

US00D500696S

(12) **United States Design Patent**
Kim

(10) **Patent No.:** **US D500,696 S**
(45) **Date of Patent:** **** Jan. 11, 2005**

(54) **PLATE GEAR FOR FLOAT GAUGE**

D431,483 S * 10/2000 Housey D10/101
6,253,609 B1 * 7/2001 Ross, Jr. et al. 73/305
6,497,145 B1 * 12/2002 Ross, Jr. 73/305

(75) Inventor: **Young Rae Kim**, Kyoungki-do (KR)

(73) Assignee: **Dymco Co., Ltd.**, Kyoungki-Do (KR)

(**) Term: **14 Years**

* cited by examiner

Primary Examiner—Antoine D. Davis

(74) *Attorney, Agent, or Firm*—Darby & Darby

(21) Appl. No.: **29/188,369**

(57) **CLAIM**

(22) Filed: **Aug. 14, 2003**

The ornamental design for an plate gear for float gauge, as shown and described.

(30) **Foreign Application Priority Data**

May 2, 2003 (KR) 30-2003-0012384

DESCRIPTION

(51) **LOC (7) Cl.** **10-04**

FIG. 1 is a perspective view of a plate gear for float guage, showing my new design;

(52) **U.S. Cl.** **D10/101**

FIG. 2 is a front elevational view thereof;

(58) **Field of Search** D10/101; 73/317,
73/305, 309, DIG. 5, 290 R, 313–314

FIG. 3 is a rear elevational view thereof;

FIG. 4 is a left side elevational view thereof;

FIG. 5 is a right side elevational view thereof;

FIG. 6 is a top plan view thereof;

FIG. 7 is a bottom plan view thereof; and,

FIG. 8 is an additional reference drawing.

The broken line showing is for illustrative purposes only and forms no part of the claimed design.

(56) **References Cited**

U.S. PATENT DOCUMENTS

5,357,815 A * 10/1994 Williamson 73/866.3
D397,630 S * 9/1998 Clifton D10/101
D413,826 S * 9/1999 Housey et al. D10/101
6,089,086 A * 7/2000 Swindler et al. 73/317
D430,050 S * 8/2000 Housey et al. D10/101

1 Claim, 5 Drawing Sheets

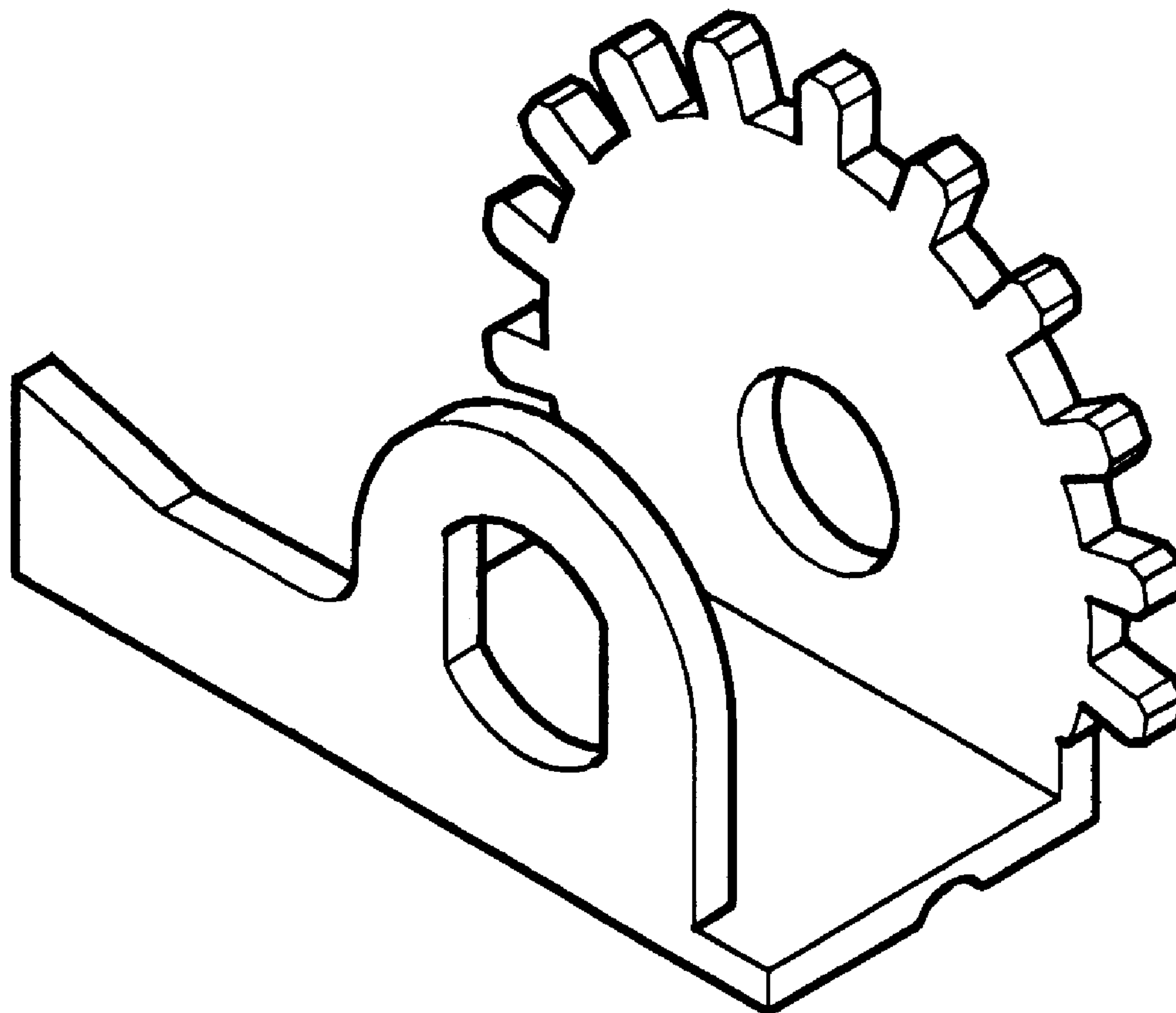


FIG 1

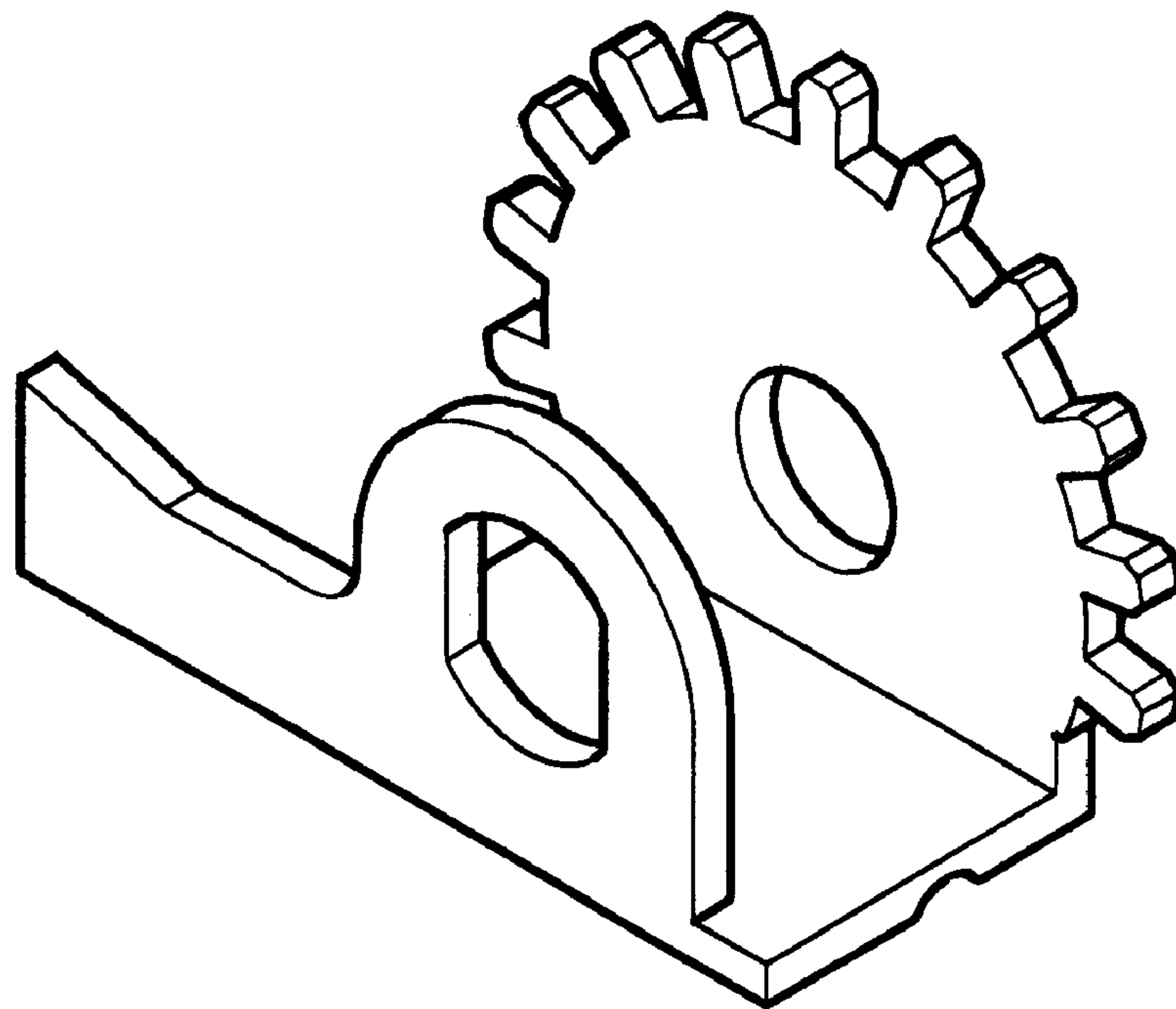


FIG 2

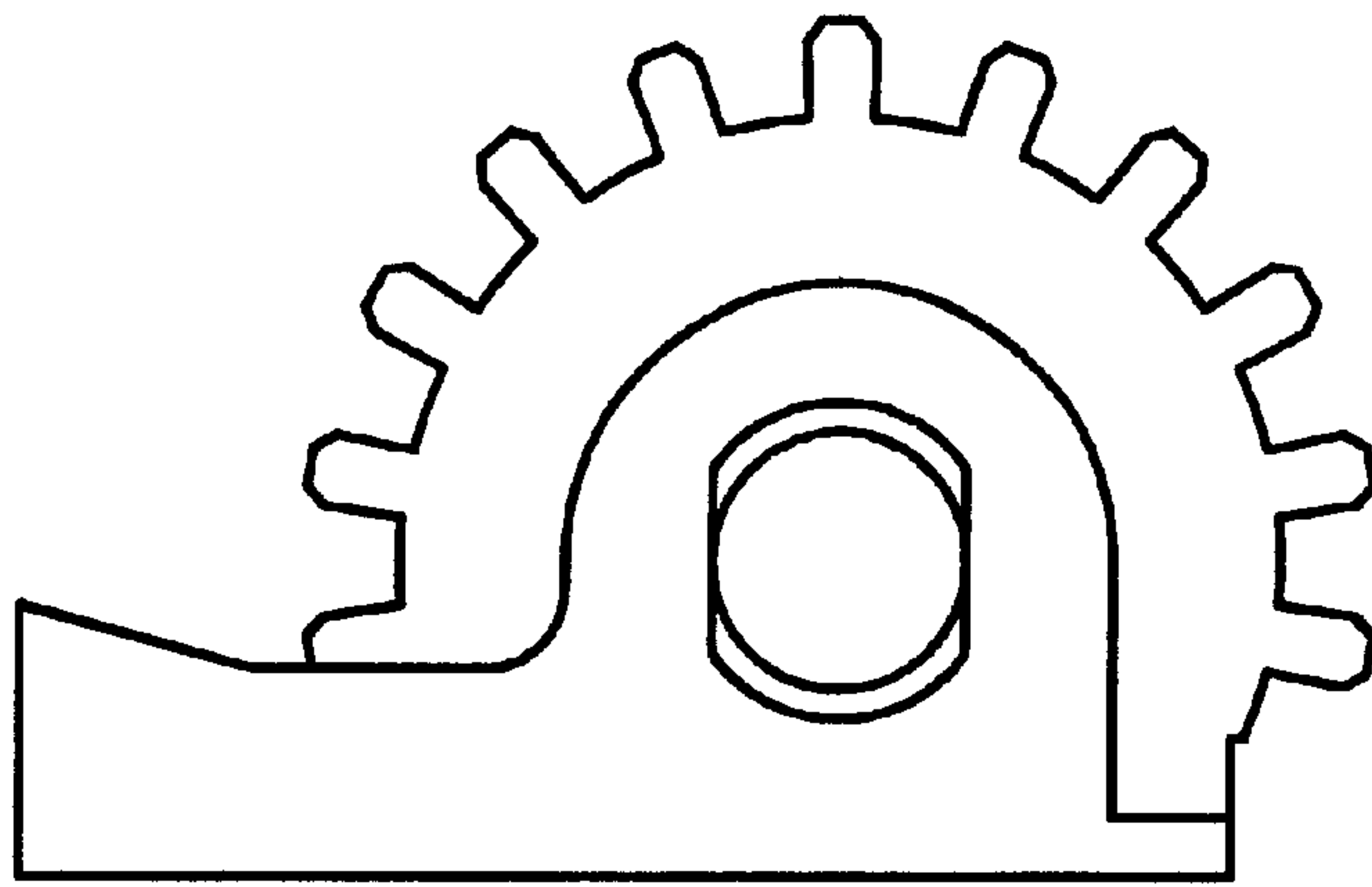


FIG 3

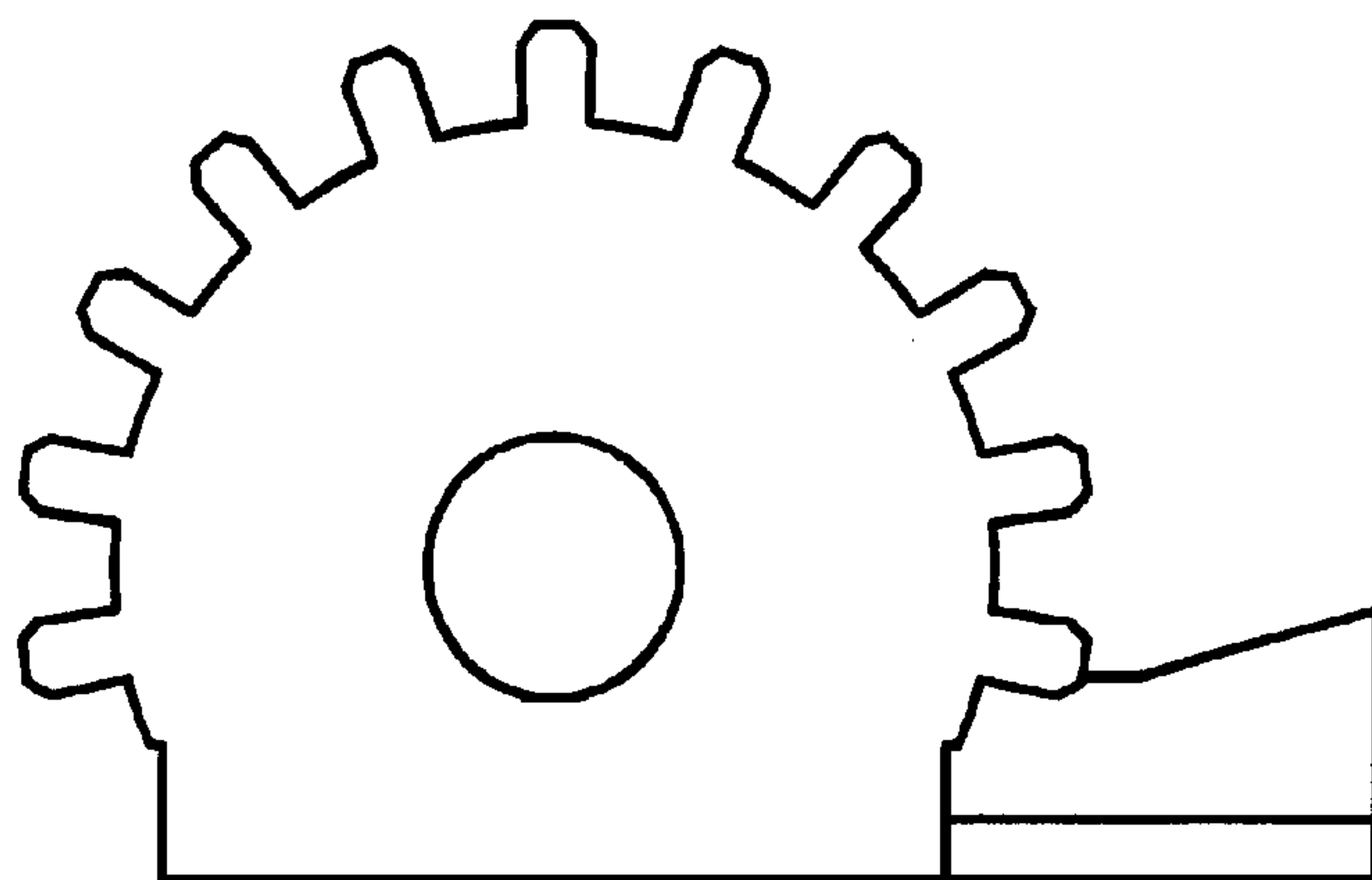


FIG 4

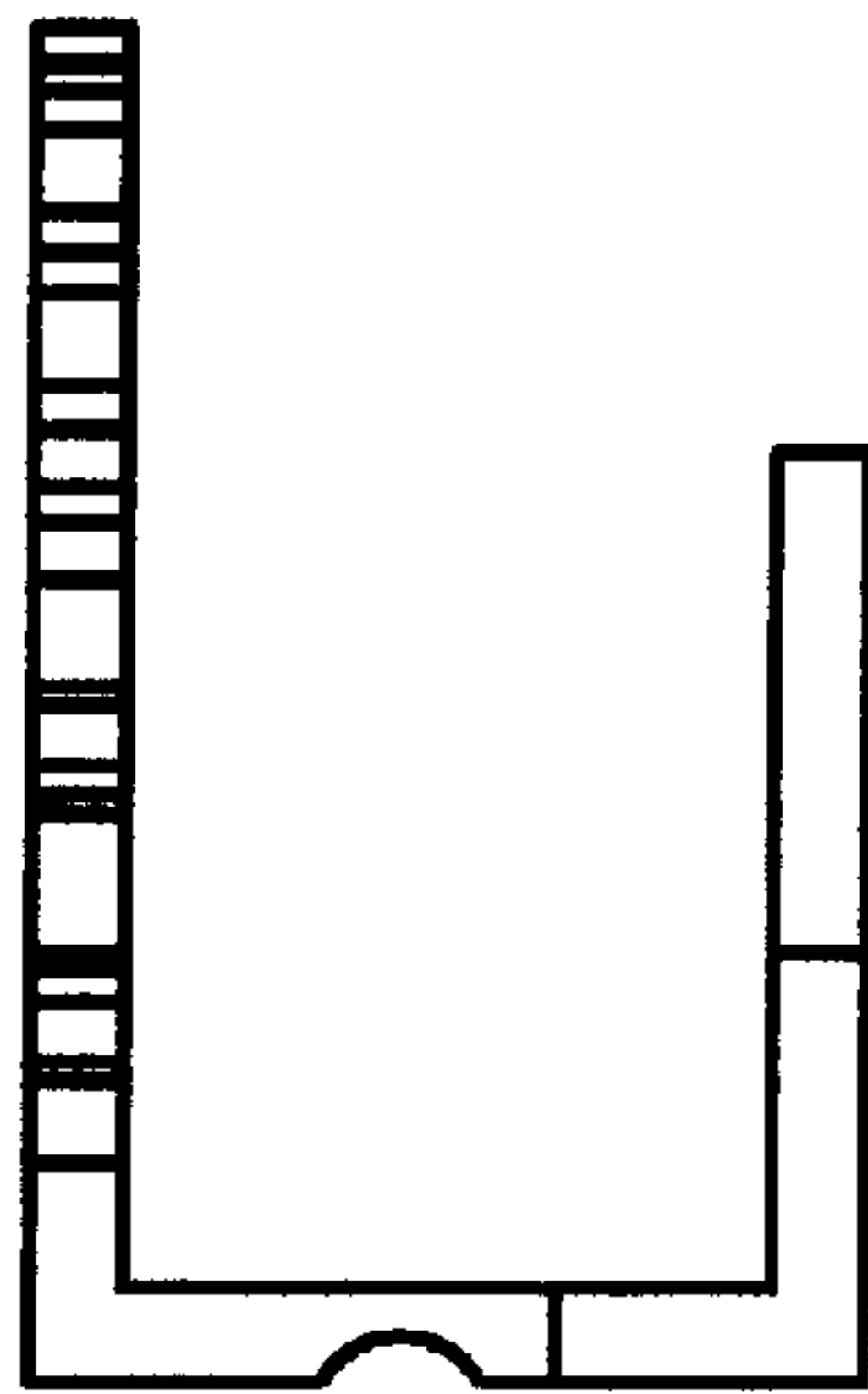


FIG 5

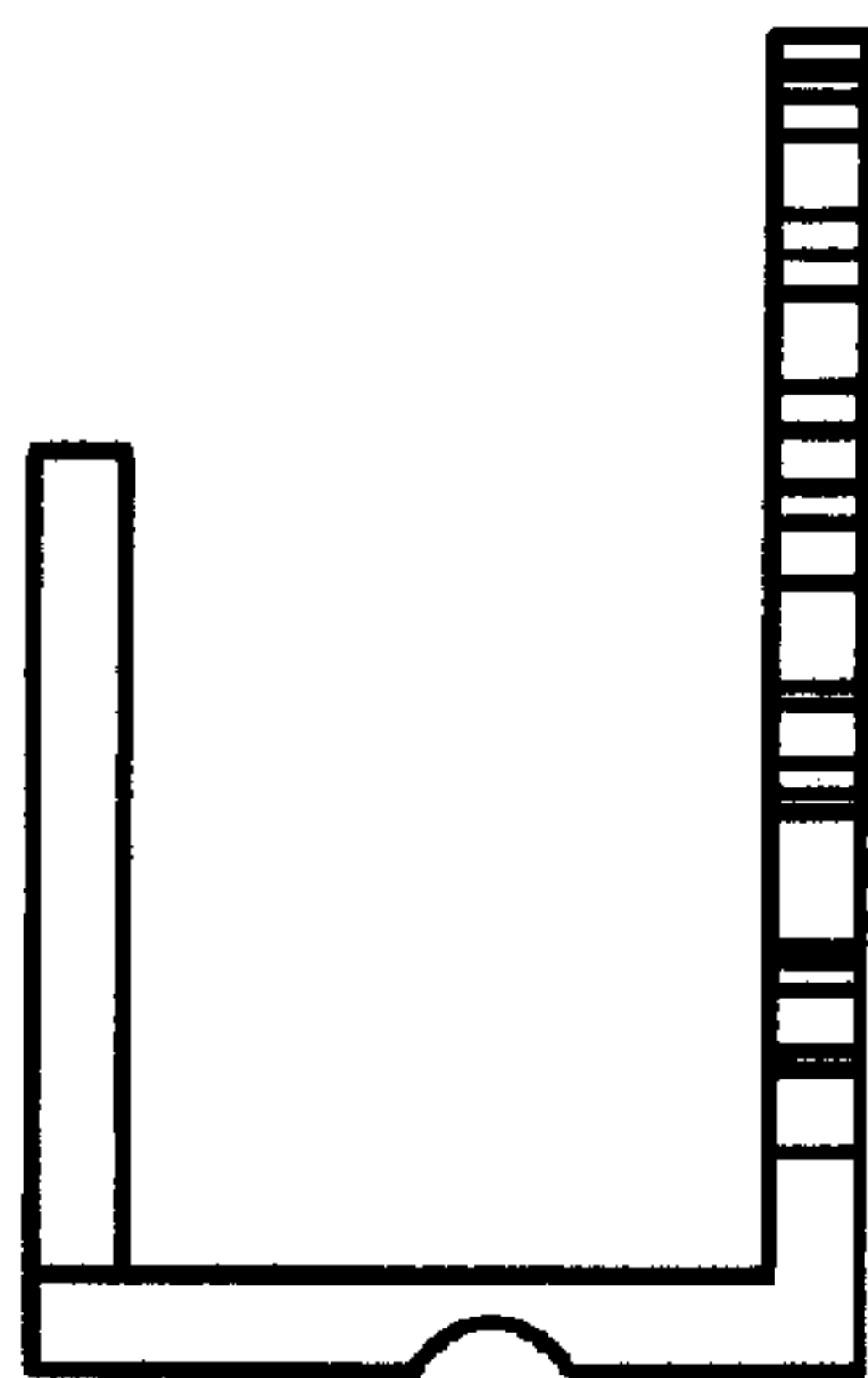


FIG 6

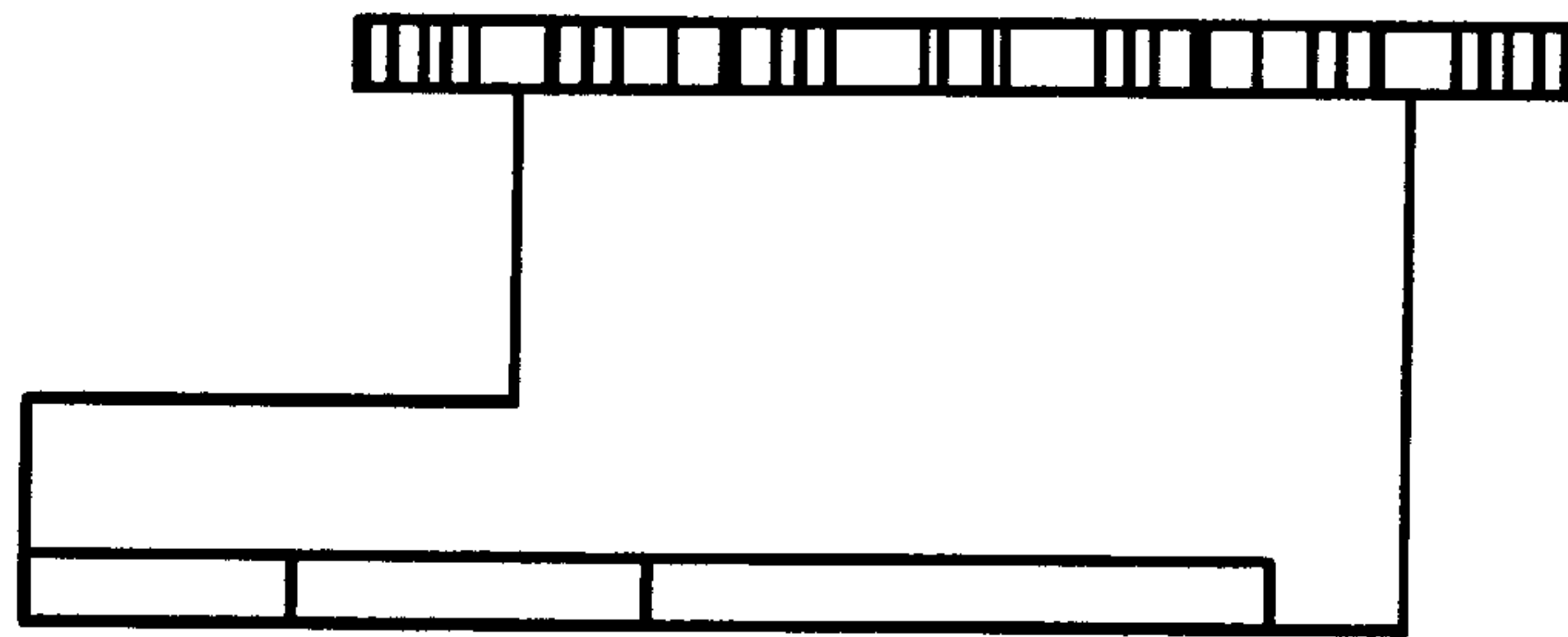


FIG 7

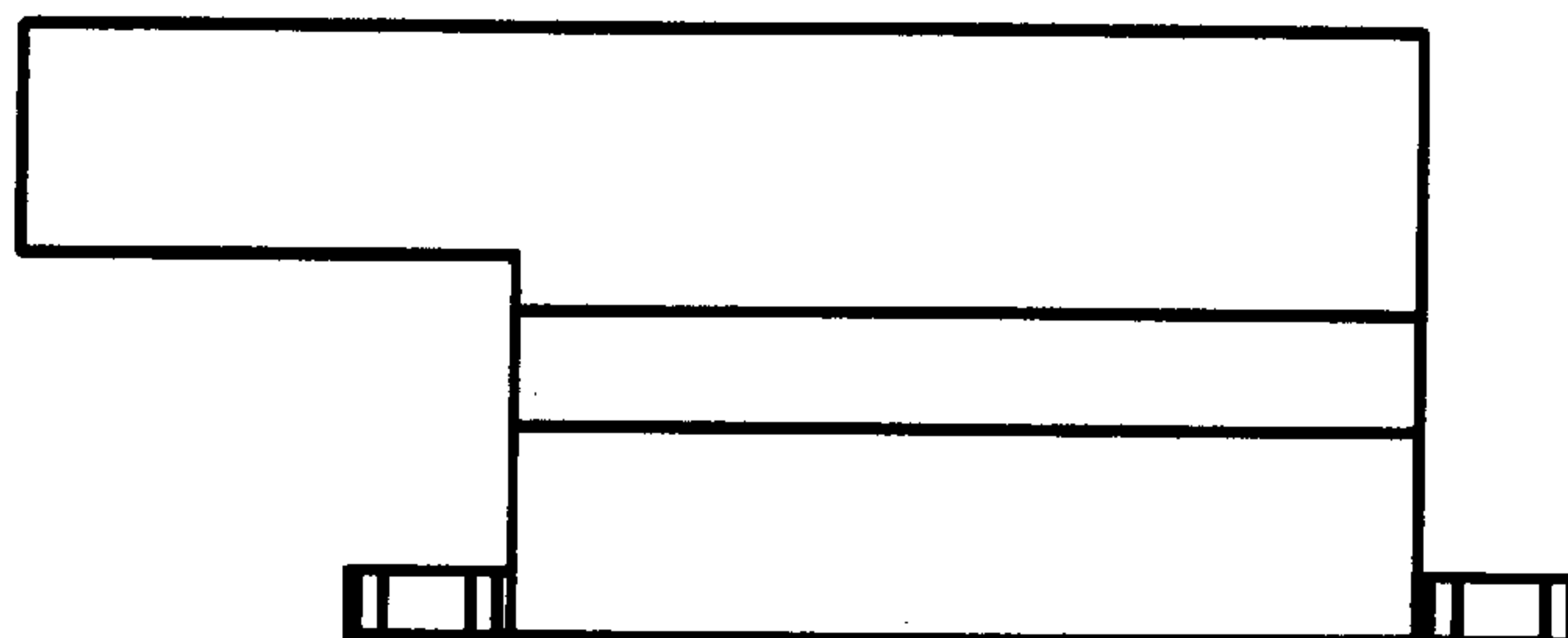


FIG 8

