



US00D500694S

(12) **United States Design Patent**
Wrisley et al.

(10) **Patent No.:** **US D500,694 S**
(45) **Date of Patent:** **** Jan. 11, 2005**

(54) **HOUSING FOR TEST AND MEASUREMENT INSTRUMENTS**

DESCRIPTION

(75) Inventors: **Jerry L. Wrisley**, Beaverton, OR (US);
James H. McGrath, Aloha, OR (US);
Robert R. Kreitzer, Tigard, OR (US);
Jim L. Martin, Tigard, OR (US)

(73) Assignee: **Tektronix, Inc.**, Beaverton, OR (US)

(**) Term: **14 Years**

(21) Appl. No.: **29/204,621**

(22) Filed: **Apr. 30, 2004**

(51) **LOC (7) Cl.** **10-04**

(52) **U.S. Cl.** **D10/76**

(58) **Field of Search** D10/76, 78, 80;
324/102, 112, 121 R; 340/734, 747, 798;
354/487

The ornamental design disclosed in this application is for a housing for test and measurement instruments, such as oscilloscopes, logic analyzers, waveform generators, and the like. The housing has a substantially rectangular front face with a substantially rectangular opening disposed in a portion thereof, side surfaces having a curved top edges, and a top surface having curved surfaces adjacent to the curved top edges of the side surfaces that transition to a substantially flat surface extending from the front face to the rear surface, and protrusions extending over the corners of the rectangular front face and extending partially along top, bottom and sides surfaces of the housing. Each protrusion has at least a first channel formed on the top surface, the bottom surface and the side surfaces. A recessed handle is flush with the top surface and a portion of the rear surface.

FIG. 1 is a perspective view of a housing for test and measurement instruments;

FIG. 2 is a front elevation view of the housing for test and measurement instruments;

FIG. 3 is a left side elevation view of the housing for test and measurement instruments;

FIG. 4 is a right side elevation view of the housing for test and measurement instruments;

FIG. 5 is a top plan view of the housing for test and measurement instruments;

FIG. 6 is a bottom plan view of the housing for test and measurement instruments; and,

FIG. 7 is a rear elevation view of the housing for test and measurement instruments.

(56) **References Cited**

U.S. PATENT DOCUMENTS

D413,823 S	*	9/1999	Dobyns et al.	D10/76
D420,607 S		2/2000	Wrisley		
D460,371 S	*	7/2002	Wrisley et al.	D10/78
D460,703 S	*	7/2002	Wrisley et al.	D10/78
6,437,552 B1	*	8/2002	Sekel et al.	324/72.5
D472,171 S	*	3/2003	Wrisley et al.	D10/76

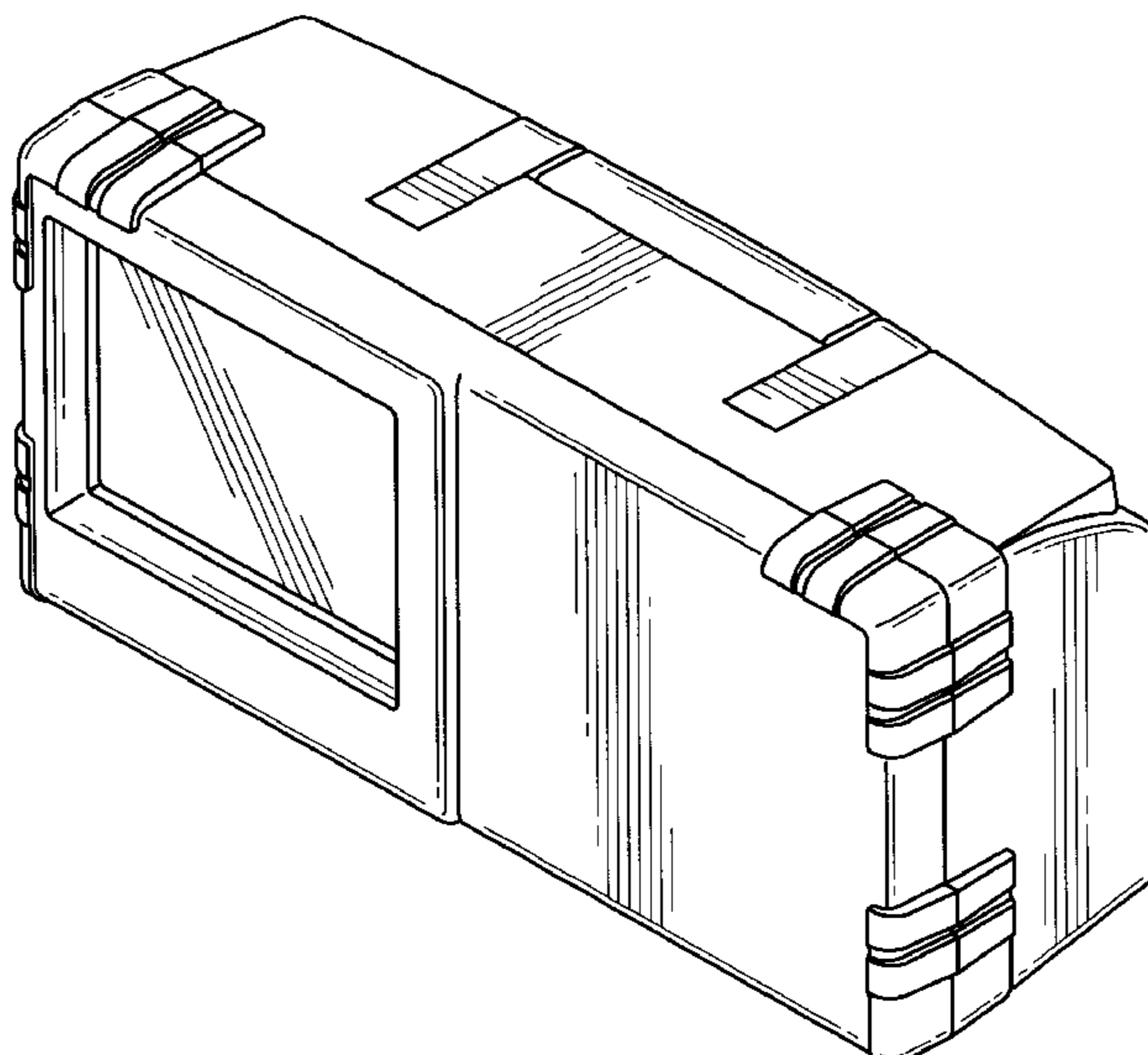
* cited by examiner

Primary Examiner—Antoine D. Davis
(74) *Attorney, Agent, or Firm*—William K. Bucher

(57) **CLAIM**

The ornamental design of a housing for test and measurement instruments, as shown and described.

1 Claim, 6 Drawing Sheets



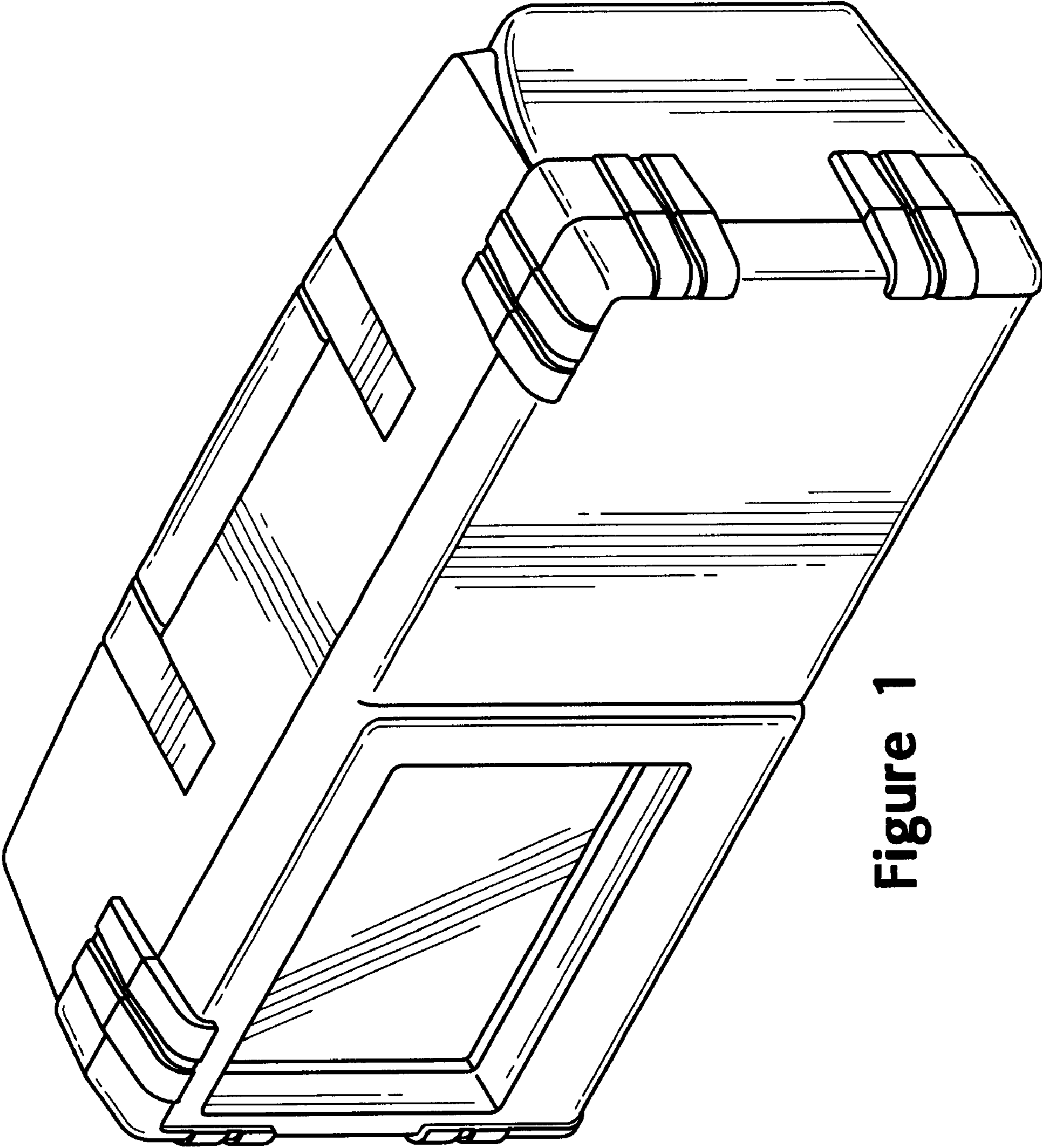


Figure 1

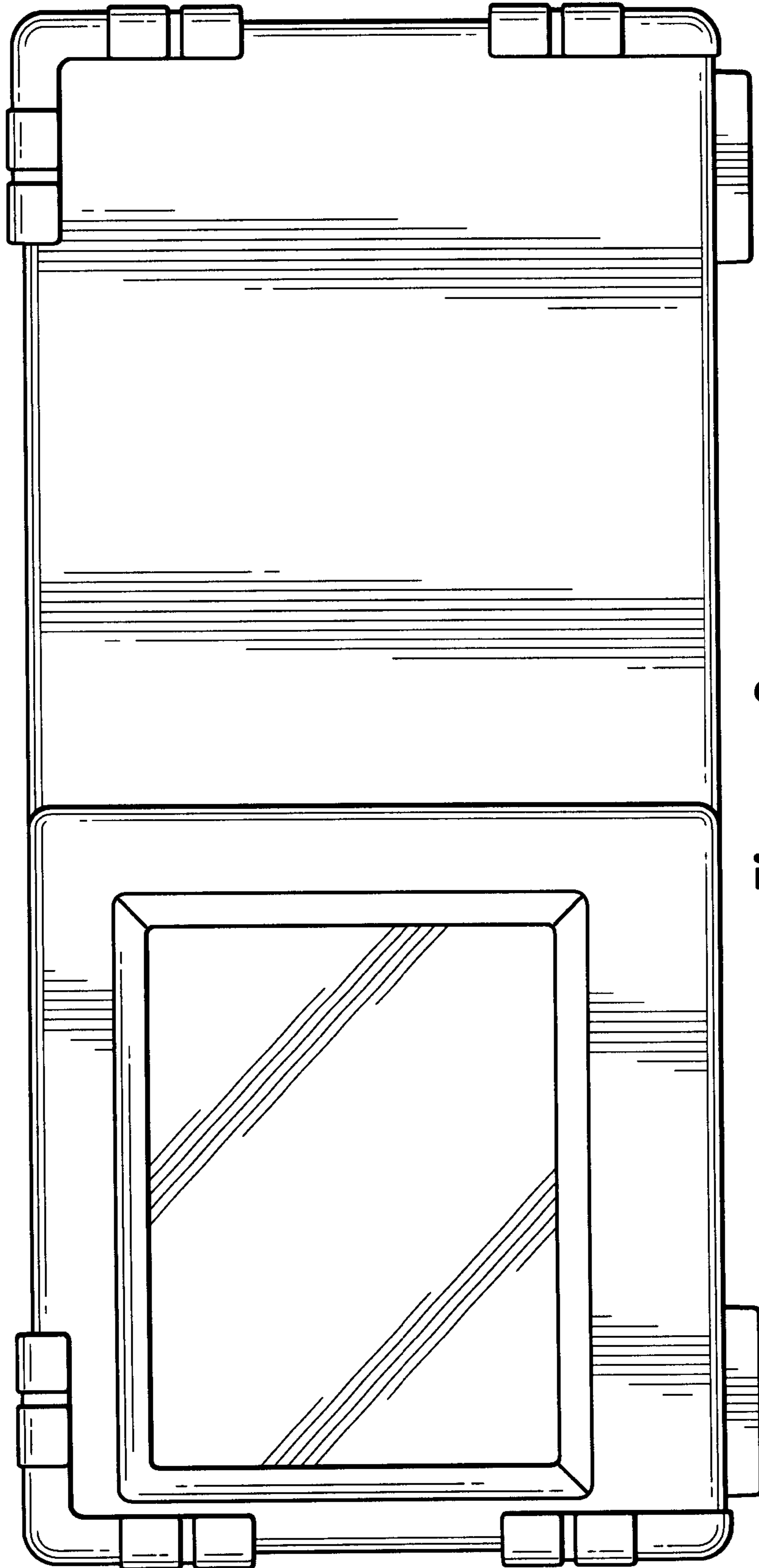


Figure 2

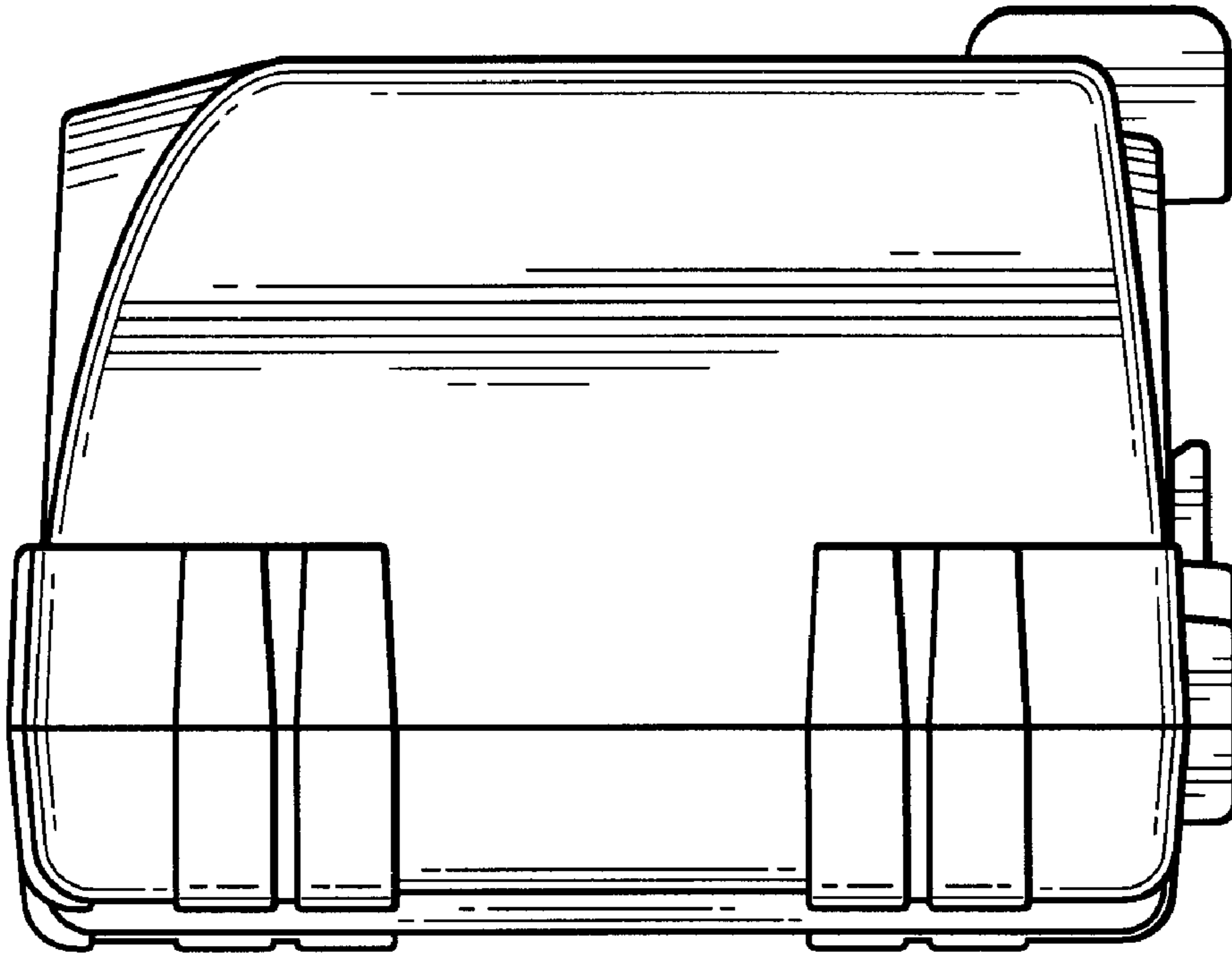


Figure 4

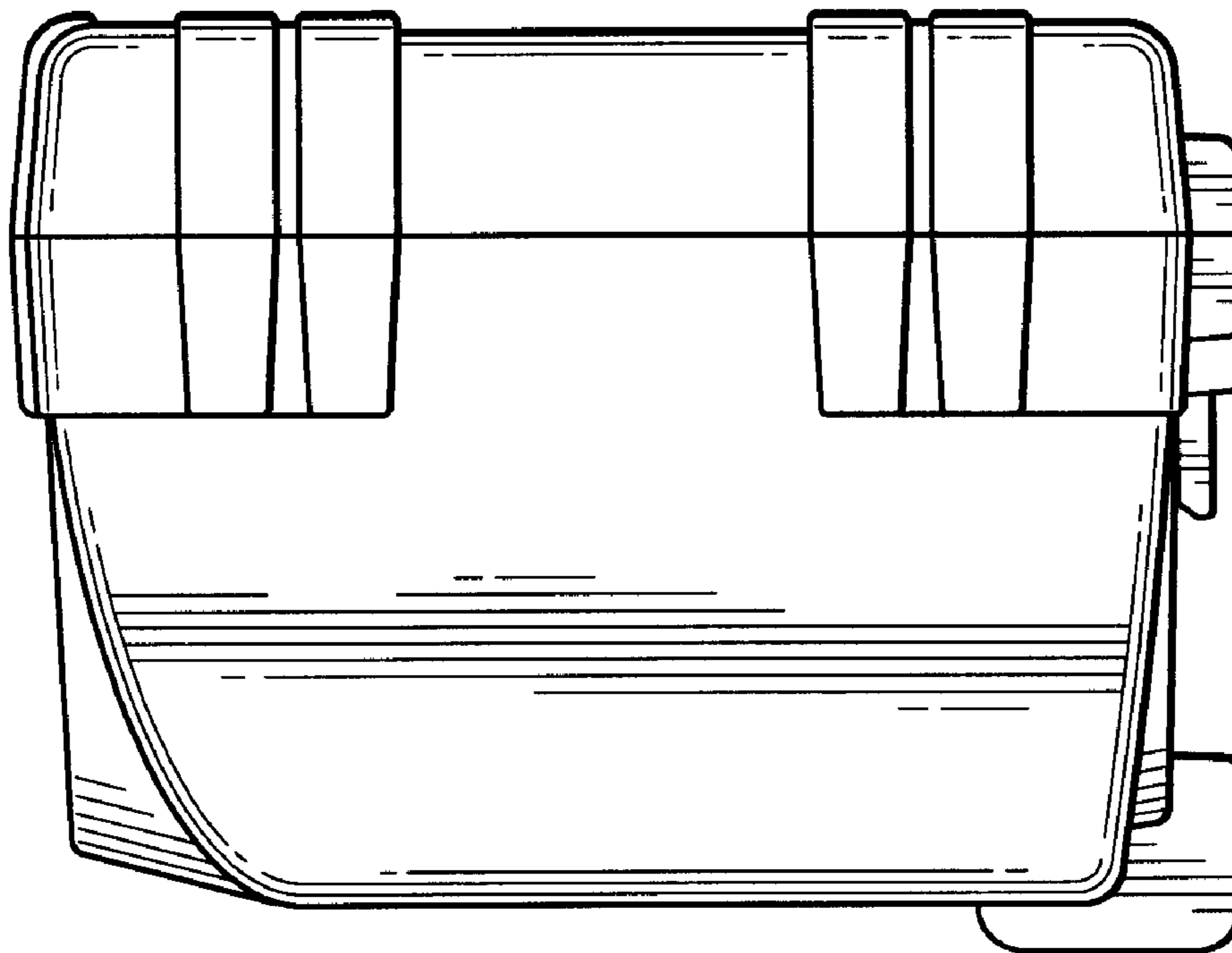


Figure 3

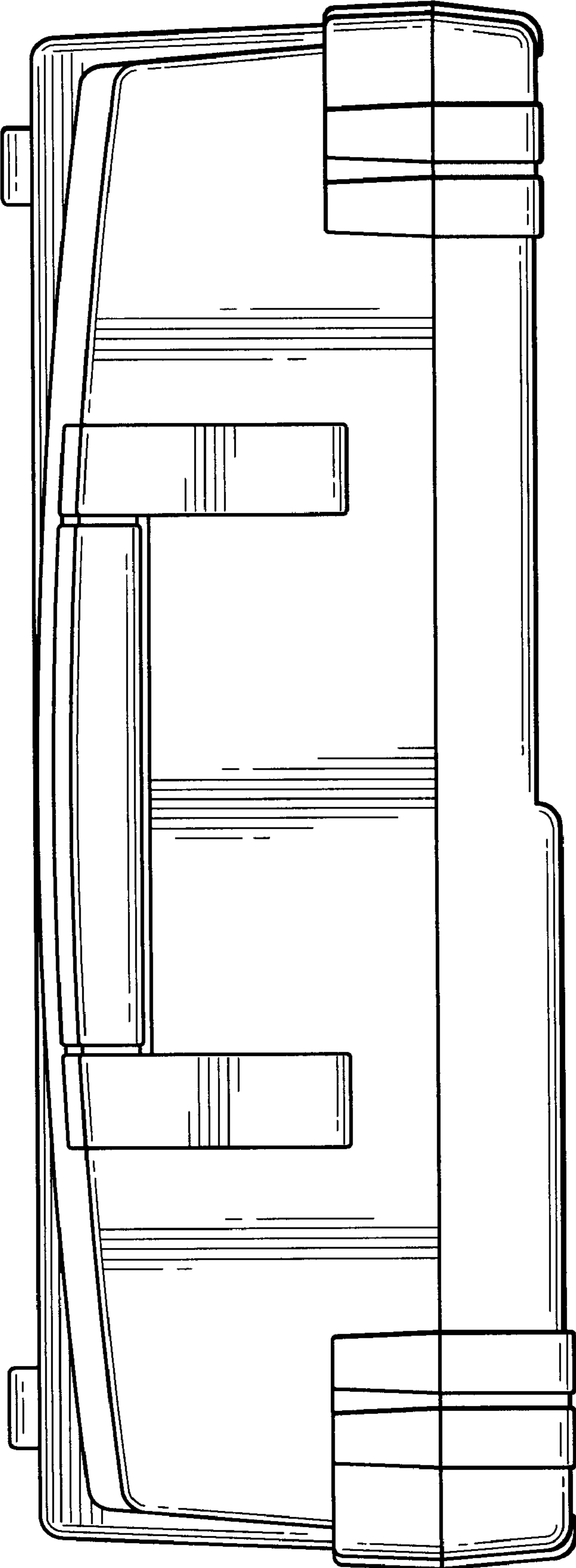


Figure 5

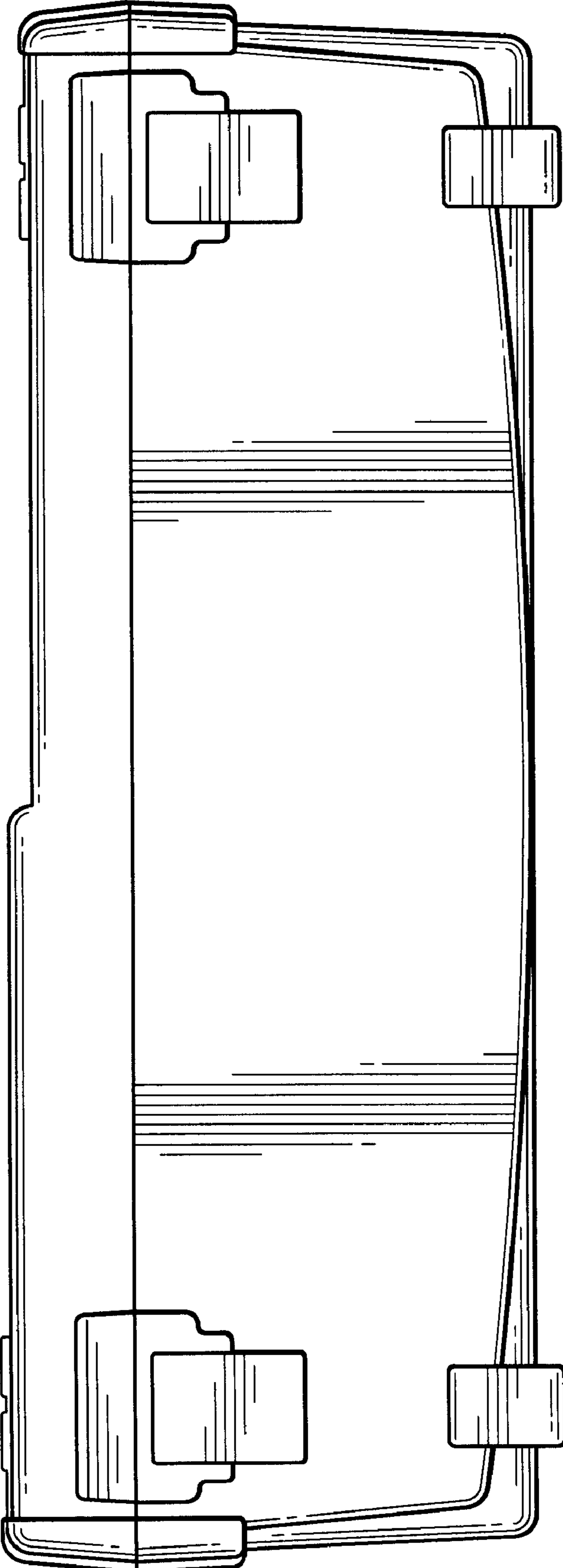


Figure 6

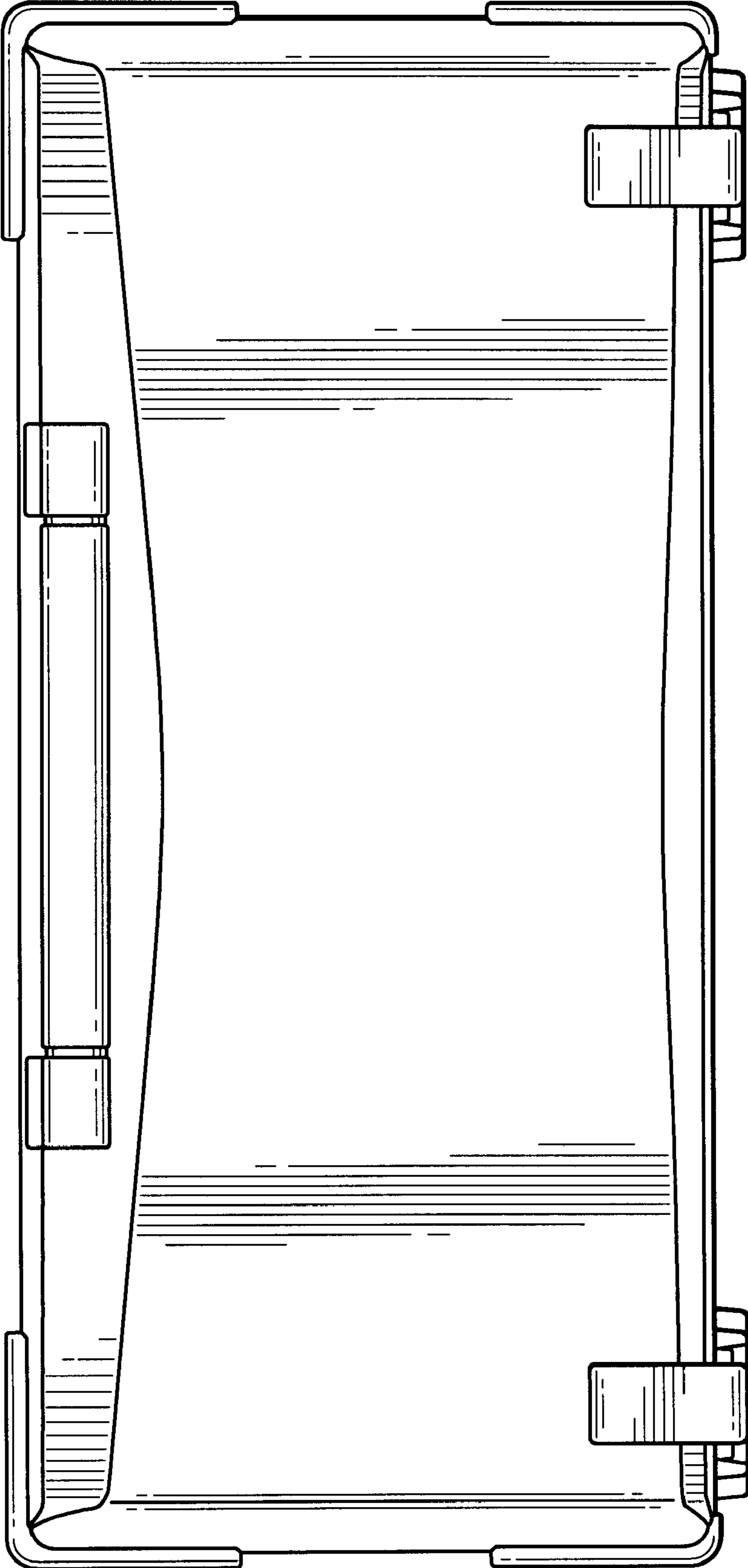


Figure 7