



US00D500692S

(12) **United States Design Patent**
Olson et al.

(10) **Patent No.:** **US D500,692 S**
(45) **Date of Patent:** **** Jan. 11, 2005**

(54) **WHEELED DISTANCE MEASURING DEVICE**

(75) Inventors: **R. Brian Olson**, Naperville, IL (US);
Robert E. Hutchison, Naperville, IL (US)

(73) Assignee: **Keson Industires, Inc.**, Aurora, IL (US)

(**) Term: **14 Years**

(21) Appl. No.: **29/174,455**

(22) Filed: **Jan. 17, 2003**

(51) **LOC (7) Cl.** **10-04**

(52) **U.S. Cl.** **D10/70**

(58) **Field of Search** D10/70; 33/779-782,
33/772-778

(56) **References Cited**

U.S. PATENT DOCUMENTS

2,614,330 A	*	10/1952	Cederholm	33/782
D437,796 S	*	2/2001	Risi	D10/70
D467,189 S	*	12/2002	Stoneberg	D10/70
2002/0124424 A1	*	9/2002	Airey et al.	33/320

OTHER PUBLICATIONS

Copy of page from Rolatape Corporation web site www.rolatape.com Dec. 26, 2002.

1999 Keson Corporation catalog.

* cited by examiner

Primary Examiner—Antoine D. Davis

(74) *Attorney, Agent, or Firm*—Wood, Phillips, Katz, Clark & Mortimer

(57) **CLAIM**

The ornamental design of a wheeled distance measuring device, as shown and described.

DESCRIPTION

FIG. 1 is a front, top and side perspective view of our wheeled distance measuring device design;

FIG. 2 is a front elevation view of our wheeled distance measuring device design;

FIG. 3 is a rear elevation view of our wheeled distance measuring device design;

FIG. 4 is an elevation view of our wheeled distance measuring device design from the same side as in FIG. 1;

FIG. 5 is an elevation view of our wheeled distance measuring device design from the side opposite that in FIG. 4;

FIG. 6 is a plan view of our wheeled distance measuring device design; and,

FIG. 7 is a bottom view of our wheeled distance measuring device design.

The portions of the wheeled distance measuring device shown in dotted lines do not constitute a part of the claimed design.

1 Claim, 4 Drawing Sheets

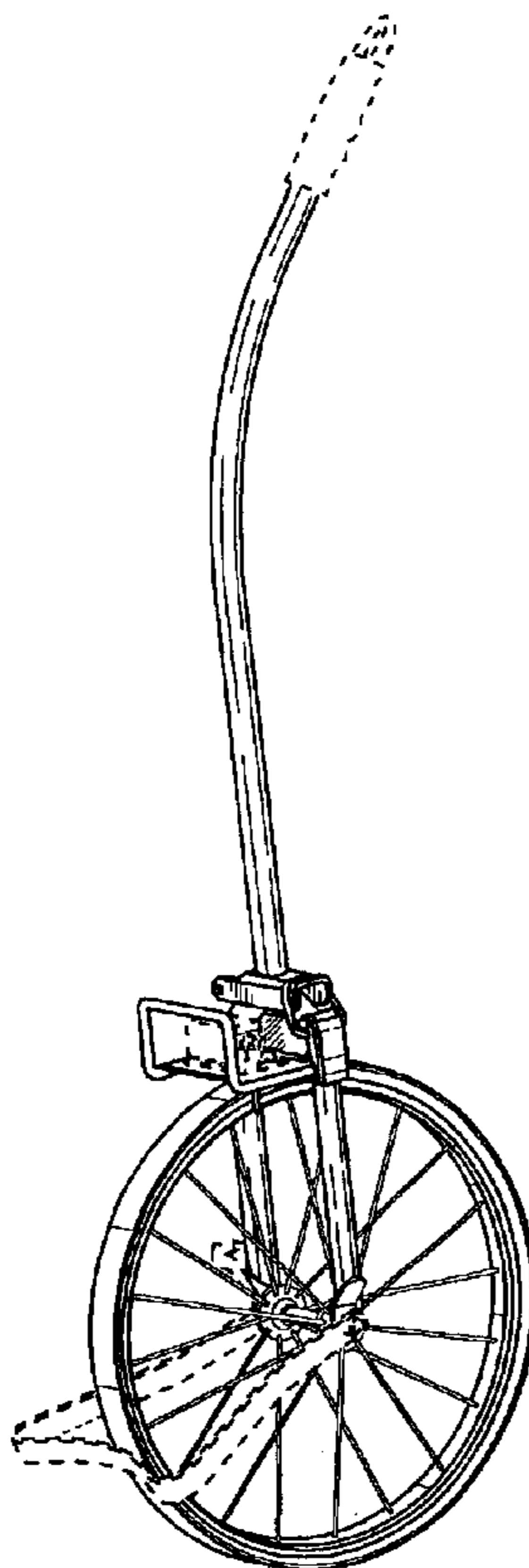


Fig. 1

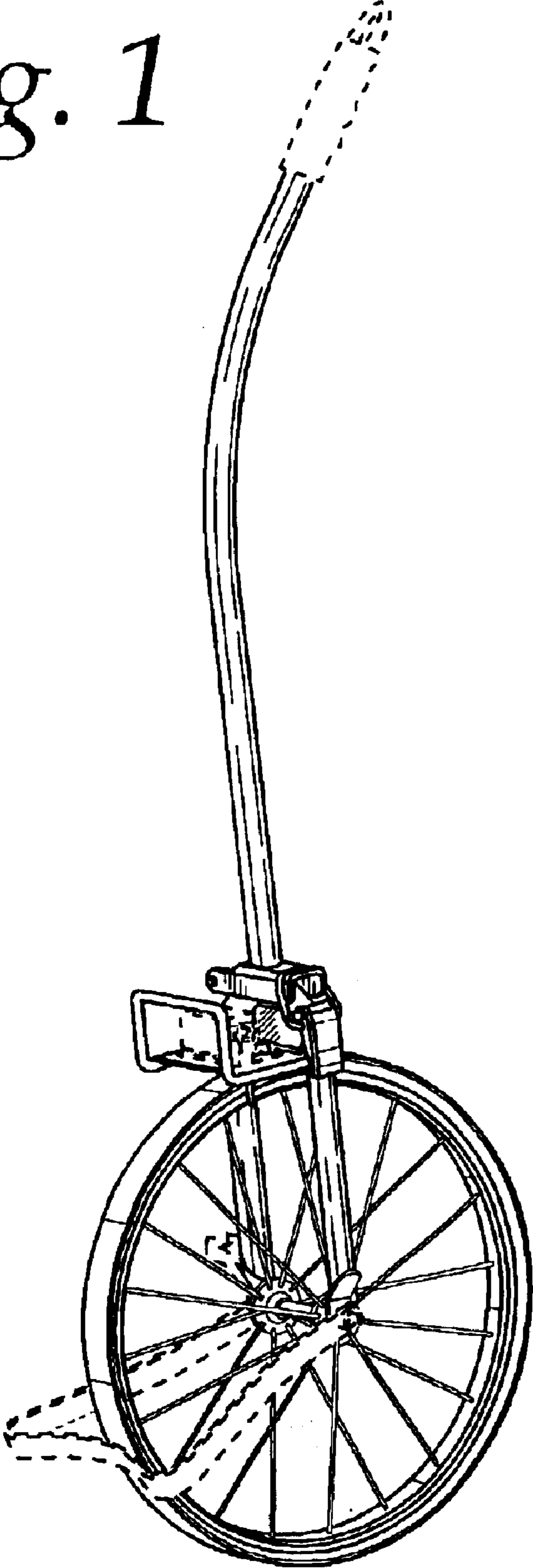


Fig. 2

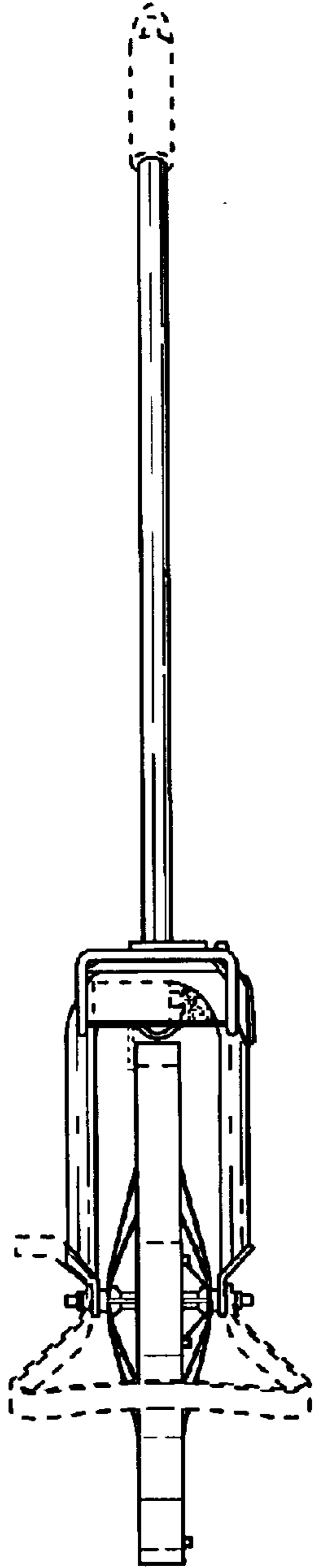


Fig. 3

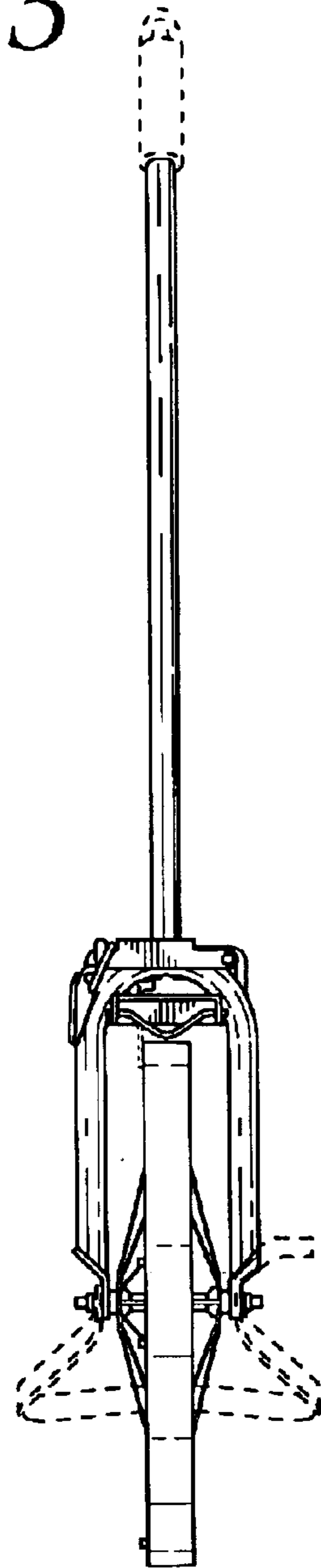


Fig. 4

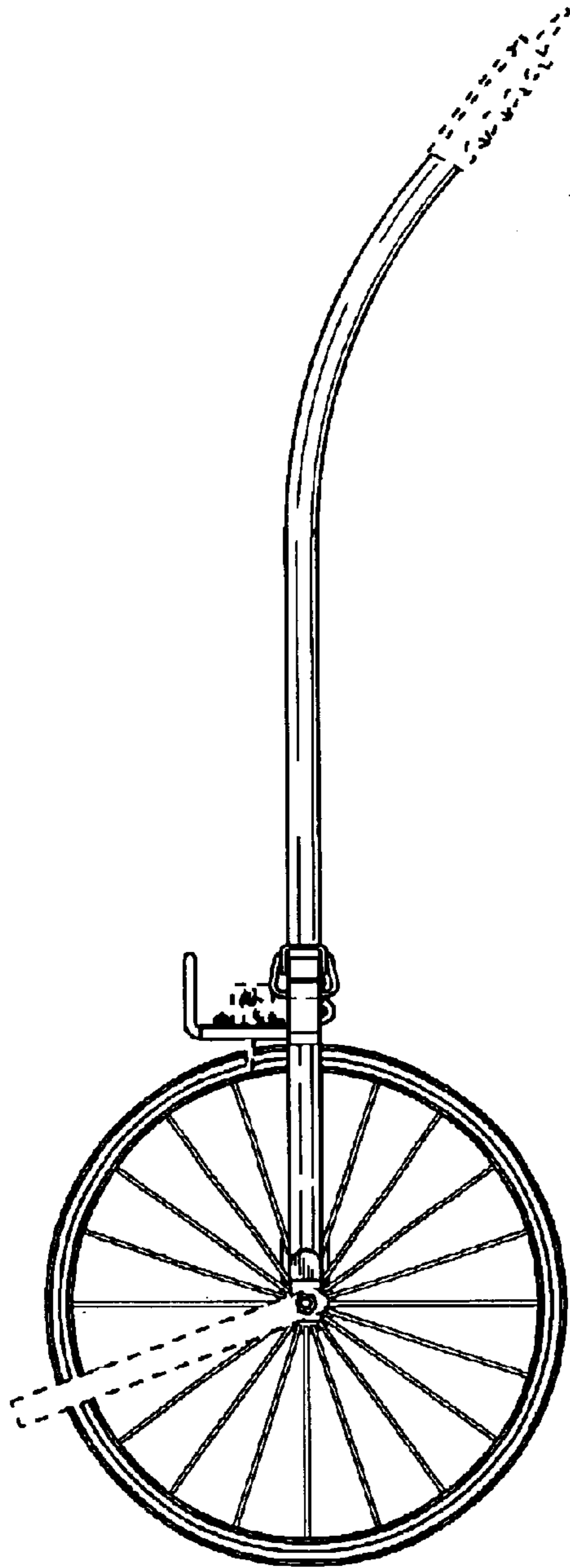


Fig. 5

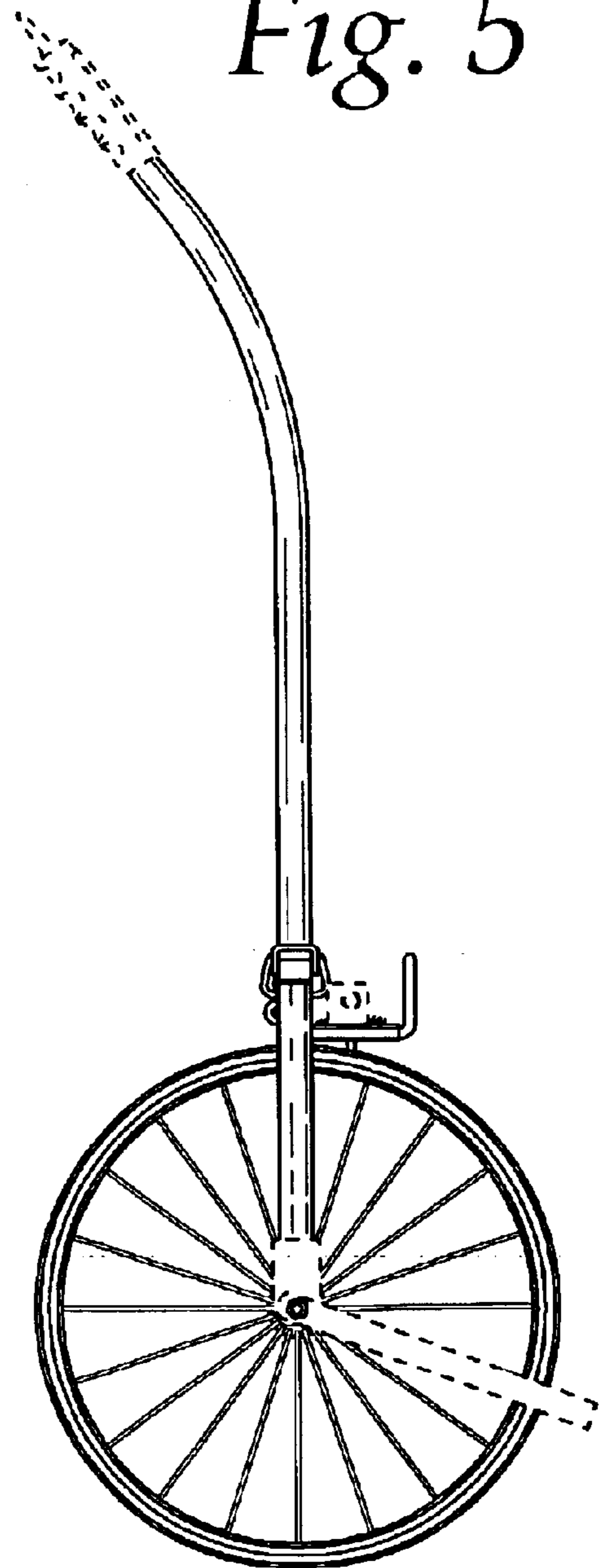


Fig. 6

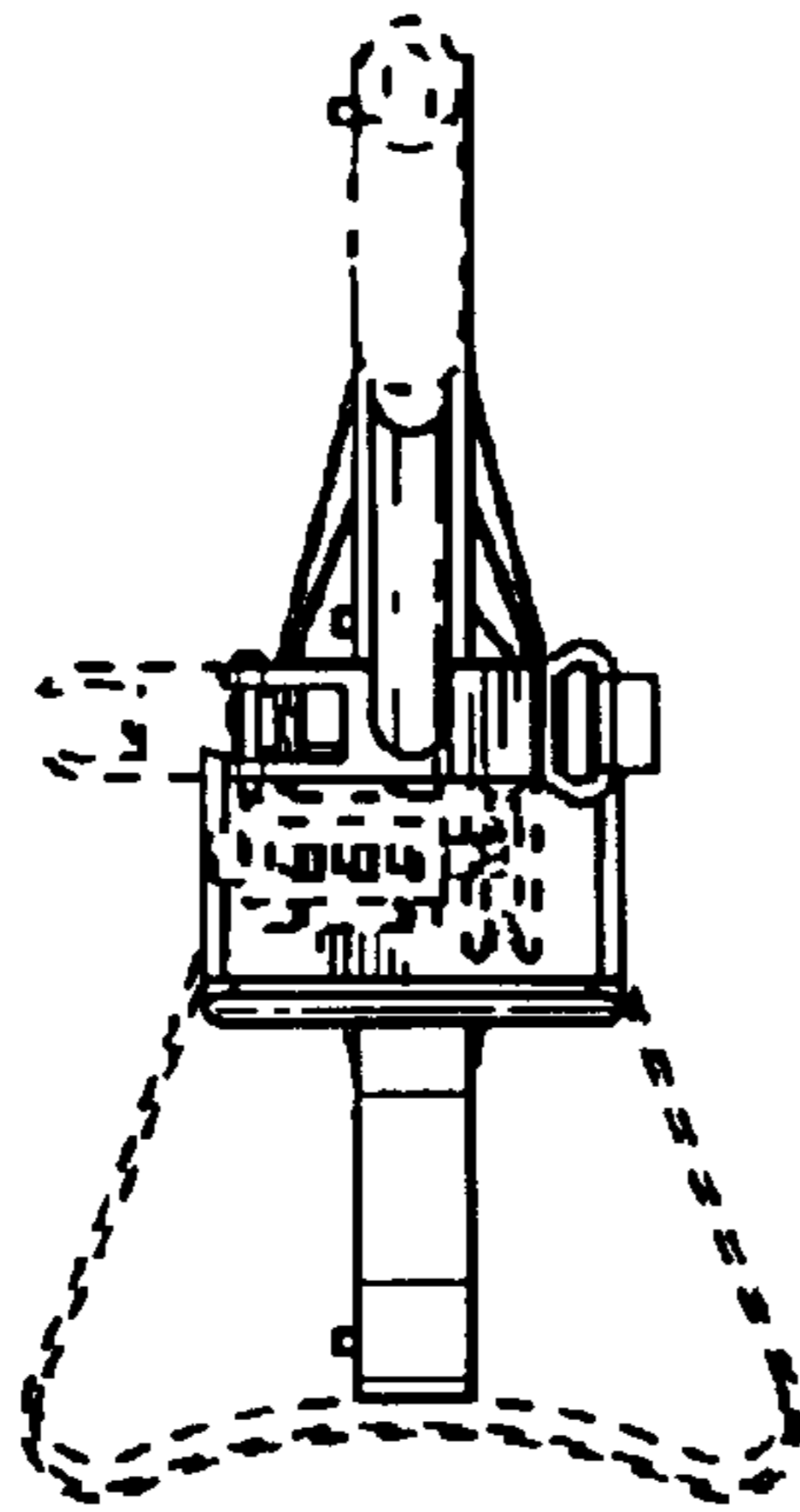


Fig. 7

