

US00D500683S

(12) **United States Design Patent**
Sabarthes et al.

(10) **Patent No.: US D500,683 S**
(45) **Date of Patent: ** Jan. 11, 2005**

(54) **WATCH**

(75) Inventors: **Jean-Christophe Sabarthes**, Marseilles (FR); **Xavier Luvison**, Marseilles (FR); **Marc Alfieri**, Cabries (FR)

(73) Assignee: **Kronotype (SARL)**, Venelles (FR)

(**) Term: **14 Years**

(21) Appl. No.: **29/183,202**

(22) Filed: **Jun. 9, 2003**

(30) **Foreign Application Priority Data**

Apr. 1, 2003 (FR) 21340

(51) **LOC (7) Cl.** **10-02**

(52) **U.S. Cl.** **D10/39; D10/30**

(58) **Field of Search** D10/1-40, 122-132;
368/280-282, 276-277, 285, 294-295

(56) **References Cited**

U.S. PATENT DOCUMENTS

2,594,877 A	*	4/1952	Crockett	368/65
D327,022 S	*	6/1992	Bulgari	D10/39
D333,988 S	*	3/1993	Dumas	D10/30
D350,291 S	*	9/1994	Burgener	D10/39
D357,192 S	*	4/1995	Schneider	D10/32
D365,994 S	*	1/1996	Brennan	D10/32
D378,805 S	*	4/1997	Riley	D10/30
D447,705 S	*	9/2001	Scheufele	D10/39

D467,820 S	*	12/2002	Berliat	D10/39
D473,476 S	*	4/2003	Roden	D10/32
D473,477 S	*	4/2003	Roden	D10/32

* cited by examiner

Primary Examiner—Nelson C. Holtje

(74) *Attorney, Agent, or Firm*—Harrison & Egbert

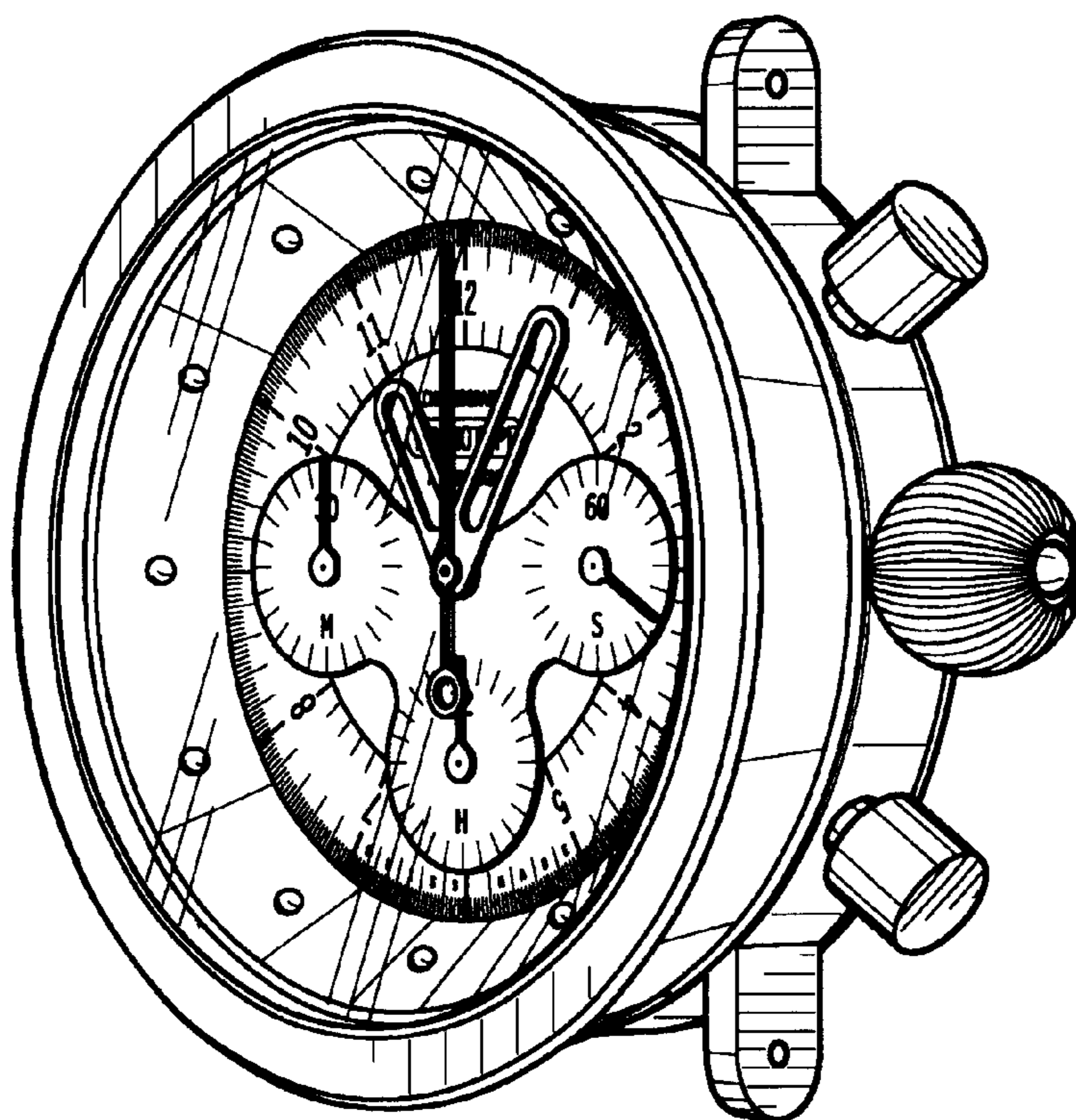
(57) **CLAIM**

I claim the ornamental design for a watch, as shown and described.

DESCRIPTION

FIG. 1 is a front plan view of the watch showing my design.
 FIG. 2 is a back view thereof;
 FIG. 3 is a side perspective view thereof;
 FIG. 4 is a top view thereof, a bottom view being a mirror image thereof;
 FIG. 5 is a right side plan view thereof;
 FIG. 6 is a left side plan view thereof;
 FIG. 7 is a right side view thereof with a first watch band attachment;
 FIG. 8 is a front elevational view of FIG. 7;
 FIG. 9 is a right side view thereof, with a second watch band attachment; and,
 FIG. 10 is a front elevational view of FIG. 9.
 The broken line showings of wrist bands in FIGS. 7-10 are environmental only and form no part of the claimed design.

1 Claim, 4 Drawing Sheets



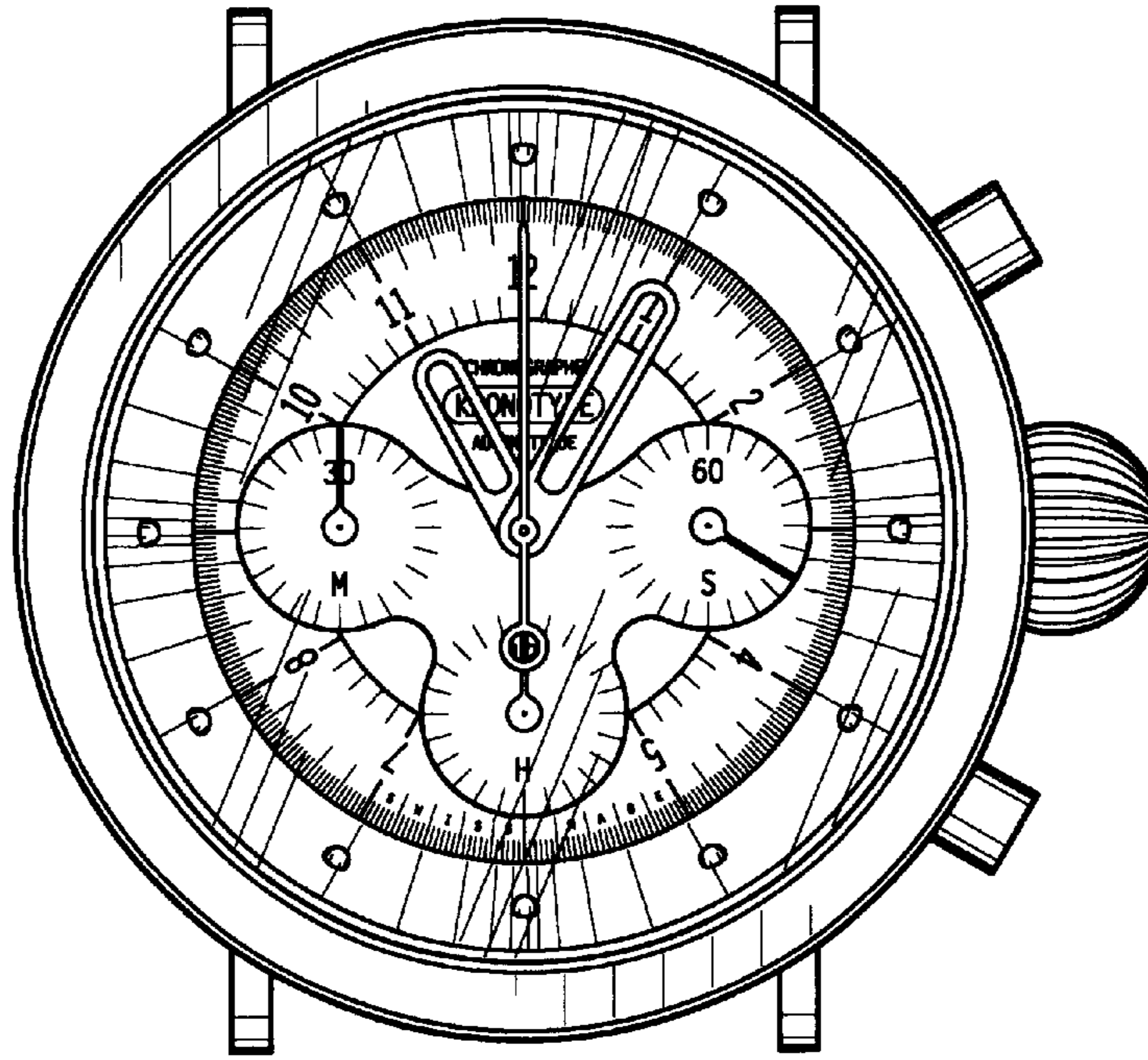


FIG. 1

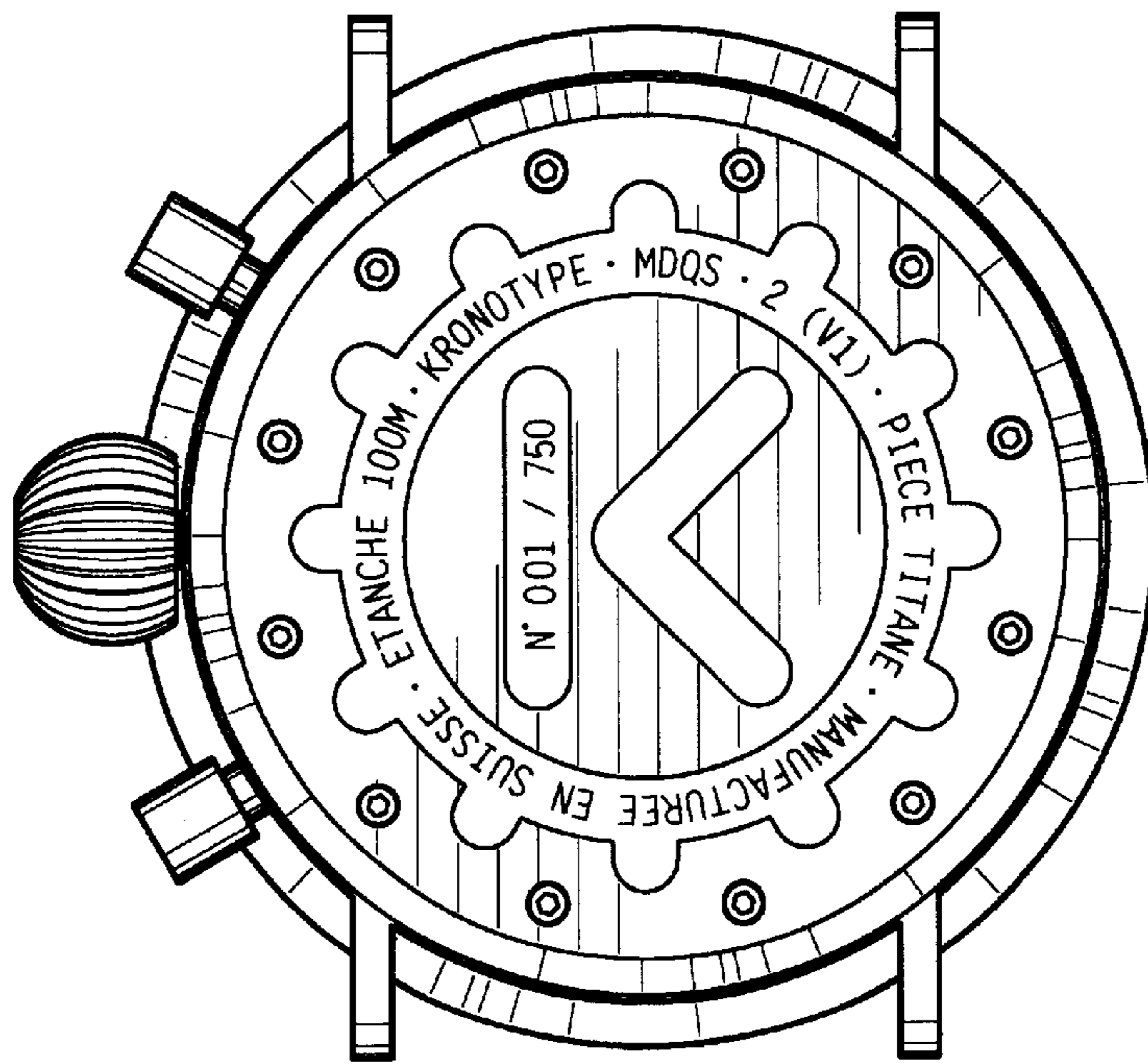


FIG. 2

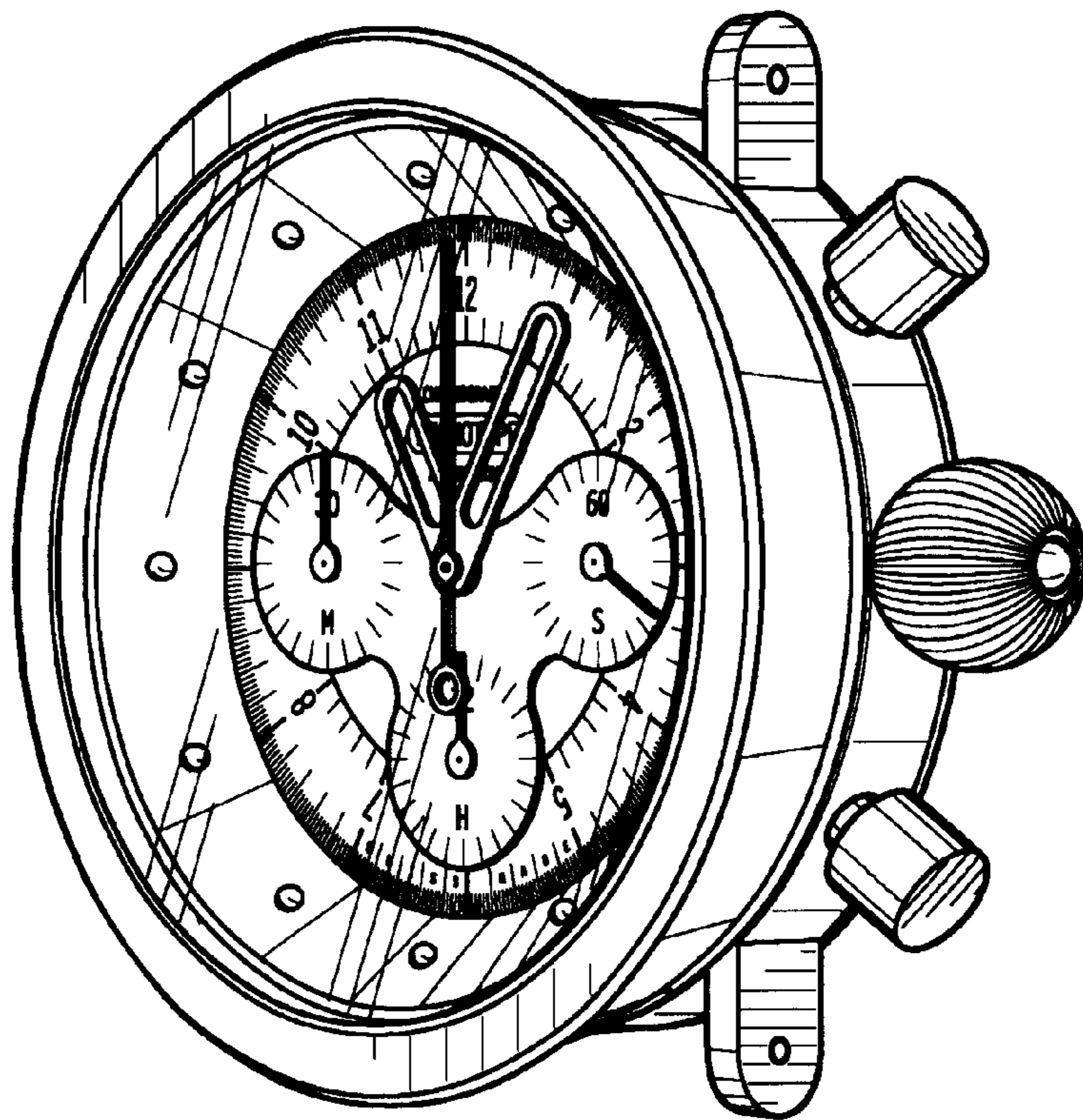


FIG. 3

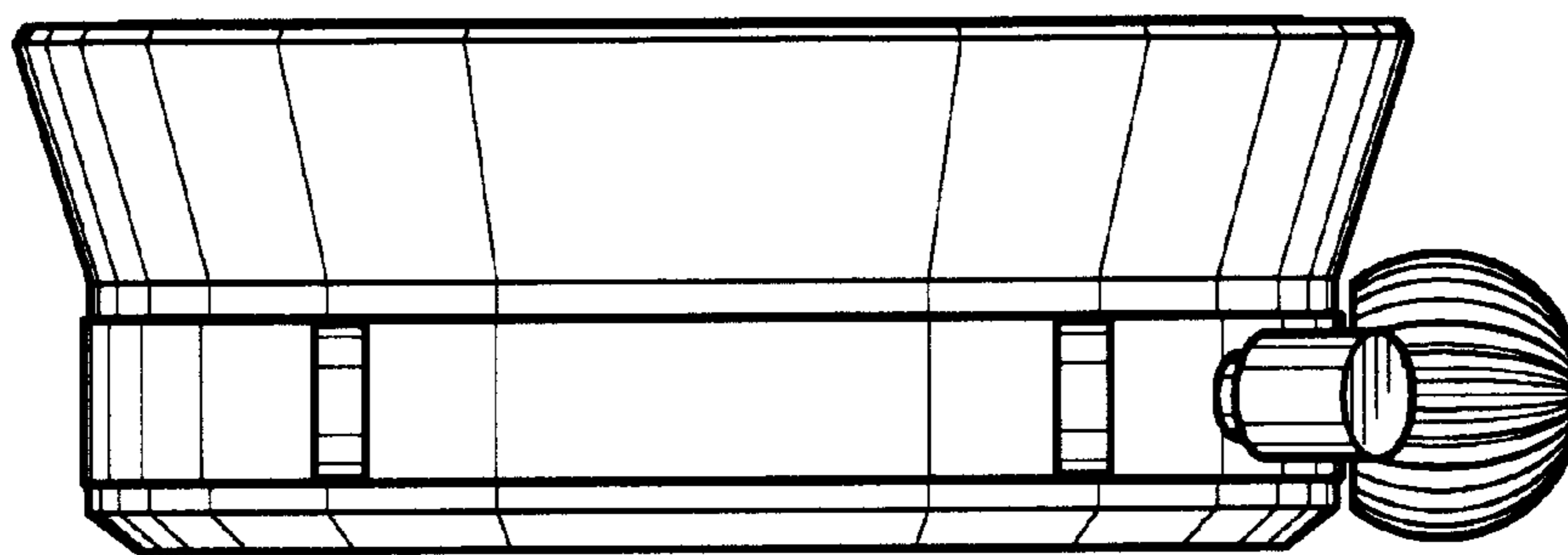


FIG. 4

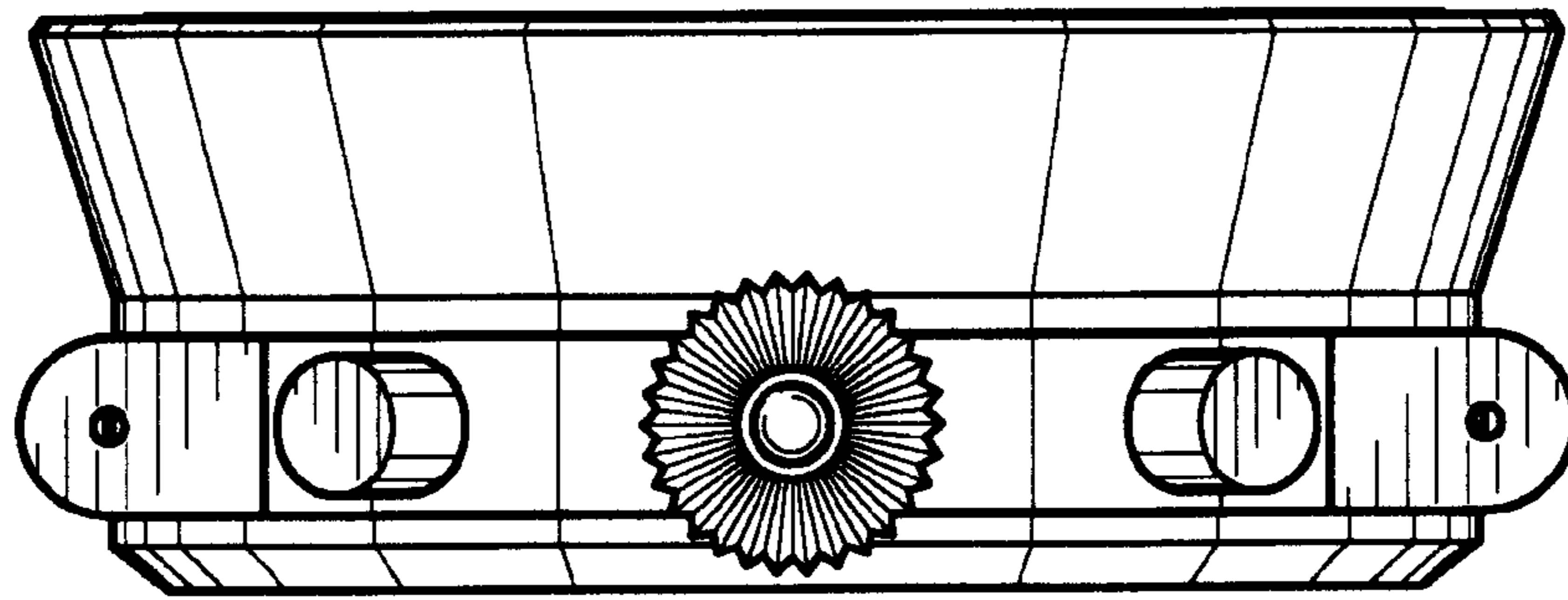


FIG. 5

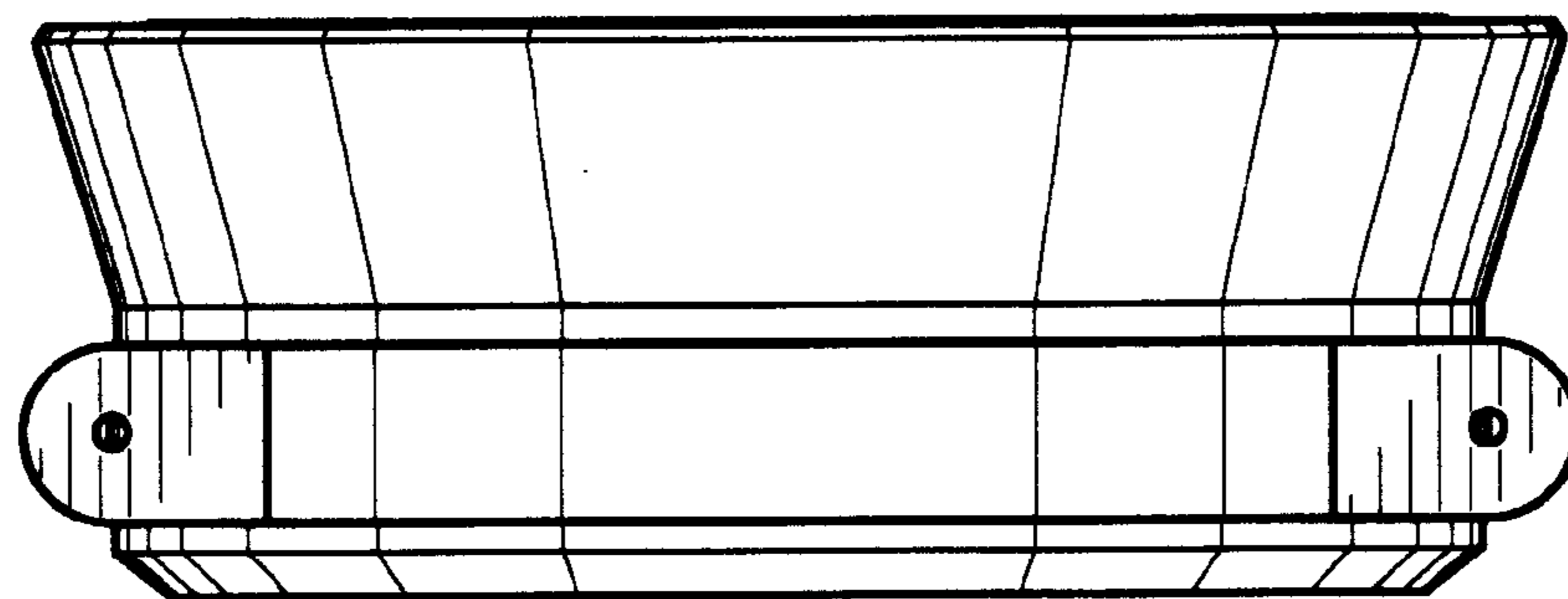


FIG. 6

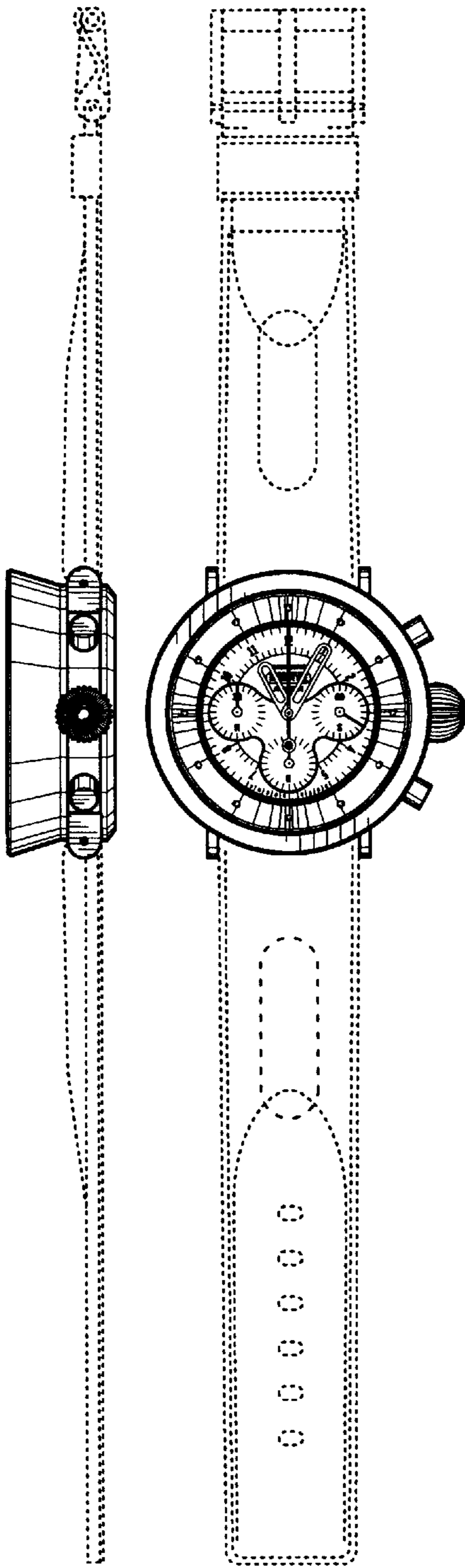


FIG. 7 FIG. 8

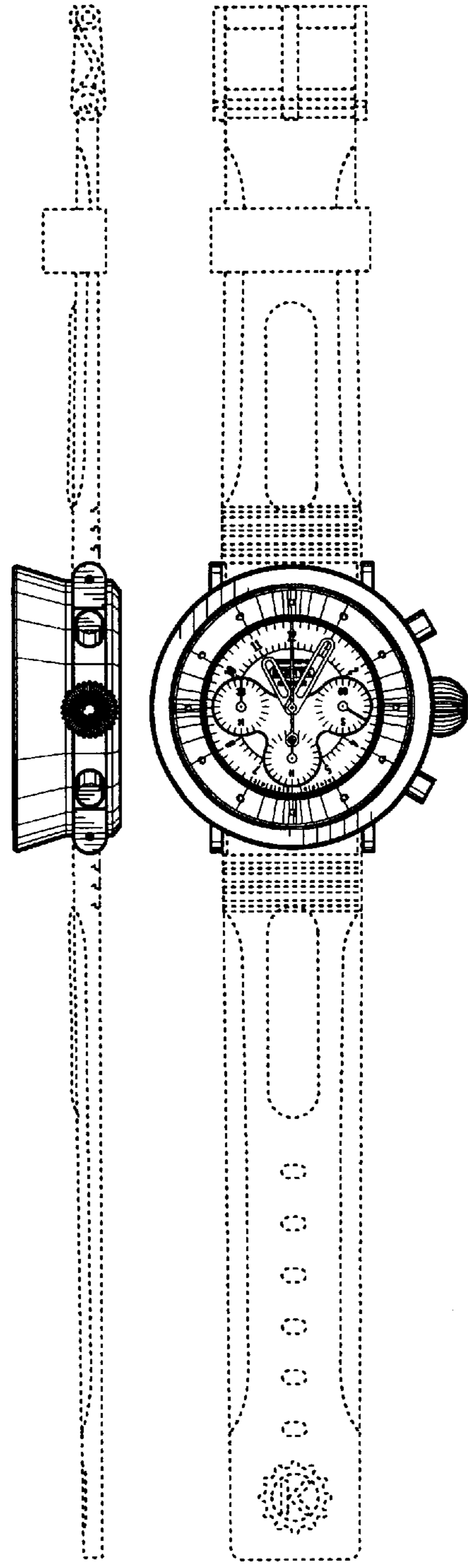


FIG. 9 FIG. 10