



US00D500680S

(12) **United States Design Patent**
Angeletta

(10) **Patent No.: US D500,680 S**
(45) **Date of Patent: ** Jan. 11, 2005**

(54) **HOLDING CONTAINER FOR A LIQUID AND LOTION APPLICATOR**

D435,451 S * 12/2000 Giugiaro D9/528
D471,464 S * 3/2003 Ouillette et al. D9/531

(76) Inventor: **Joseph G. Angeletta**, 418 Fifth St.,
Mamaroneck, NY (US) 10543

* cited by examiner

(**) Term: **14 Years**

Primary Examiner—Stella Reid
Assistant Examiner—Daniel Bui
(74) *Attorney, Agent, or Firm*—Scully, Scott, Murphy &
Presser

(21) Appl. No.: **29/181,273**

(22) Filed: **May 8, 2003**

(57) **CLAIM**

(51) **LOC (7) Cl.** **09-03**

The ornamental design for a holding container for a liquid and lotion applicator, as shown and described.

(52) **U.S. Cl.** **D9/528**

(58) **Field of Search** D9/516, 517, 523,
D9/527, 528, 543, 564, 575, 499; 206/527,
822; 220/890, 771; 215/382, 383, 384,
385, 386, 396, 398

DESCRIPTION

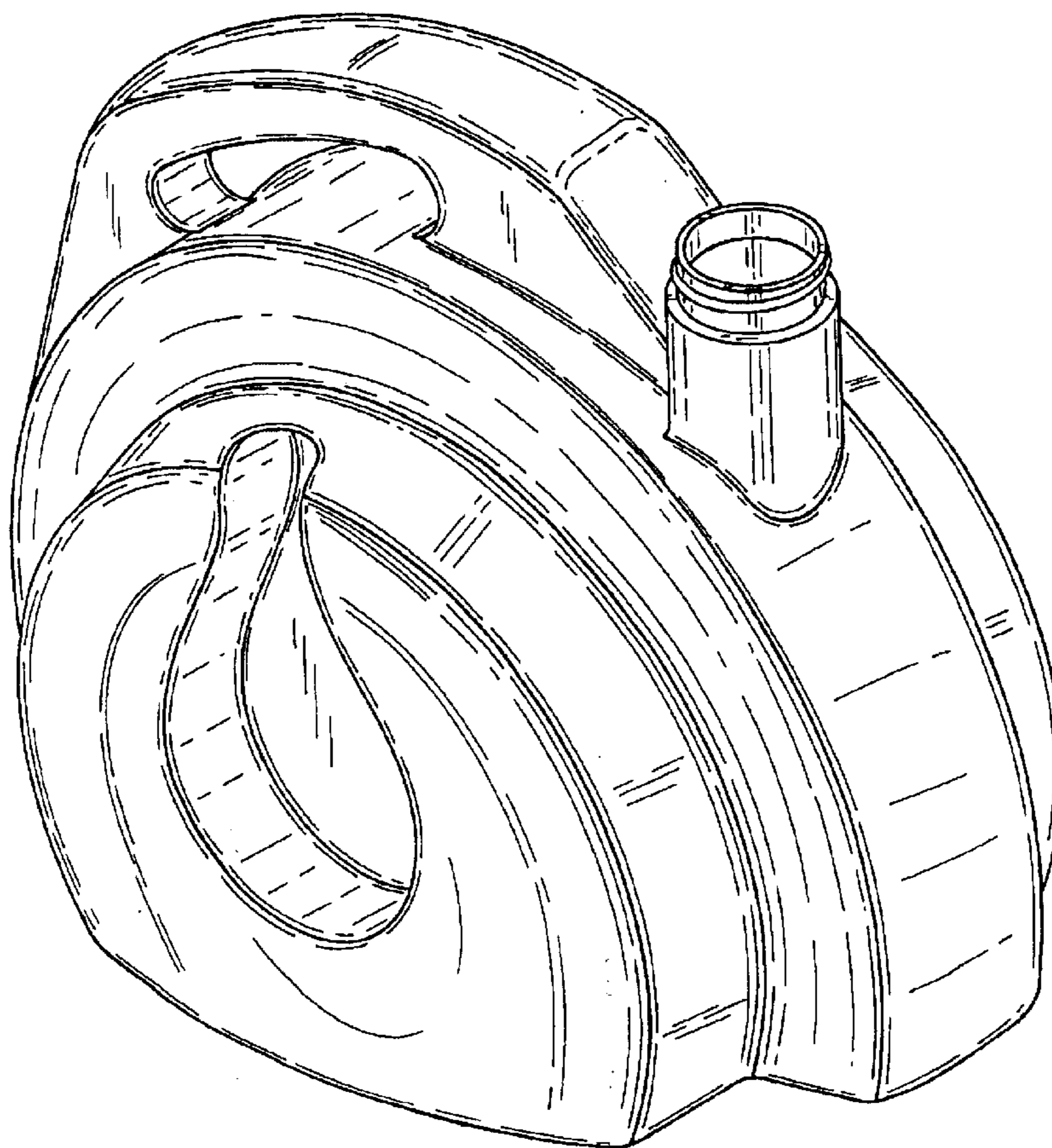
(56) **References Cited**

U.S. PATENT DOCUMENTS

D196,145 S	*	8/1963	Kinsley	D9/520
D196,273 S	*	9/1963	Suess	D9/527
4,079,932 A	*	3/1978	Schuetz	482/82
D285,348 S	*	8/1986	Matthews	D24/117
D297,212 S	*	8/1988	Stavish	D9/520
D320,641 S	*	10/1991	Williams	D23/213
D401,143 S	*	11/1998	Harman et al.	D9/337

FIG. 1 is a front and side perspective view of a holding container for a liquid and lotion applicator, showing my new design;
FIG. 2 is a front elevation view thereof;
FIG. 3 is a rear and side perspective view thereof;
FIG. 4 is a rear elevation view thereof;
FIG. 5 is a left side elevation view thereof;
FIG. 6 is a right side elevation view thereof;
FIG. 7 is a top plan view thereof; and,
FIG. 8 is a bottom plan view thereof.

1 Claim, 8 Drawing Sheets



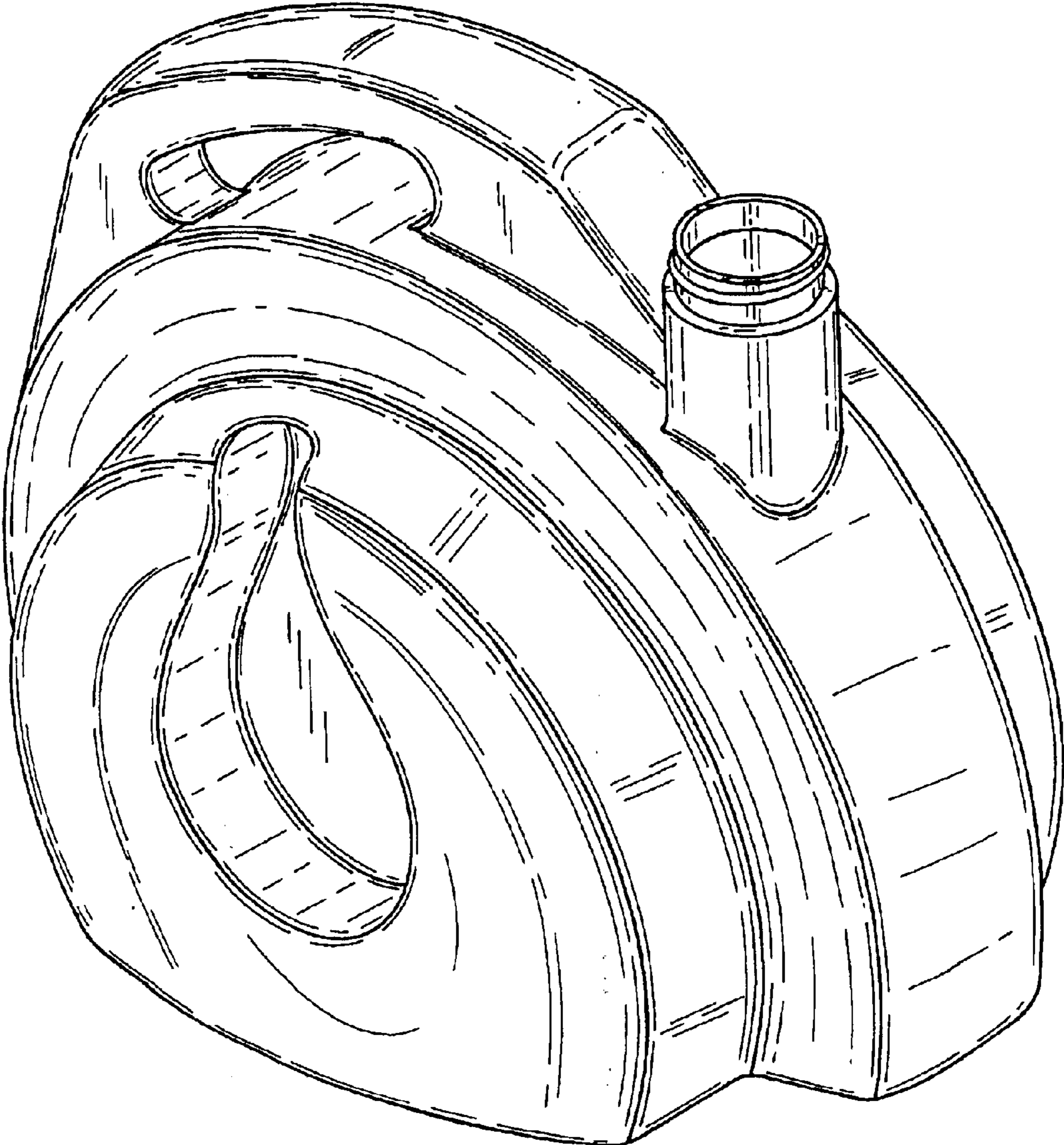


FIG. 1

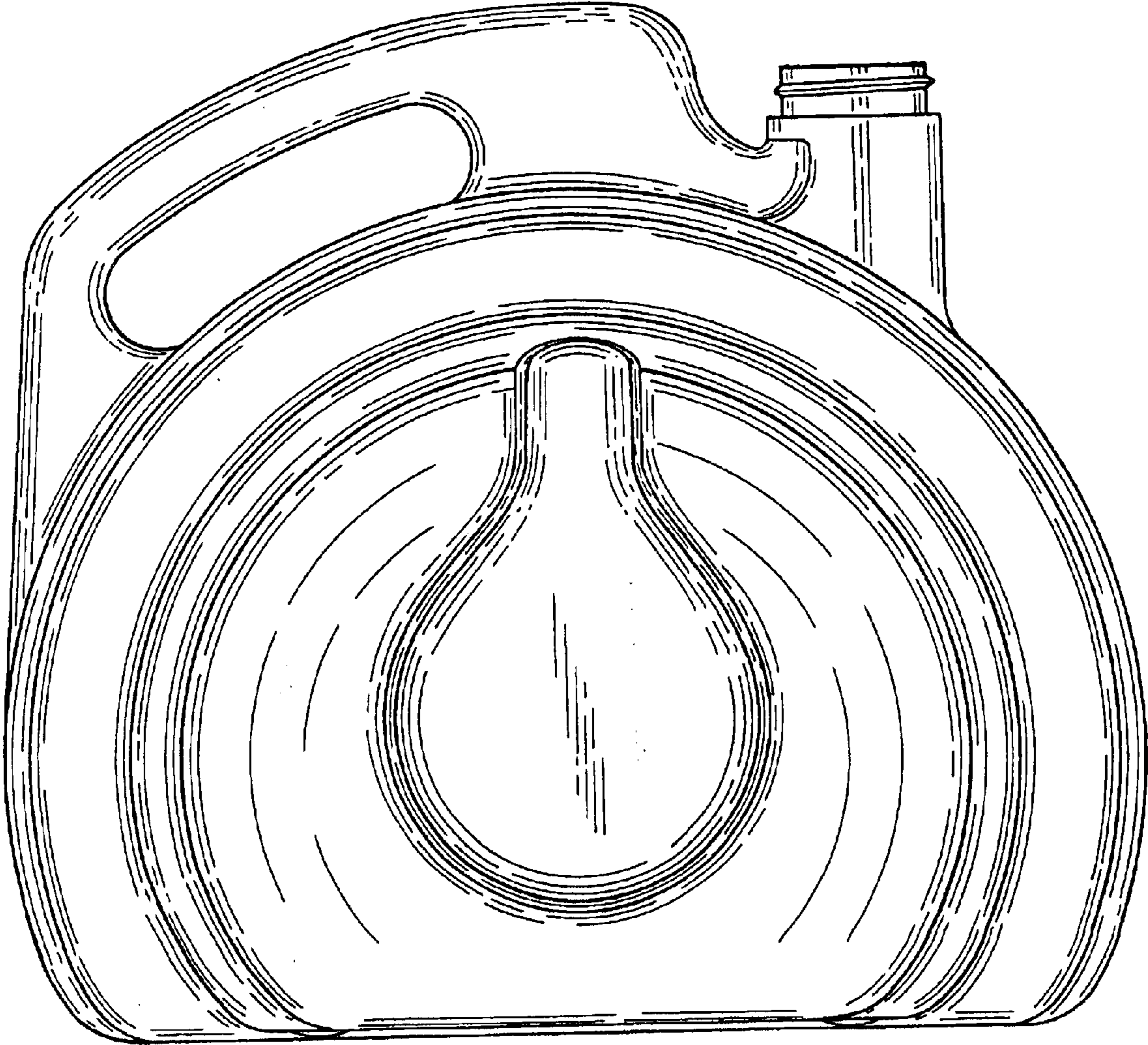


FIG. 2

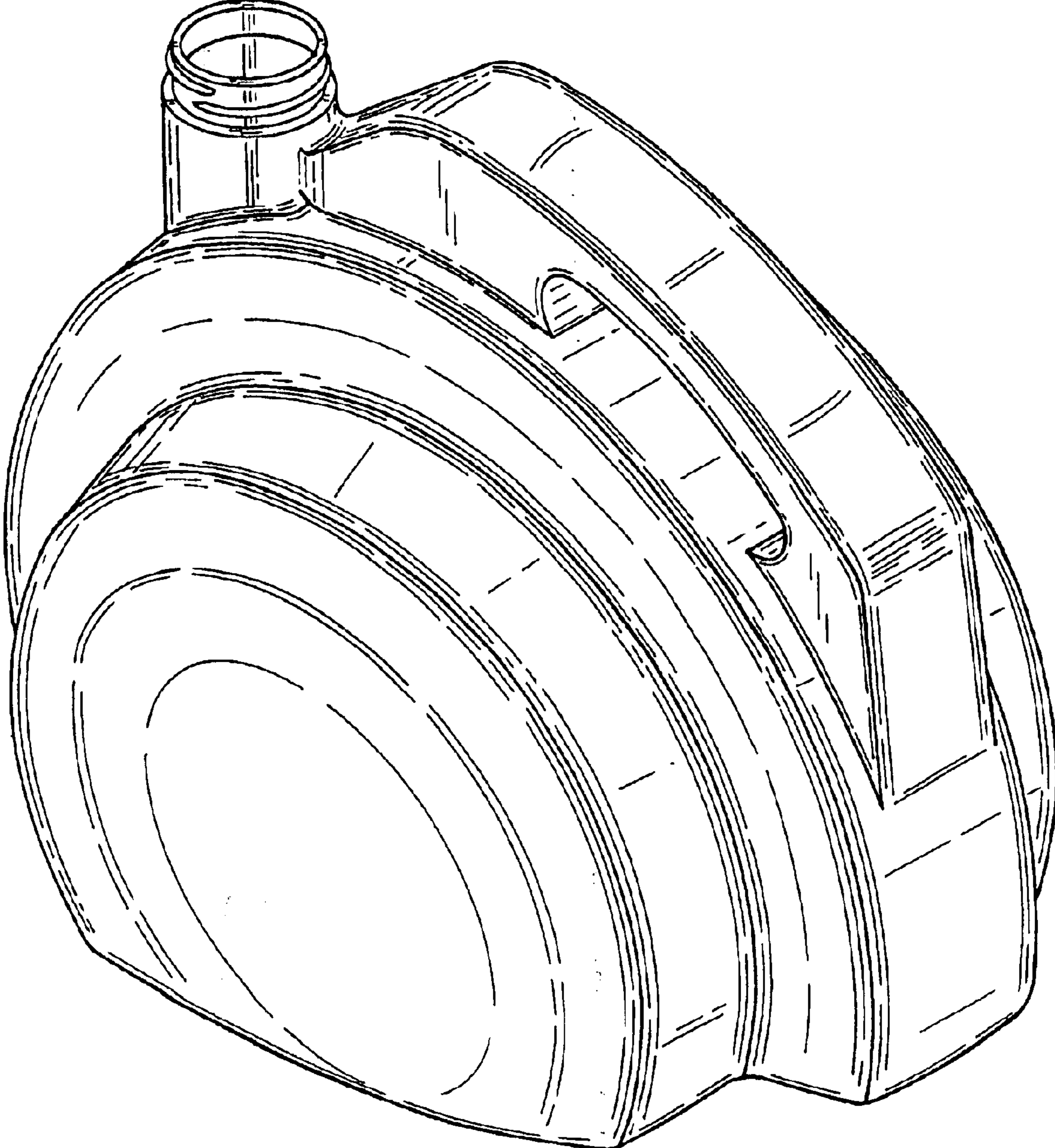


FIG. 3

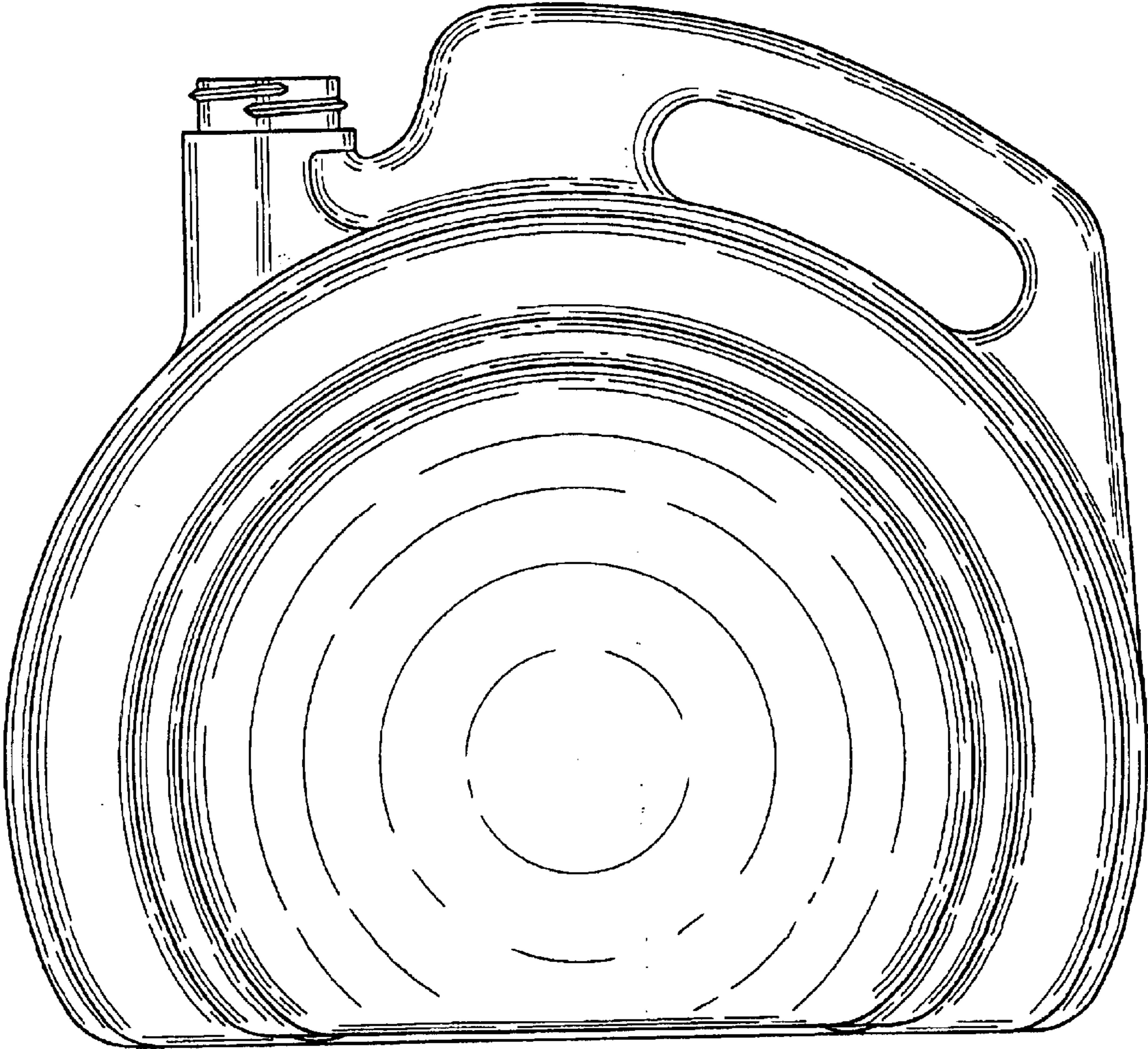


FIG. 4

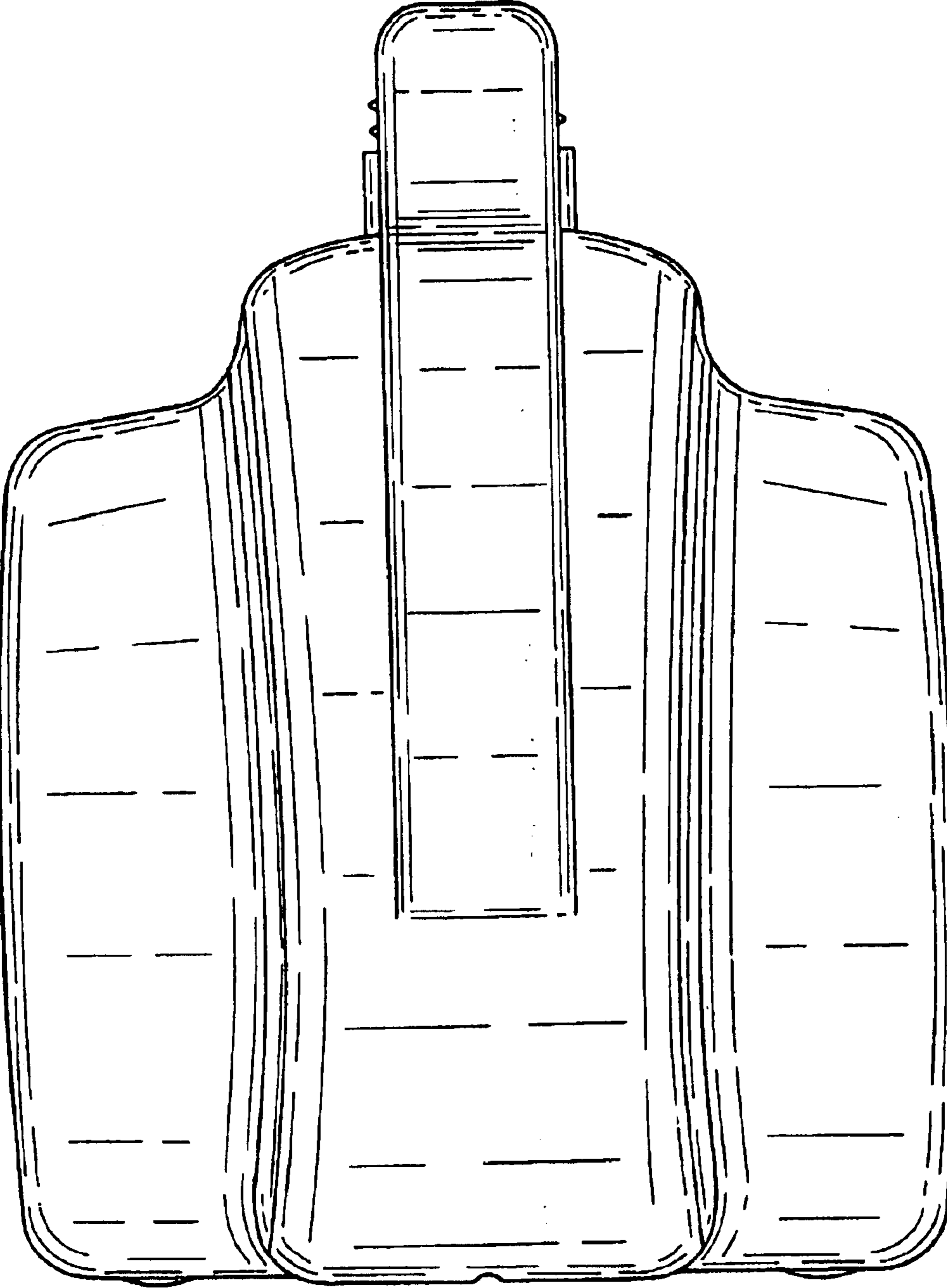


FIG. 5

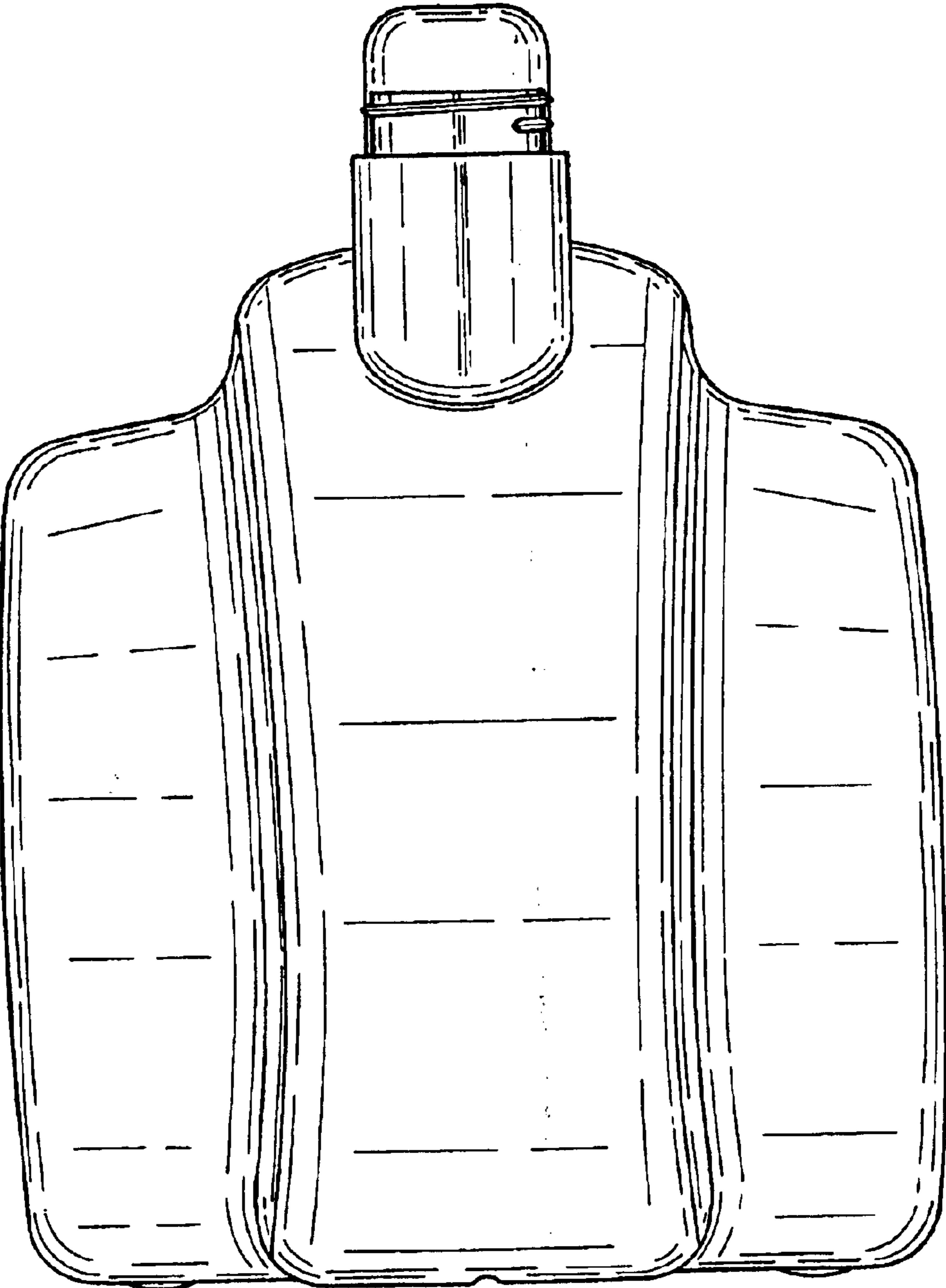


FIG.6

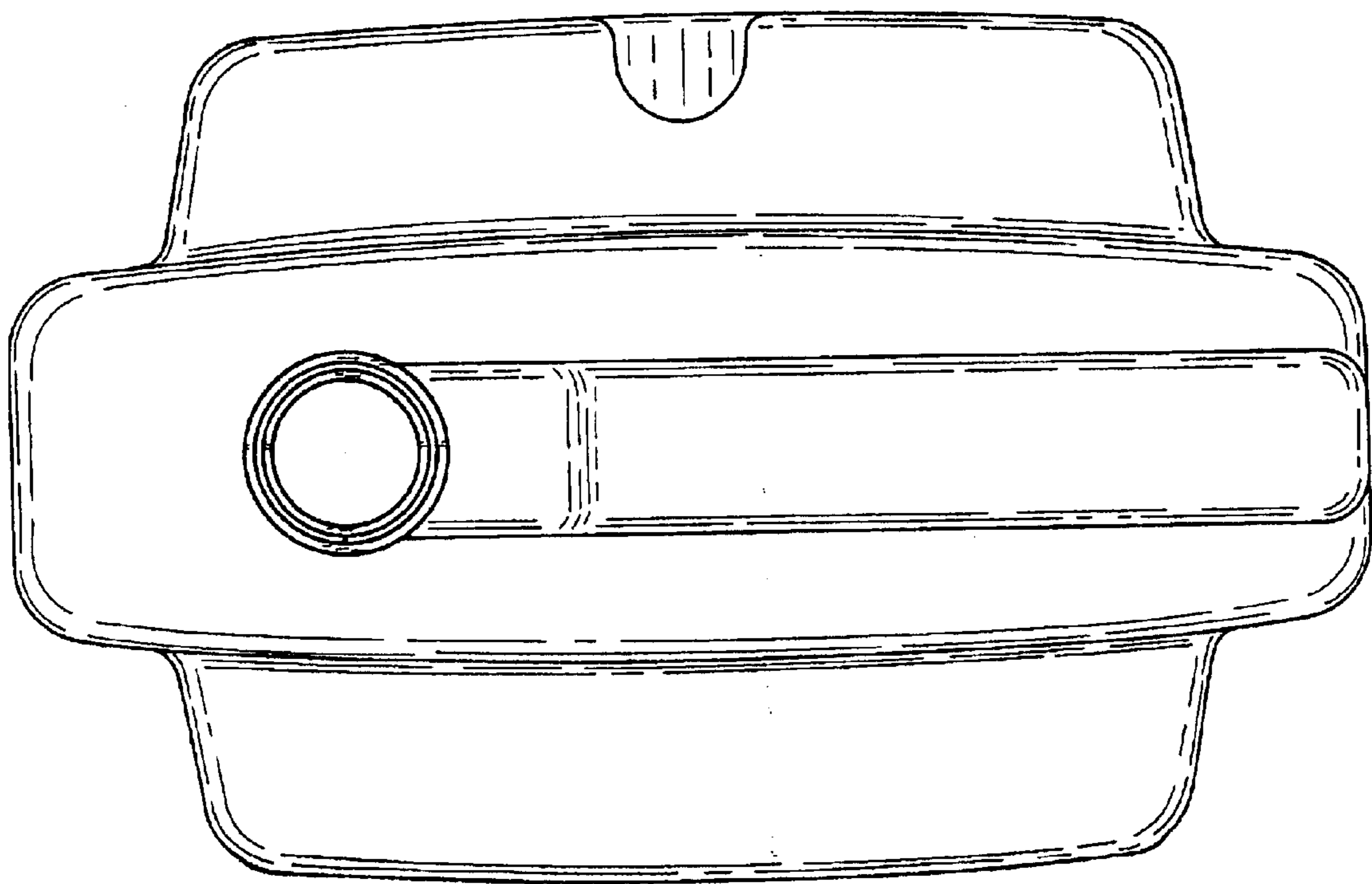


FIG. 7

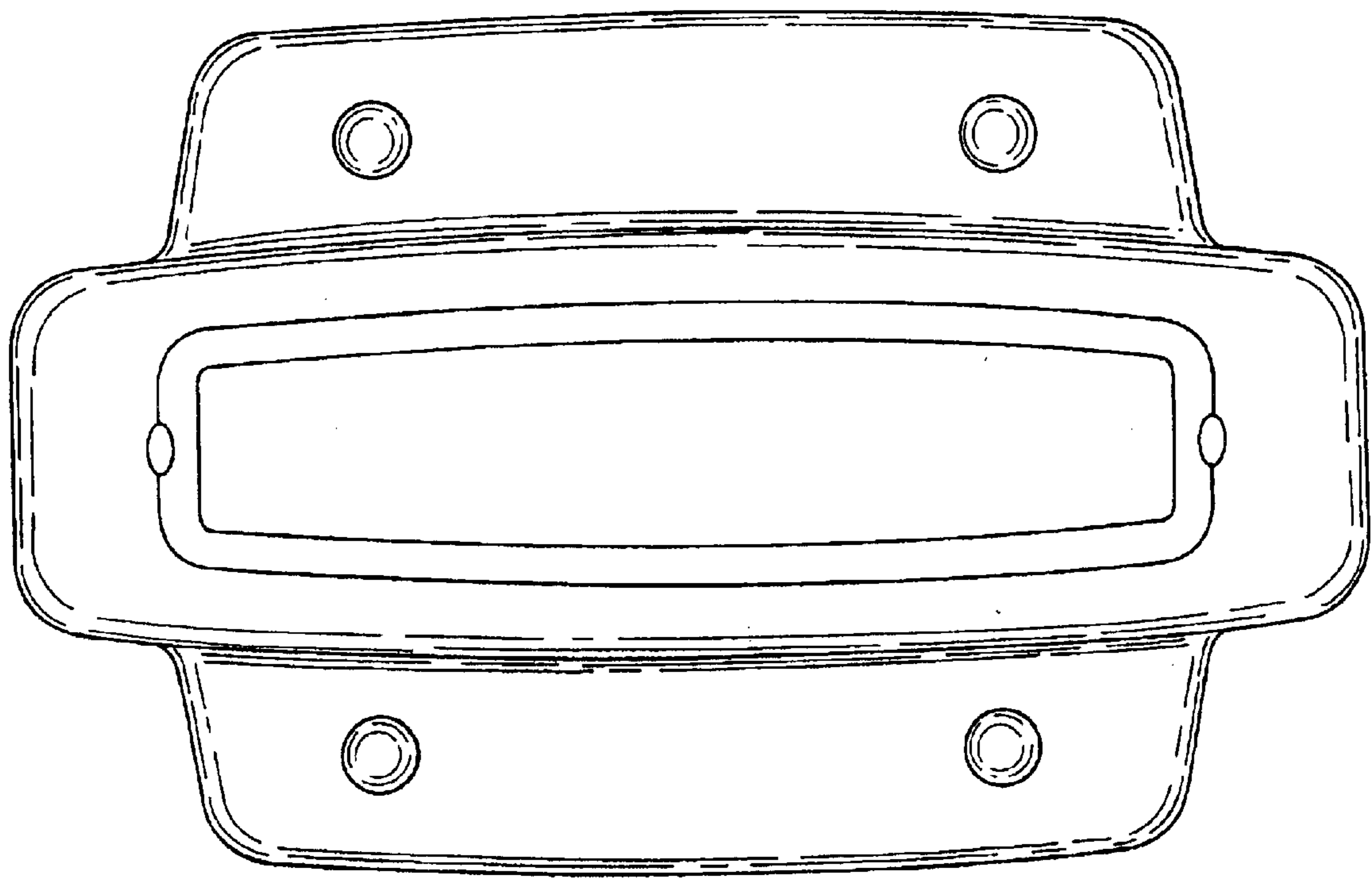


FIG. 8