

US00D500678S

(12) **United States Design Patent**
Park et al.

(10) **Patent No.: US D500,678 S**
(45) **Date of Patent: ** Jan. 11, 2005**

(54) **CONTAINER WITH OGEE SHOULDER**
(75) Inventors: **Tiffany K. Park**, Mt. Prospect, IL
(US); **Joseph M. Kornick**, Chicago, IL
(US)

D280,291 S * 8/1985 Copsey et al. D9/500
D372,868 S * 8/1996 Kobayashi et al. D9/500
D441,298 S * 5/2001 Gundlach et al. D9/555
D458,143 S * 6/2002 Ackerman D9/549
D480,969 S * 10/2003 Owens D9/455

(73) Assignee: **Kornick-Lindsay, Inc.**, Chicago, IL
(US)

FOREIGN PATENT DOCUMENTS

(**) Term: **14 Years**

GB 2011102 * 9/2000

(21) Appl. No.: **29/177,450**

* cited by examiner

(22) Filed: **Mar. 11, 2003**

Primary Examiner—Carol Rademaker

(51) **LOC (7) Cl.** **09-01**

(74) *Attorney, Agent, or Firm*—David C. Brezina; Barnes & Thornburg LLP

(52) **U.S. Cl.** **D9/502**; D9/503

(58) **Field of Search** D9/500–504, 516–517,
D9/530, 537–539, 549, 557–558; 215/12.2,
382–384, 398, 400

(57) **CLAIM**

The ornamental design for a container with ogee shoulder, as shown.

(56) **References Cited**

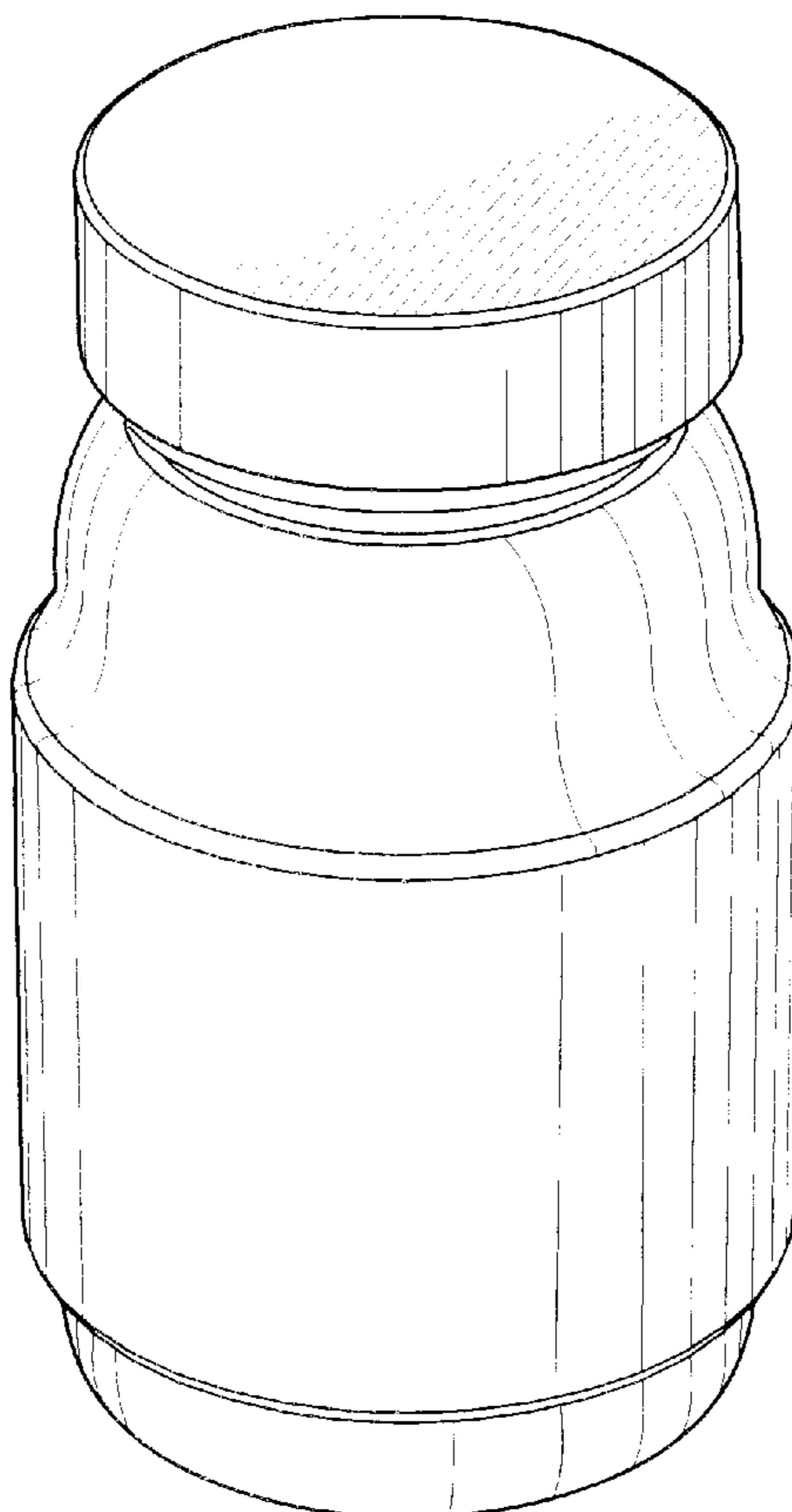
U.S. PATENT DOCUMENTS

2,536,684 A * 1/1951 Gushard et al. 215/382
D227,348 S * 6/1973 Bagguley et al. D9/503
D263,119 S * 2/1982 Oshita D9/503
D264,182 S * 5/1982 Kemp et al. D9/503
D266,649 S * 10/1982 Plewes et al. D9/503

DESCRIPTION

FIG. 1 is a top plan view of our container with ogee shoulder;
FIG. 2 is a front elevational view thereof;
FIG. 3 is a right side elevational view thereof;
FIG. 4 is a left side elevational view thereof;
FIG. 5 is a rear elevational view thereof; and,
FIG. 6 is a perspective view thereof.

1 Claim, 2 Drawing Sheets



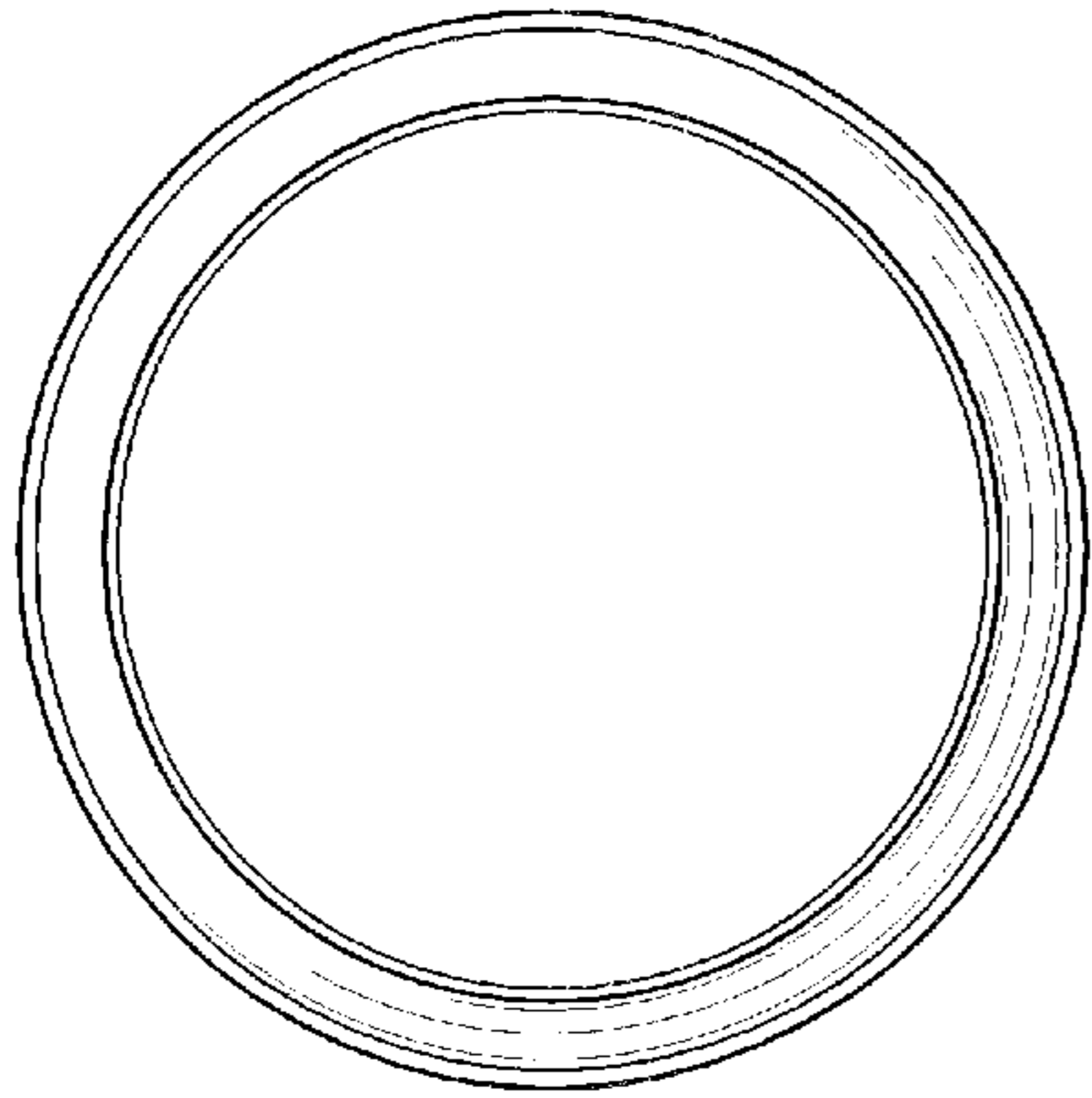


FIG. 1

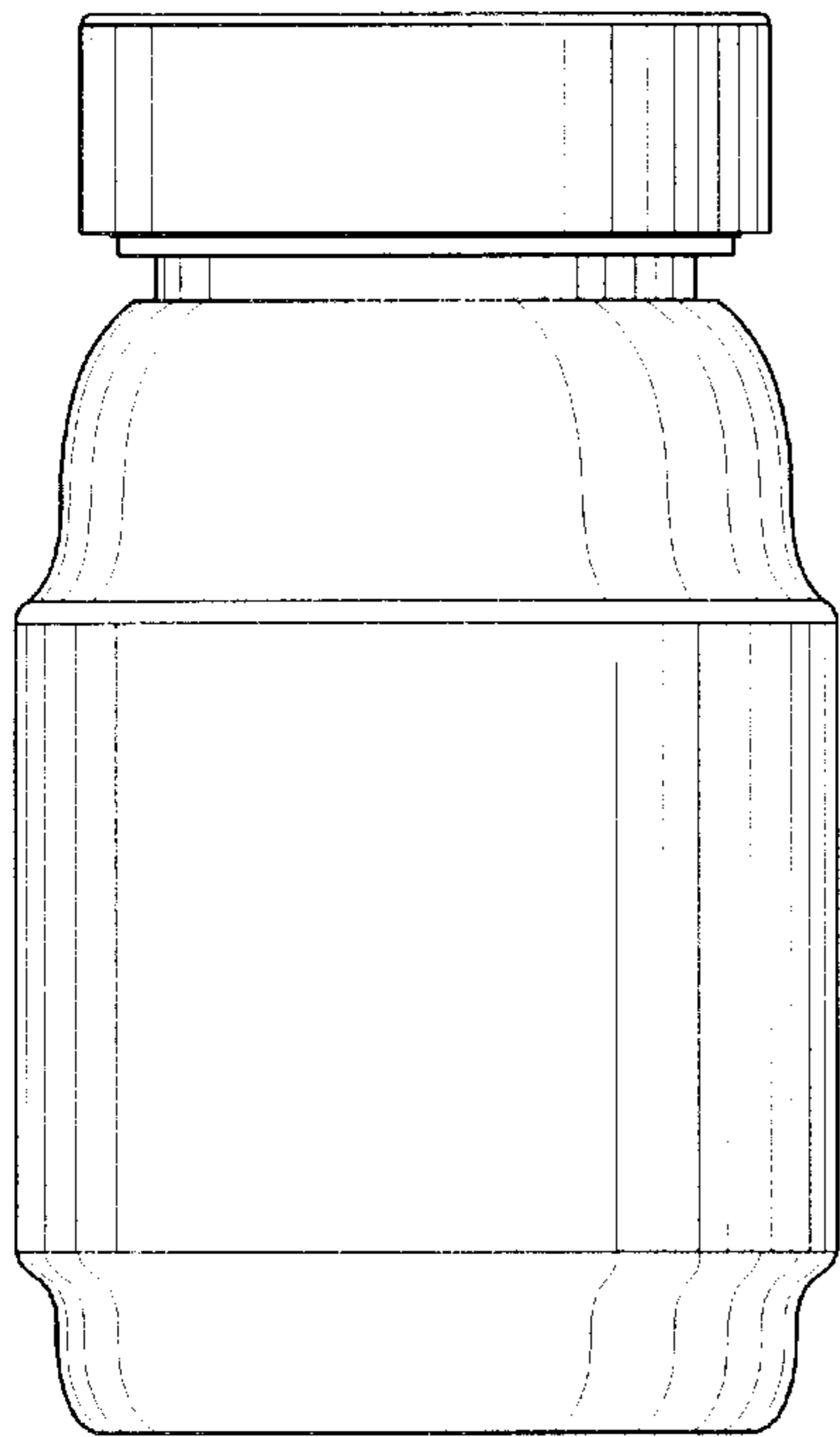


FIG. 2

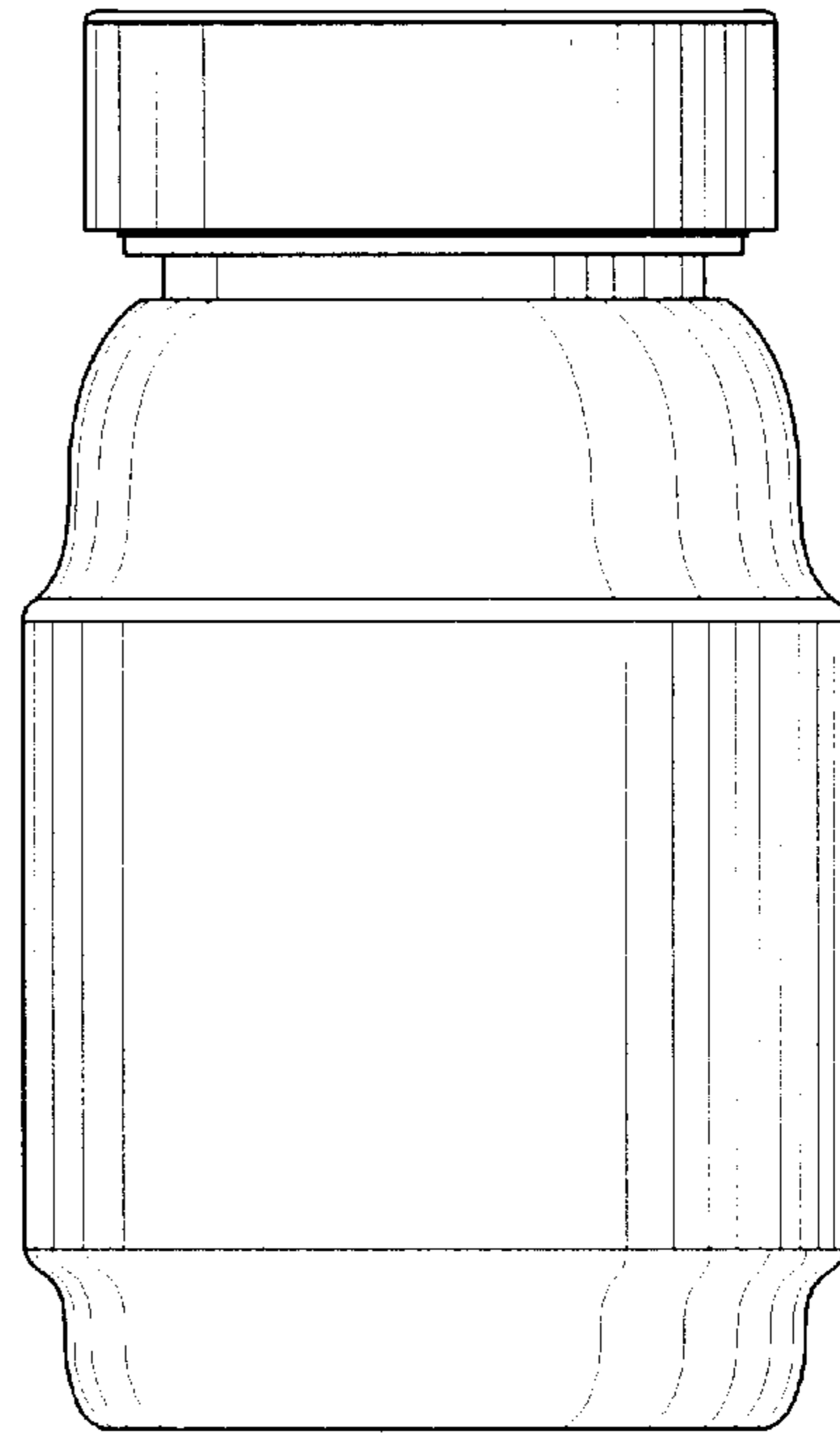


FIG. 3

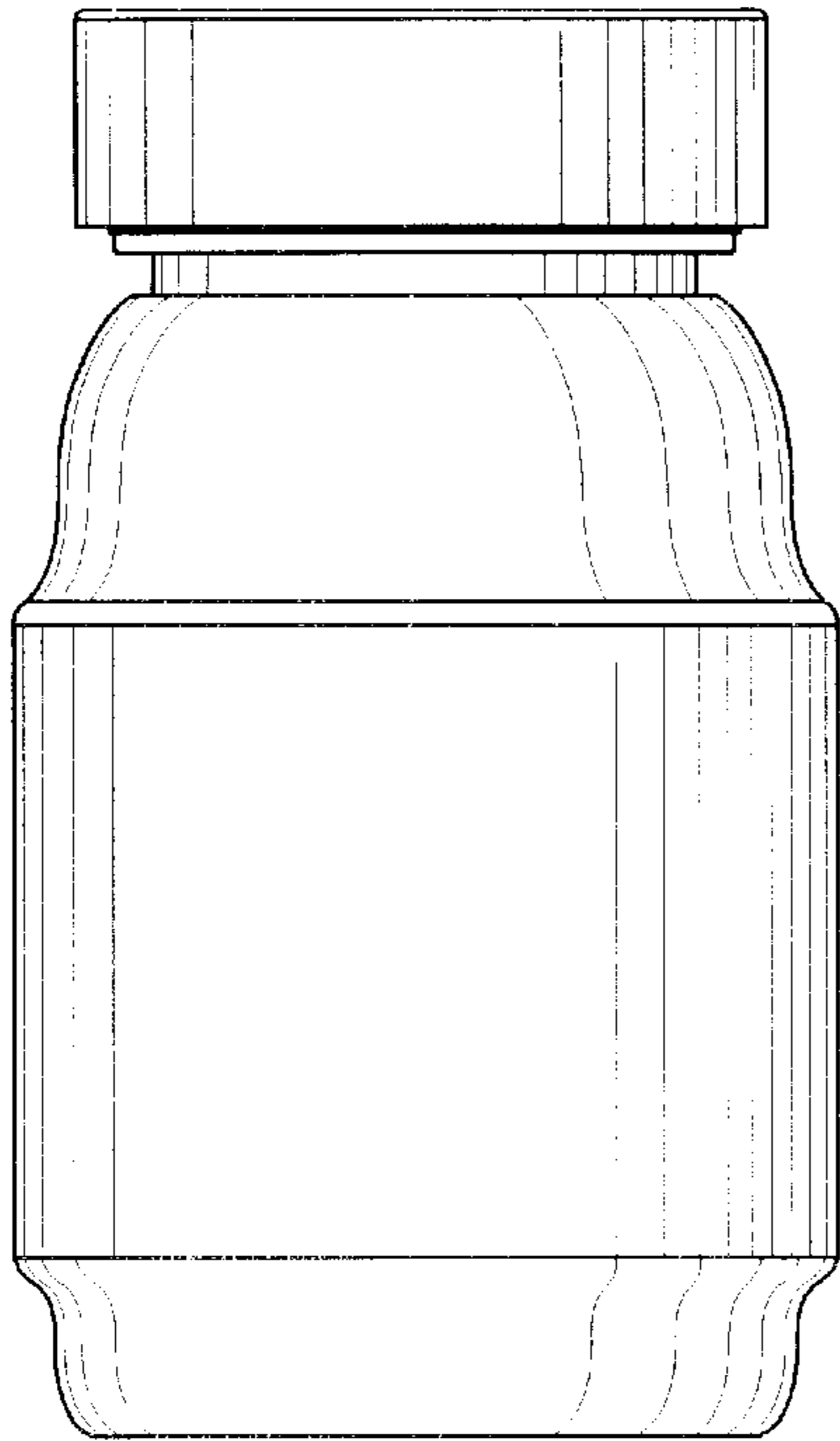


FIG. 4

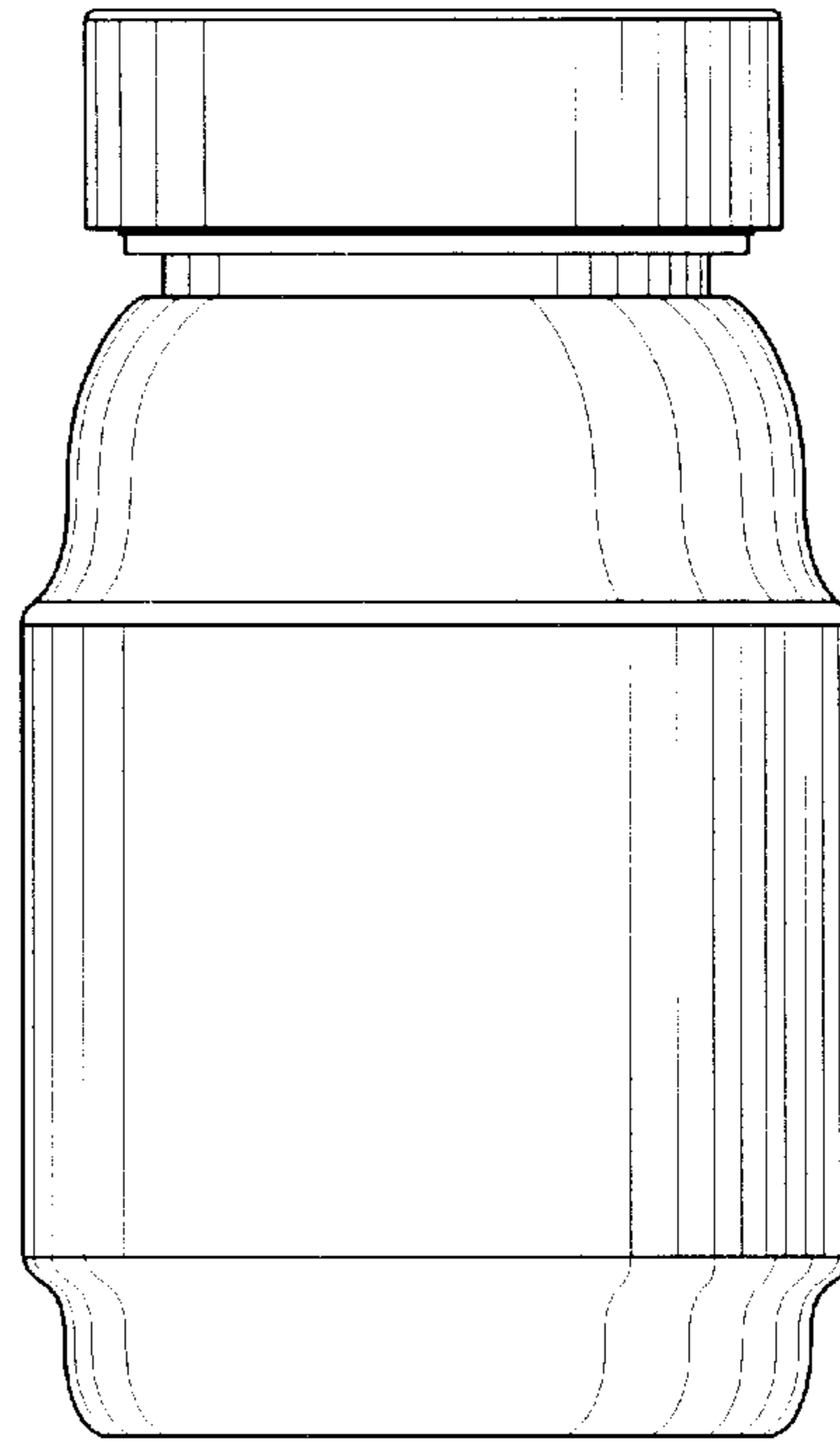


FIG. 5

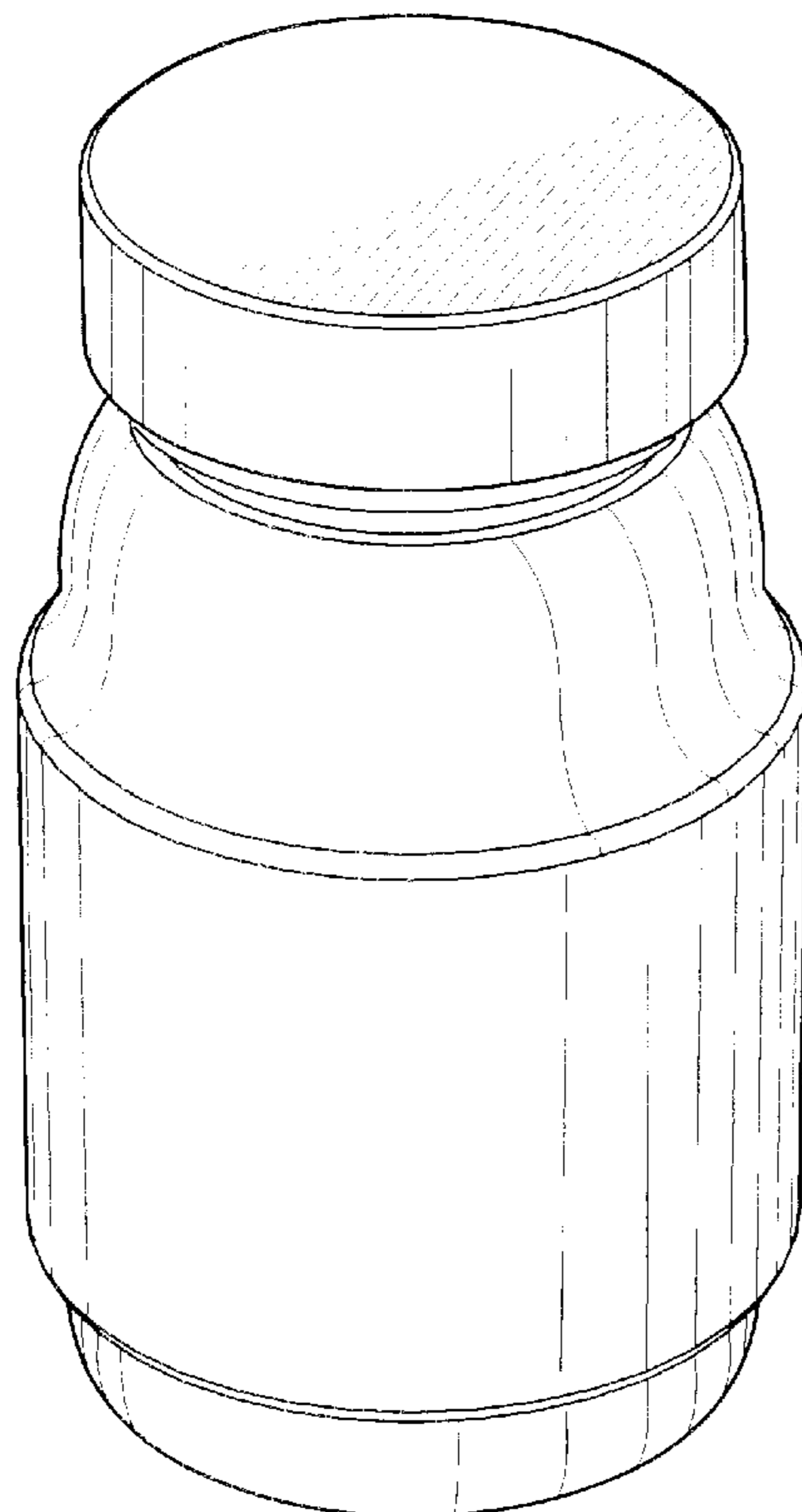


FIG. 6