



US00D500674S

(12) **United States Design Patent**
Chou

(10) **Patent No.:** **US D500,674 S**

(45) **Date of Patent:** **** Jan. 11, 2005**

(54) **SEAL CONTAINER**

(76) **Inventor:** **Shin-Jai Chou**, 3 Fl., 17, Pao Ching Street, Hsintien City, Taipei Hsien (TW)

(**) **Term:** **14 Years**

(21) **Appl. No.:** **29/190,554**

(22) **Filed:** **Sep. 24, 2003**

(51) **LOC (7) Cl.** **09-03**

(52) **U.S. Cl.** **D9/347; D9/425**

(58) **Field of Search** D9/347, 341-345, D9/430-432, 425, 429, 414; D7/555, 560-562; 220/553, 555-557; 229/406-407; 426/106, 521

(56) **References Cited**

U.S. PATENT DOCUMENTS

D276,216 S	*	11/1984	Michaud	D9/425
D305,409 S	*	1/1990	Michaud et al.	D9/425
D348,608 S	*	7/1994	Wyslotsky	D9/425
D374,819 S	*	10/1996	Wells	D9/425
D387,272 S	*	12/1997	Lippincott	D9/347
D407,015 S	*	3/1999	Jones	D9/426

D414,409 S	*	9/1999	Sanfilippo et al.	D9/341
D468,637 S	*	1/2003	Chou	D9/425
D470,048 S	*	2/2003	Buchalski et al.	D9/425

* cited by examiner

Primary Examiner—Philip S. Hyder

Assistant Examiner—Daniel Bui

(74) *Attorney, Agent, or Firm*—Rosenberg, Klein & Lee

(57) **CLAIM**

The ornamental design for a seal container, as show and described.

DESCRIPTION

FIG. 1 is a perspective view of a seal container showing my new design;

FIG. 2 is bottom perspective view of a seal container showing my new design;

FIG. 3 is a front view thereof;

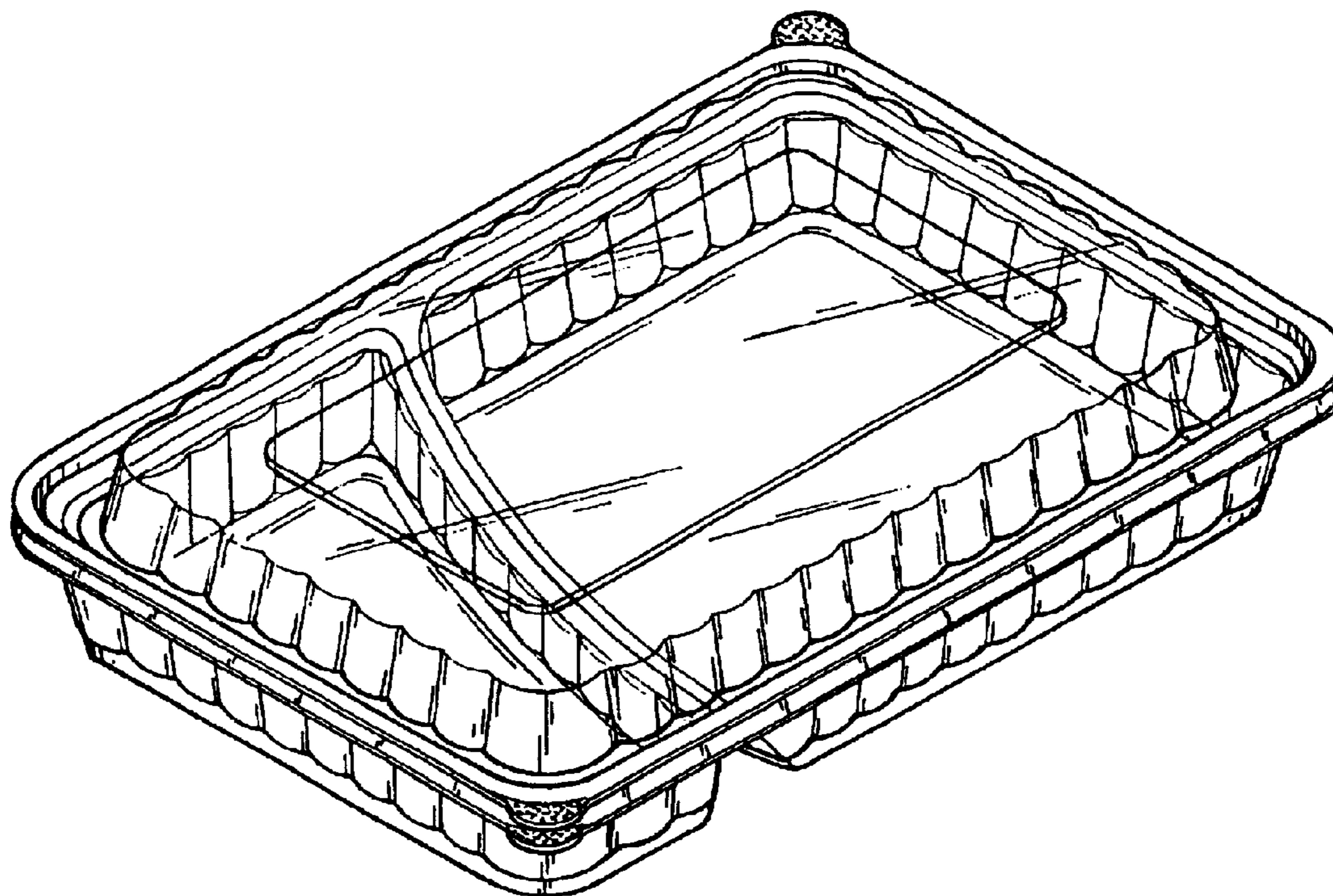
FIG. 4 is a rear view thereof;

FIG. 5 is a side elevational view thereof;

FIG. 6 is a top plan view thereof; and,

FIG. 7 is a bottom plan view thereof.

1 Claim, 5 Drawing Sheets



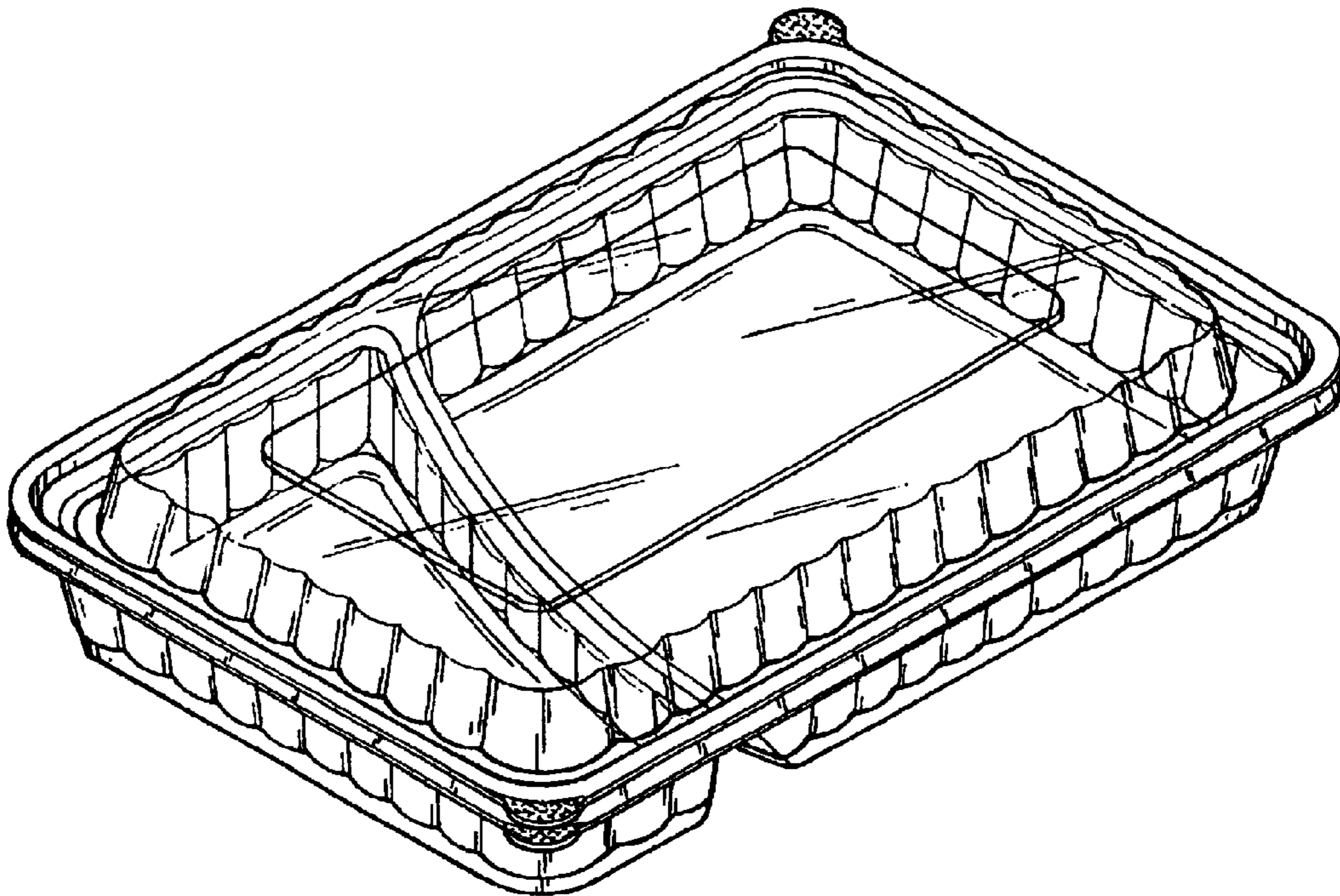


FIG. 1

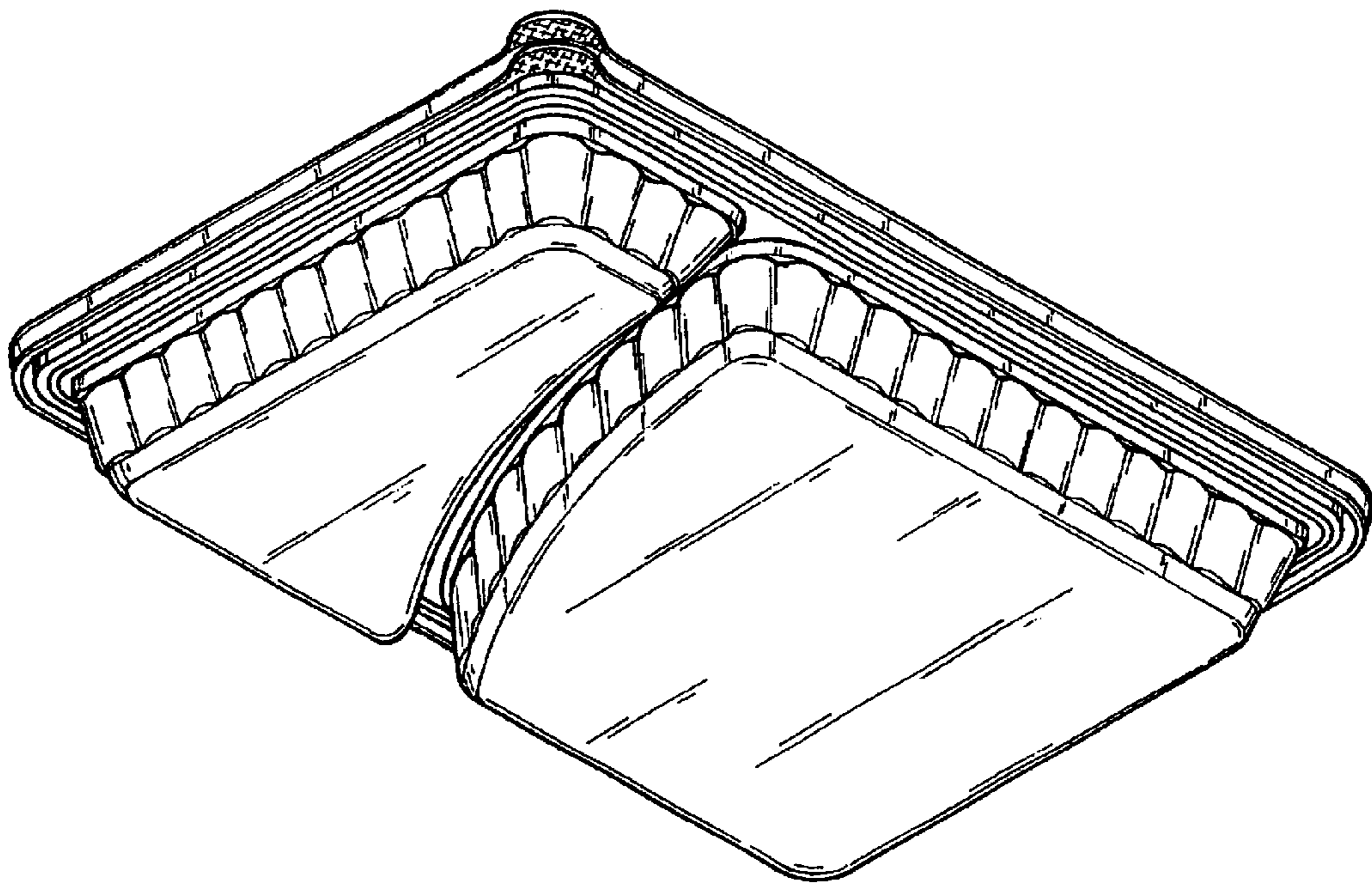


FIG. 2

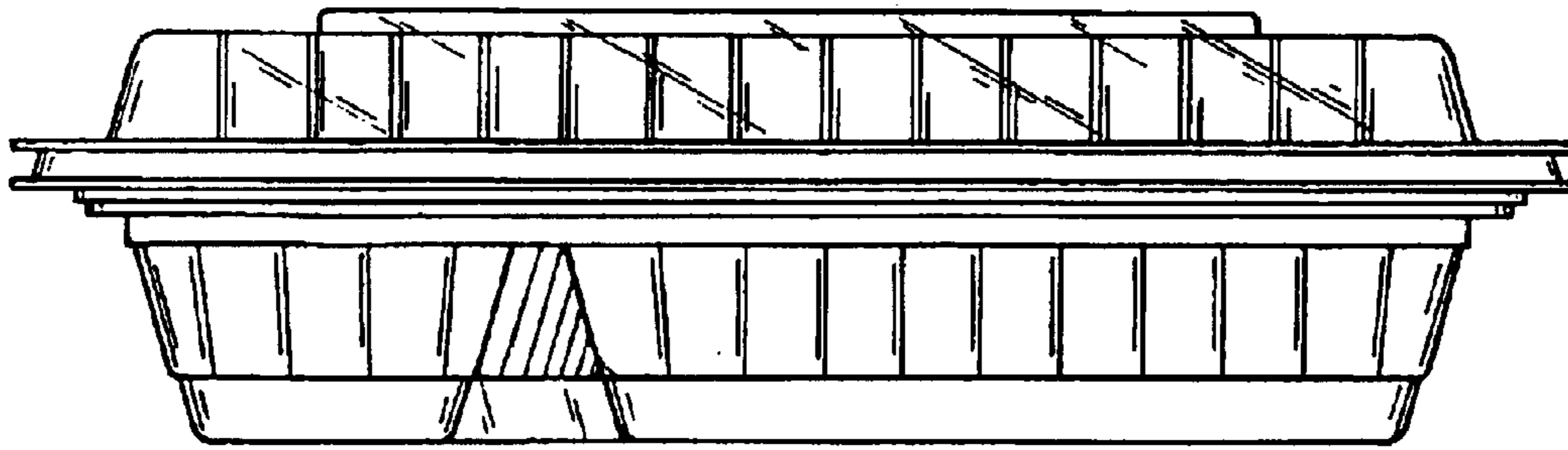


FIG. 3

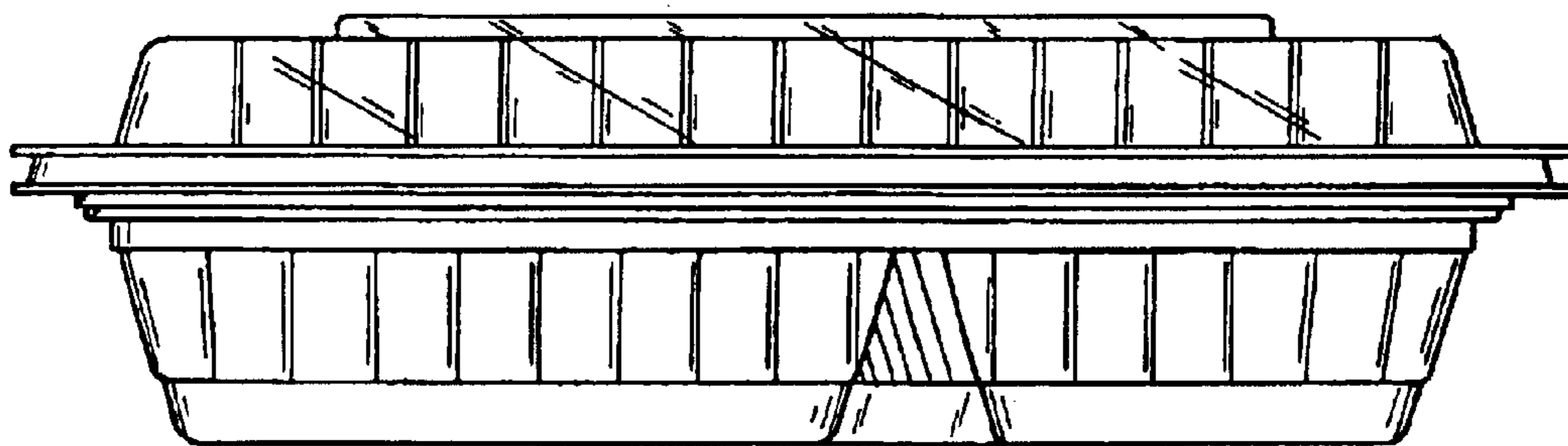


FIG. 4

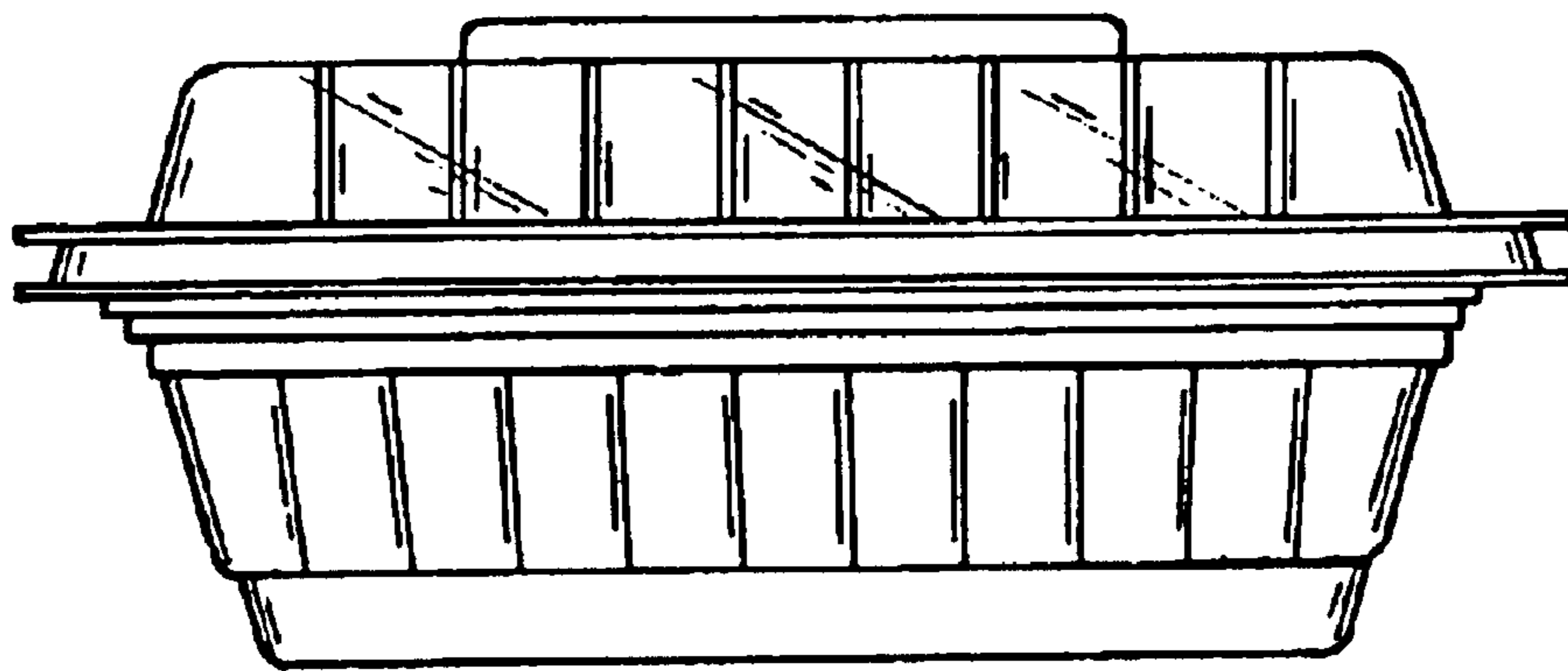


FIG. 5

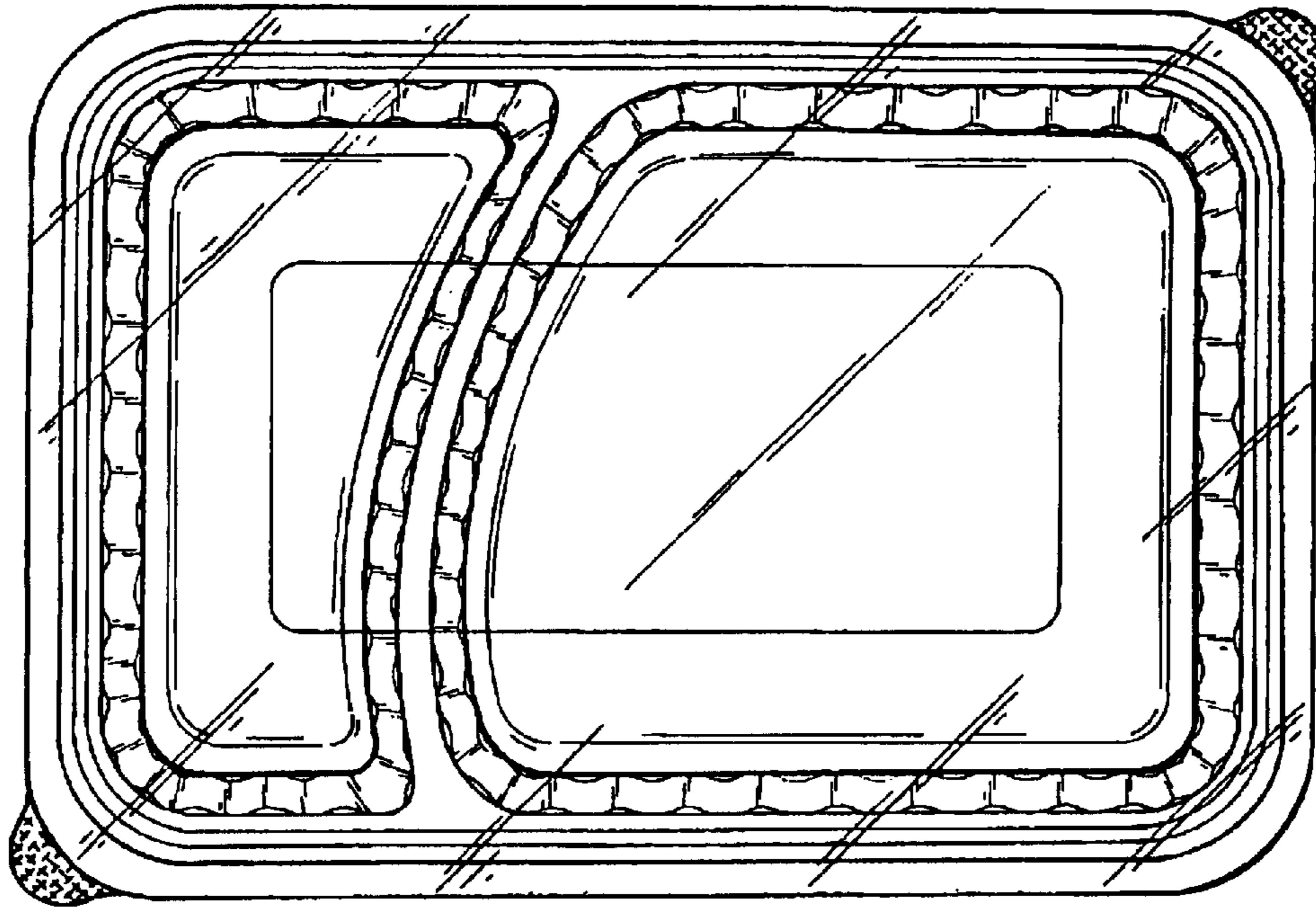


FIG. 6

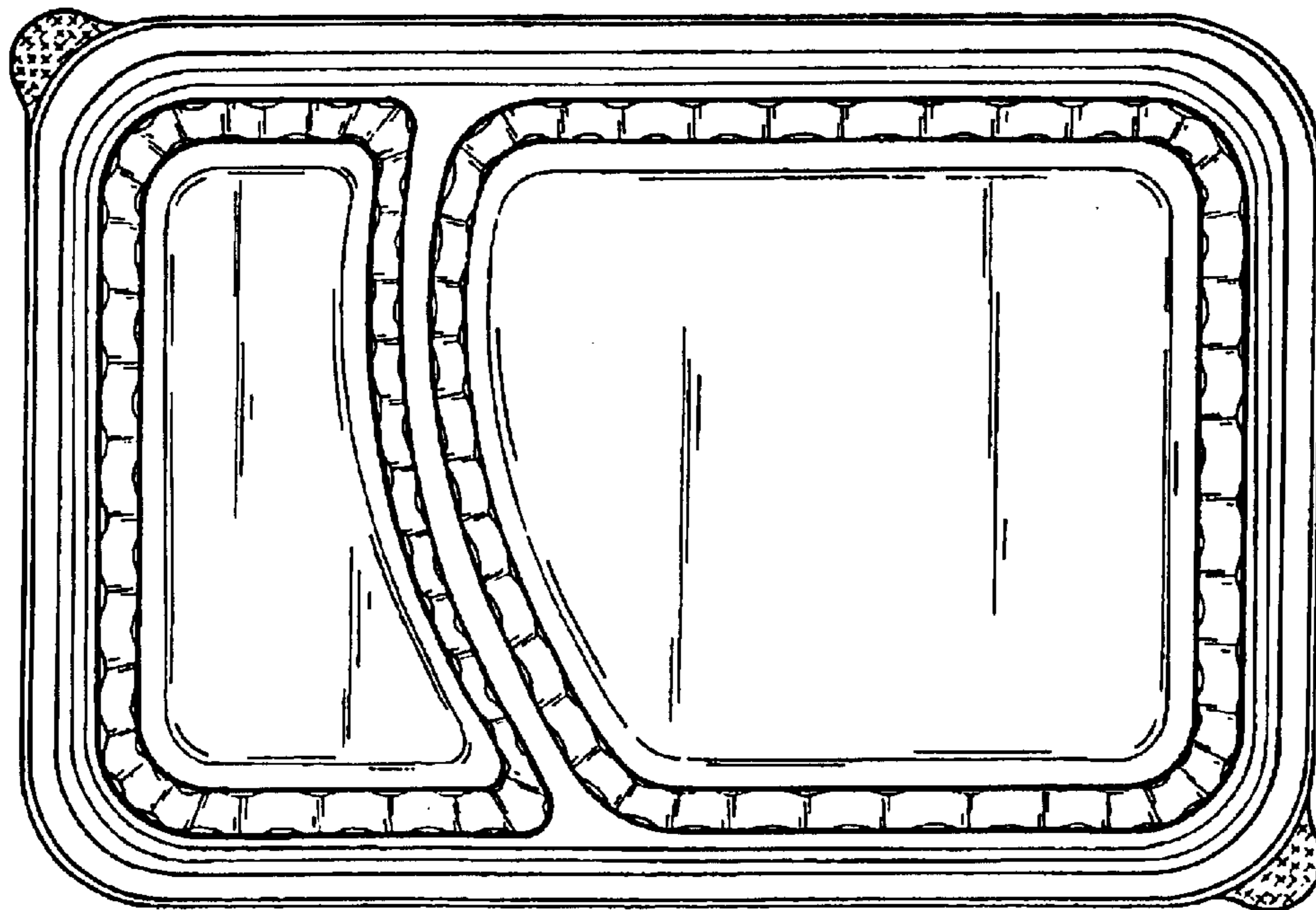


FIG. 7