

US00D500668S

(12) **United States Design Patent** (10) **Patent No.:** **US D500,668 S**  
**Kelly et al.** (45) **Date of Patent:** **\*\* Jan. 11, 2005**

(54) **REBAR CHAIR**  
 (75) Inventors: **David L. Kelly**, Sacramento, CA (US);  
**Stephen L. Miller**, Grass Valley, CA  
 (US); **Richard L. Miller**, Meadow  
 Vista, CA (US)

(73) Assignee: **MMI Management Services LP**,  
 Houston, TX (US)

(\*\*) Term: **14 Years**

(21) Appl. No.: **29/200,187**

(22) Filed: **Feb. 25, 2004**

(51) **LOC (7) Cl.** ..... **08-05**  
 (52) **U.S. Cl.** ..... **D8/354**  
 (58) **Field of Search** ..... D8/349, 354, 380,  
 D8/384; D25/199; 52/677, 678, 679, 682,  
 684, 685, 686, 687, 688, 689; 404/134,  
 135, 136

(56) **References Cited**

**U.S. PATENT DOCUMENTS**

1,672,852 A	6/1928	Roughan	
1,809,870 A	6/1931	Smith	
1,936,536 A	11/1933	Bates	72/57
3,693,310 A	9/1972	Middleton	52/685
4,060,954 A	12/1977	Liuzza	52/677
4,080,770 A	3/1978	Vigh	52/689
D271,846 S	* 12/1983	Hernandez	D8/356
D271,847 S	* 12/1983	Hernandez	D8/356
4,483,119 A	11/1984	Hernandez	52/689
4,655,023 A	4/1987	Yung	52/685
4,682,461 A	7/1987	Sizemore	52/689
4,756,641 A	7/1988	Hartzheim	404/136
4,835,933 A	6/1989	Yung	52/685
5,107,654 A	4/1992	Leonardis	52/685
D334,133 S	3/1993	Hartzheim	D8/354
5,555,693 A	9/1996	Sorkin	52/689
D388,312 S	12/1997	Sorkin	D8/354
5,729,949 A	3/1998	Hartzheim	52/677
D394,200 S	5/1998	Hartzheim	D8/354
5,791,095 A	8/1998	Sorkin	52/105
5,791,816 A	* 8/1998	McCallion	404/136
D421,709 S	3/2000	Haslem et al.	D8/354

D428,501 S	7/2000	Haslem et al.	D25/199
6,089,522 A	7/2000	Haslem et al.	248/440
D443,197 S	6/2001	Padrun	D8/354
D444,244 S	6/2001	McPherson et al.	D25/199
6,276,108 B1	8/2001	Padrun	52/684
D454,776 S	3/2002	Padrun	D8/354
6,354,054 B1	3/2002	Verelli et al.	52/686
D491,443 S	* 6/2004	Lowery	D8/354
2003/0000170 A1	1/2003	Sorkin	52/677
2004/0098942 A1	* 5/2004	Lee et al.	52/686

**FOREIGN PATENT DOCUMENTS**

AU	227969	5/1960
FR	2549870	7/1983
GB	575043	1/1946

**OTHER PUBLICATIONS**

Aztec Promotional Brochure for Plastic Rebar Spacer (1994)  
 11 pages.  
 Meadow Steel Products Pricing Brochure for Reinforcing  
 Bar Supports (1993) 8 pages.  
 Meadow Steel Products Plastic Accessories Catalog (1991)  
 6 pages.

\* cited by examiner

*Primary Examiner*—Joel A. Sincavage  
 (74) *Attorney, Agent, or Firm*—John K. Uilkema; Thelen  
 Reid & Priest LLP

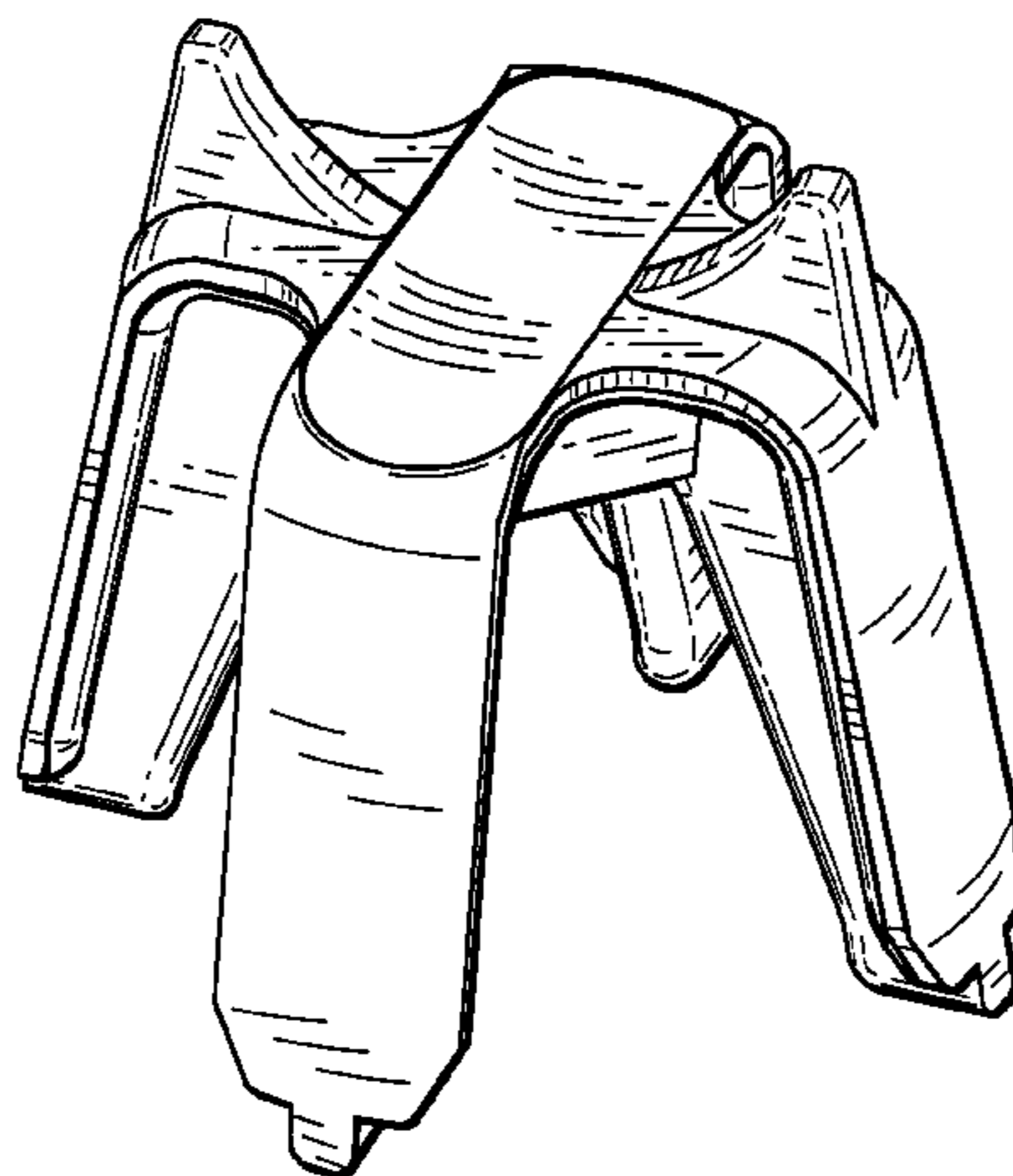
(57) **CLAIM**

The ornamental design for a rebar chair, as shown and  
 described.

**DESCRIPTION**

FIG. 1 is a top perspective view of the chair;  
 FIG. 2 is a bottom perspective view of the chair;  
 FIG. 3 is a top plan view of the chair;  
 FIG. 4 is a bottom plan view of the chair;  
 FIG. 5 is a front elevational view of the chair, the rear  
 elevational view being a mirror image thereof; and,  
 FIG. 6 is an elevational view of one side of the chair, the  
 other side of the chair being a mirror image thereof.

**1 Claim, 2 Drawing Sheets**



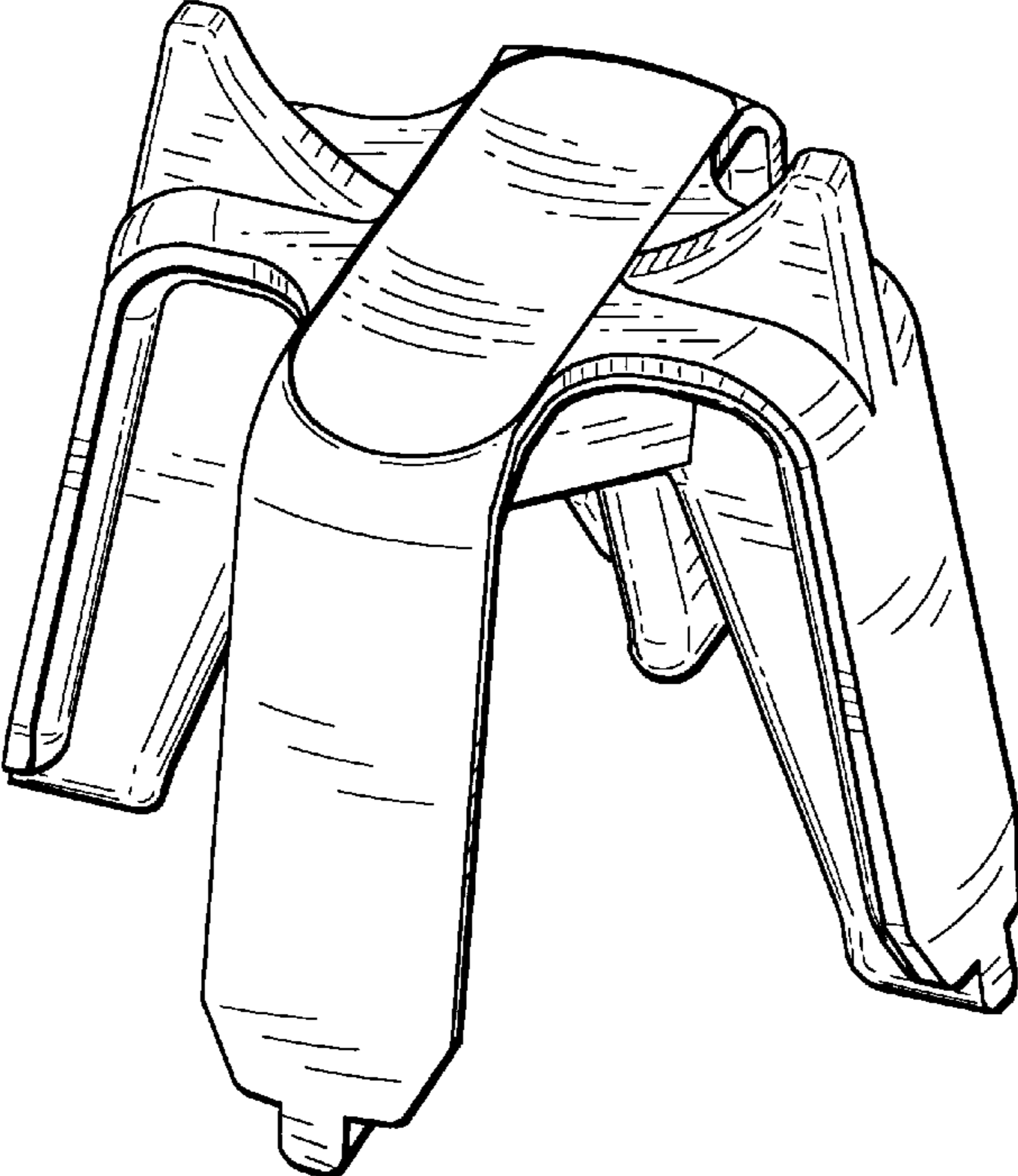


FIG. 1

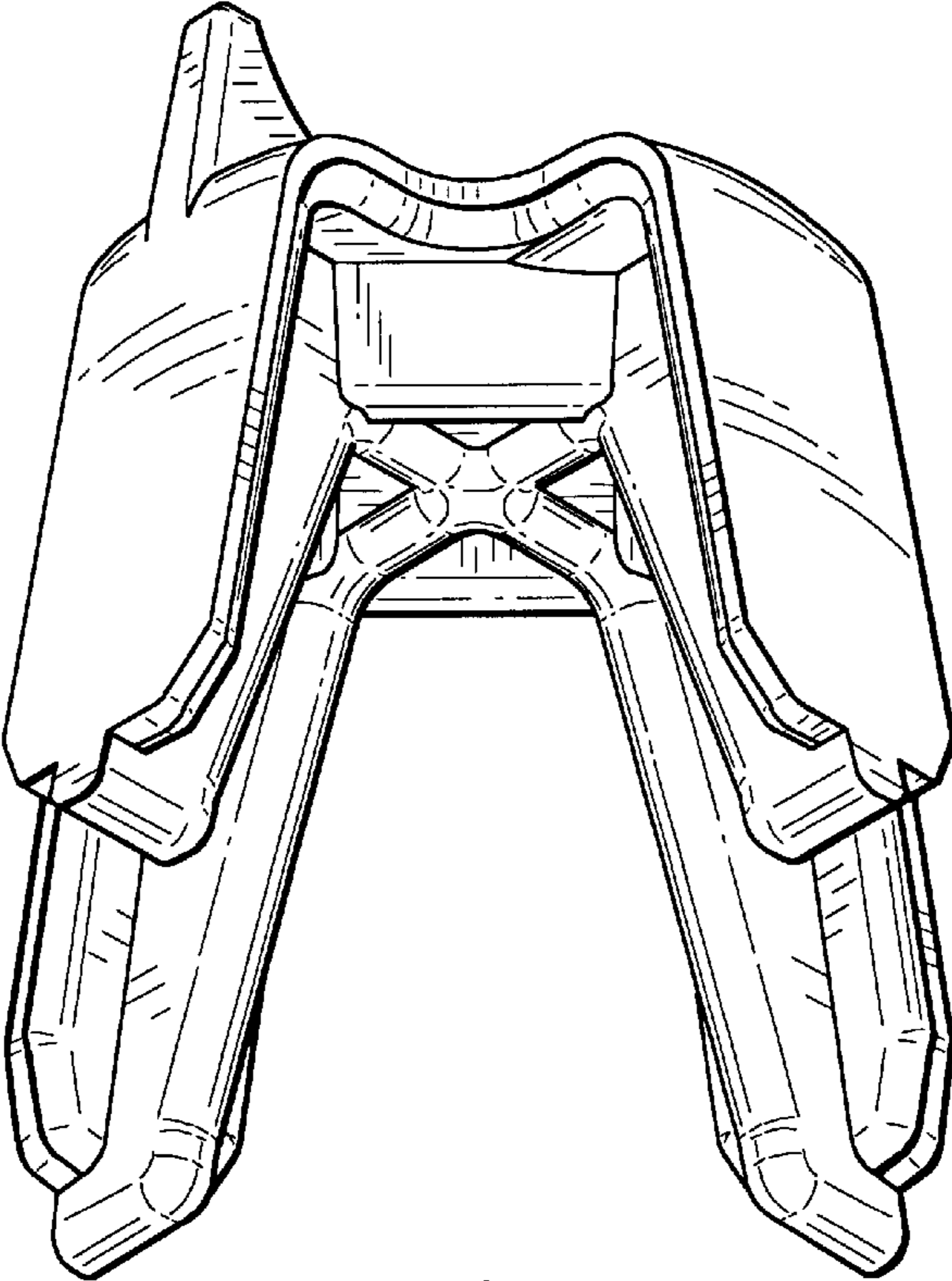
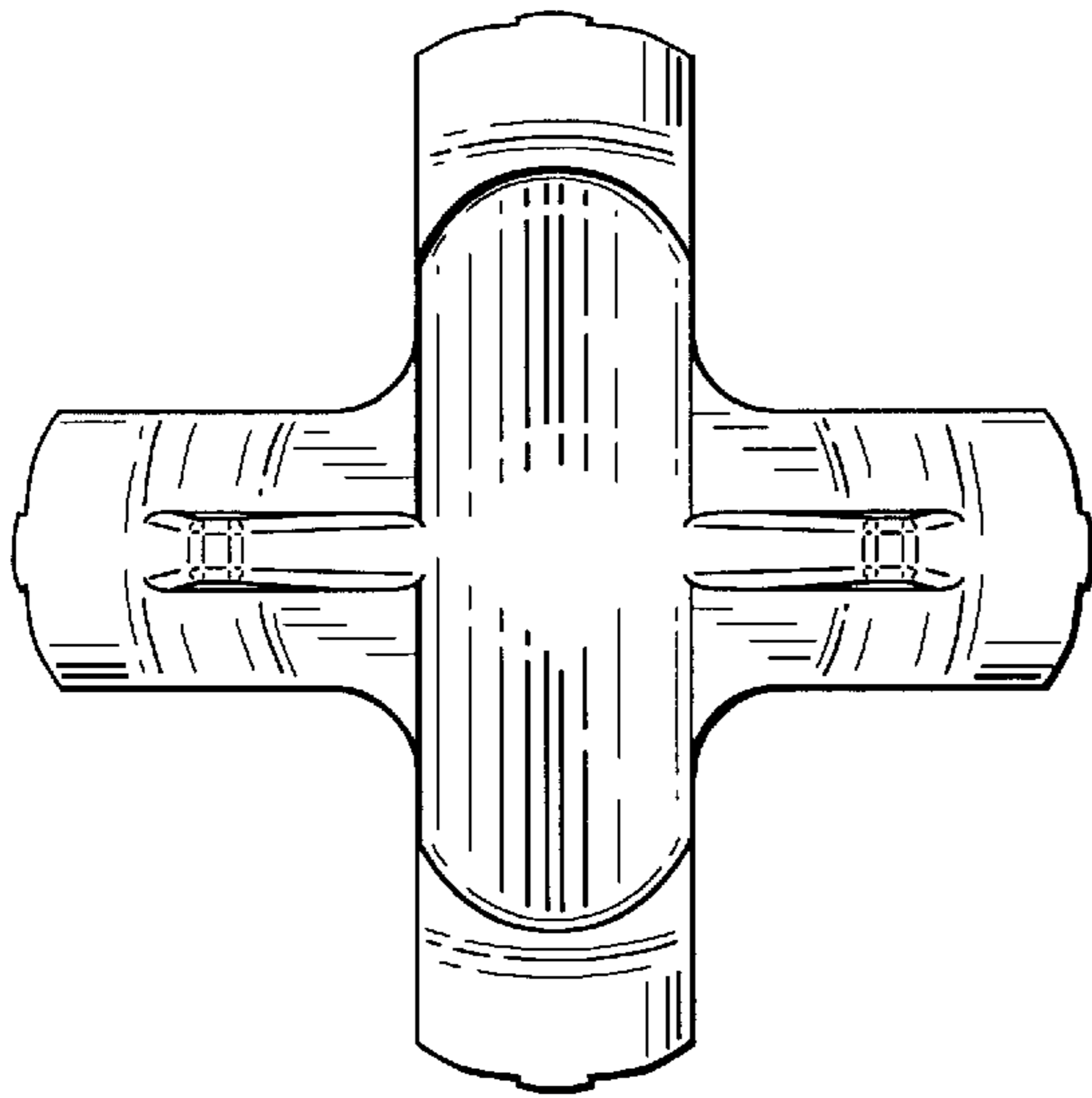
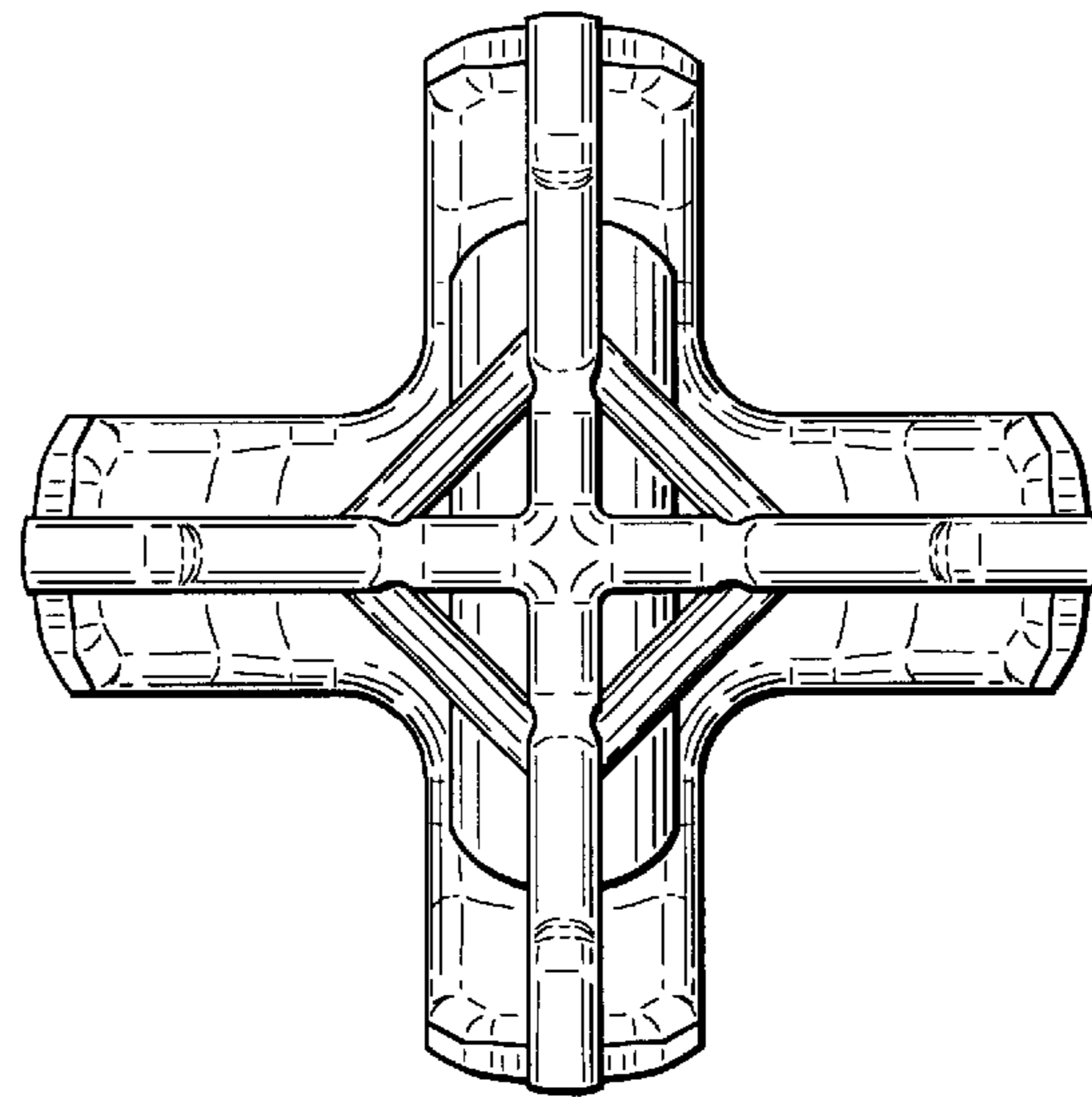


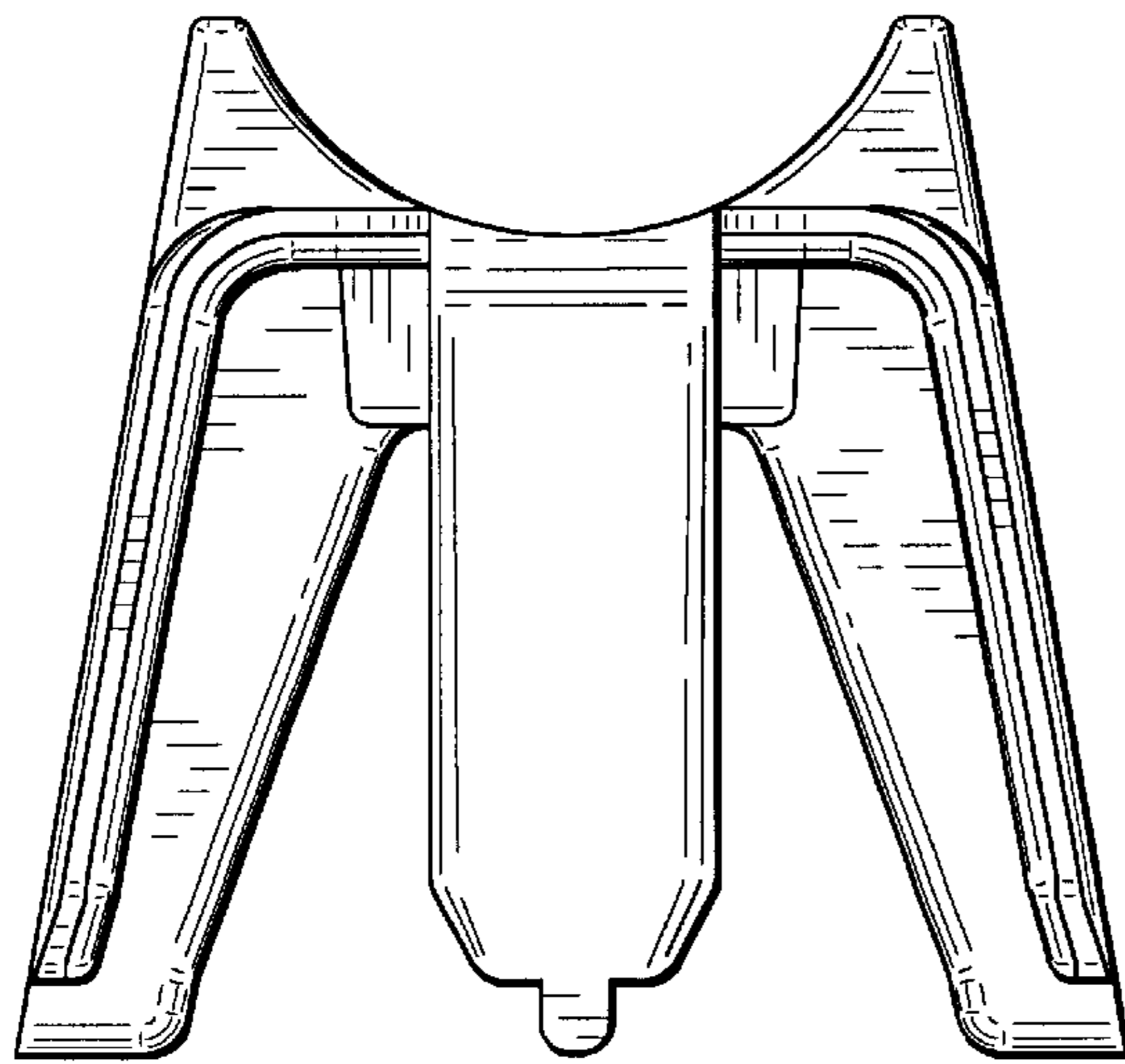
FIG. 2



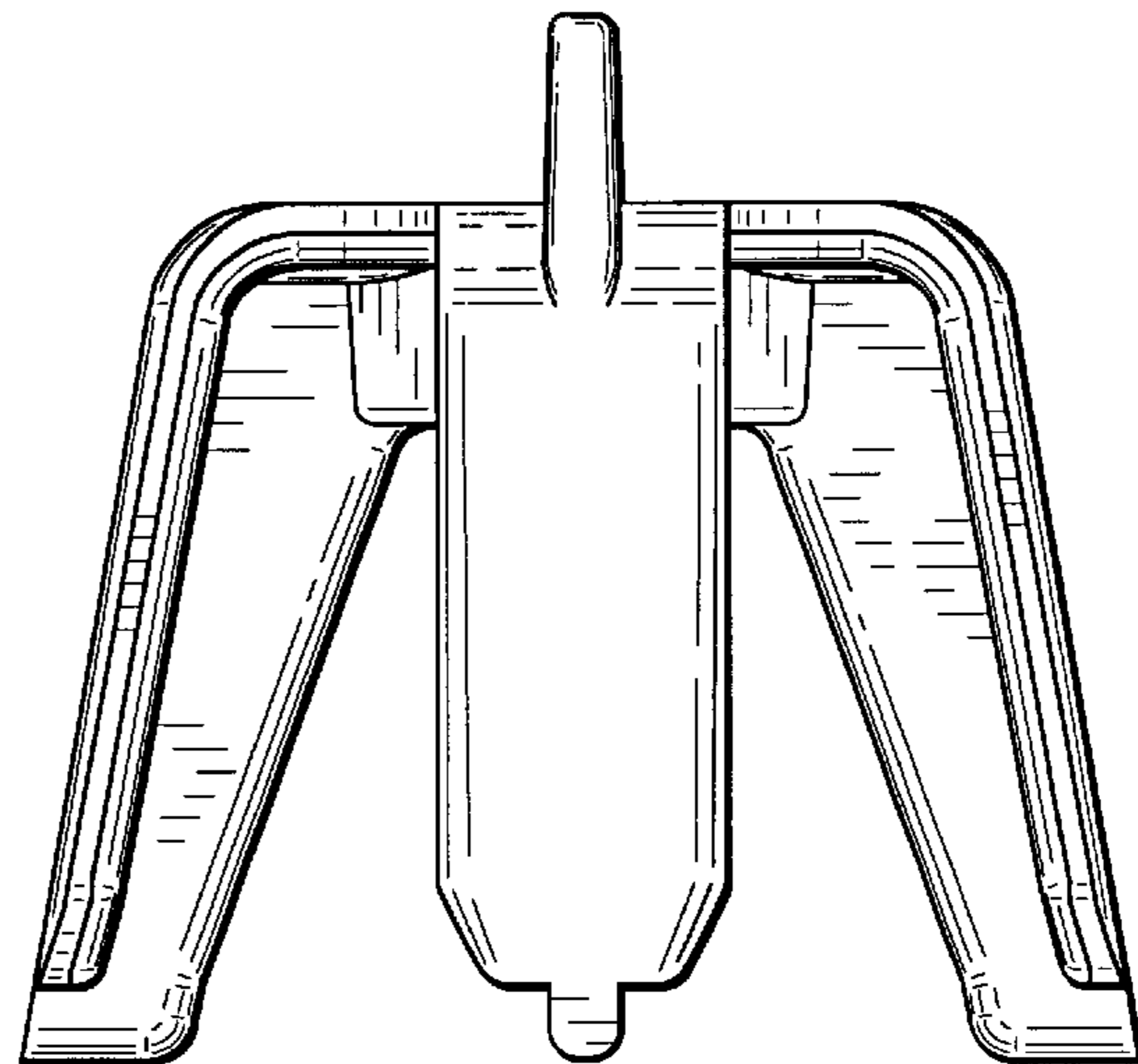
**FIG. 3**



**FIG. 4**



**FIG. 5**



**FIG. 6**