

US00D500667S

(12) **United States Design Patent** (10) **Patent No.:** **US D500,667 S**
Murphy et al. (45) **Date of Patent:** **** Jan. 11, 2005**

(54) **CORNER SUPPORT BRACKET** 4,616,757 A * 10/1986 Hobson 211/189
5,186,571 A * 2/1993 Hentzschel 403/231
(75) Inventors: **Richard W. Murphy**, Stuart, FL (US); 5,335,452 A 8/1994 Taylor
John Joseph Murphy, Stuart, FL (US) D397,014 S 8/1998 Wilson
5,829,549 A 11/1998 Flynn
(73) Assignee: **Innovative Safety Products** 6,220,577 B1 4/2001 Ostrow
Incorporated, Stuart, FL (US) 6,345,689 B1 2/2002 McNamee
D471,291 S 3/2003 Ammons
(**) Term: **14 Years** D473,125 S 4/2003 Conroy
D488,053 S * 4/2004 Murphy D8/354
6,779,304 B2 * 8/2004 Murphy 49/57

(21) Appl. No.: **29/199,613**

(22) Filed: **Feb. 18, 2004**

(51) **LOC (7) Cl.** **08-05**

(52) **U.S. Cl.** **D8/354**

(58) **Field of Search** D8/349, 354, 363,
D8/366, 380; D25/126, 131, 134; 49/50,
57, 463; 52/202, DIG. 12; 182/87, 112,
113; 248/220.1, 247, 300; 256/65.03, 65.04,
65.06, 65.07, DIG. 6; 403/231, 232.1

(56) **References Cited**

U.S. PATENT DOCUMENTS

212,242 A 2/1879 Loper, Jr.
D25,397 S * 4/1896 Stark D8/380
3,282,547 A 11/1966 Ables
3,376,669 A 4/1968 Johnston
3,669,480 A * 6/1972 Fugate 403/400
3,811,644 A * 5/1974 Arnault 248/56
3,980,328 A 9/1976 Pearson et al.
4,082,332 A 4/1978 Palmer
D270,572 S 9/1983 Black

* cited by examiner

Primary Examiner—Joel A. Sincavage

Assistant Examiner—Elizabeth Albert

(74) *Attorney, Agent, or Firm*—Christopher & Weisberg, P.A.

(57) **CLAIM**

The ornamental design for a corner support bracket, as shown.

DESCRIPTION

FIG. 1 is a front perspective view of the bracket in accordance with the invention;

FIG. 2 is a top view thereof on an enlarged scale;

FIG. 3 is a bottom view thereof;

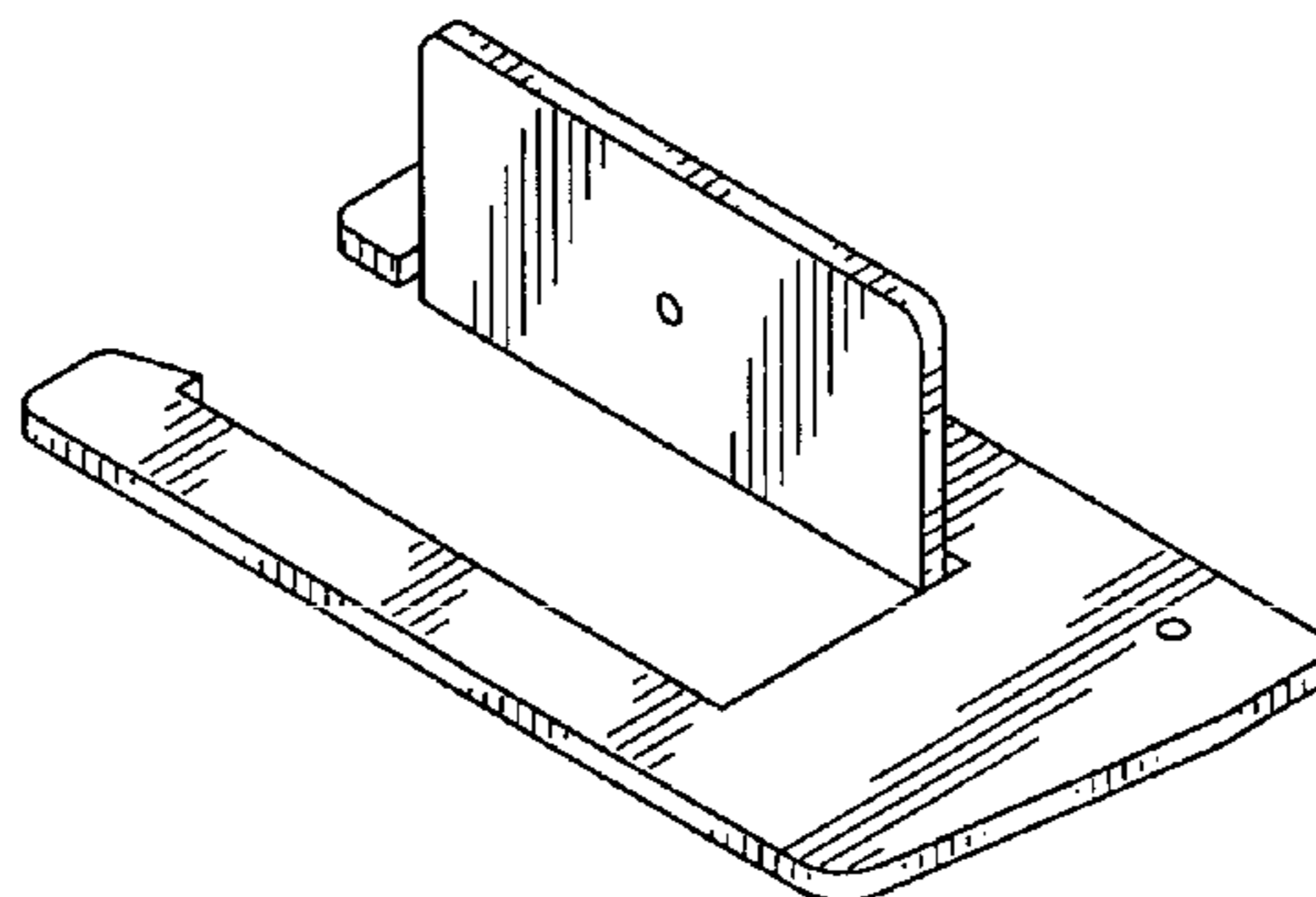
FIG. 4 is a side view thereof;

FIG. 5 is an opposite side view thereof;

FIG. 6 is a rear view thereof; and,

FIG. 7 is a front view thereof.

1 Claim, 3 Drawing Sheets



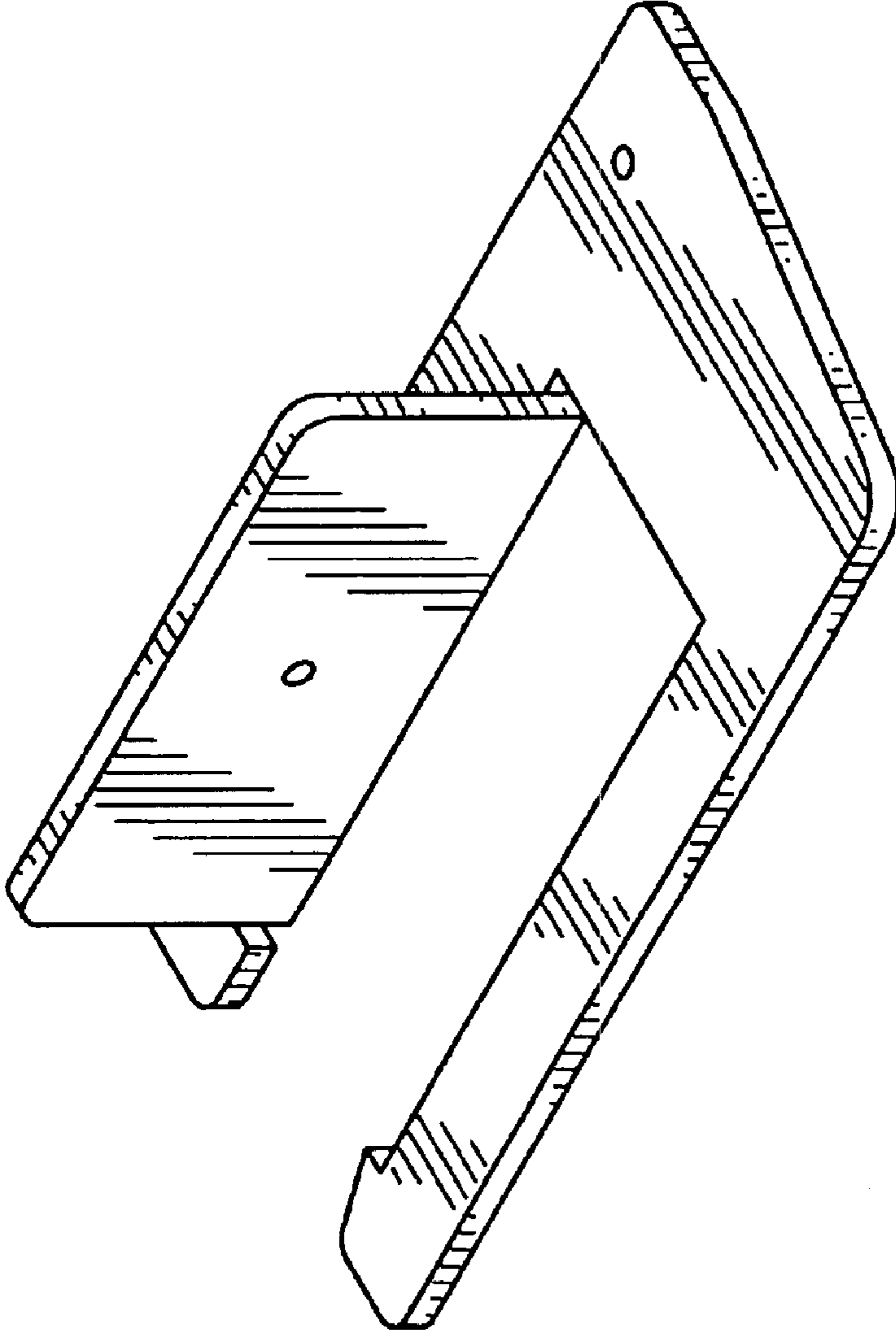


Fig. 1

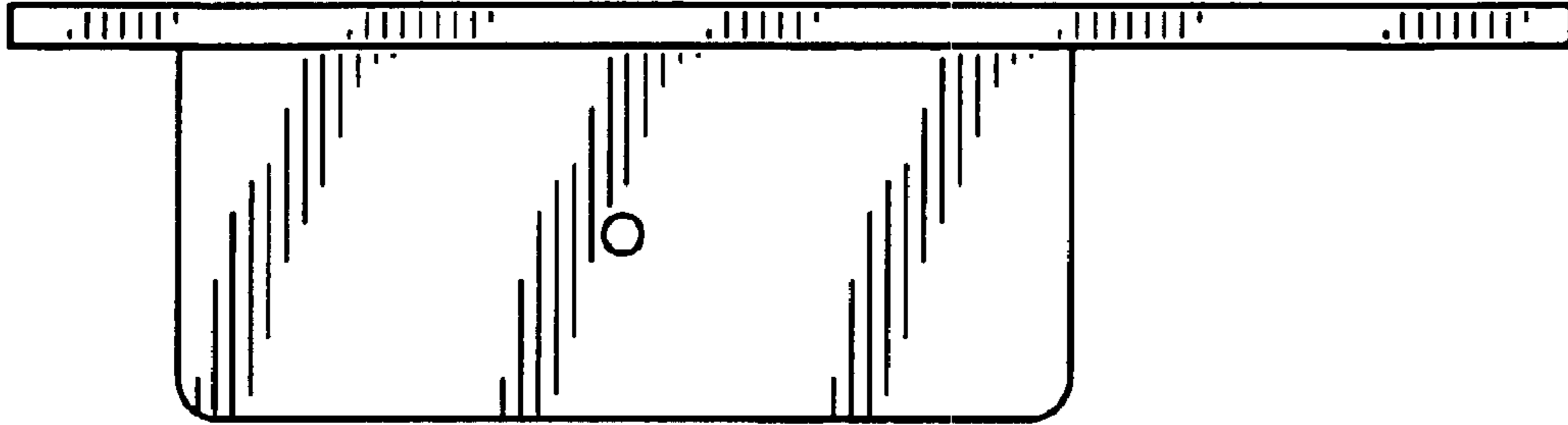


Fig. 5

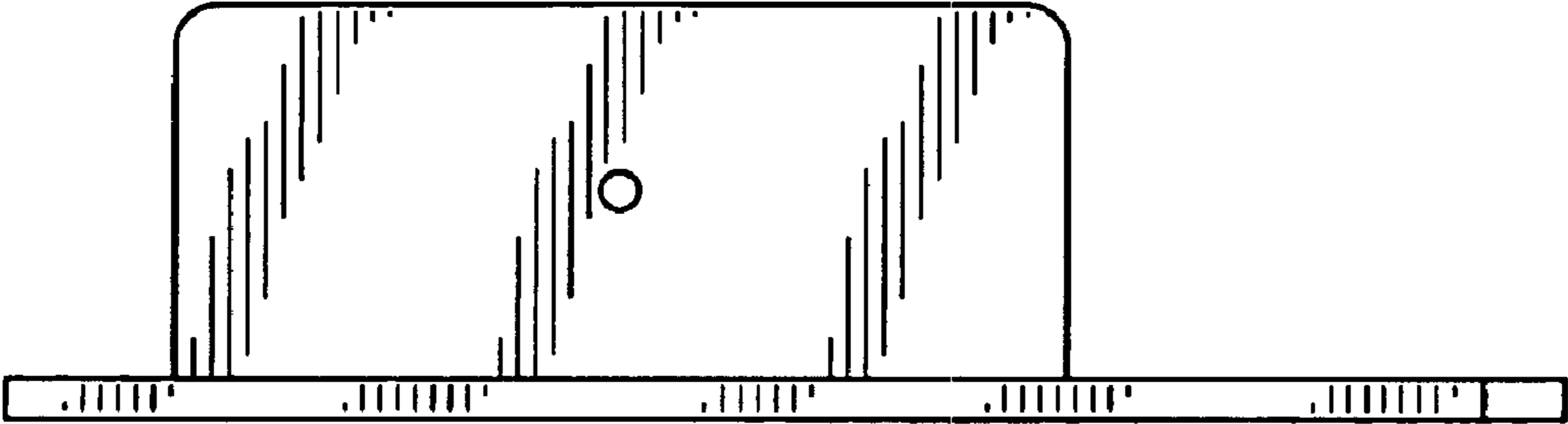


Fig. 4

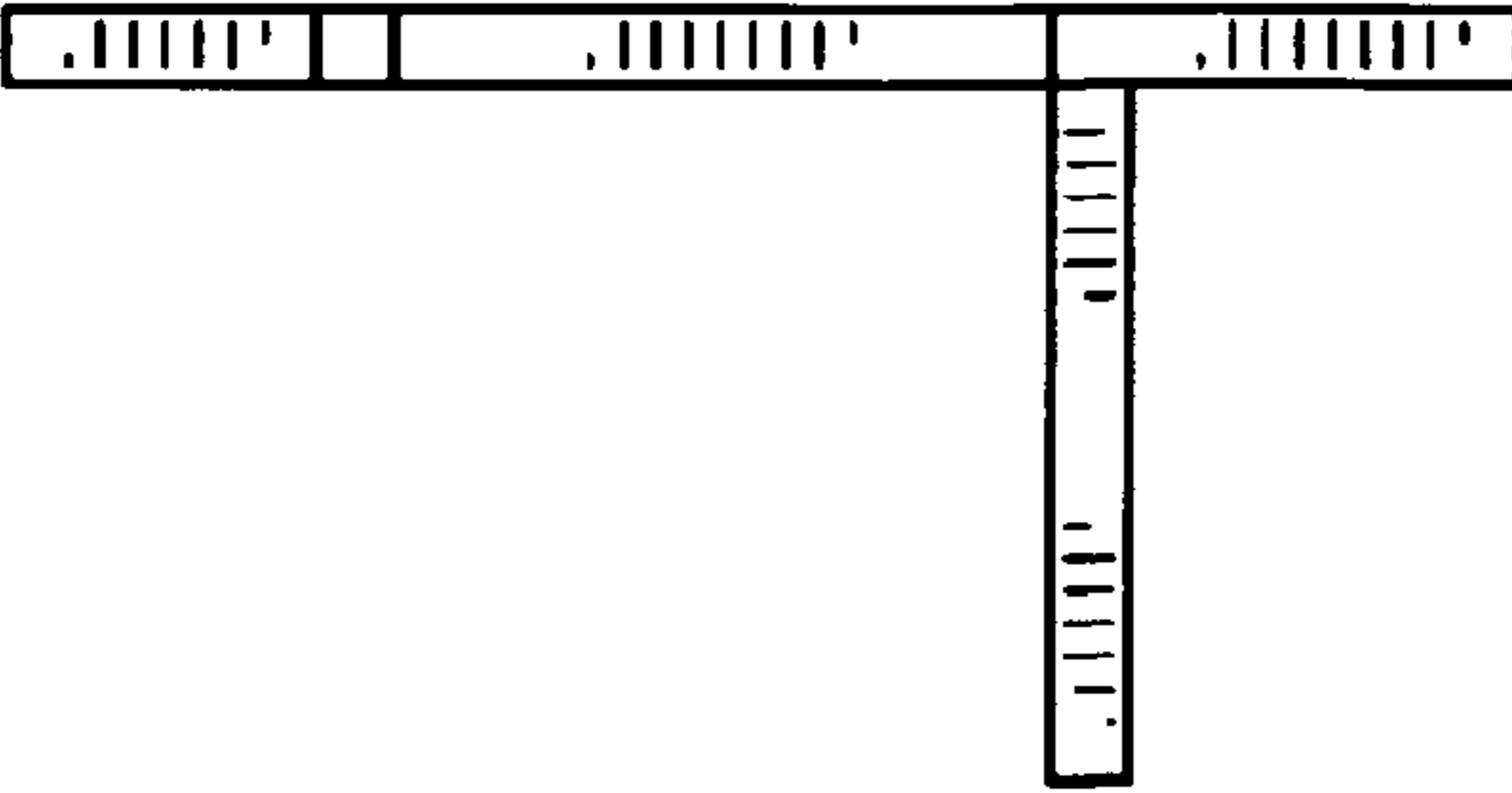


Fig. 2

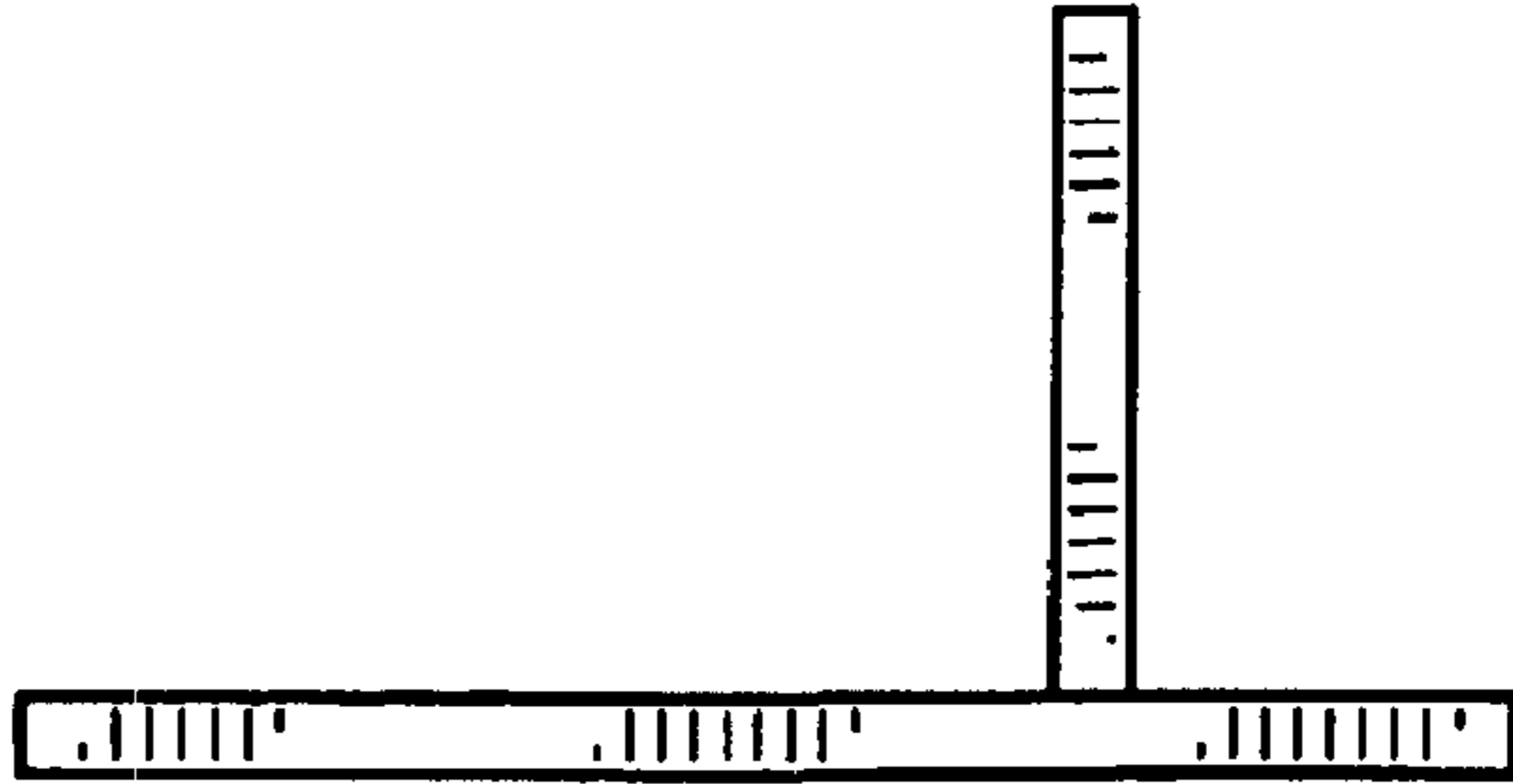


Fig. 3

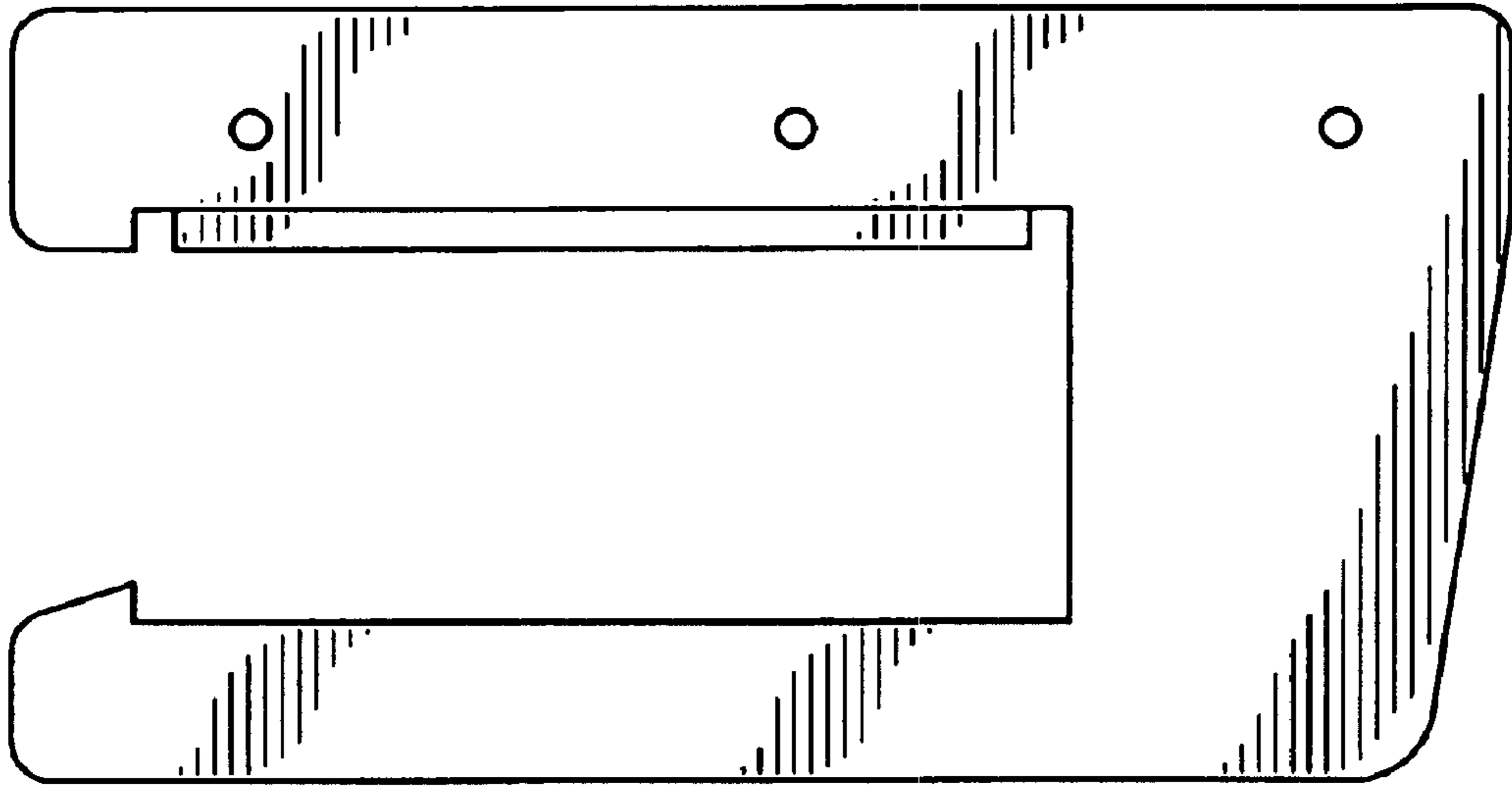


Fig. 7

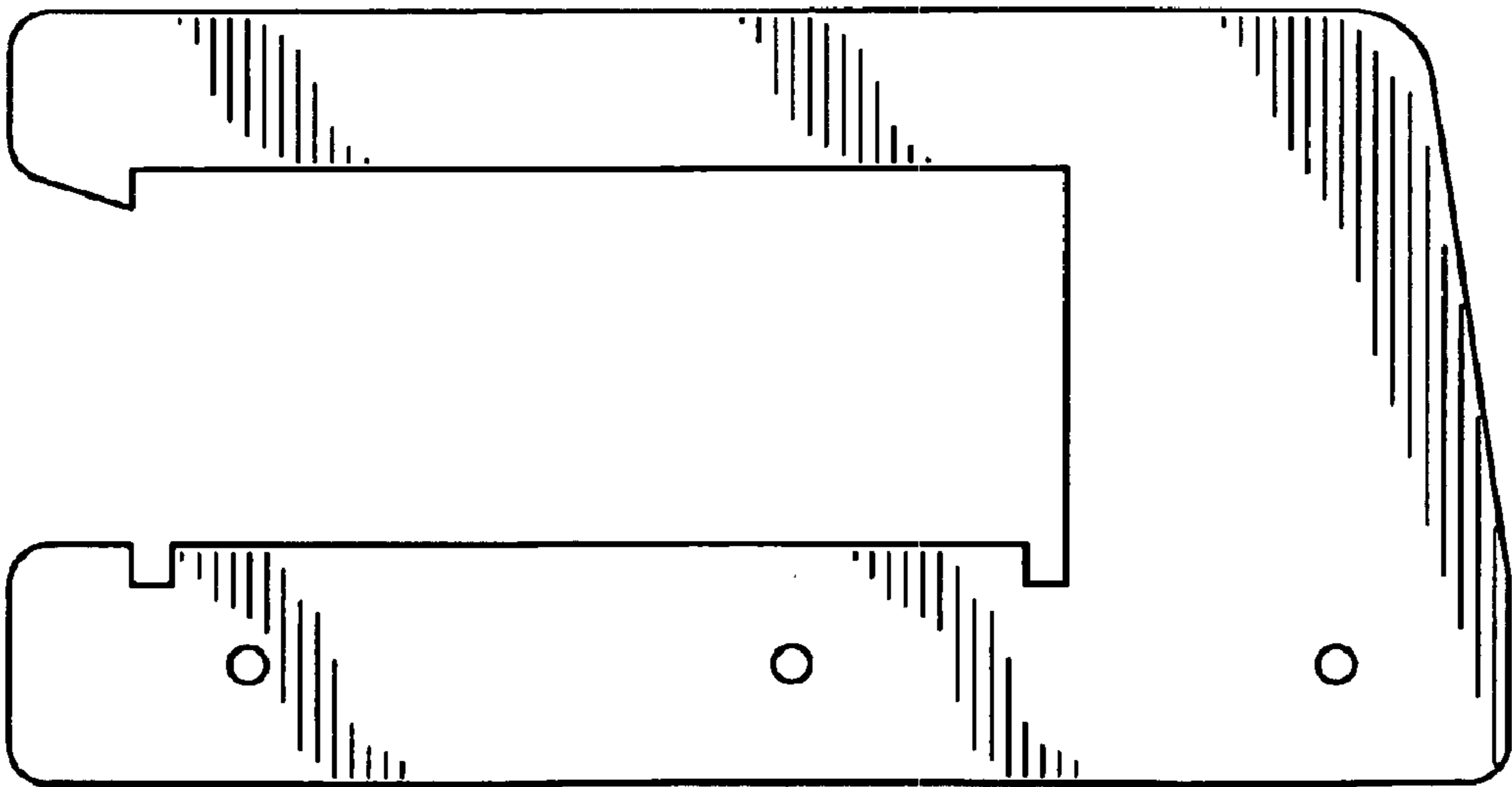


Fig. 6