

US00D500666S

(12) **United States Design Patent**
Murphy et al.

(10) **Patent No.: US D500,666 S**
(45) **Date of Patent: ** Jan. 11, 2005**

(54) **DOUBLE BEAM CORNER SUPPORT BRACKET**

(75) Inventors: **Richard W. Murphy**, Stuart, FL (US);
John Joseph Murphy, Stuart, FL (US)

(73) Assignee: **Innovative Safety Products Incorporated**, Stuart, FL (US)

(**) Term: **14 Years**

(21) Appl. No.: **29/199,612**

(22) Filed: **Feb. 18, 2004**

(51) **LOC (7) Cl.** **08-05**

(52) **U.S. Cl.** **D8/354**

(58) **Field of Search** D8/349, 354, 363,
D8/366, 380; D25/126, 131, 134; 49/50,
57, 463; 52/202, DIG. 12; 182/87, 112,
113; 248/220.1, 247, 300; 256/65.03, 65.04,
65.06, 65.07, DIG. 6; 403/231, 232.1

(56) **References Cited**

U.S. PATENT DOCUMENTS

212,242 A	2/1879	Loper, Jr.	
D25,397 S	* 4/1896	Stark	D8/380
3,282,547 A	11/1966	Ables	
3,376,669 A	4/1968	Johnston	
3,669,480 A	* 6/1972	Fugate	403/400
3,811,644 A	* 5/1974	Arnault	248/56
3,980,328 A	9/1976	Pearson et al.	
4,082,332 A	4/1978	Palmer	
D270,572 S	9/1983	Black	

4,616,757 A	* 10/1986	Hobson	211/189
5,186,571 A	* 2/1993	Hentzschel	403/231
5,335,452 A	8/1994	Taylor	
D397,014 S	8/1998	Wilson	
5,829,549 A	11/1998	Flynn	
6,220,577 B1	4/2001	Ostrow	
6,345,689 B1	2/2002	McNamee	
D471,291 S	3/2003	Ammons	
D473,125 S	4/2003	Conroy	
D488,053 S	* 4/2004	Murphy	D8/354
6,779,304 B2	* 8/2004	Murphy	49/57

* cited by examiner

Primary Examiner—Joel A. Sincavage

Assistant Examiner—Elizabeth Albert

(74) *Attorney, Agent, or Firm*—Christopher & Weisberg, P.A.

(57) **CLAIM**

The ornamental design for a double beam corner support bracket, as shown.

DESCRIPTION

FIG. 1 is front perspective view of a bracket in accordance with the invention;

FIG. 2 is rear view thereof on an enlarged scale;

FIG. 3 is a top view thereof;

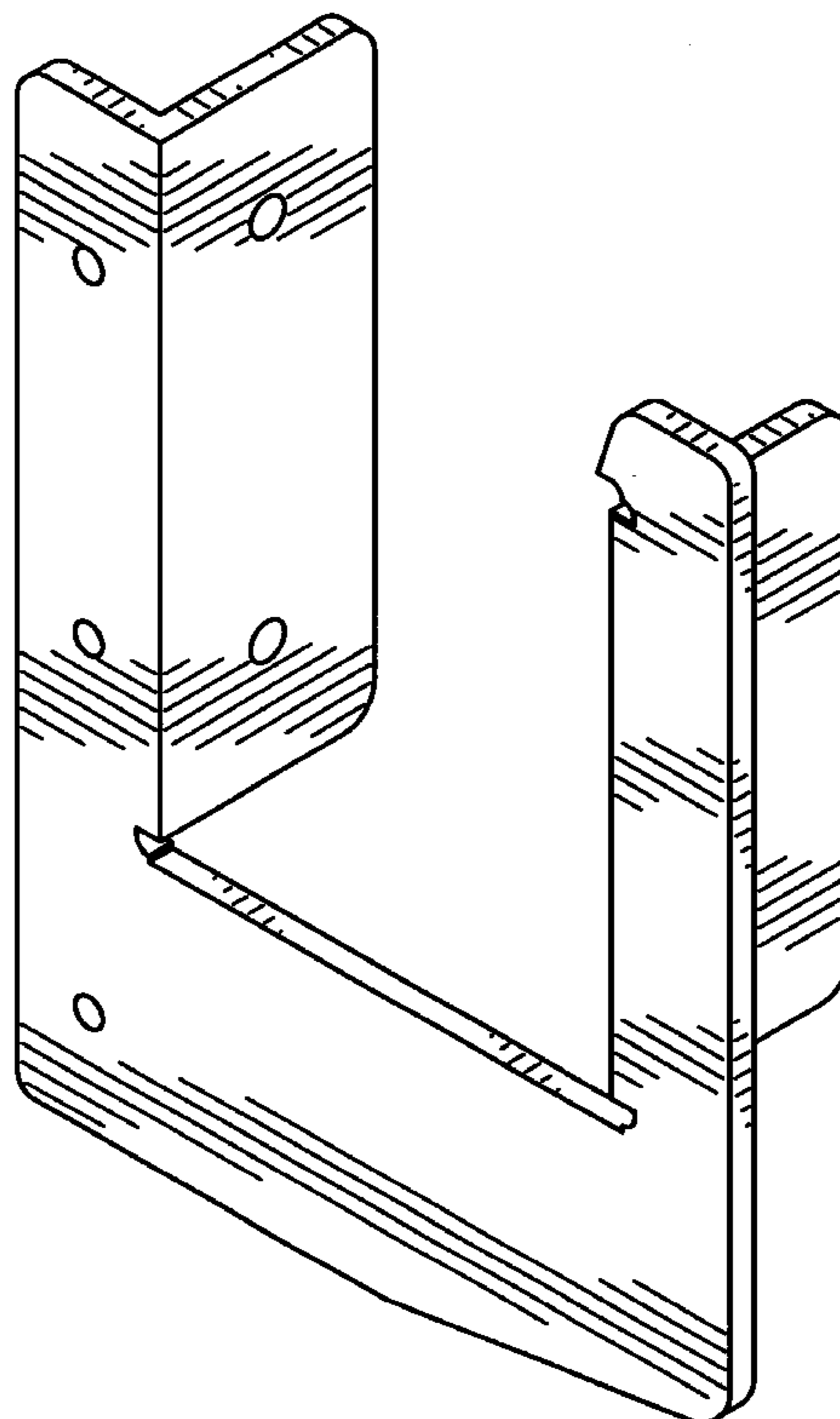
FIG. 4 is a side view thereof;

FIG. 5 is an opposite side view thereof;

FIG. 6 is a front view thereof; and,

FIG. 7 is a bottom view thereof.

1 Claim, 4 Drawing Sheets



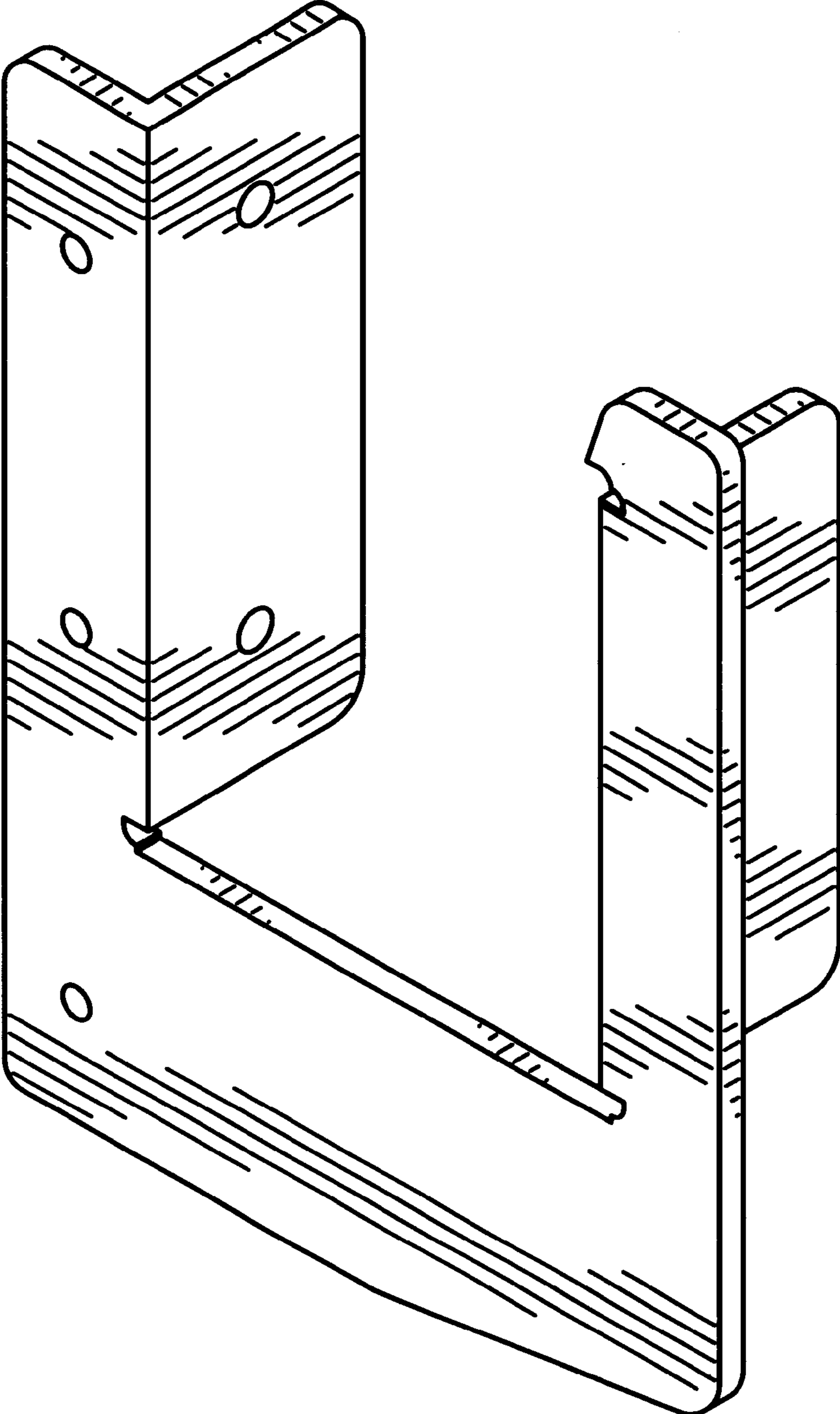


Fig. 1

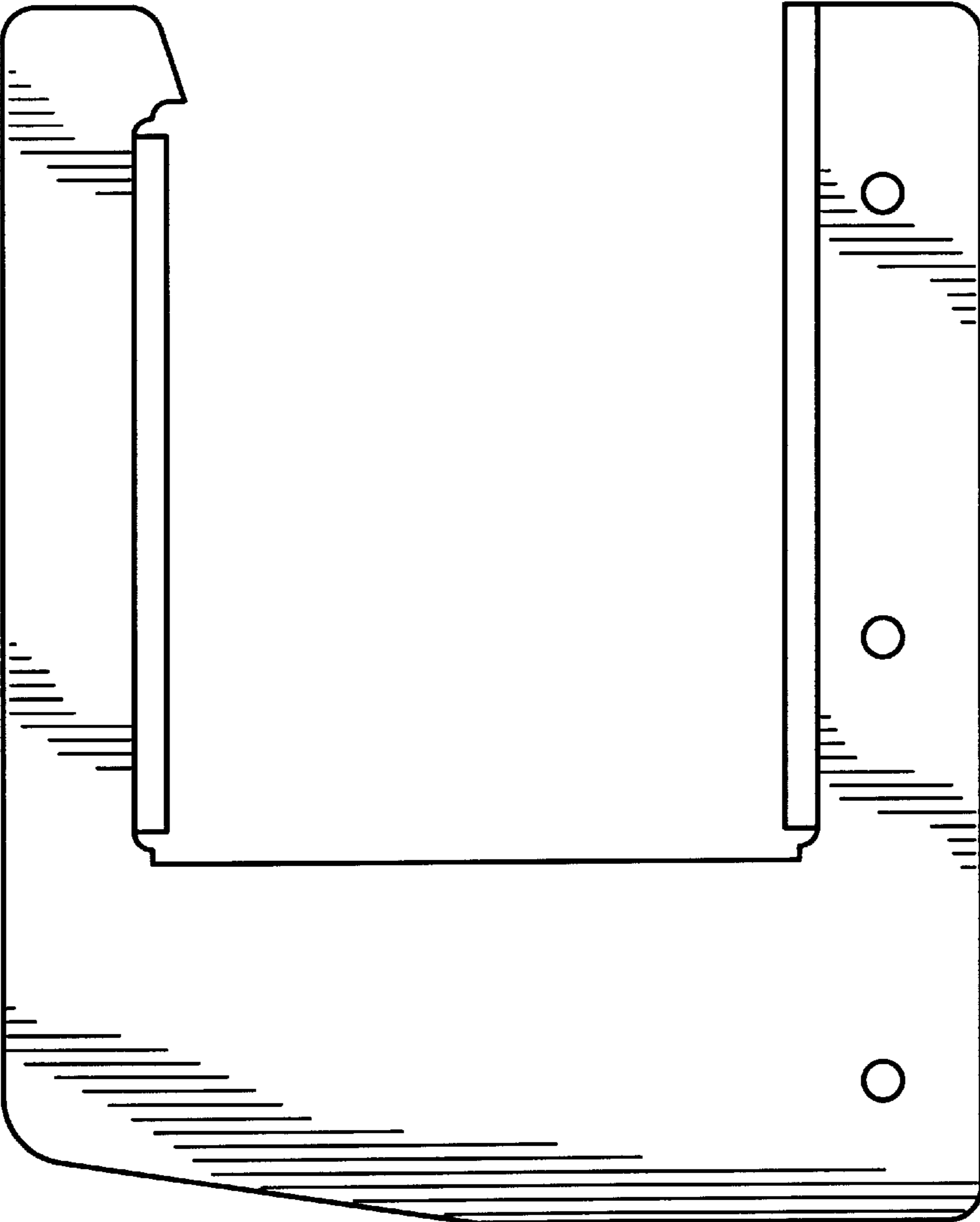


Fig. 2

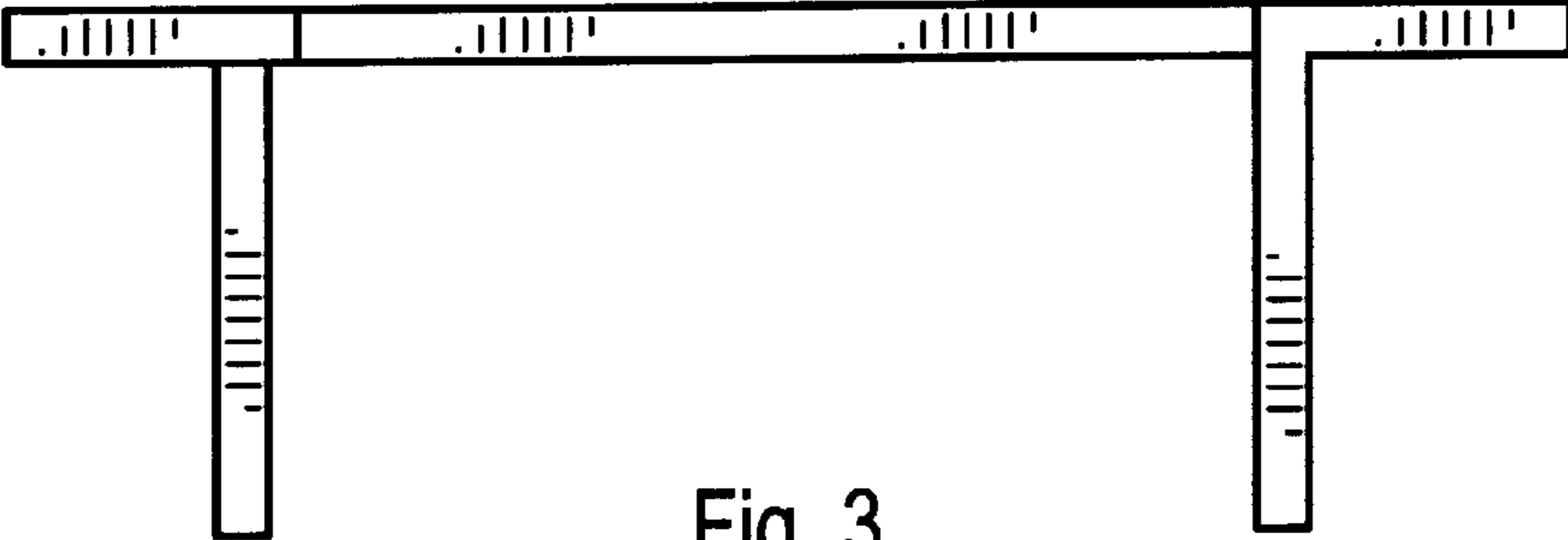
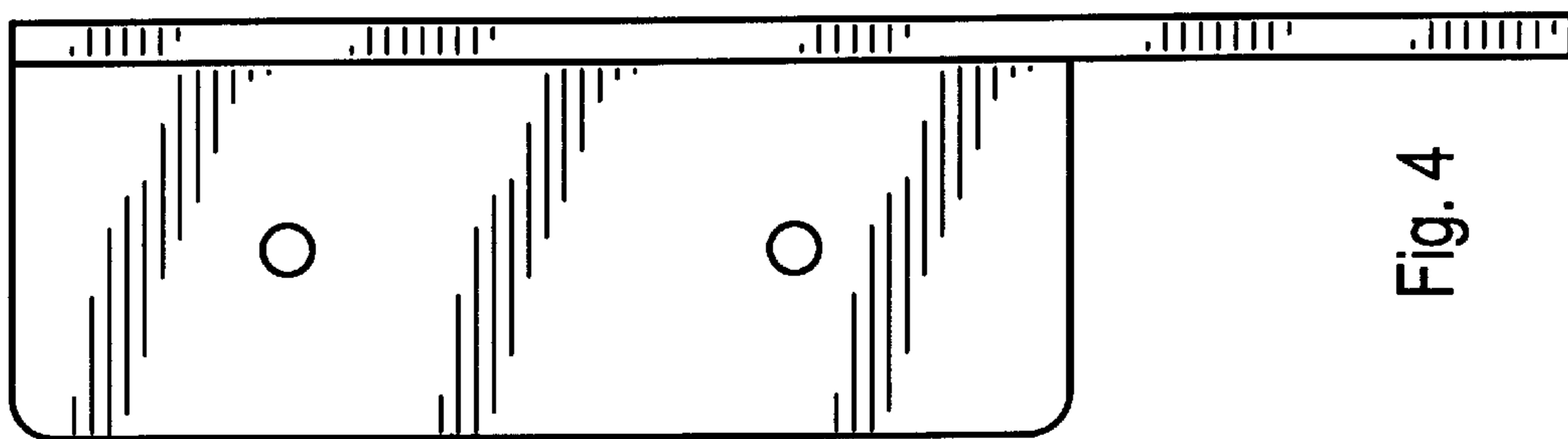
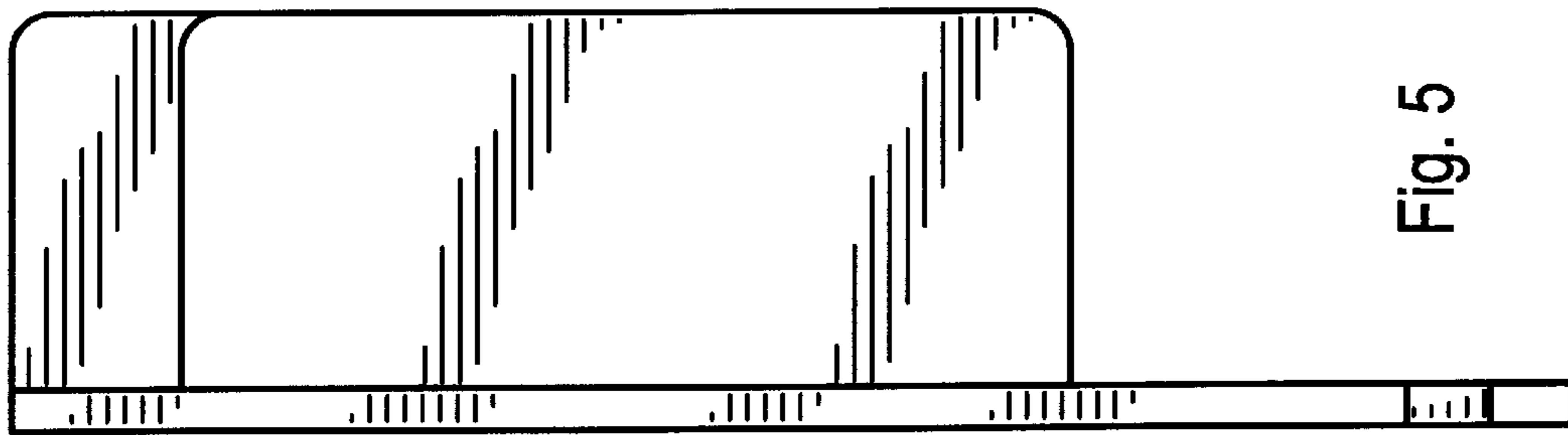


Fig. 3



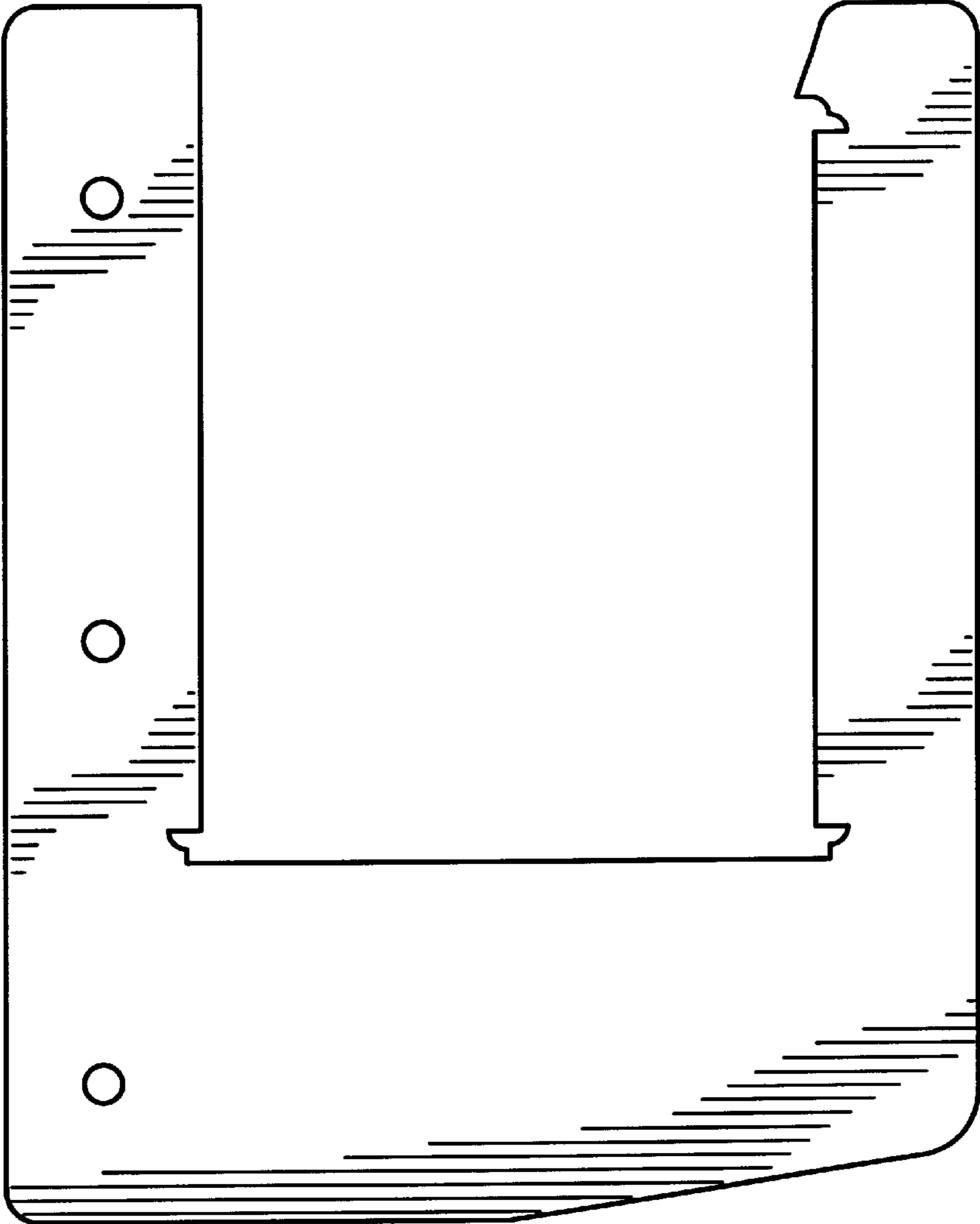


Fig. 6

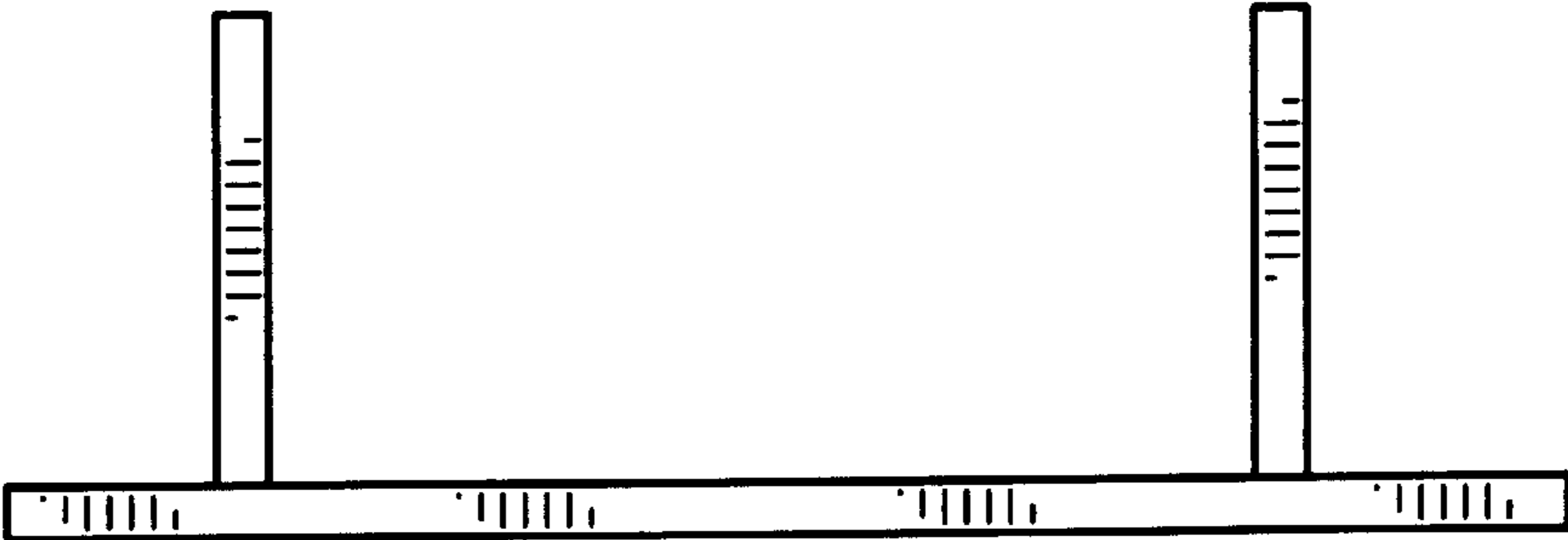


Fig. 7