

US00D500665S

(12) **United States Design Patent**
Sorkin

(10) **Patent No.:** **US D500,665 S**
(45) **Date of Patent:** **** Jan. 11, 2005**

(54) **PAVING CHAIR**

(76) **Inventor:** **Felix L. Sorkin**, 13022 Trinity Dr.,
Stafford, TX (US) 77477

(**) **Term:** **14 Years**

(21) **Appl. No.:** **29/191,971**

(22) **Filed:** **Oct. 17, 2003**

(51) **LOC (7) Cl.** **08-05**

(52) **U.S. Cl.** **D8/354**

(58) **Field of Search** D8/349, 354, 380,
D8/384; D25/199; 52/677, 678, 679, 682,
684, 685, 686, 687, 688, 689; 404/134,
135, 136

(56) **References Cited**

U.S. PATENT DOCUMENTS

3,673,753	A	*	7/1972	Anderson	52/685
D240,708	S	*	7/1976	Ilukowicz	D25/199
4,644,727	A	*	2/1987	Hanson et al.	52/687
D443,197	S	*	6/2001	Padrun	D8/354
D444,244	S	*	6/2001	McPherson et al.	D25/199
6,276,108	B1	*	8/2001	Padrun	52/684
D454,776	S	*	3/2002	Padrun	D8/354
6,354,054	B1	*	3/2002	Verelli et al.	52/686
6,557,317	B2	*	5/2003	Sorkin	52/684

D480,291	S	*	10/2003	Sorkin	D8/354
D482,262	S	*	11/2003	Sorkin	D8/354
2003/0000170	A1	*	1/2003	Sorkin	52/677
2004/0031228	A1	*	2/2004	Hardy et al.	52/687

* cited by examiner

Primary Examiner—Joel A. Sincavage

Assistant Examiner—Elizabeth Albert

(74) *Attorney, Agent, or Firm*—Harrison & Egbert

(57) **CLAIM**

I claim the ornamental design for a paving chair, as shown and described.

DESCRIPTION

FIG. 1 is an upper perspective view of the paving chair showing my design.

FIG. 2 is a top plan view thereof;

FIG. 3 is a bottom view thereof;

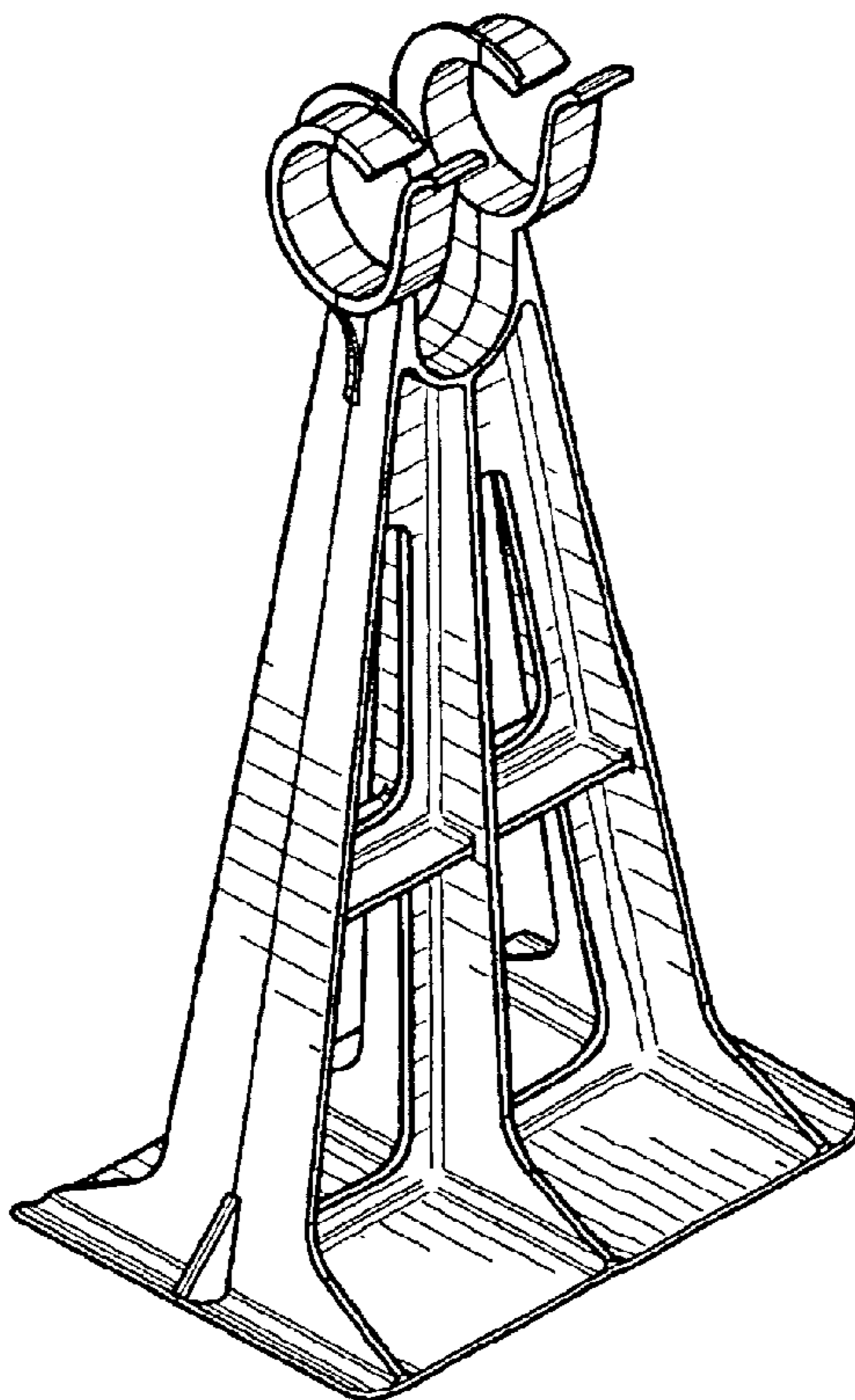
FIG. 4 is a front view thereof;

FIG. 5 is a back view thereof; and,

FIG. 6 is a side view thereof, wherein an opposite side view is a mirror image thereof.

The broken lines are presented to show contours for illustrative purposes.

1 Claim, 2 Drawing Sheets



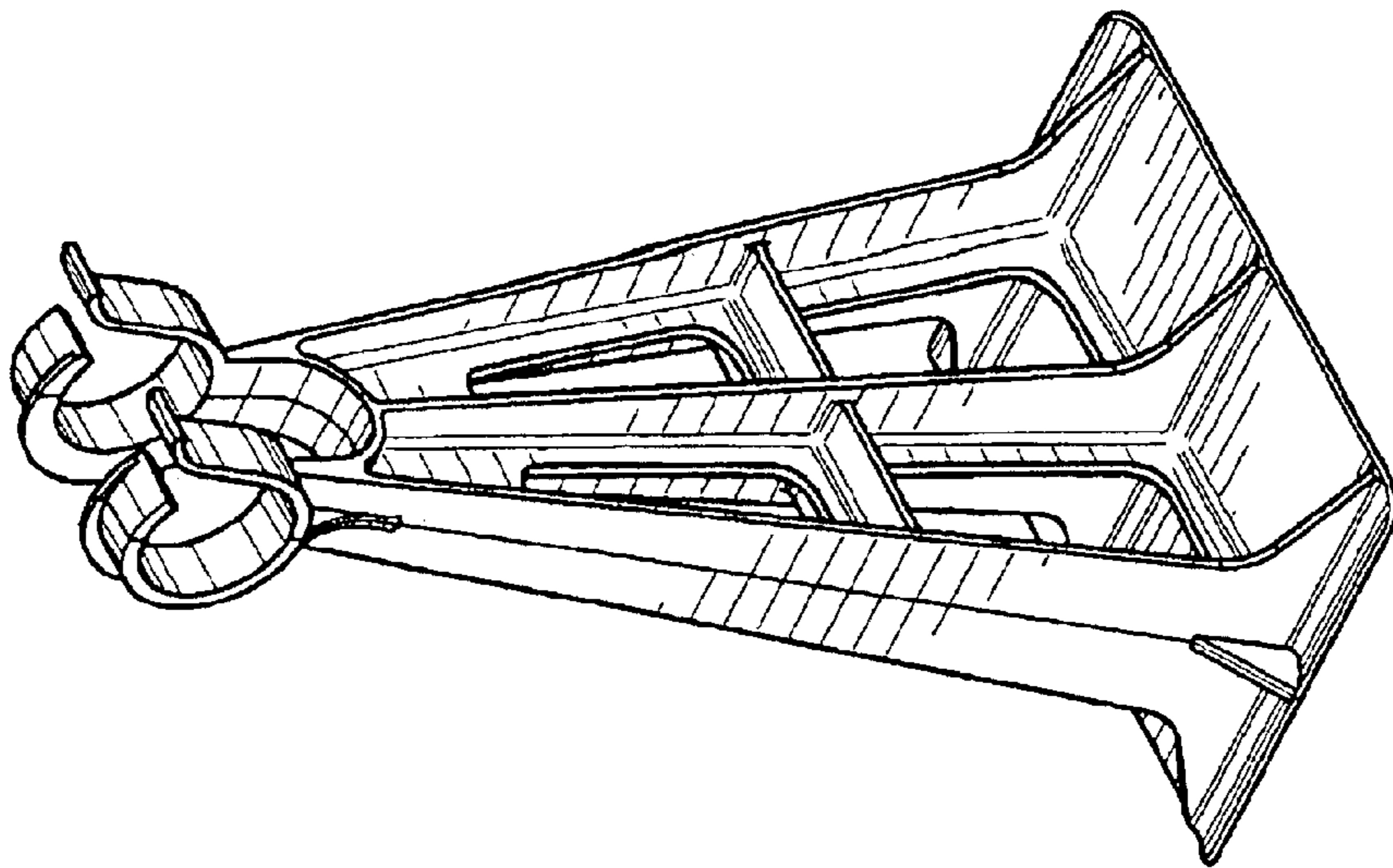


FIG. 1

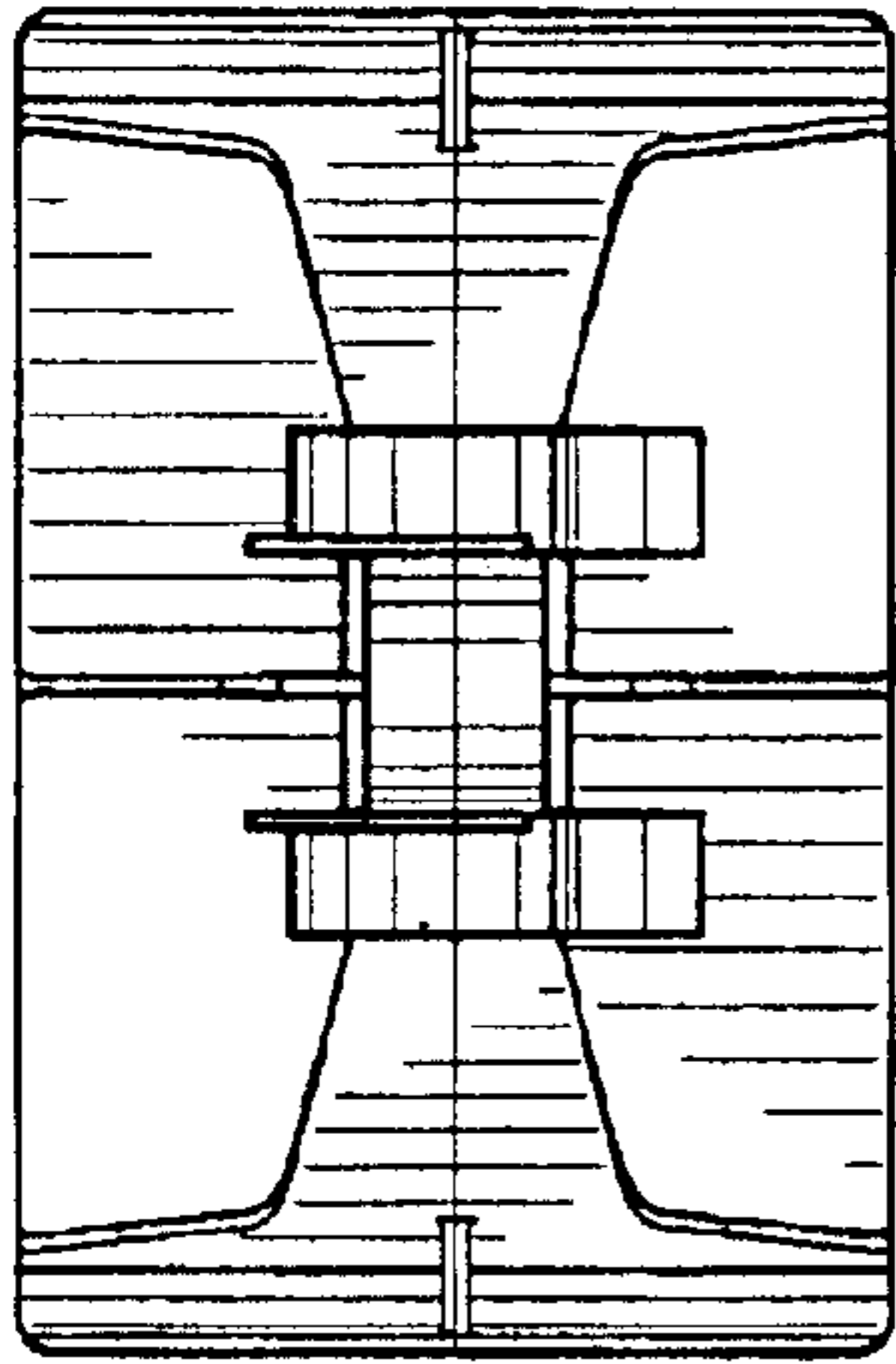


FIG. 2

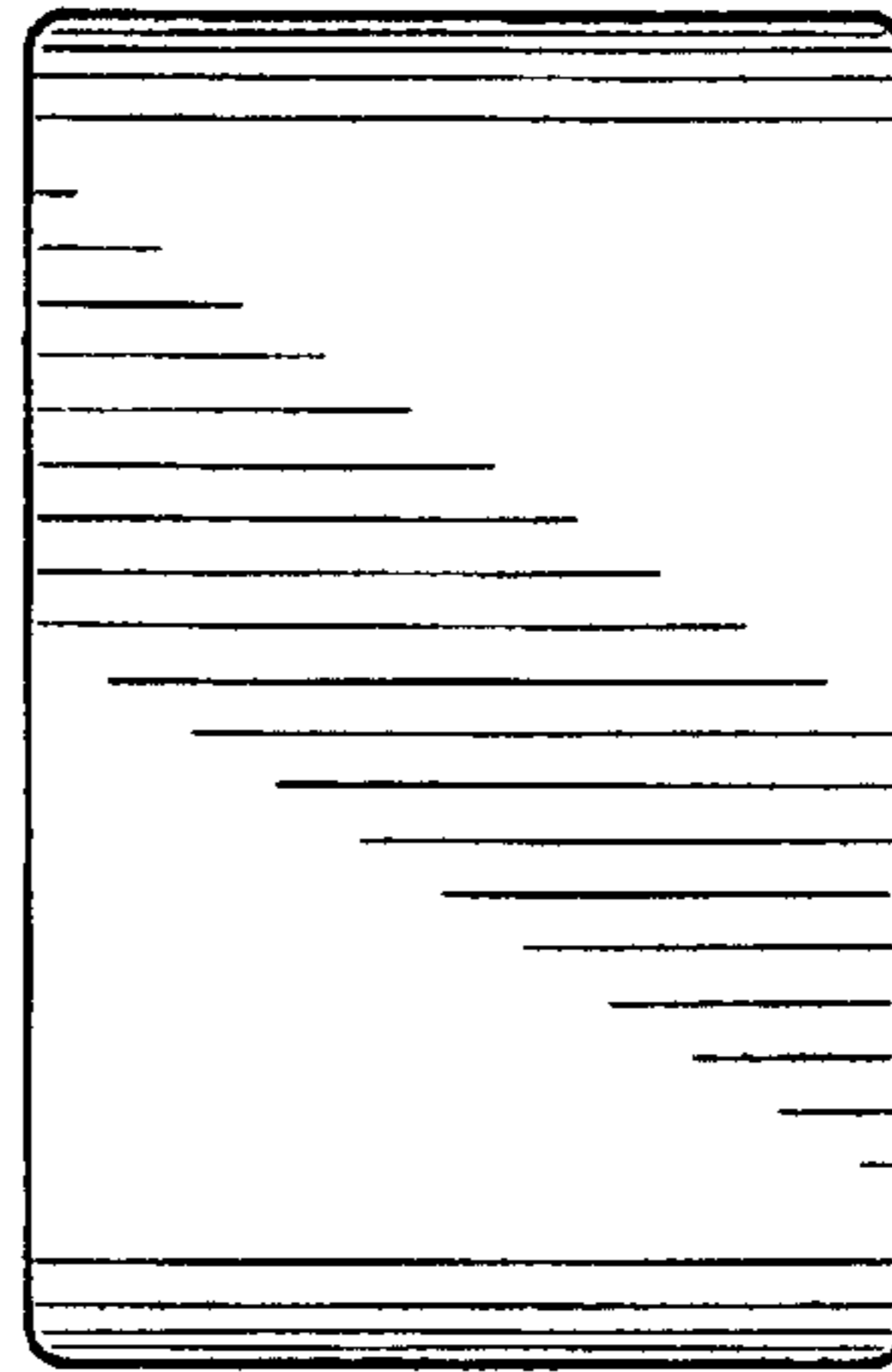


FIG. 3

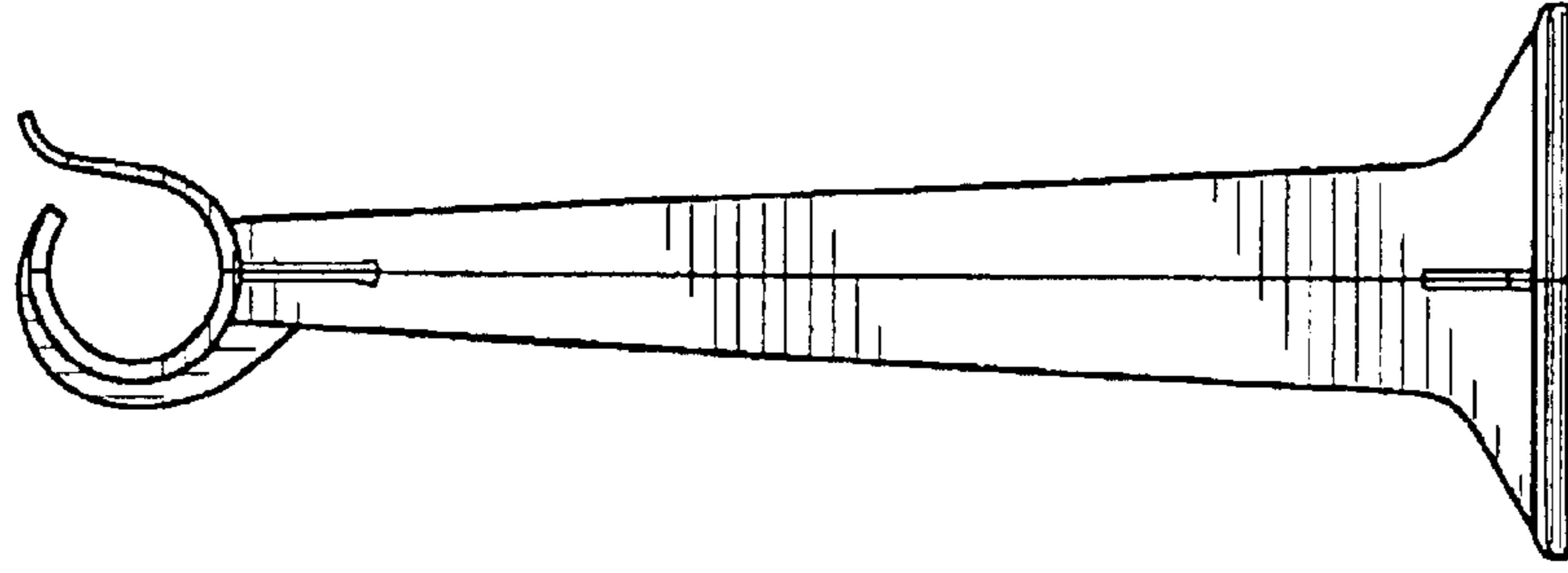


FIG. 6

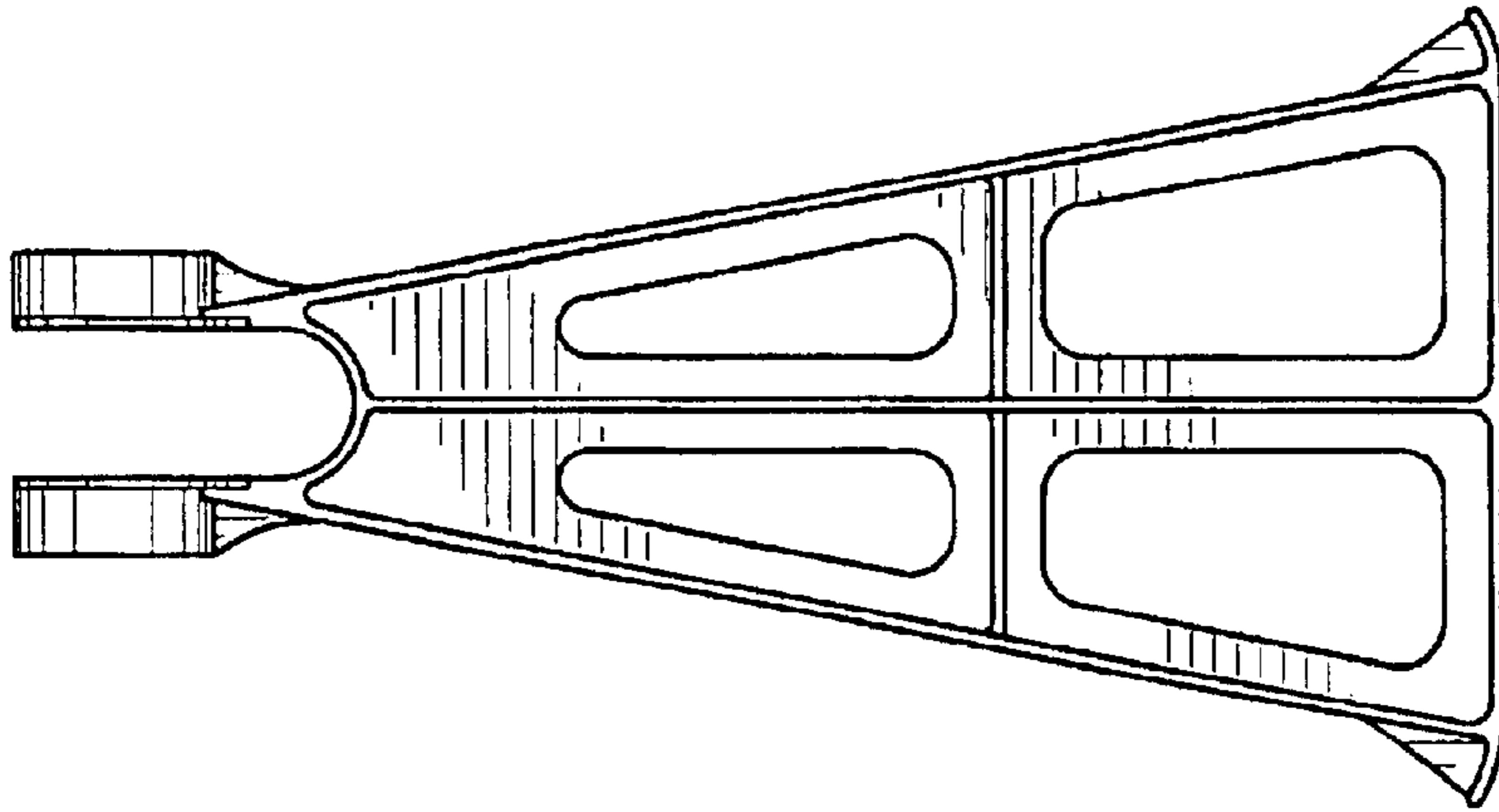


FIG. 5

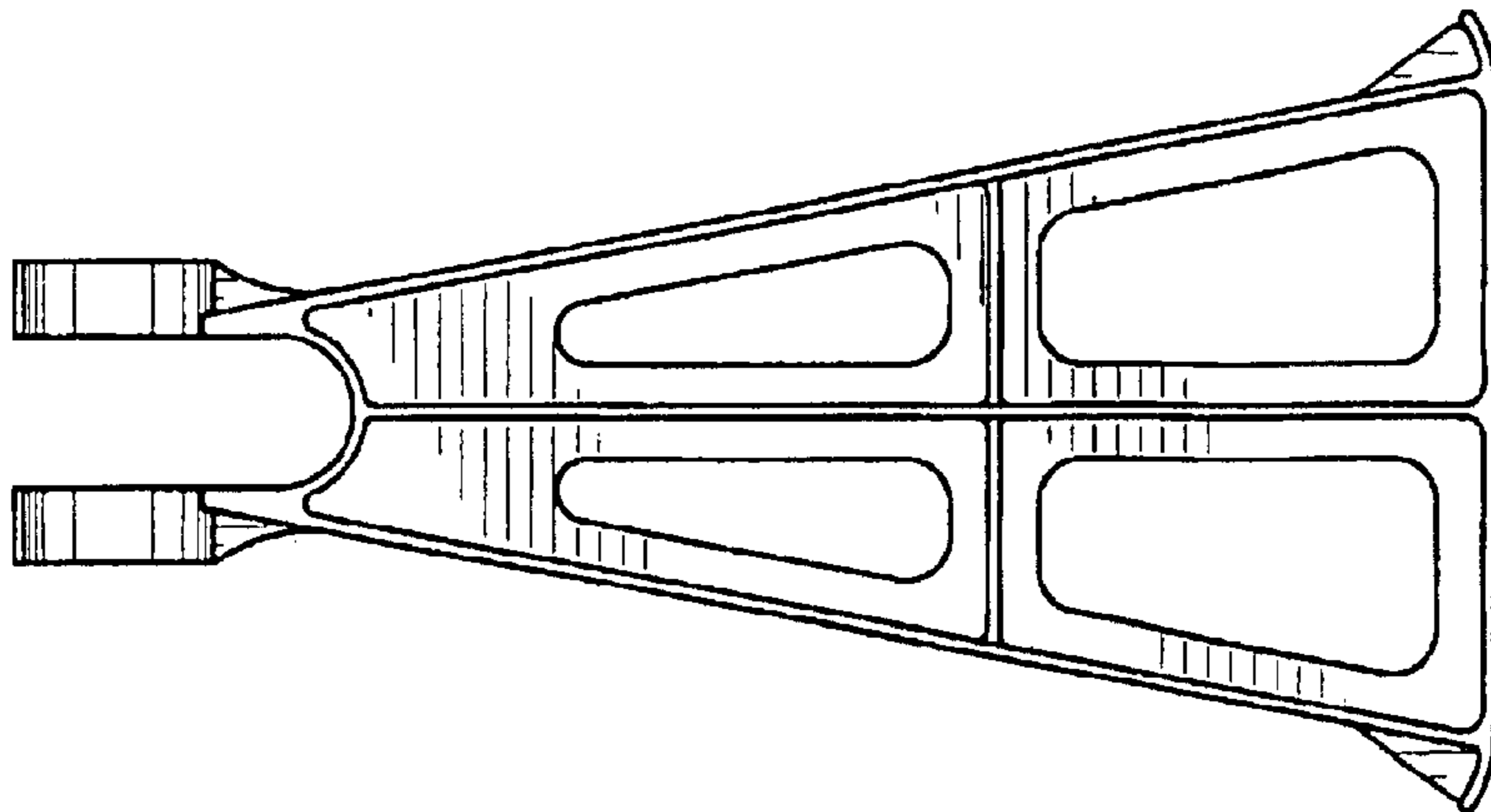


FIG. 4