



US00D500662S

(12) **United States Design Patent**
Lee

(10) **Patent No.: US D500,662 S**
(45) **Date of Patent: ** Jan. 11, 2005**

- (54) **STEERING WHEEL LOCK**
- (75) Inventor: **Victor Shiu-Pong Lee**, Chino Hills, CA (US)
- (73) Assignee: **Uni-Tat International, Inc.**, Chino Hills, CA (US)
- (**) Term: **14 Years**
- (21) Appl. No.: **29/197,653**
- (22) Filed: **Jan. 20, 2004**
- (51) **LOC (7) Cl.** **08-07**
- (52) **U.S. Cl.** **D8/339**
- (58) **Field of Search** D8/330, 331, 339,
D8/341; 70/209, 211, 212, 225, 226, 237,
238

6,550,297 B1 * 4/2003 Chen 70/209

* cited by examiner

Primary Examiner—Prabhakar Deshmukh

(74) *Attorney, Agent, or Firm*—Stephen D. Carver

(57) **CLAIM**

The ornamental design for a steering wheel lock, as shown and described.

DESCRIPTION

FIG. 1 is a top plan view of my new steering wheel lock, showing the new design;
 FIG. 2 is a side elevational view thereof;
 FIG. 3 is a side elevational view showing the side opposite from that depicted in FIG. 2;
 FIG. 4 is a front elevational view thereof;
 FIG. 5 is a rear elevational view thereof;
 FIG. 6 is an perspective view of my steering wheel lock oriented in a generally vertical, display orientation;
 FIG. 7 is a frontal perspective view thereof;
 FIG. 8 is a rear perspective view thereof;
 FIG. 9 is a bottom perspective view thereof; and,
 FIG. 10 is a rear perspective view thereof, shown in environmental use.

The broken lines are for illustrative purpose only and form no part of the claimed design.

(56) **References Cited**
U.S. PATENT DOCUMENTS

5,168,732	A	*	12/1992	Chen et al.	70/209
5,398,017	A	*	3/1995	Chen	340/426.31
5,428,976	A	*	7/1995	Weng et al.	70/209
D362,172	S	*	9/1995	Lo	D8/339
5,452,597	A	*	9/1995	Chen	70/209
D370,840	S	*	6/1996	Tsai	D8/339
D399,412	S	*	10/1998	Chelaru	D8/339
5,970,758	A	*	10/1999	Chen	70/209
6,349,580	B1	*	2/2002	Kuo	70/209

1 Claim, 10 Drawing Sheets

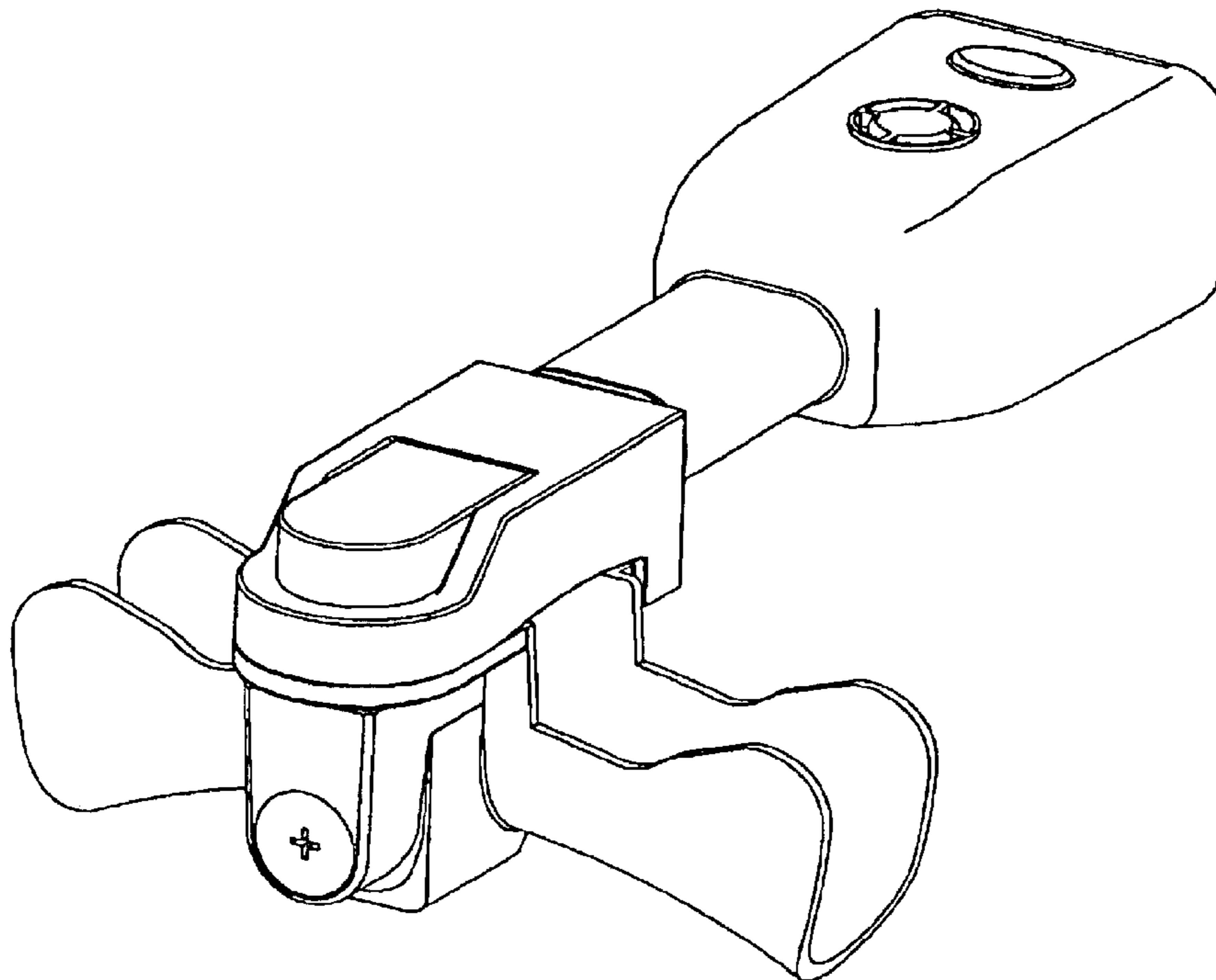


Fig. 1

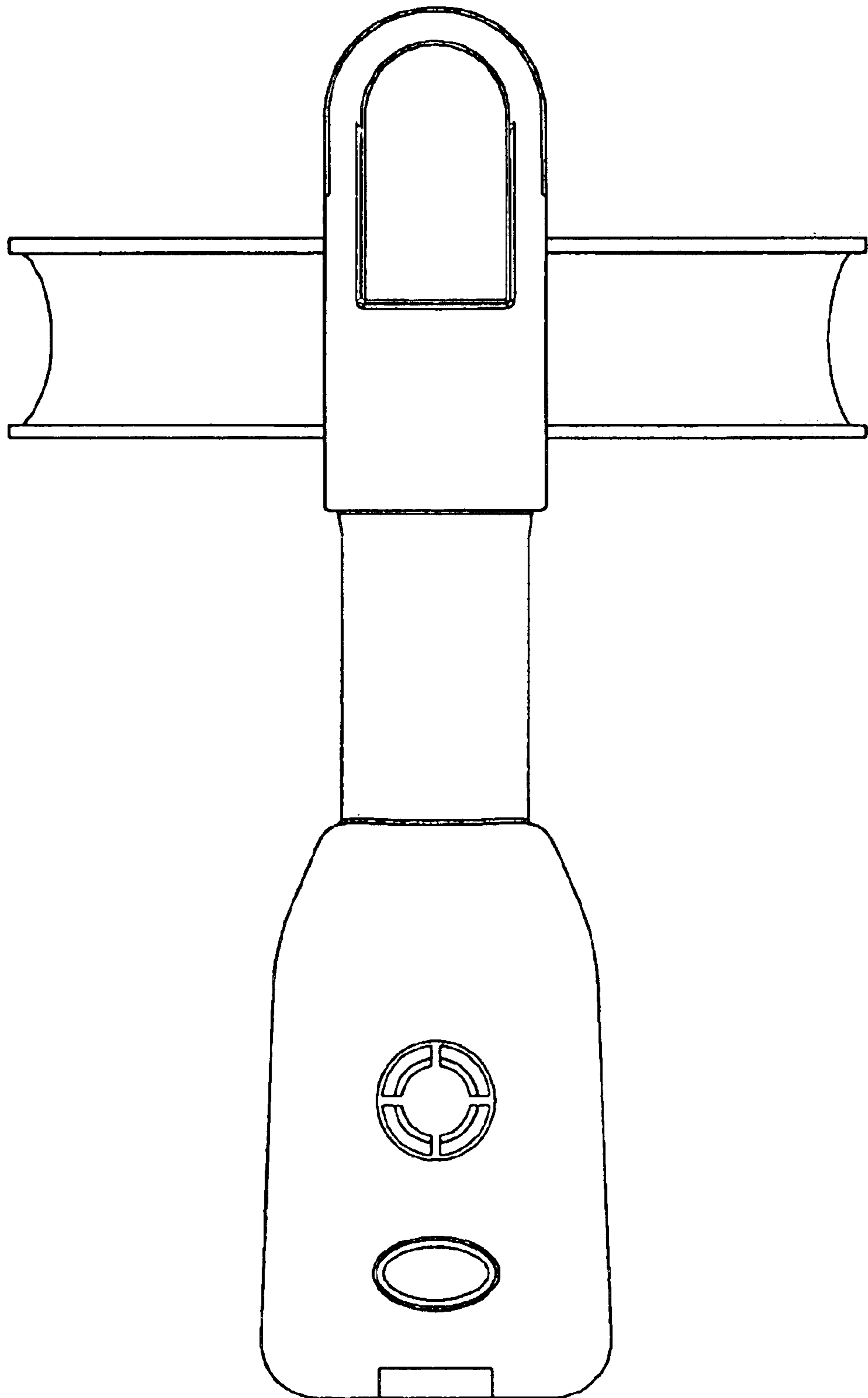


Fig. 2

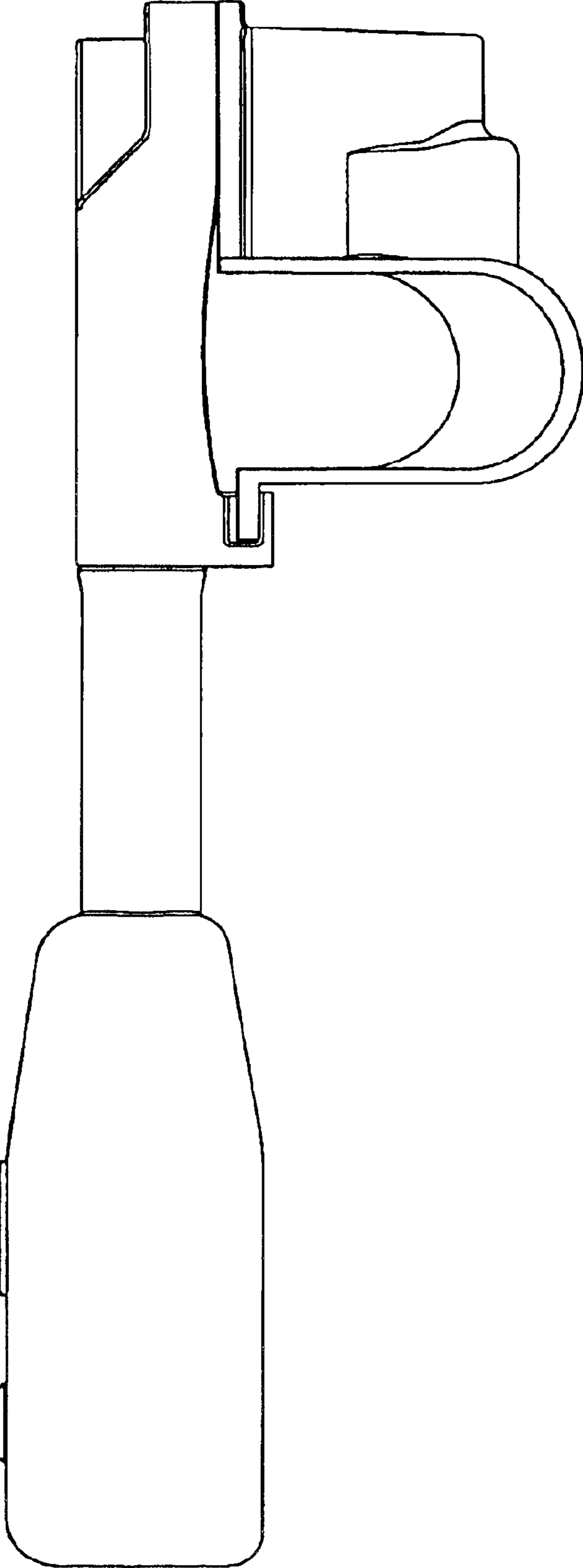


Fig. 3

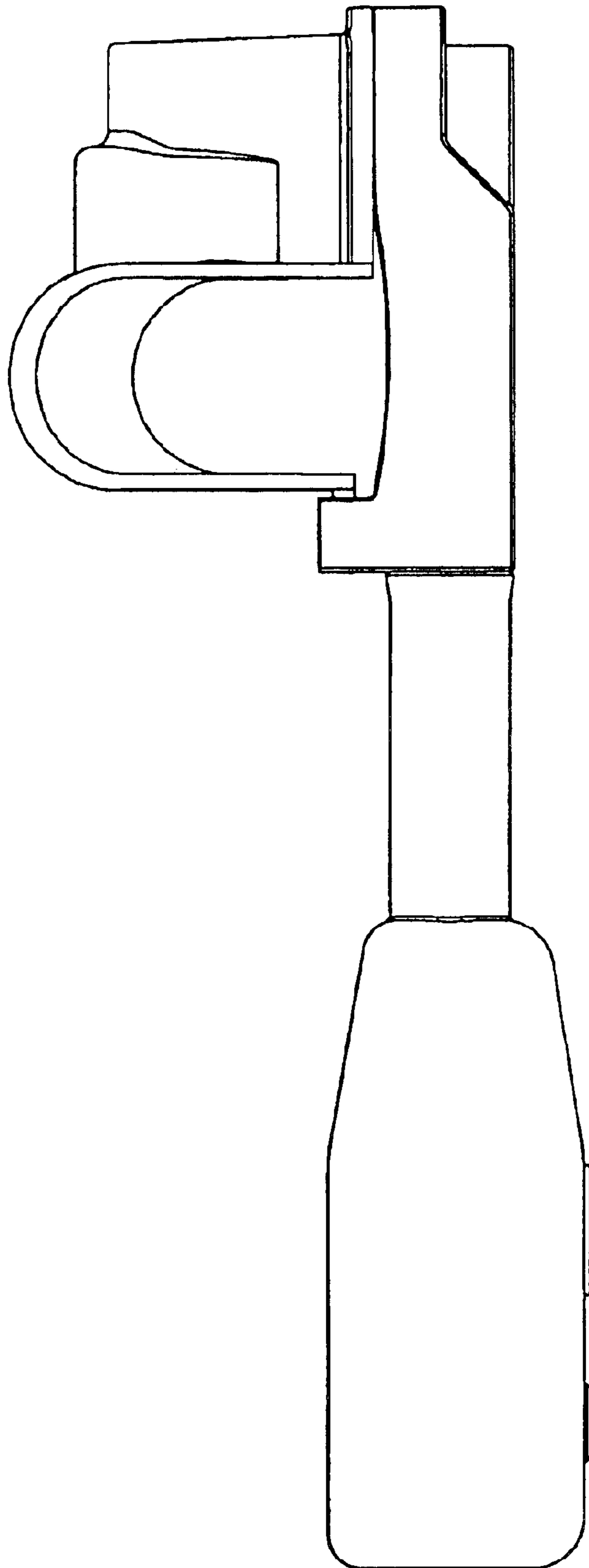


Fig. 4

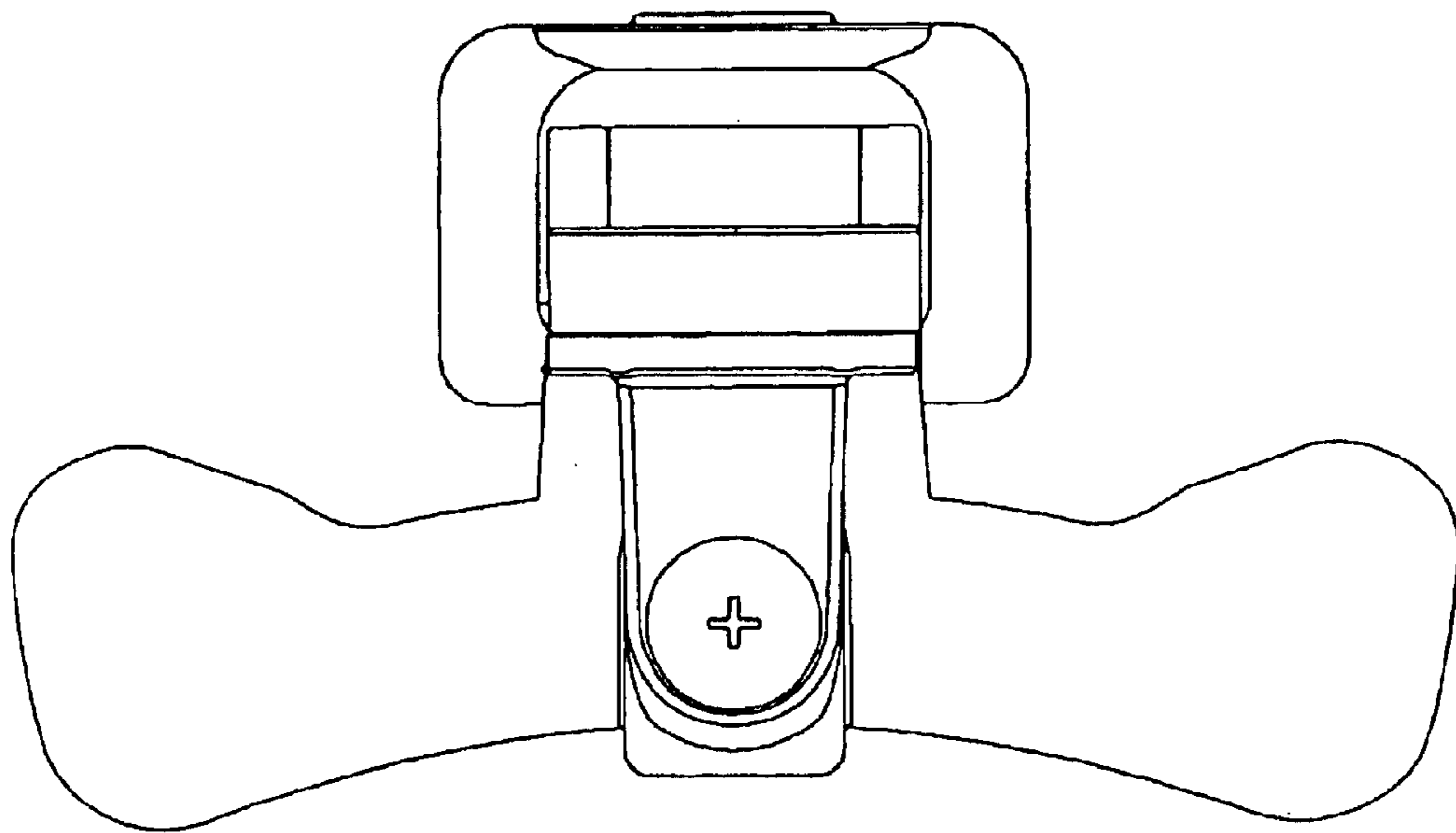


Fig. 5

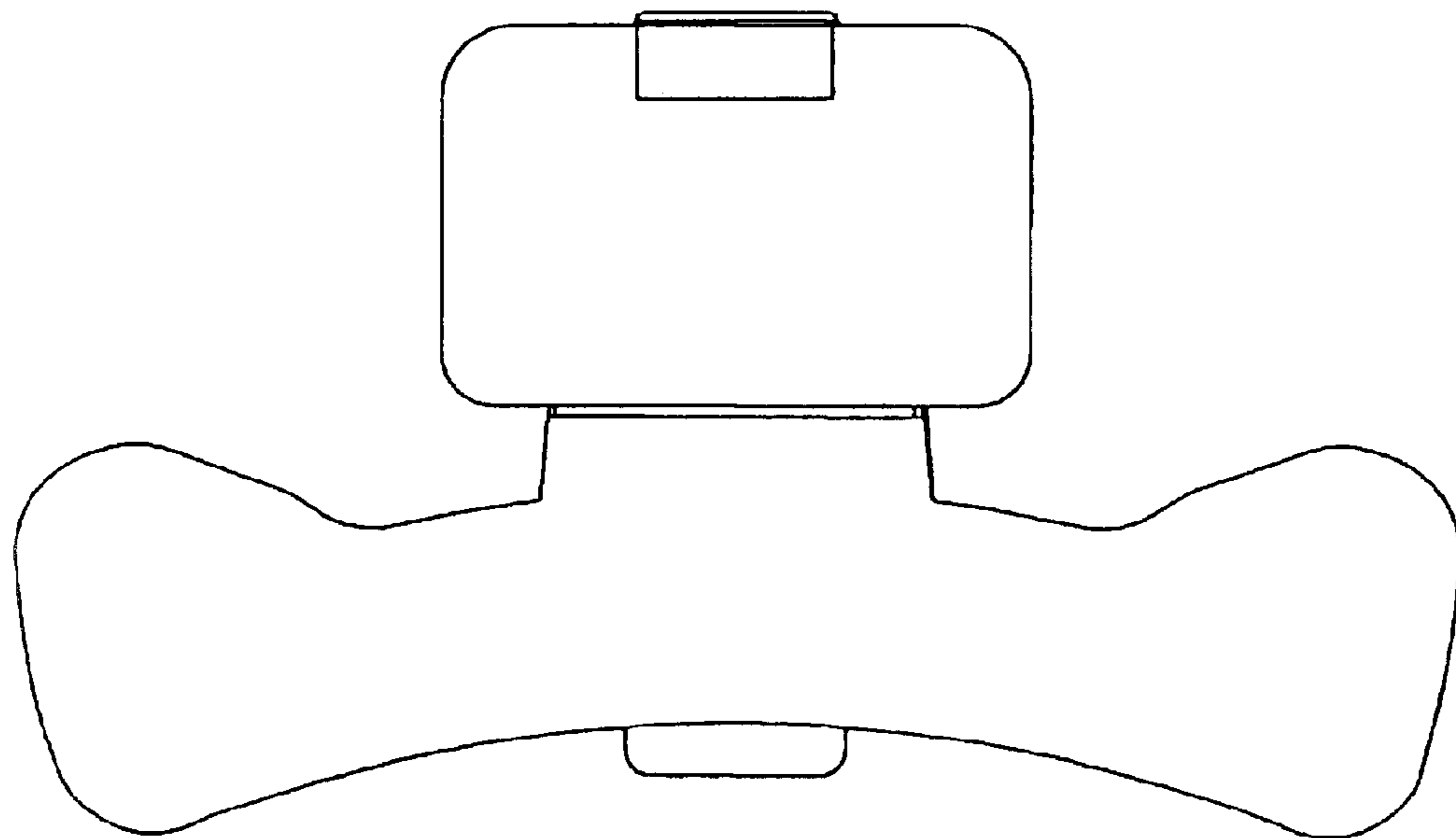


Fig. 6

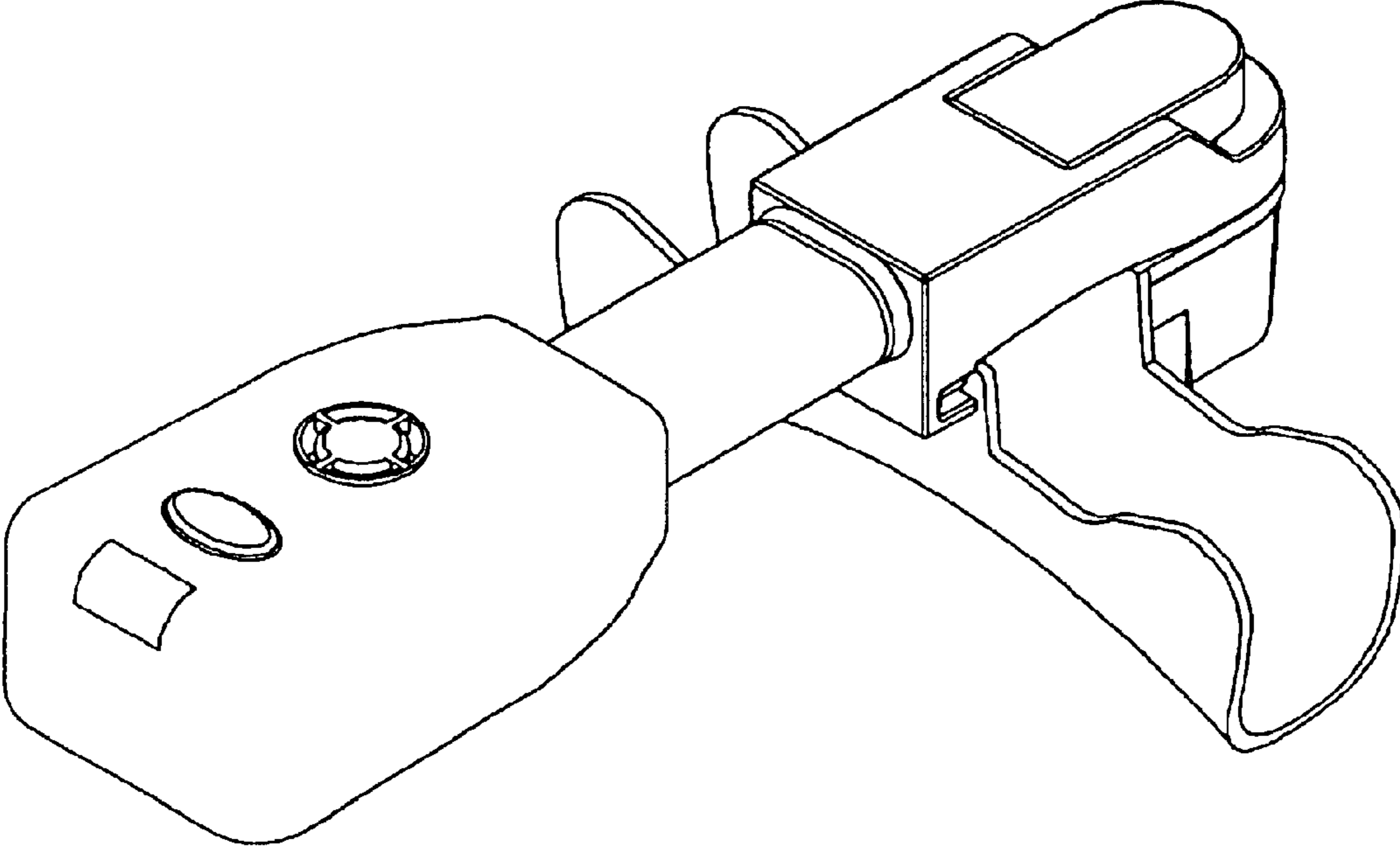


Fig. 7

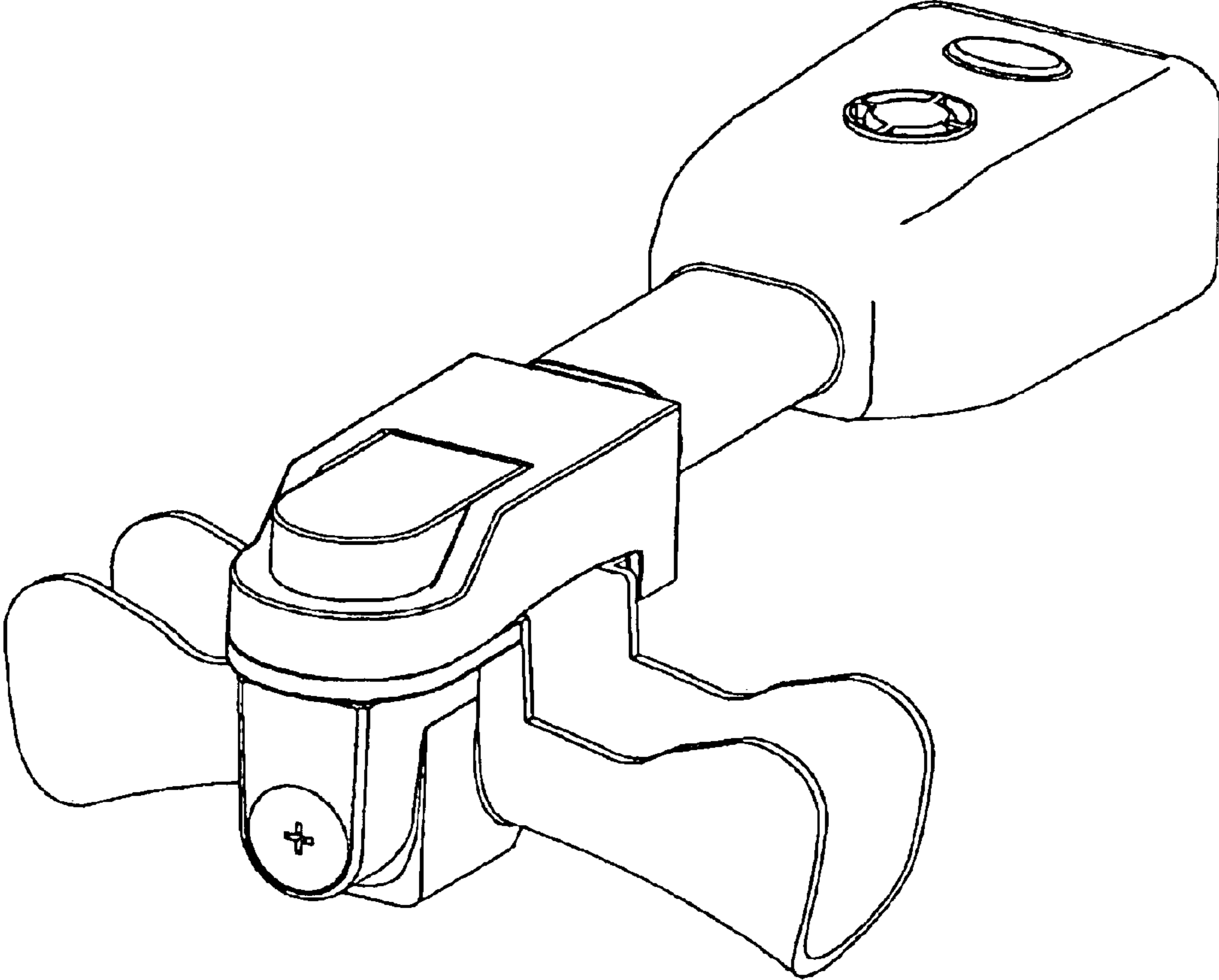


Fig. 8

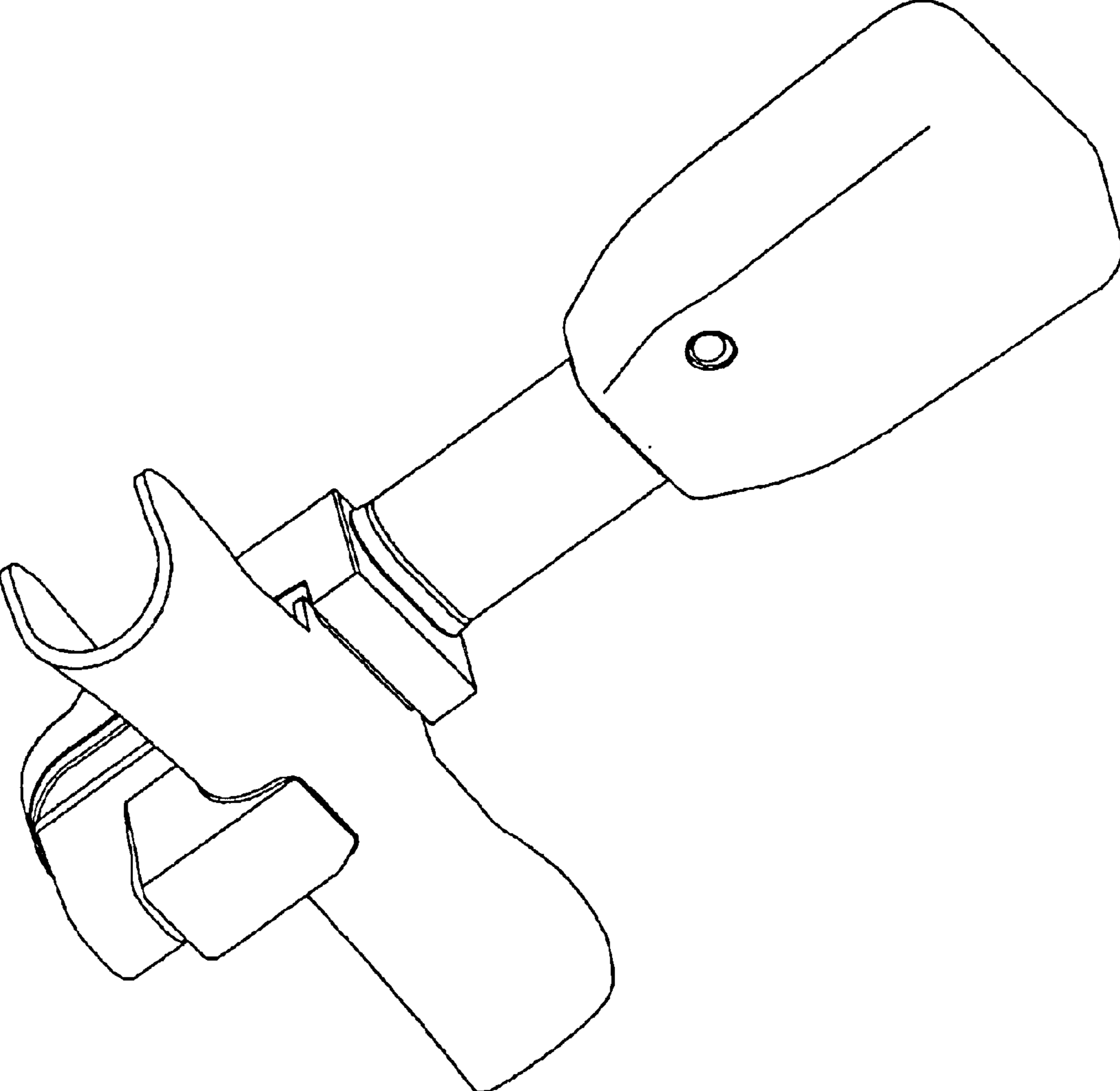


Fig. 9

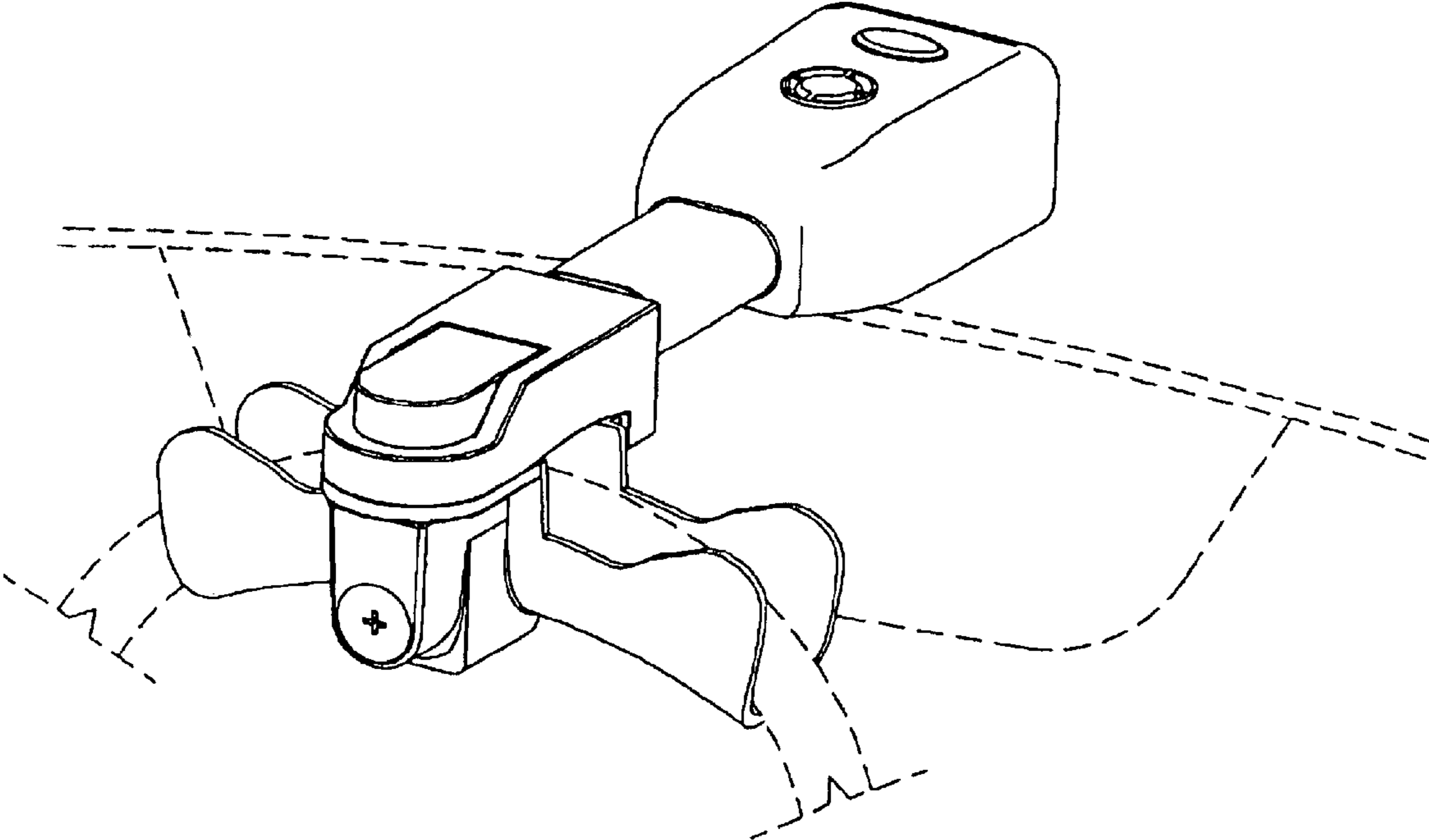


Fig. 10

