

US00D500661S

(12) **United States Design Patent**
Melin

(10) **Patent No.: US D500,661 S**

(45) **Date of Patent: ** Jan. 11, 2005**

(54) **CIRCULAR DOOR LATCH LOCK FOR TRAILERS AND CONTAINERS**

(76) **Inventor: Gary H. Melin**, 2115 Highway 14 East, Rochester, MN (US) 55904

(**) **Term: 14 Years**

(21) **Appl. No.: 29/192,473**

(22) **Filed: Oct. 23, 2003**

(51) **LOC (7) Cl. 08-07**

(52) **U.S. Cl. D8/331; D8/343**

(58) **Field of Search D8/330, 331, 343-345; 70/14, 51, 52, 91, 101, 106, 141, 258, 431; 292/288, 358, 359, DIG. 17, DIG. 23**

(56) **References Cited**

U.S. PATENT DOCUMENTS

3,415,085	A	*	12/1968	Eble, Jr.	70/232
3,763,675	A	*	10/1973	Hofmeister et al.	70/232
4,141,233	A	*	2/1979	Reyes	70/232
D261,858	S	*	11/1981	Lassiter	D8/331
4,440,005	A	*	4/1984	Bulle	70/14
4,480,450	A	*	11/1984	Brown	70/14
D279,351	S	*	6/1985	Lassiter	D8/331
D281,220	S	*	11/1985	Lassiter	D8/331
5,119,649	A	*	6/1992	Spence	70/14

5,332,251	A	*	7/1994	Farquhar	280/507
D402,602	S	*	12/1998	Niswanger	D12/162
D459,970	S	*	7/2002	Niswanger	D8/331
D483,646	S	*	12/2003	Teskey et al.	D8/331

* cited by examiner

Primary Examiner—Prabhakar Deshmukh

(74) *Attorney, Agent, or Firm*—Gerald E. Helget; Briggs & Morgan, P.A.

(57) **CLAIM**

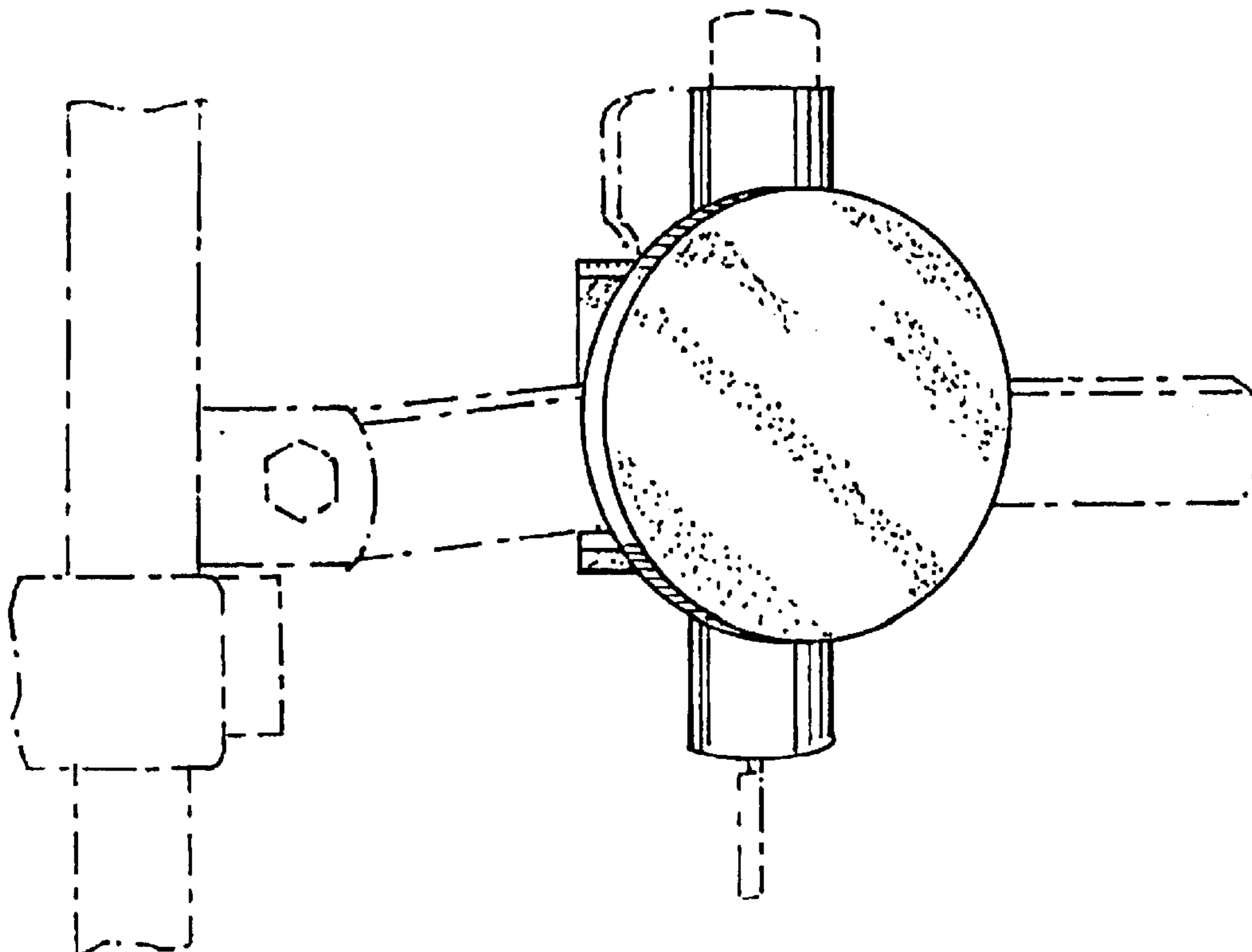
The ornamental design for a circular door latch lock for trailers and containers, as shown and described.

DESCRIPTION

FIG. 1 is a front perspective view showing my new design for a door latch lock;
 FIG. 2 is a bottom plan view;
 FIG. 3 is a top plan view;
 FIG. 4 is a left side elevational which is a mirror image of the right side view;
 FIG. 5 is a front elevational view; and,
 FIG. 6 is a rear elevational view.

The broken line drawings of a trailer/container door latch and lock key are for illustrative purposes only and form no part of the claimed design.

1 Claim, 3 Drawing Sheets



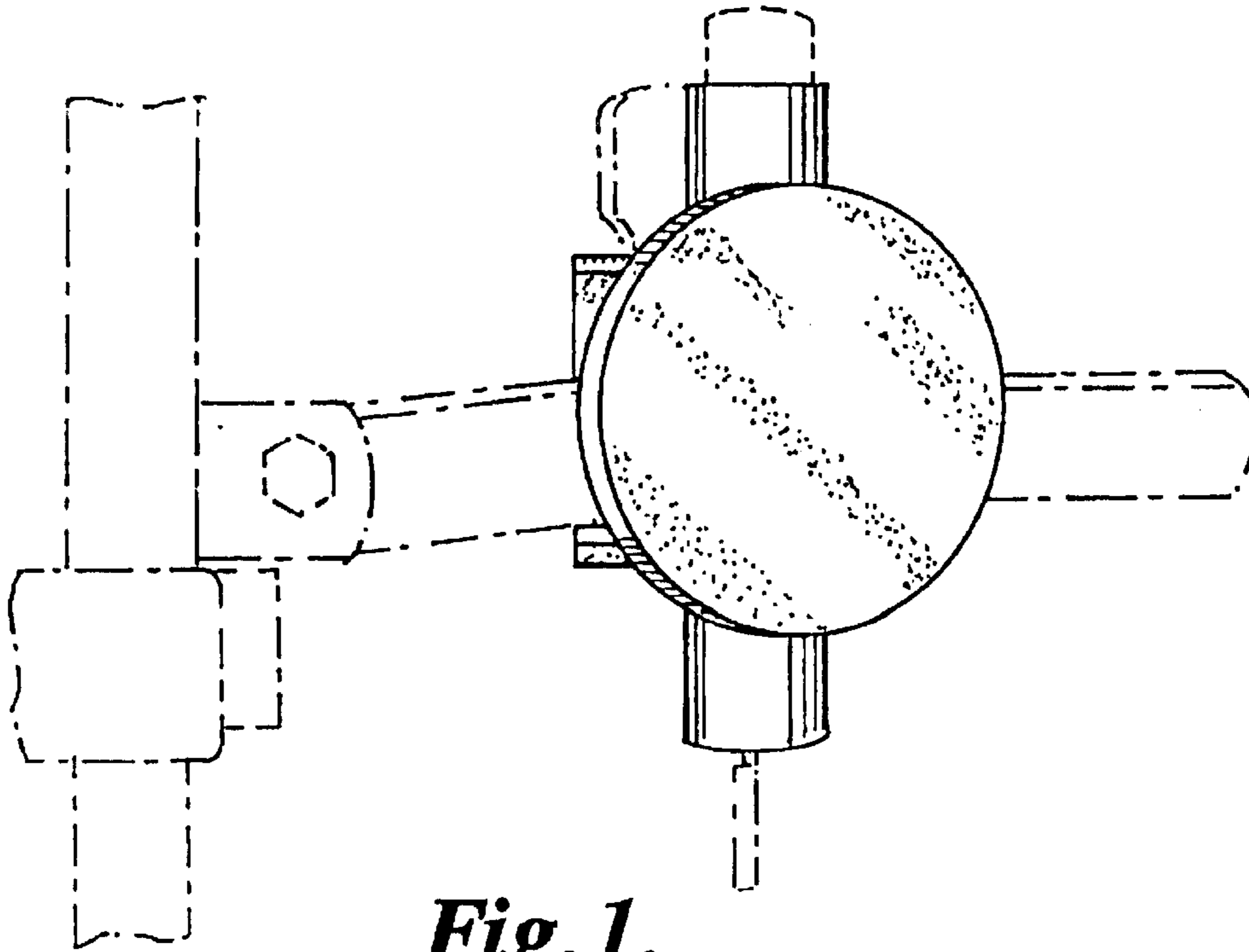


Fig. 1.

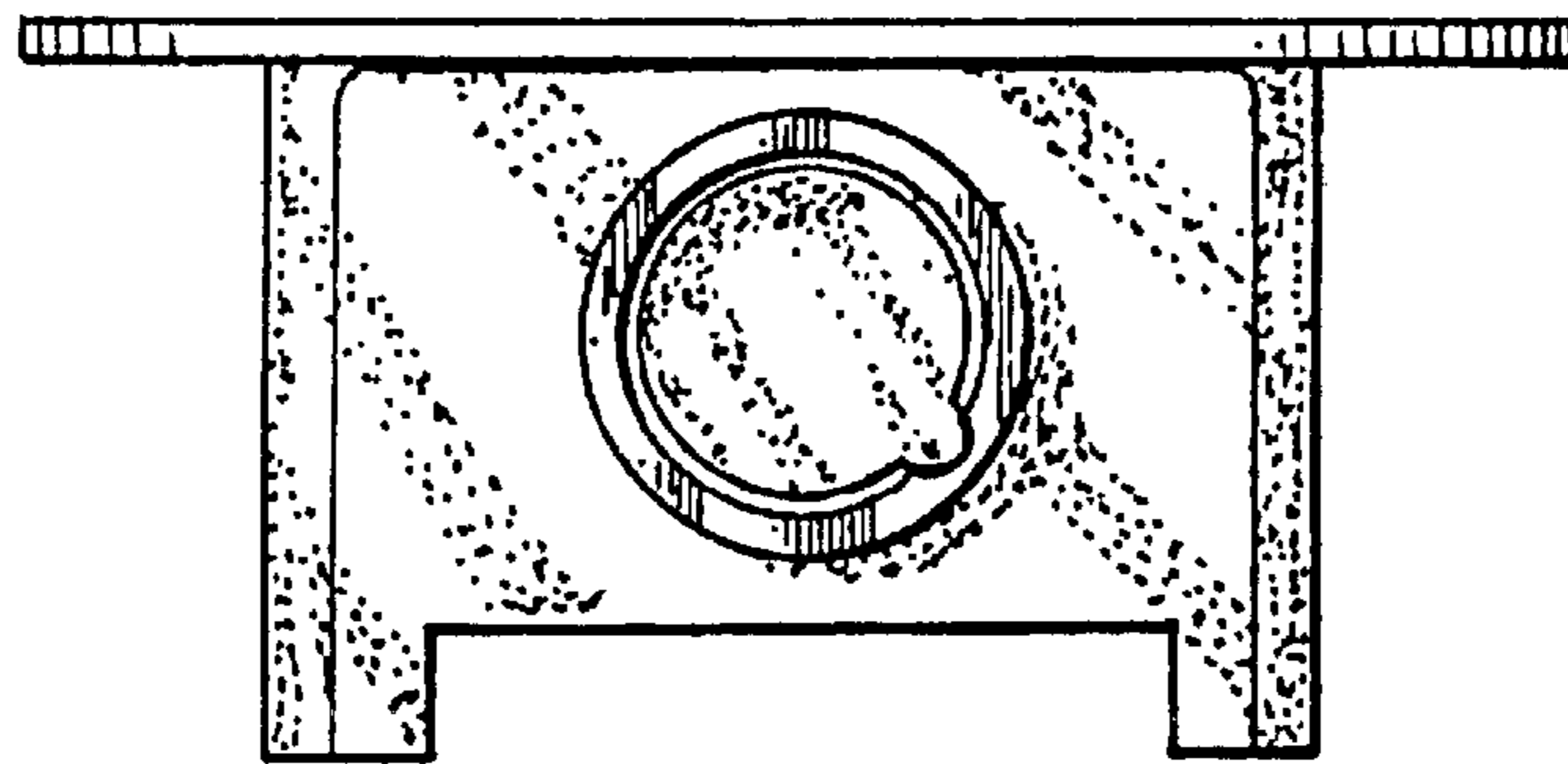


Fig. 2.

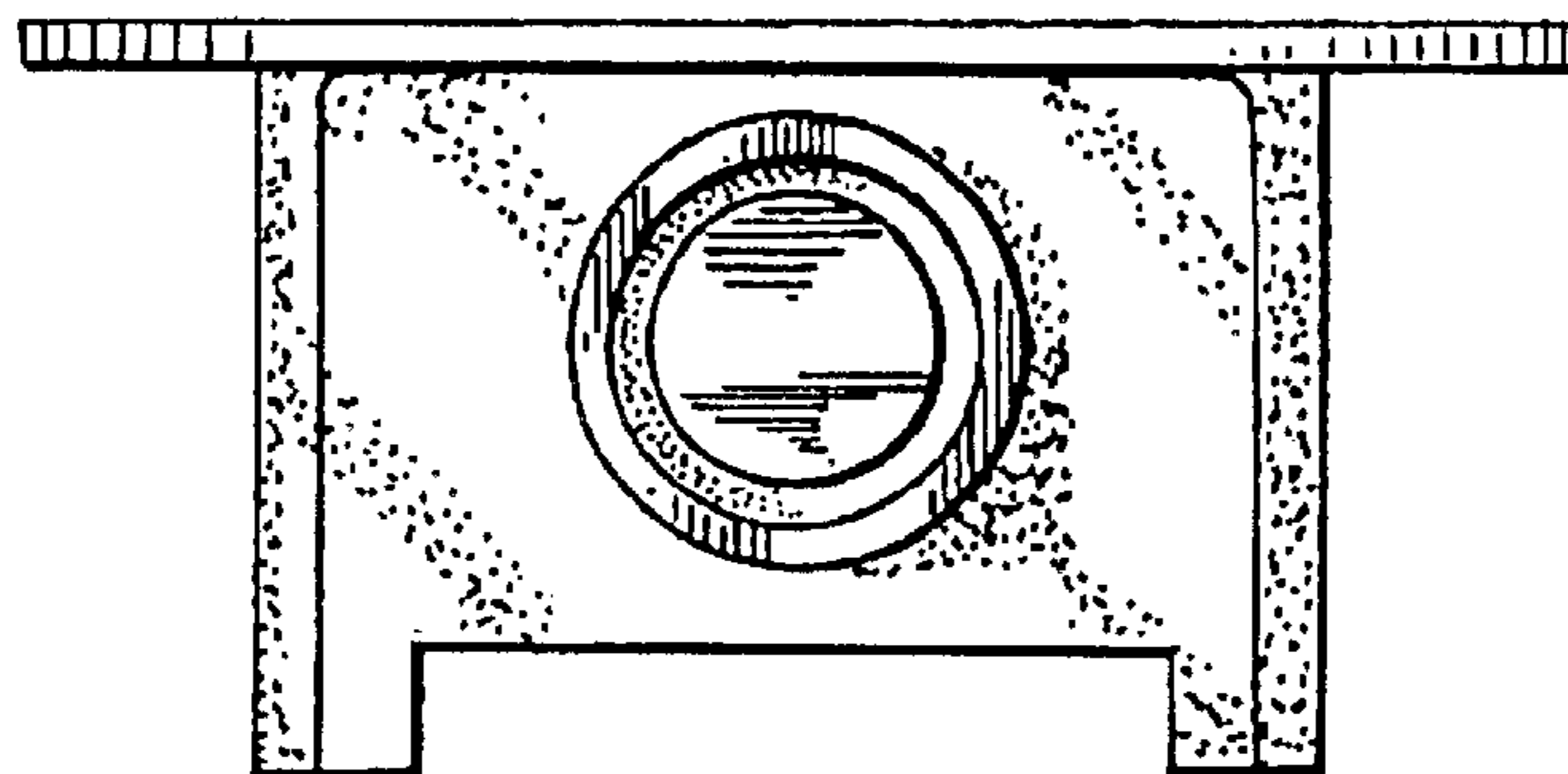


Fig. 3.

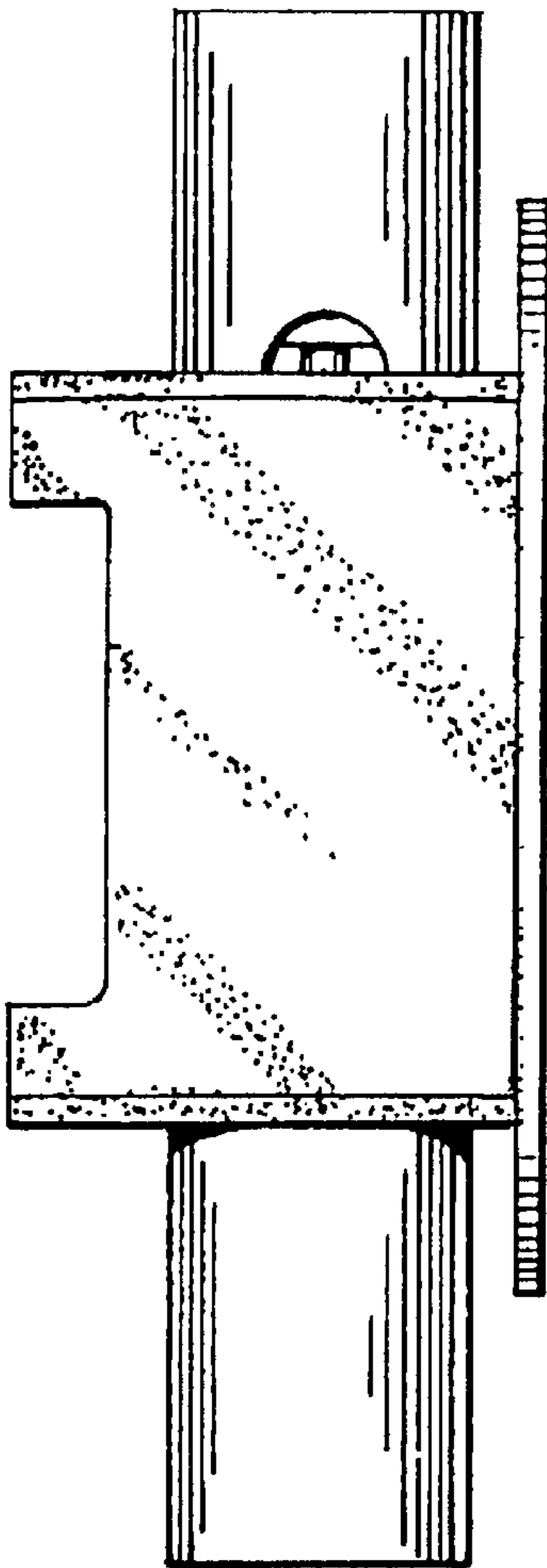


Fig. 4.

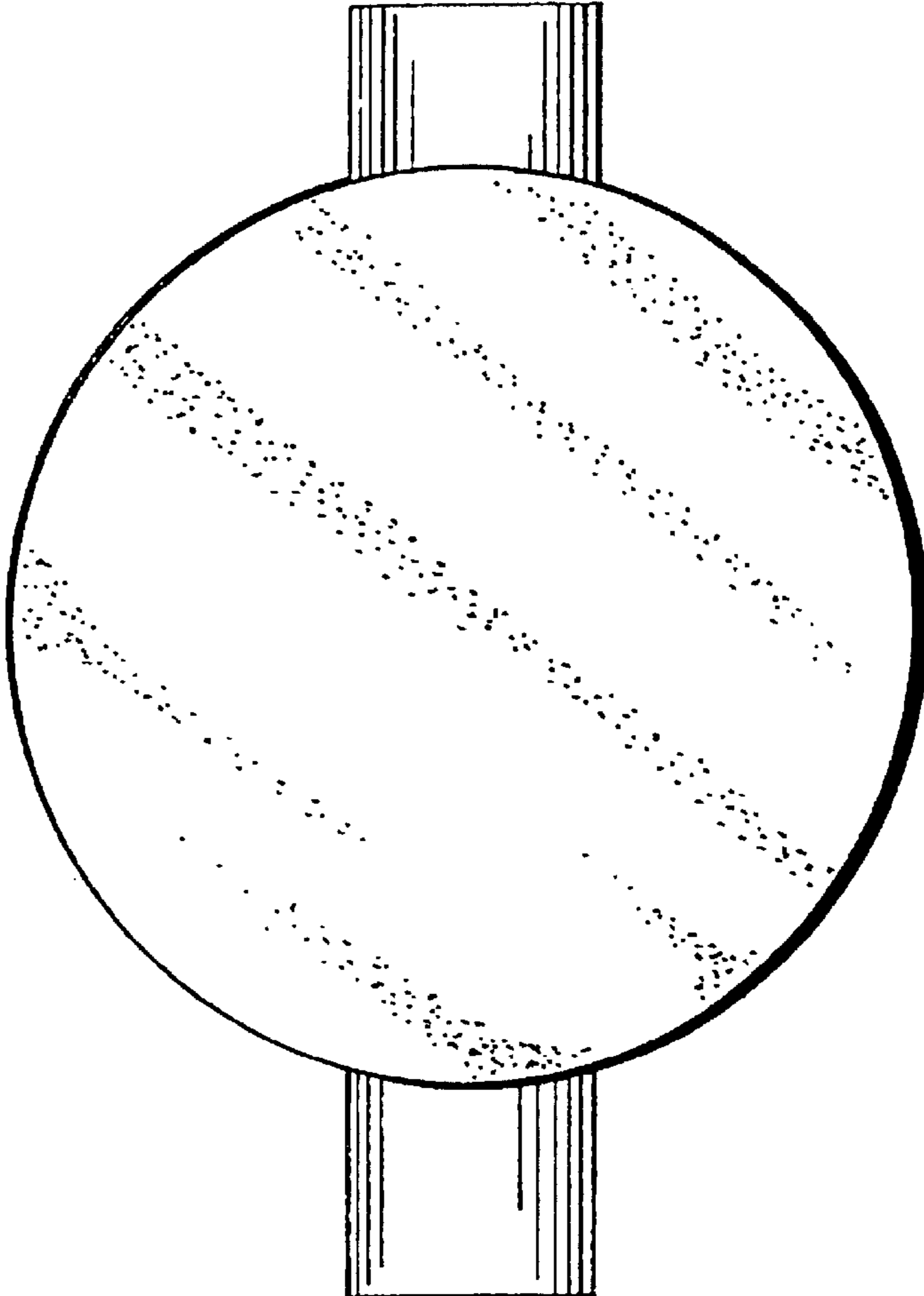


Fig. 5.

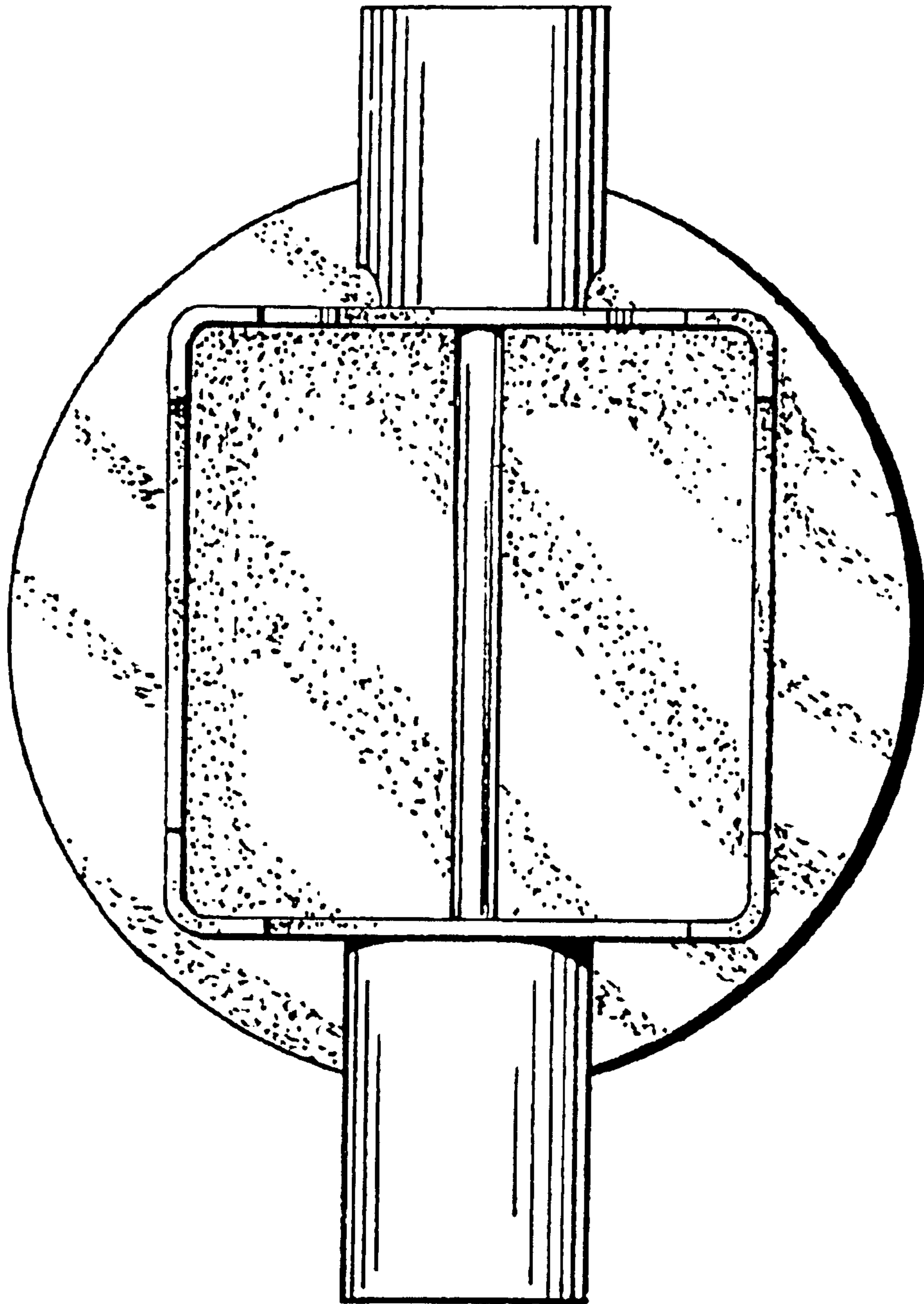


Fig. 6.