



US00D500655S

(12) **United States Design Patent**  
**Leasure**

(10) **Patent No.: US D500,655 S**

(45) **Date of Patent: \*\* Jan. 11, 2005**

(54) **COMBUSTION NAILER**

(75) **Inventor: Jeremy D. Leasure, Jackson, TN (US)**

(73) **Assignee: Porter-Cable Corporation, Jackson, TN (US)**

(\*\*) **Term: 14 Years**

(21) **Appl. No.: 29/202,906**

(22) **Filed: Apr. 5, 2004**

(51) **LOC (7) Cl. .... 08-05**

(52) **U.S. Cl. .... D8/69**

(58) **Field of Search** ..... D8/14.1, 61, 62, D8/63, 64, 65, 66, 67, 68, 69, 70; 81/57.11, 429, 464, 465, 466, 469, 489; 173/13, 169, 178, 213, 217; 227/8, 114, 120, 130, 136, 142; 310/50; 408/20, 124, 125, 234, 241 R; 451/358

(56) **References Cited**

**U.S. PATENT DOCUMENTS**

D219,259 S	*	11/1970	Perkins	.....	D8/61
3,964,659 A	*	6/1976	Eiben et al.	.....	227/8
D260,354 S	*	8/1981	Proops et al.	.....	D8/61
D338,606 S	*	8/1993	Oda	.....	D8/69
5,385,286 A	*	1/1995	Johnson, Jr.	.....	227/142
5,579,975 A	*	12/1996	Moorman	.....	227/8
5,839,638 A	*	11/1998	Ronn	.....	227/142
D403,221 S	*	12/1998	Warner et al.	.....	D8/69
D410,182 S	*	5/1999	Etter et al.	.....	D8/69
D416,182 S	*	11/1999	Kaiser et al.	.....	D8/69
D416,775 S	*	11/1999	Hwang et al.	.....	D8/69
6,102,270 A	*	8/2000	Robinson	.....	227/130

6,158,643 A	*	12/2000	Phillips	.....	227/8
D437,539 S	*	2/2001	Kilmer	.....	D8/68
D447,031 S	*	8/2001	Oh	.....	D8/63
6,357,534 B1	*	3/2002	Buetow et al.	.....	173/217
D461,694 S	*	8/2002	Buck	.....	D8/68
6,450,387 B1	*	9/2002	Chen	.....	227/8
D472,780 S	*	4/2003	Matsuoka et al.	.....	D8/68
6,592,014 B2	*	7/2003	Smolinski	.....	227/8
D477,976 S	*	8/2003	Liu	.....	D8/69
D481,279 S	*	10/2003	Buck	.....	D8/69
6,641,020 B1	*	11/2003	Yao	.....	227/136
D486,048 S	*	2/2004	Hattori	.....	D8/68
D486,712 S	*	2/2004	Yao	.....	D8/68
6,729,524 B1	*	5/2004	Yao	.....	227/120
2003/0230622 A1	*	12/2003	Rotharmel	.....	227/120

\* cited by examiner

*Primary Examiner*—Joel A. Sincavage  
*Assistant Examiner*—T. Chase Nelson  
(74) *Attorney, Agent, or Firm*—Suiter West PC LLO

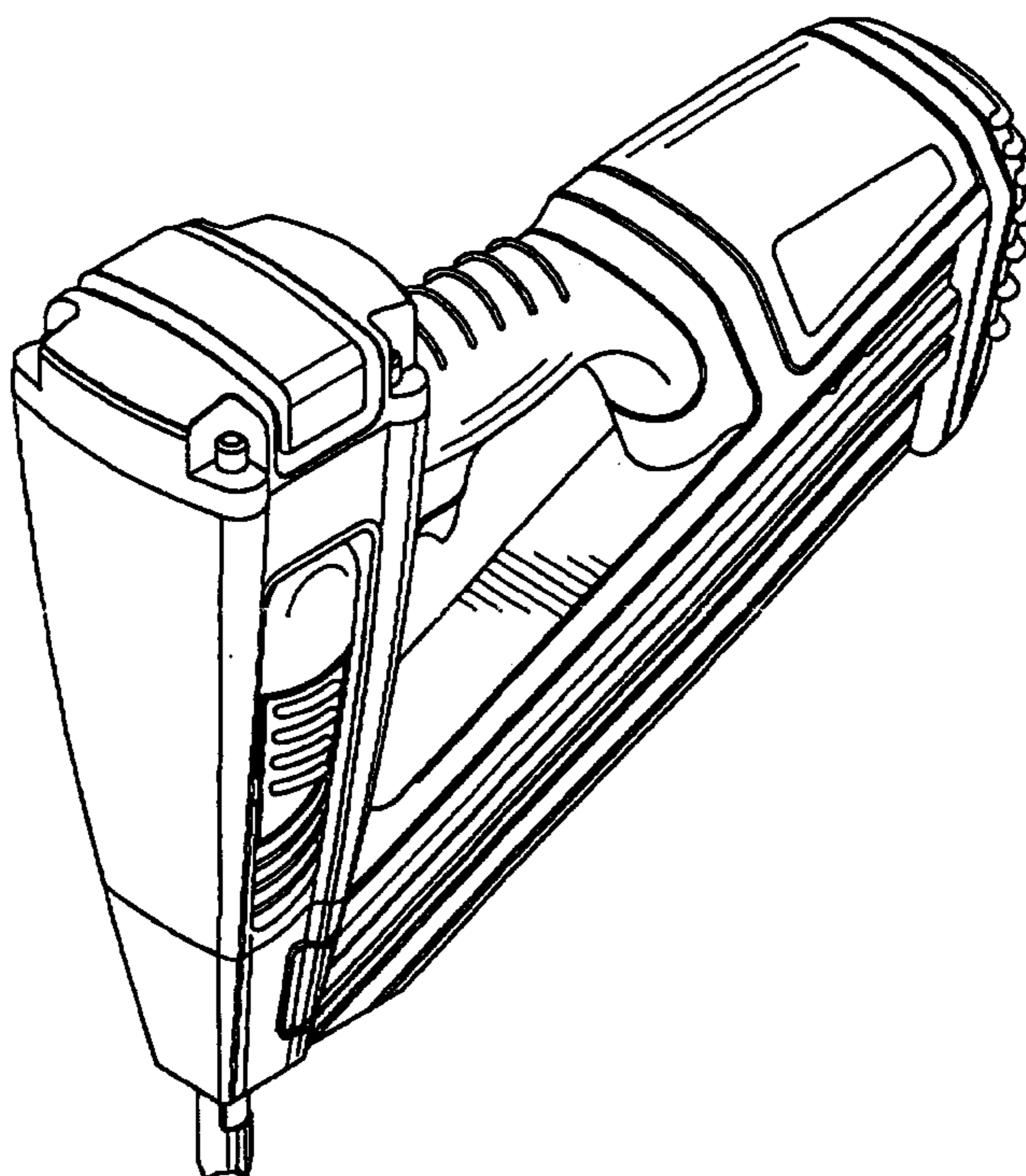
(57) **CLAIM**

I claim the ornamental design for a combustion nailer, as shown.

**DESCRIPTION**

FIG. 1 is an isometric view showing my new design; FIG. 2 is top plan view showing my new design; FIG. 3 is a front elevation view thereof; FIG. 4 is a left side elevation view thereof; FIG. 5 is rear elevation view thereof; FIG. 6 is a right side elevation view thereof; and, FIG. 7 is a bottom plan view thereof.

**1 Claim, 3 Drawing Sheets**



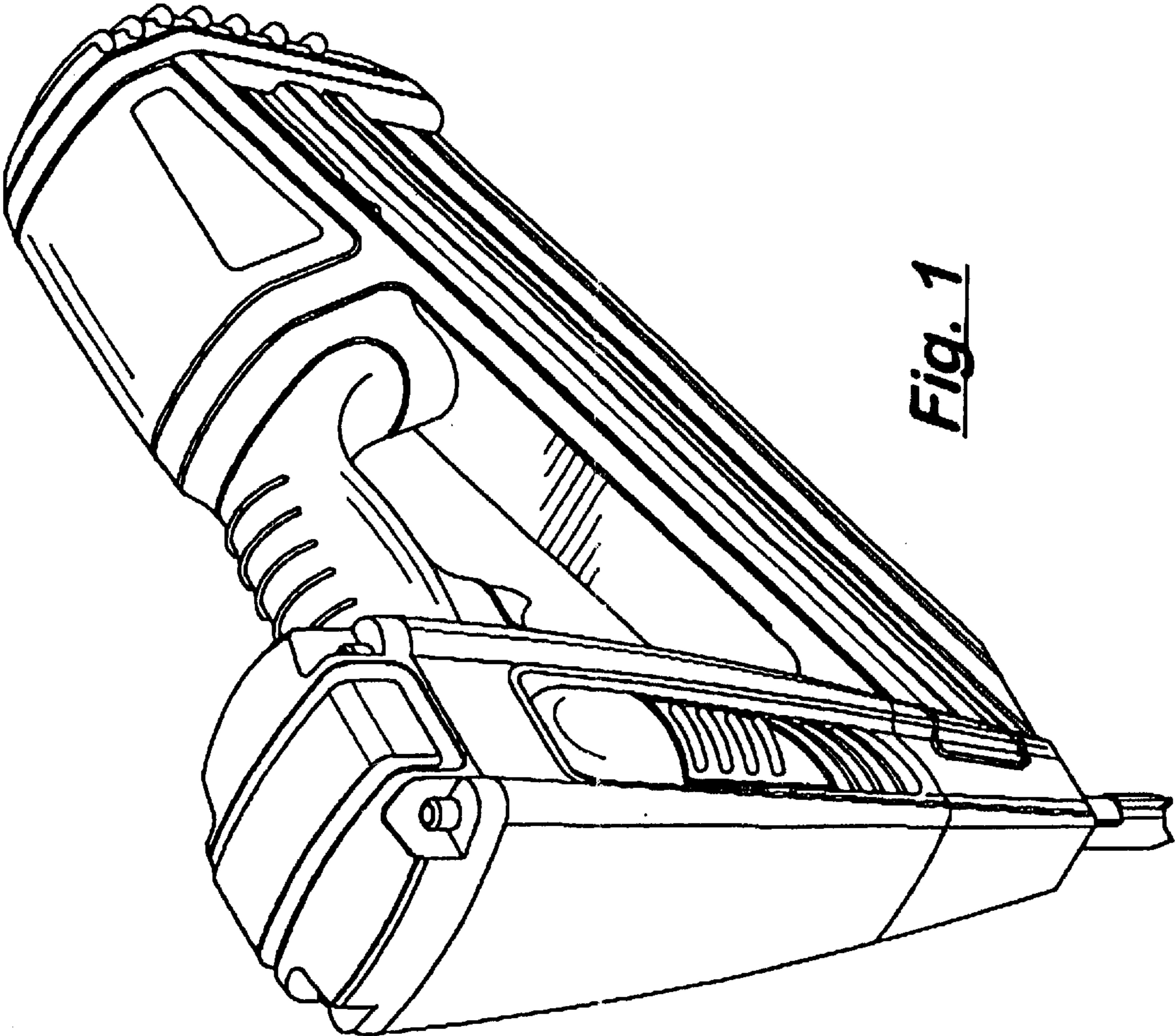
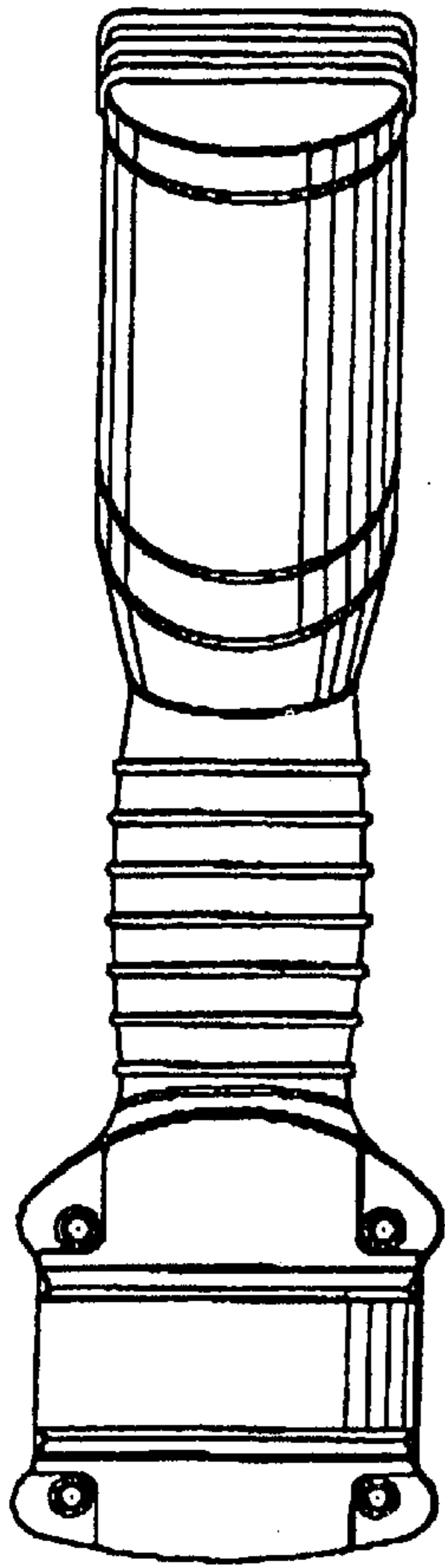
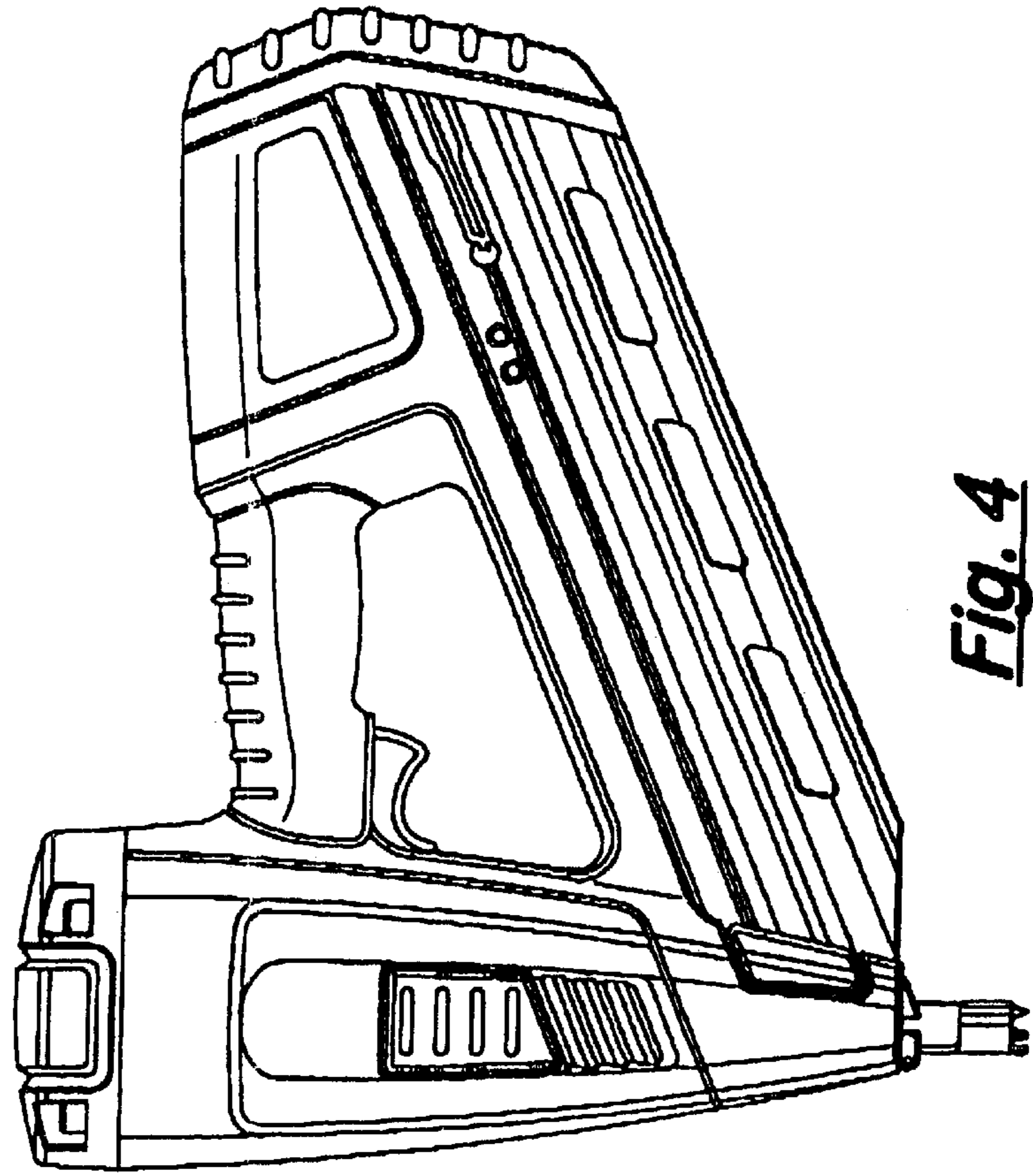


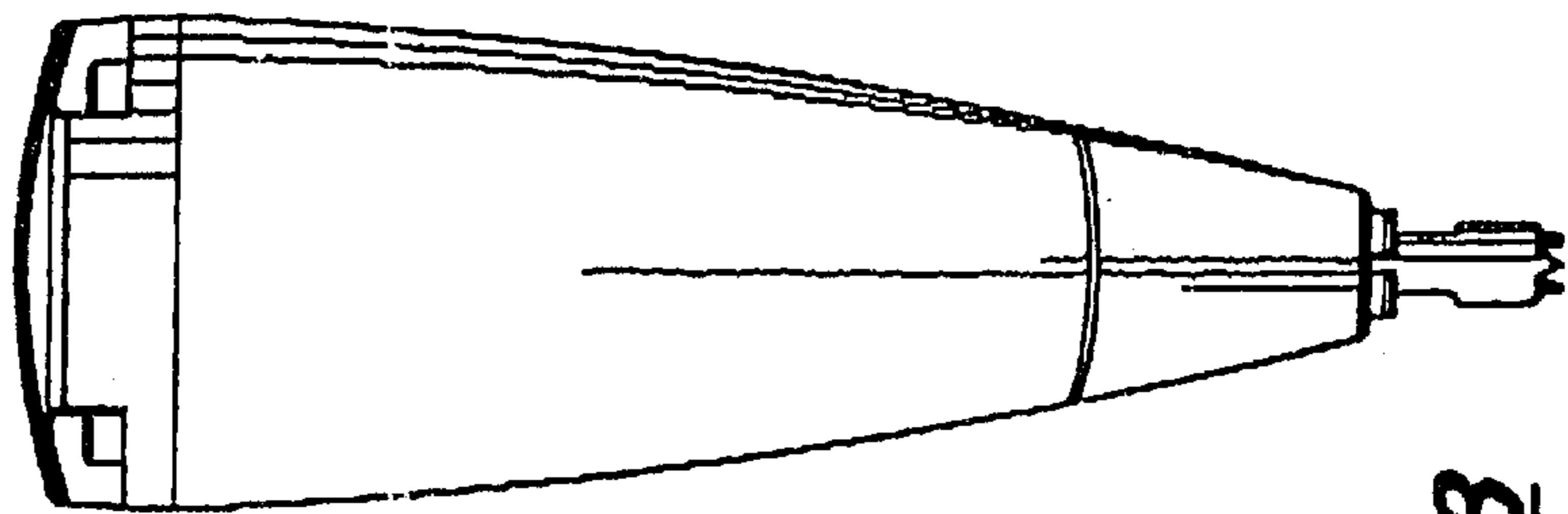
Fig. 1



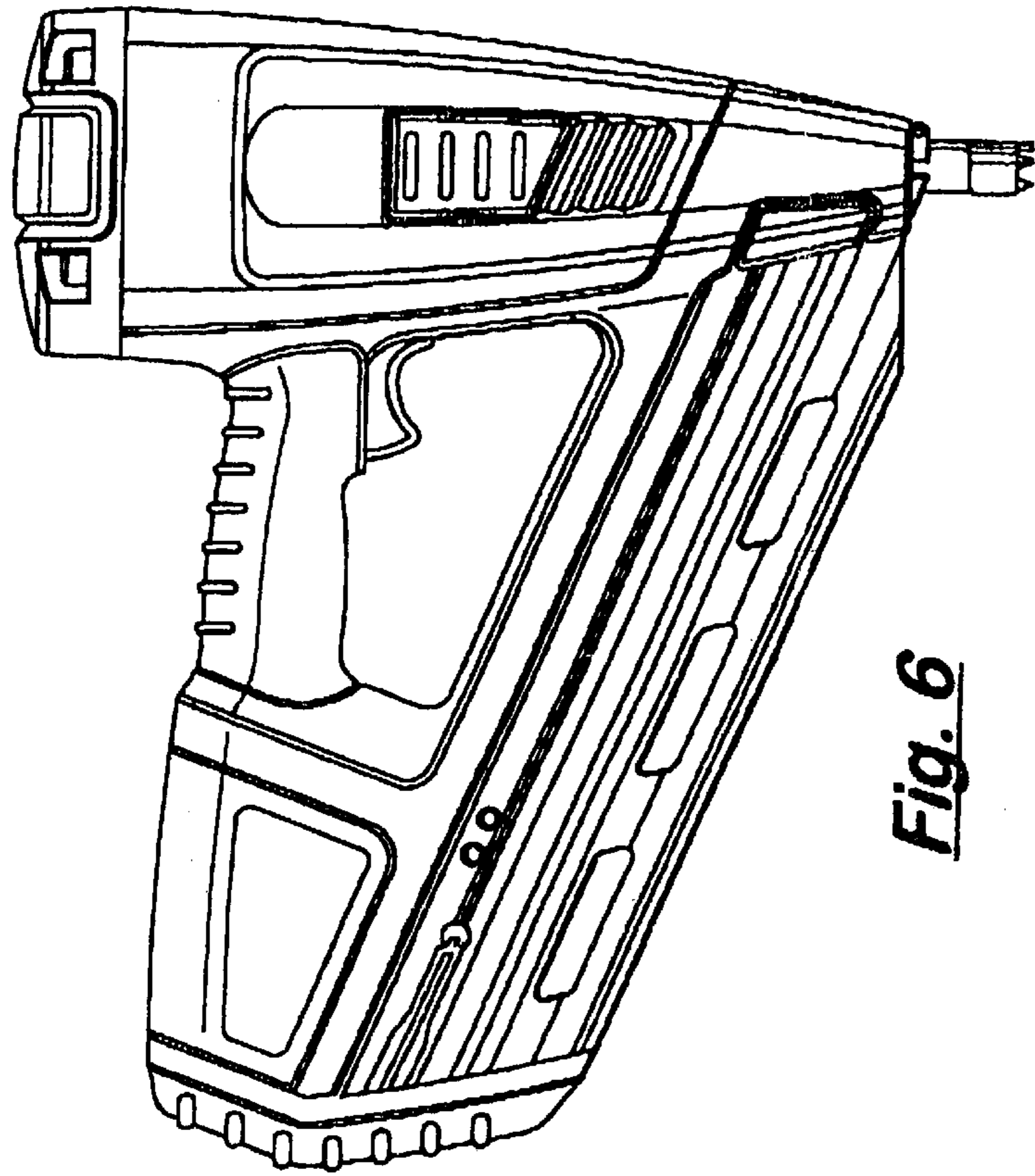
*Fig. 2*



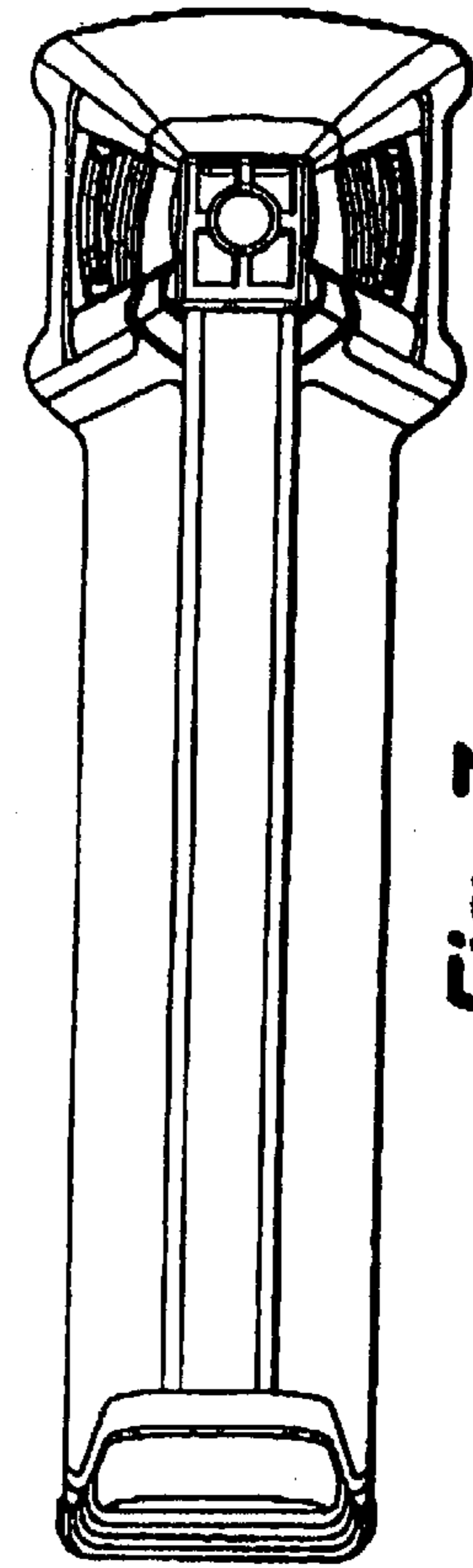
*Fig. 4*



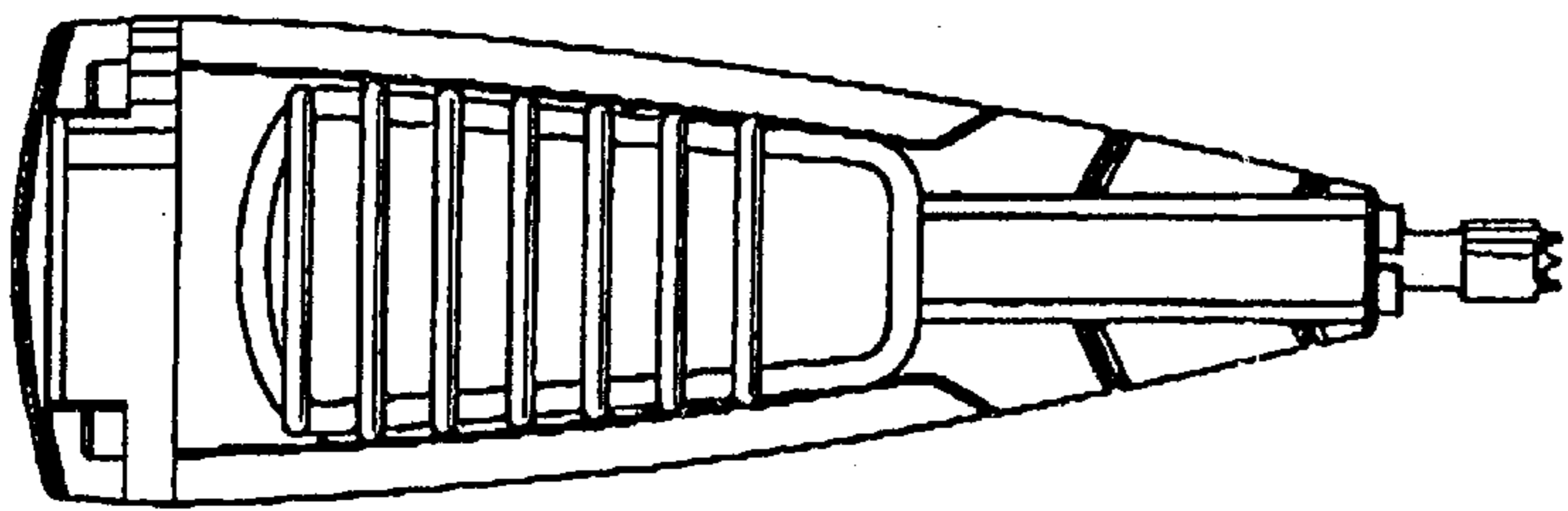
*Fig. 3*



*Fig. 6*



*Fig. 7*



*Fig. 5*