

US00D500654S

(12) **United States Design Patent**
Leasure et al.

(10) **Patent No.: US D500,654 S**
(45) **Date of Patent: ** Jan. 11, 2005**

- (54) **PNEUMATIC FASTENER**
- (75) Inventors: **Jeremy D. Leasure**, Jackson, TN (US);
Mark A. Etter, Humboldt, TN (US)
- (73) Assignee: **Porter-Cable Corporation**, Jackson,
TN (US)
- (**) Term: **14 Years**
- (21) Appl. No.: **29/194,366**
- (22) Filed: **Nov. 21, 2003**
- (51) **LOC (7) Cl. 08-05**
- (52) **U.S. Cl. D8/69**
- (58) **Field of Search** D8/14.1, 61, 62,
D8/63, 64, 65, 66, 67, 68, 69, 70; 81/57.11,
429, 464, 465, 466, 469, 489; 173/13, 169,
178, 213, 217; 227/8, 114, 120, 130, 136,
142; 310/50; 408/20, 124, 125, 234, 241 R;
451/358

D410,182 S	*	5/1999	Etter et al.	D8/69
D415,002 S	*	10/1999	Rogers et al.	D8/69
5,967,396 A	*	10/1999	Chuang	227/120
D416,182 S	*	11/1999	Kaiser et al.	D8/69
6,036,072 A	*	3/2000	Lee	227/120
6,158,643 A	*	12/2000	Phillips	227/8
D459,184 S	*	6/2002	Buck	D8/69
D459,185 S	*	6/2002	Buck	D8/69
6,431,429 B1	*	8/2002	Canlas et al.	227/8
6,450,387 B1	*	9/2002	Chen	227/8
D475,597 S	*	6/2003	Arai	D8/68
D477,760 S	*	7/2003	Chang	D8/68
D477,762 S	*	7/2003	Bor	D8/69
D478,490 S	*	8/2003	Wu	D8/68
D479,110 S	*	9/2003	Nolan et al.	D8/69
D486,712 S	*	2/2004	Yao	D8/68
2002/0056739 A1	*	5/2002	Liu	227/8

* cited by examiner

Primary Examiner—Joel A. Sincavage
Assistant Examiner—T. Chase Nelson
(74) *Attorney, Agent, or Firm*—Suiter West PC LLO

(56) **References Cited**
U.S. PATENT DOCUMENTS

4,524,896 A	*	6/1985	Morrell, Jr.	227/120
4,936,192 A	*	6/1990	Johnsson et al.	227/130
D316,022 S	*	4/1991	Moraht	D8/69
D336,026 S	*	6/1993	Fujiwara	D8/68
D338,818 S	*	8/1993	Katsuba	D8/62
5,322,189 A	*	6/1994	Oda	227/120
5,564,614 A	*	10/1996	Yang	227/8
D377,590 S	*	1/1997	Lai	D8/69
5,632,431 A	*	5/1997	Lin	227/120
D396,178 S	*	7/1998	Hattori	D8/61
5,839,638 A	*	11/1998	Ronn	227/120

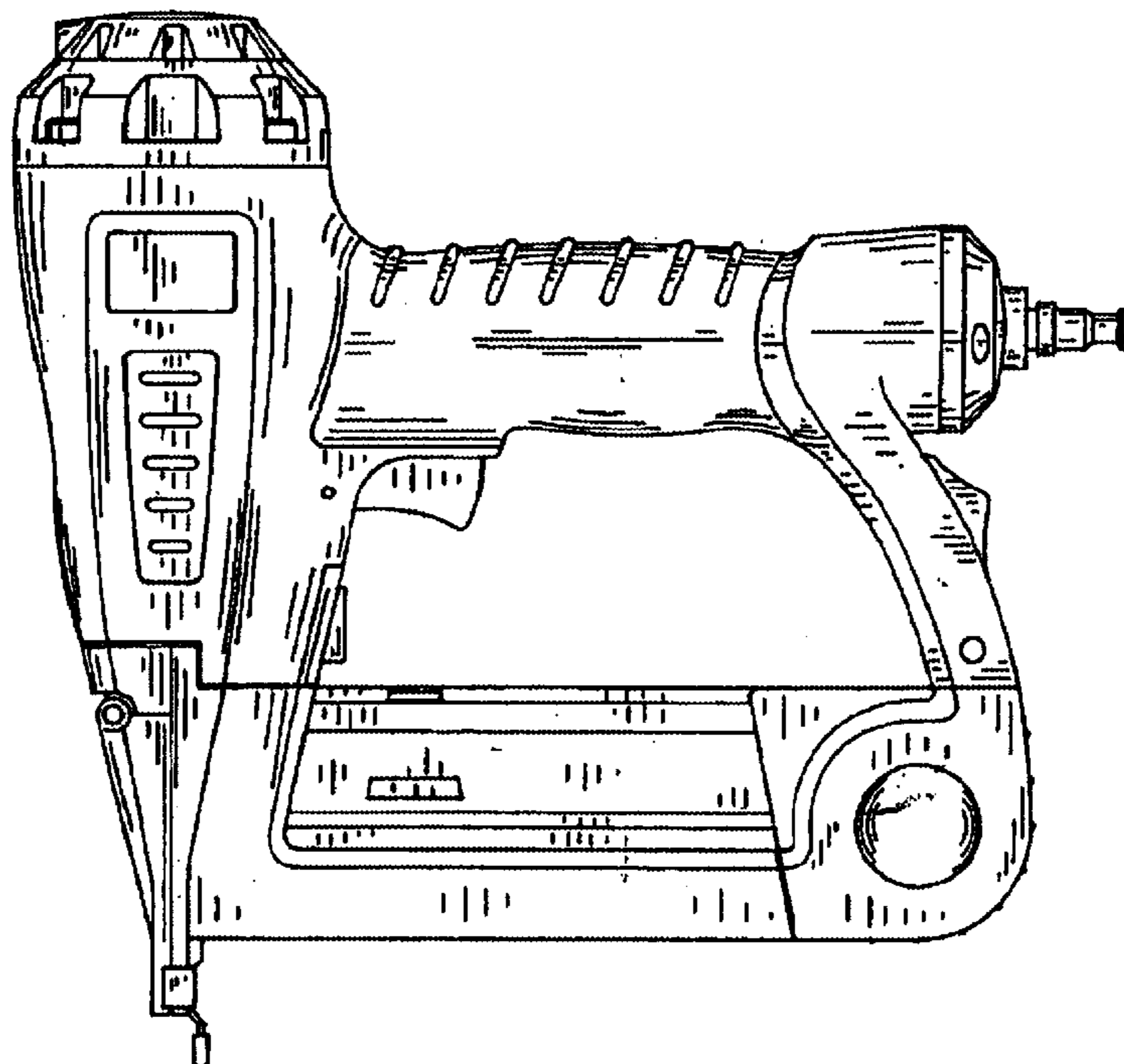
(57) **CLAIM**

We claim the ornamental design for a pneumatic fastener, as shown.

DESCRIPTION

FIG. 1 is top plan view showing my new design;
FIG. 2 is a front elevation view thereof;
FIG. 3 is a left side elevation view thereof;
FIG. 4 is rear elevation view thereof;
FIG. 5 is a right side elevation view thereof; and,
FIG. 6 is a bottom plan view thereof.

1 Claim, 2 Drawing Sheets



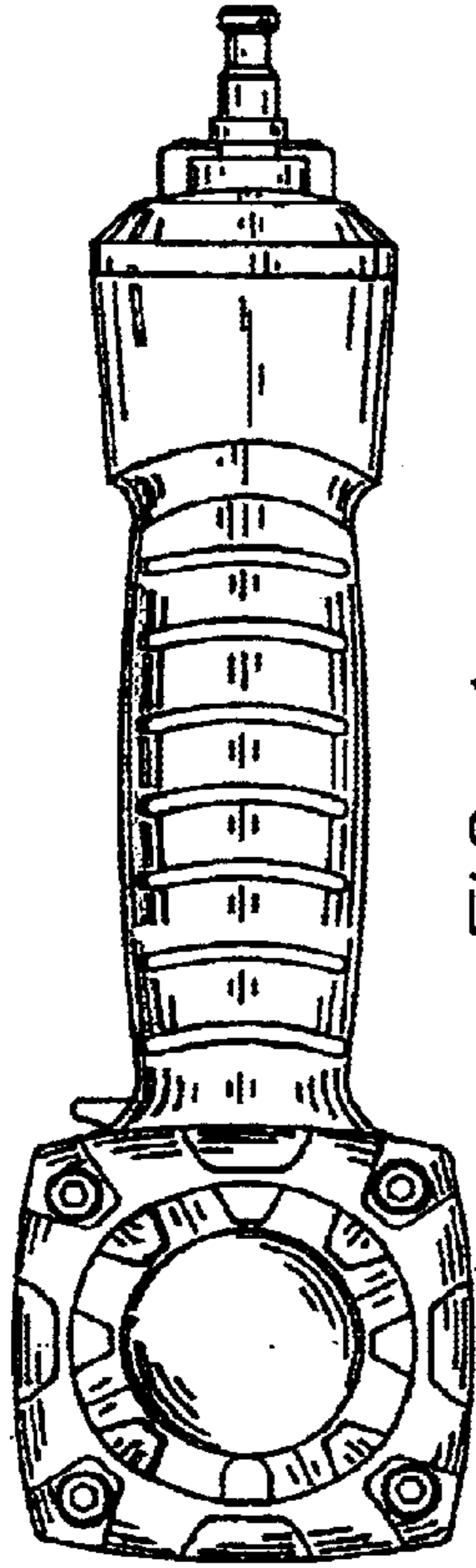


FIG. 1

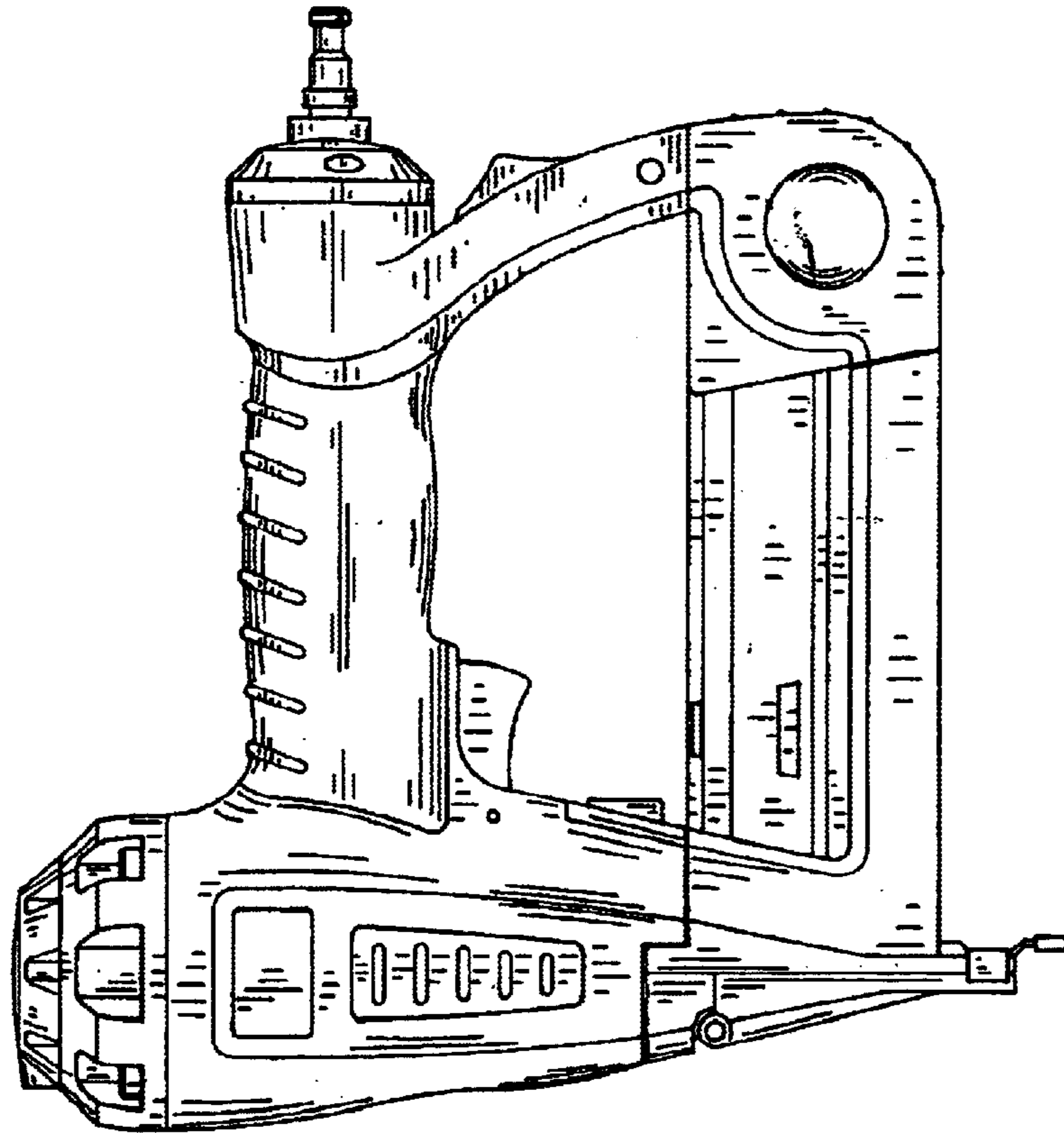


FIG. 3

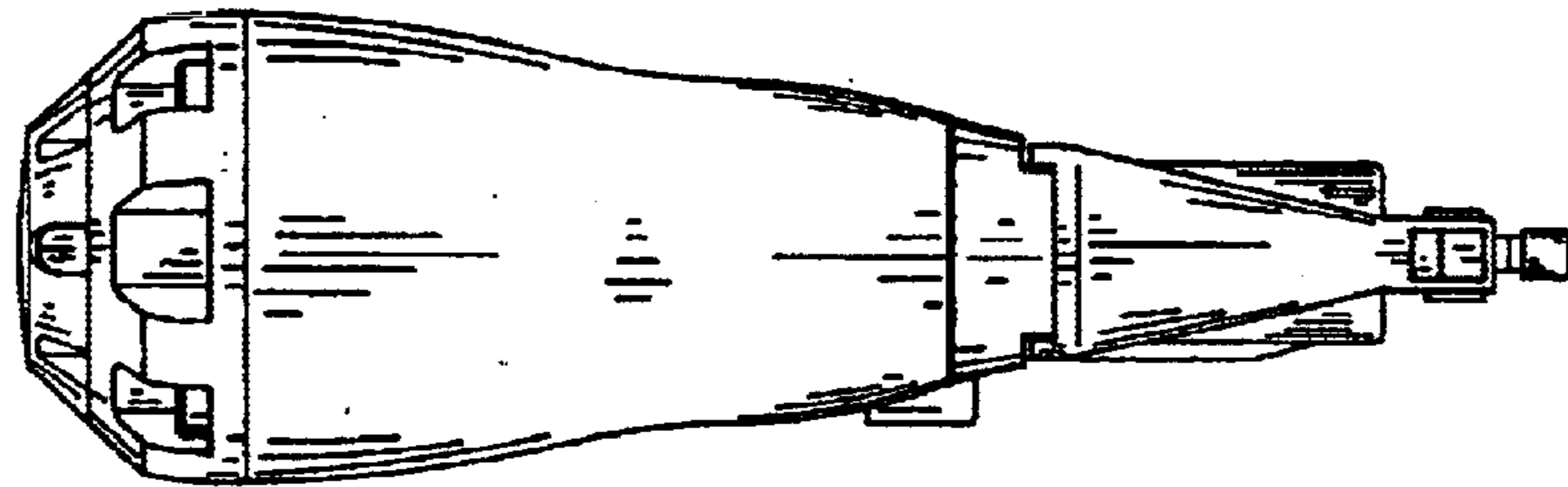


FIG. 2

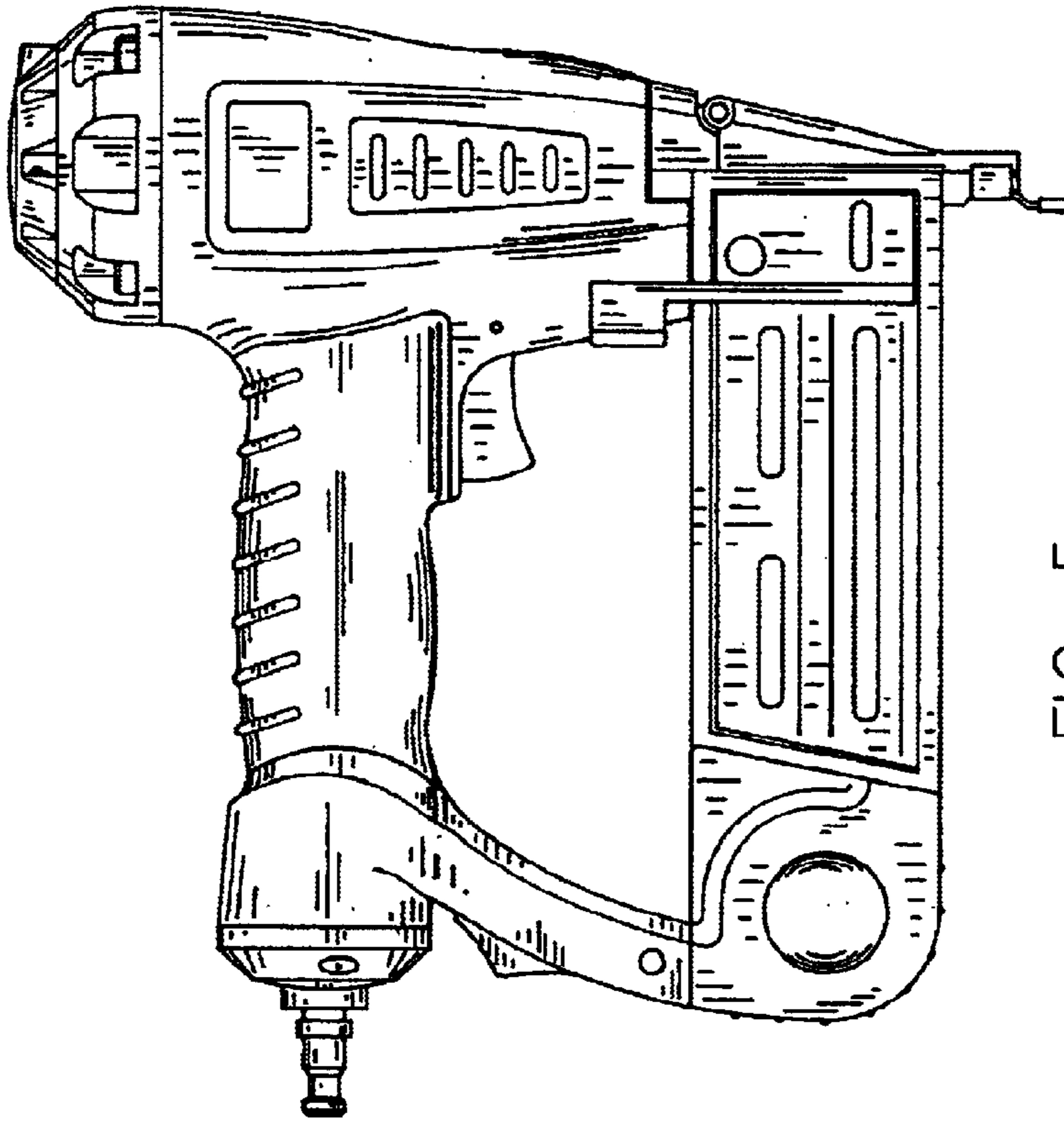


FIG. 5

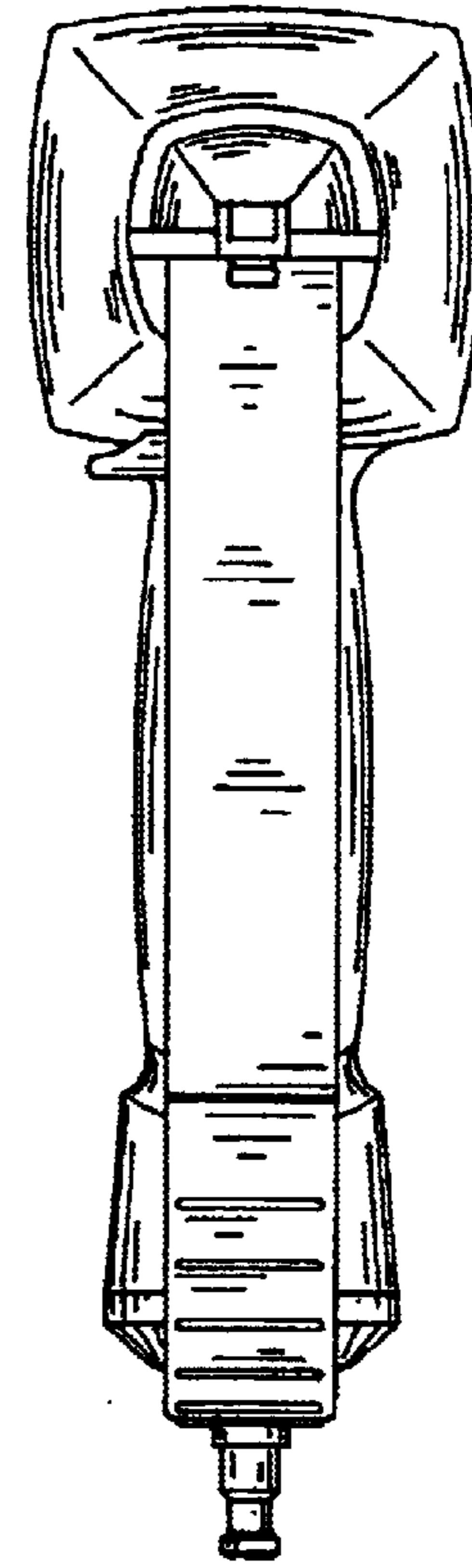


FIG. 6

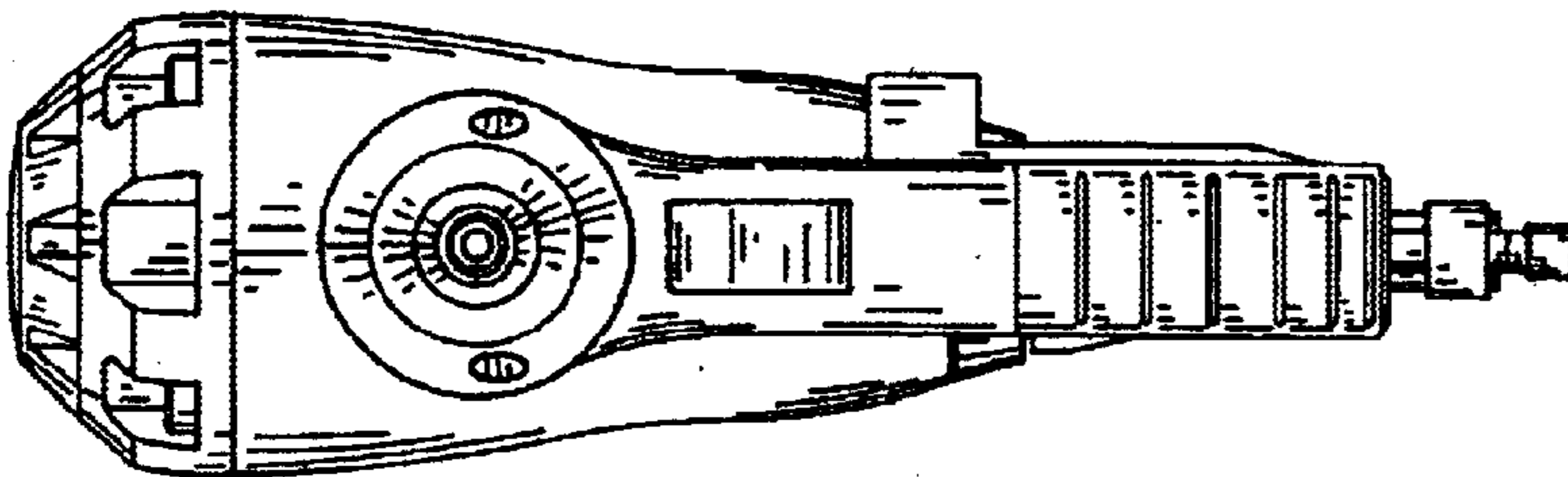


FIG. 4