

US00D500653S

(12) **United States Design Patent** (10) **Patent No.:** **US D500,653 S**
Concari (45) **Date of Patent:** **** Jan. 11, 2005**

(54) **POWER TOOL**

D404,276 S 1/1999 Ghode et al.
D411,947 S 7/1999 Sugimoto et al.

(75) Inventor: **Gabriel E. Concari**, Eldersburg, MD (US)

(List continued on next page.)

(73) Assignee: **Black & Decker, Inc.**, Newark, DE (US)

FOREIGN PATENT DOCUMENTS

(**) Term: **14 Years**

(21) Appl. No.: **29/204,243**

(22) Filed: **Apr. 27, 2004**

Related U.S. Application Data

(63) Continuation of application No. 29/197,251, filed on Jan. 13, 2004.

(51) **LOC (7) Cl.** **08-05**

(52) **U.S. Cl.** **D8/68**

(58) **Field of Search** D8/14.1, 61, 62, D8/63, 64, 65, 66, 67, 68, 69, 70; 81/57.11, 429, 464, 465, 466, 469, 489; 173/13, 169, 178, 213, 217; 227/8, 114, 120, 130, 136, 142; 310/50; 408/20, 124, 125, 234, 241 R; 451/358

DE	M 91 07 310	4/1991
DE	M 94 02 042	9/1993
DE	M 94 09 106	11/1994
DE	498 07 545	1/1998
DE	400 03 528	10/1999
DE	400 05 042	11/1999
DE	400 04 805	12/1999
DE	400 07 329	1/2000
DE	400 07 330	1/2000
DE	400 09 556	4/2000
DE	402 08 784	10/2000
DE	403 01 818	9/2002
DE	403 02 379	9/2002
DE	000008479-0001	4/2003
FR	000011929-0001	10/2002
WO	DM/028 653	2/1994
WO	DM/059857	5/2002

Primary Examiner—Joel A. Sincavage

Assistant Examiner—T. Chase Nelson

(74) *Attorney, Agent, or Firm*—Michael P. Leary; Charles E. Yocum

(56) **References Cited**

U.S. PATENT DOCUMENTS

D156,319 S	12/1949	Bushnell	
D159,044 S	6/1950	Bushnell	
4,440,238 A *	4/1984	Sauerwein et al.	173/171
D295,714 S	5/1988	Sasaki et al.	
D320,917 S	10/1991	Fushiya et al.	
D335,073 S	4/1993	Anthony et al.	
D339,046 S	9/1993	Fushiya et al.	
D340,394 S	10/1993	Okumura	
D340,396 S	10/1993	Icikawa	
D342,430 S	12/1993	Saito et al.	
D359,215 S *	6/1995	Zurwelle	D8/68
D368,214 S	3/1996	Zurwelle	
5,526,460 A *	6/1996	DeFrancesco et al.	388/831
D376,969 S	12/1996	Kazamaki et al.	
D392,863 S	3/1998	Sugimoto et al.	
D403,219 S	12/1998	Bosten et al.	

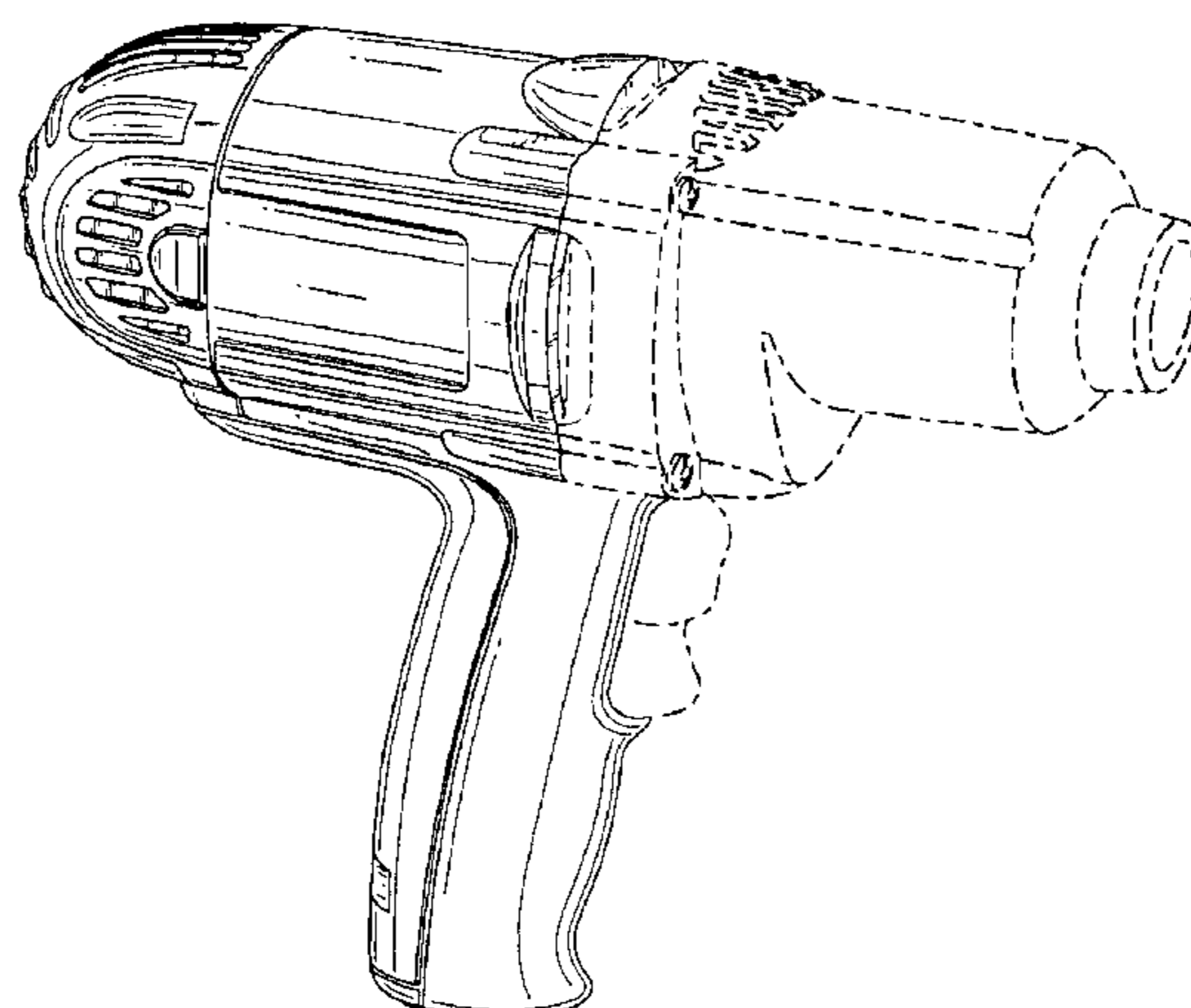
(57) **CLAIM**

The ornamental design for a power tool, as shown and described.

DESCRIPTION

FIG. 1 is a right front perspective view of a power tool according to my new design.
FIG. 2 is a left side view thereof.
FIG. 3 is a right side view thereof.
FIG. 4 is a front view thereof.
FIG. 5 is a rear view thereof.
FIG. 6 is a top view thereof; and,
FIG. 7 is a bottom view thereof.
The broken lines and the areas within the broken lines form no part of the claimed ornamental design.

1 Claim, 5 Drawing Sheets



US D500,653 S

Page 2

U.S. PATENT DOCUMENTS

D420,879 S	2/2000	Watson	D466,777 S	12/2002	Watson
D424,902 S	5/2000	Gildersleeve et al.	D467,147 S	12/2002	Watson
D428,320 S	7/2000	Ohi et al.	D467,148 S	* 12/2002	Flickinger D8/68
D431,766 S	10/2000	Zurwelle	D467,780 S	12/2002	Koizumi
D433,612 S	11/2000	Donaldson, Jr.	D478,262 S	8/2003	Chunn
D435,414 S	12/2000	Etter et al.	D489,955 S	* 5/2004	Concari et al. D8/68
D437,761 S	2/2001	Okumura	6,733,414 B2	* 5/2004	Elger 173/211
D446,704 S	8/2001	Shibata et al.	D493,344 S	* 7/2004	Watson D8/68
D462,594 S	* 9/2002	Flickinger D8/68	2002/0096343 A1	* 7/2002	Potter et al. 173/178
6,446,734 B1	* 9/2002	Williams et al. 173/213	2003/0143042 A1	* 7/2003	Doyle et al. 408/124

* cited by examiner

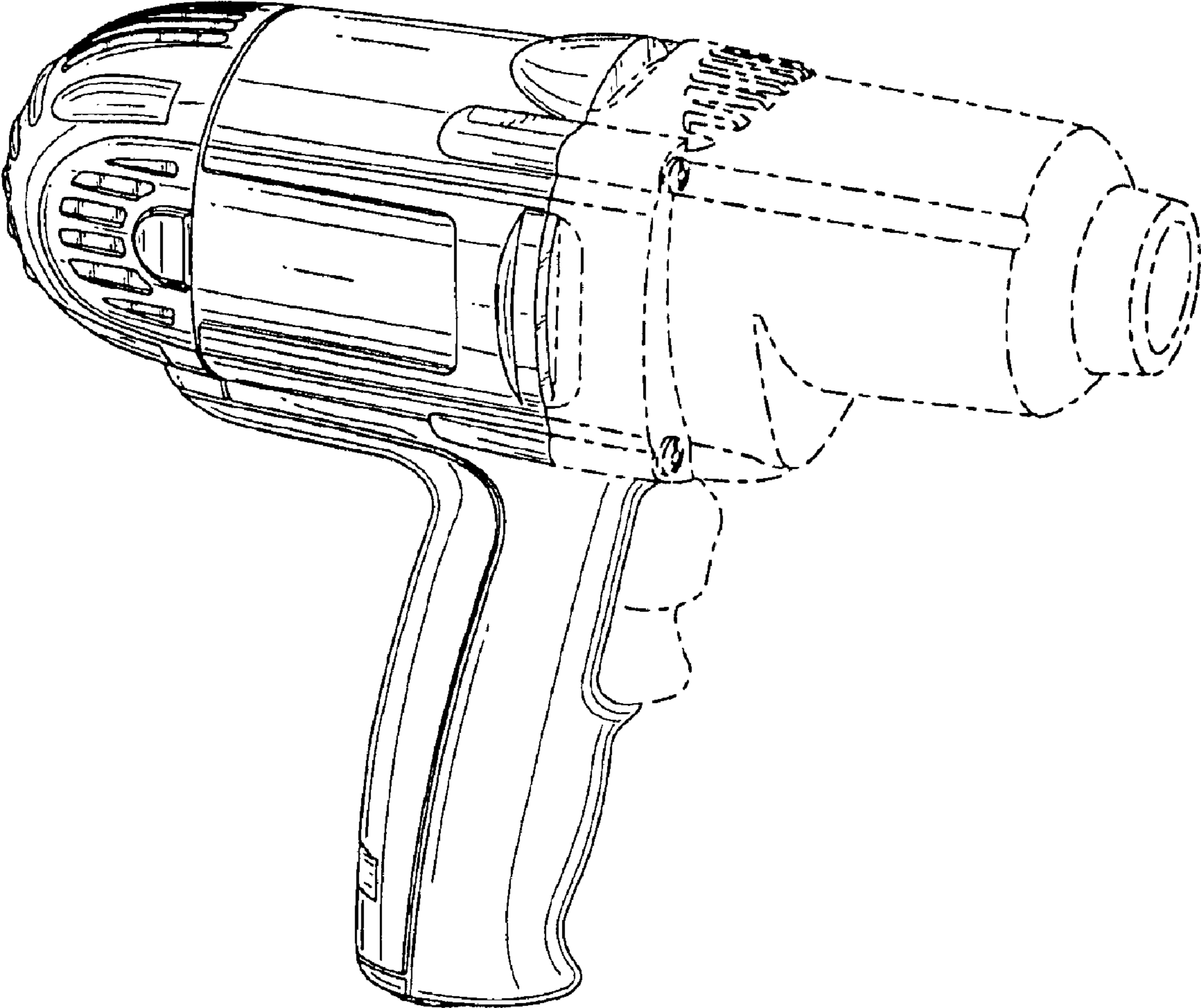


FIG. 1

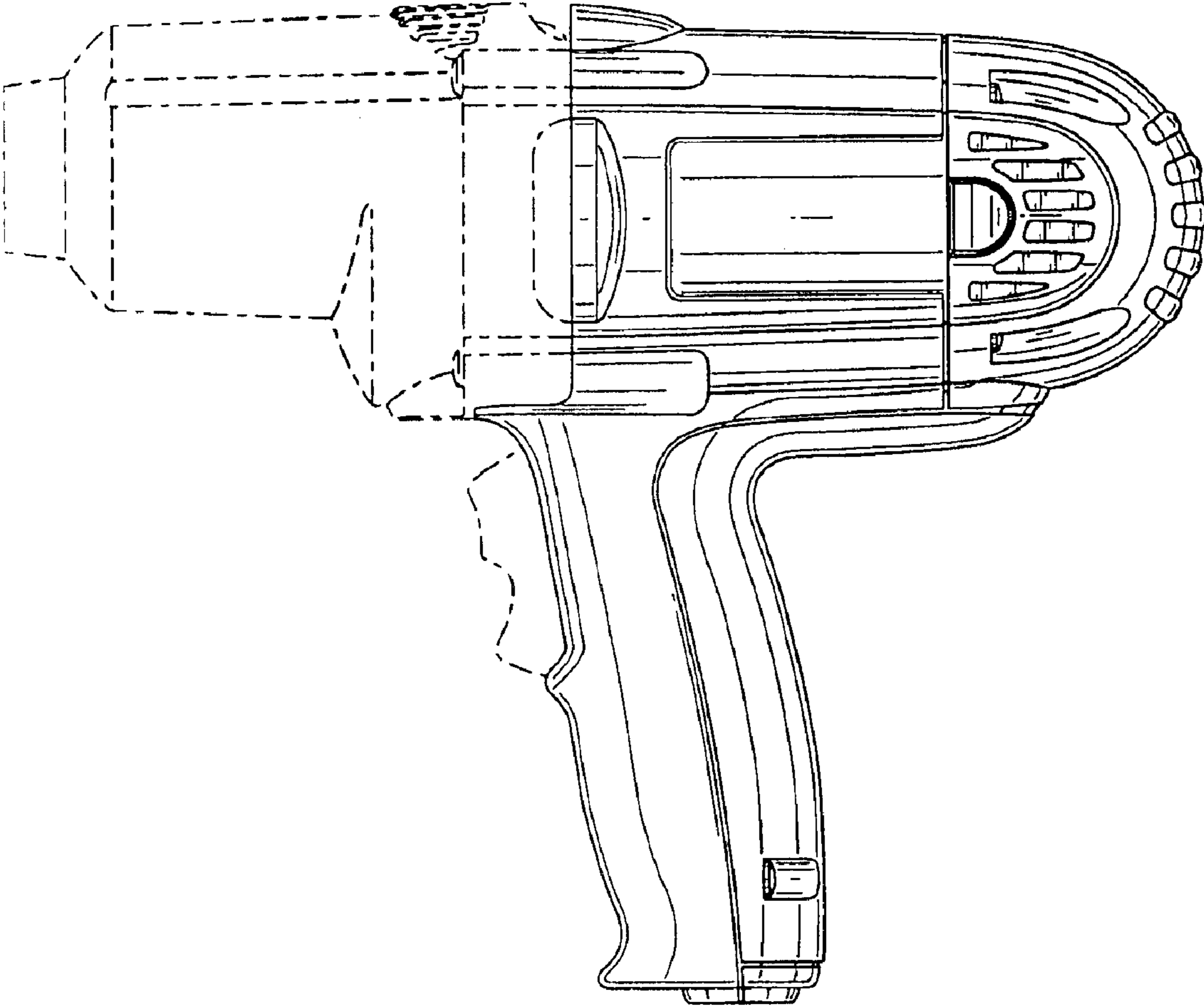


FIG. 2

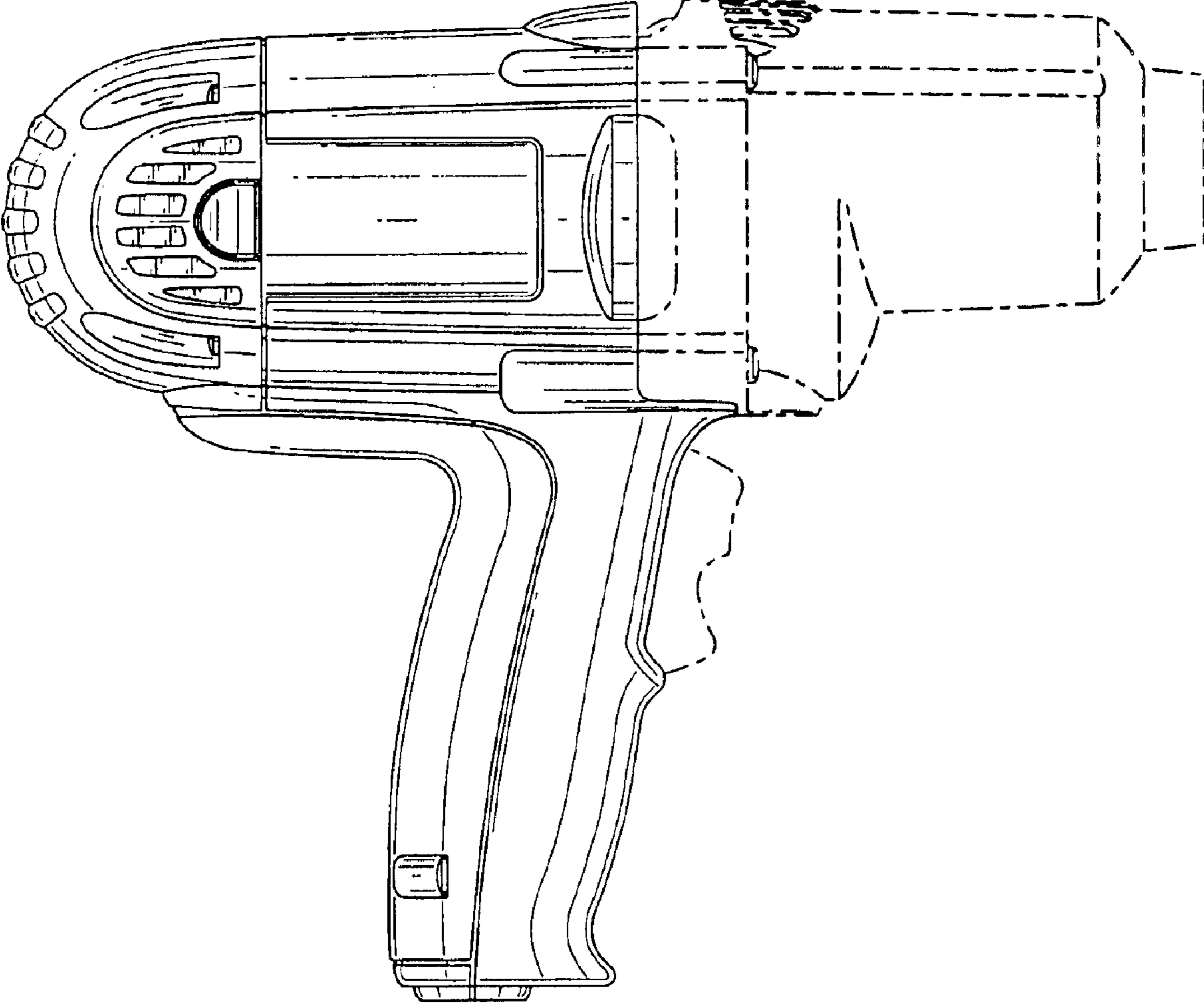


FIG. 3

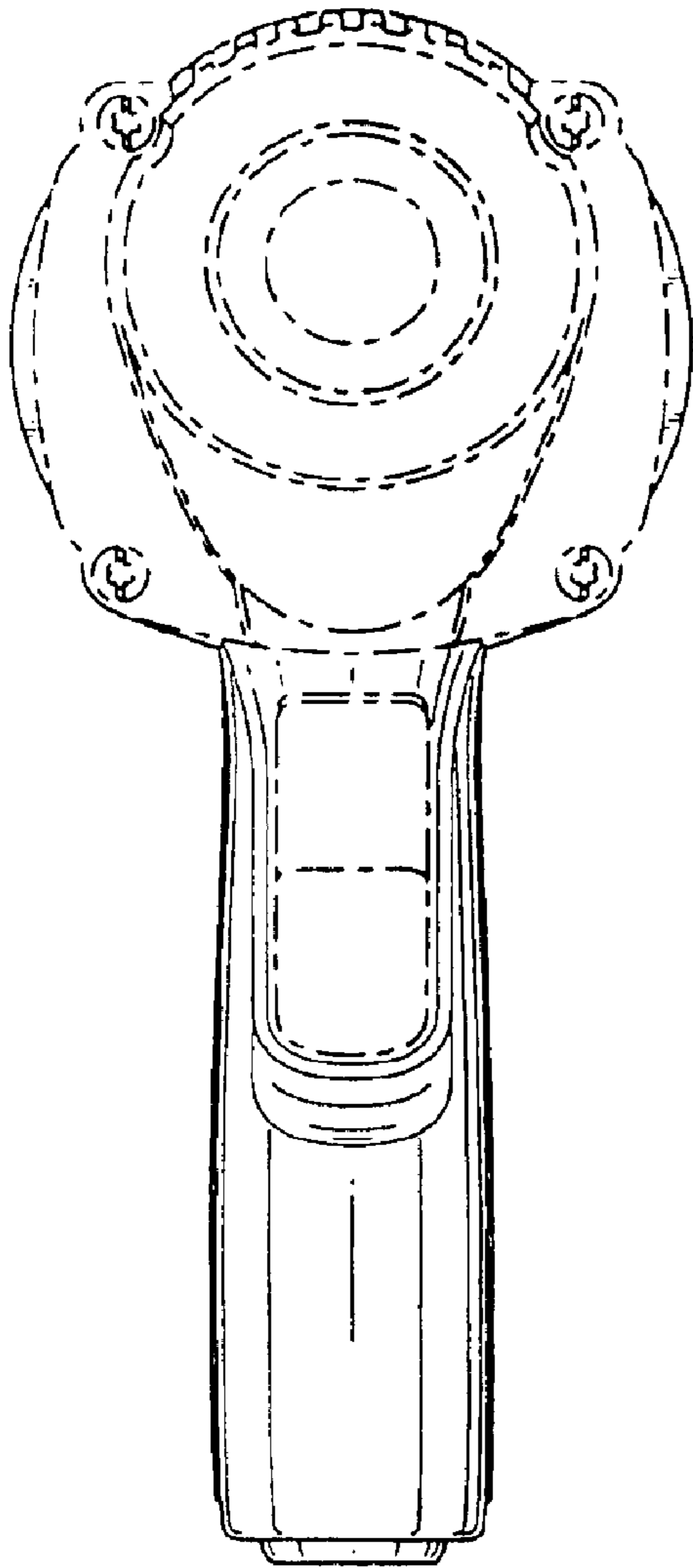


FIG. 4

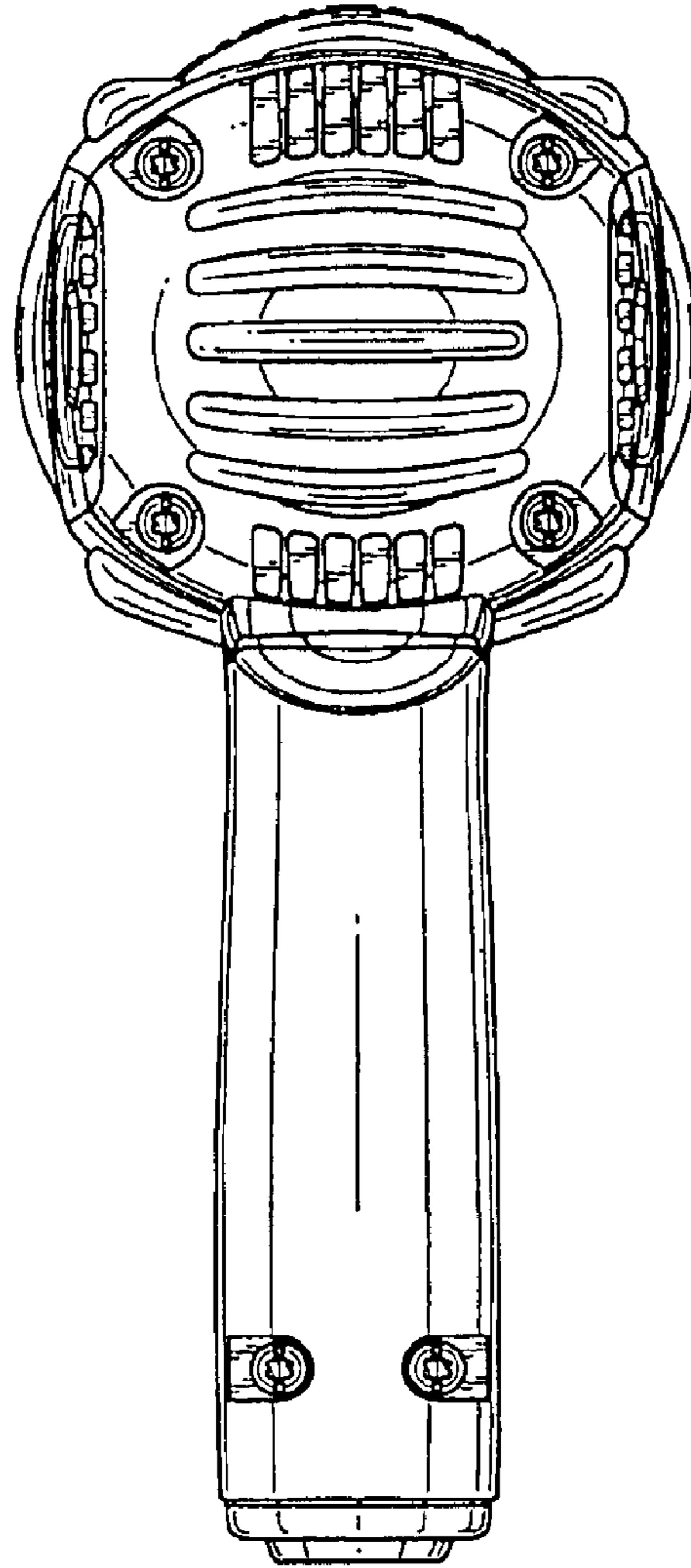


FIG. 5

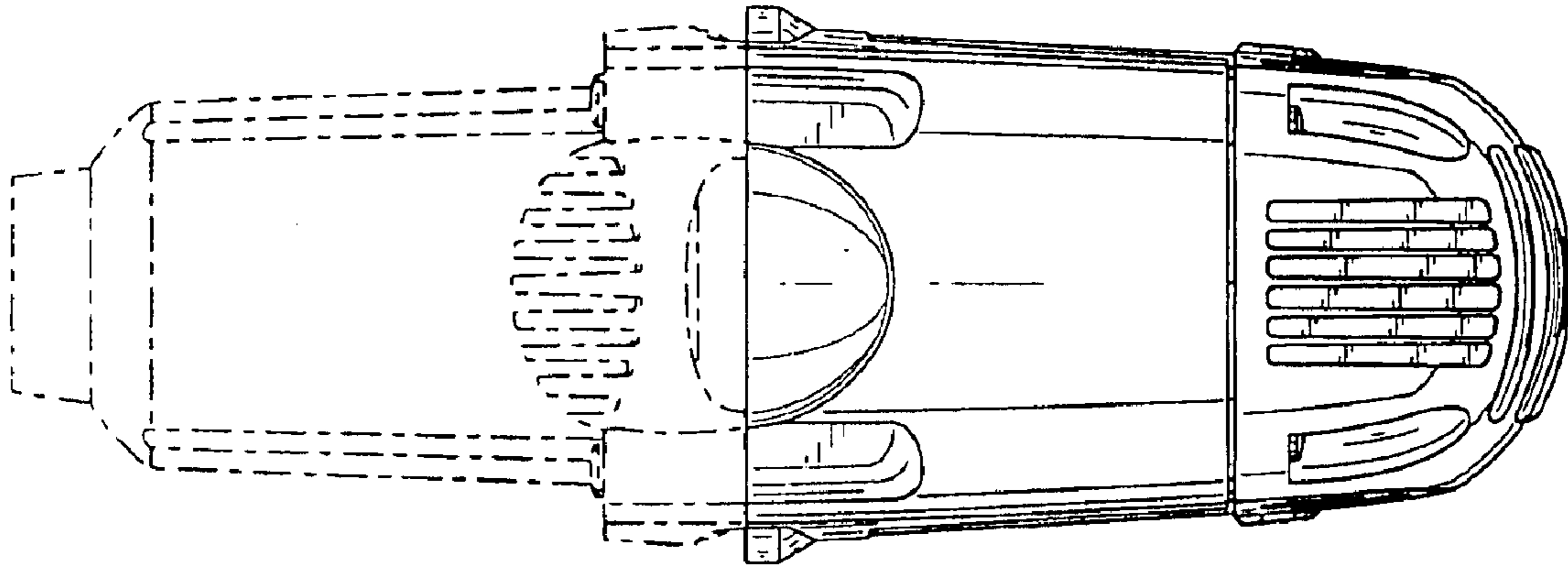


FIG. 6

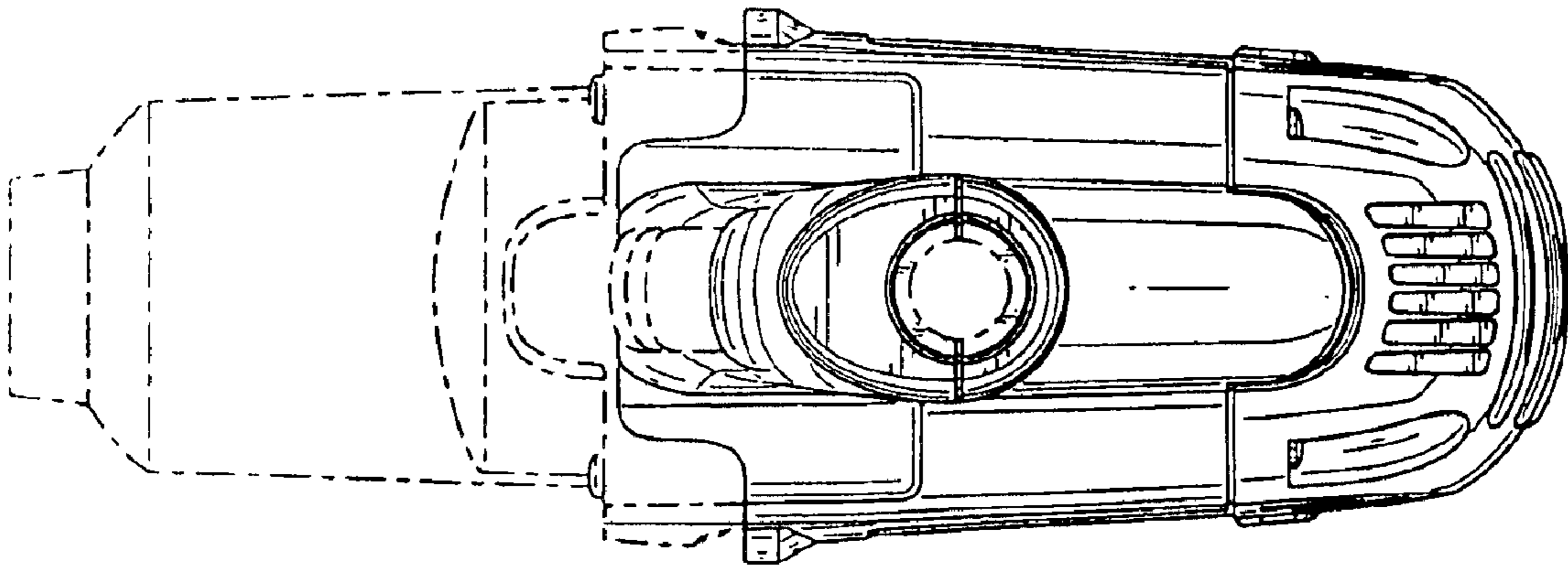


FIG. 7