



US00D500652S

(12) **United States Design Patent**
Huang

(10) **Patent No.:** **US D500,652 S**

(45) **Date of Patent:** **** Jan. 11, 2005**

(54) **NAILING GUN**

(76) **Inventor:** **Chen-Fa Huang**, 58, Ma Yuan West St., Taichung (TW)

(**) **Term:** **14 Years**

(21) **Appl. No.:** **29/194,153**

(22) **Filed:** **Nov. 17, 2003**

(51) **LOC (7) Cl.** **08-05**

(52) **U.S. Cl.** **D8/68**

(58) **Field of Search** D8/14.1, 61, 62, D8/63, 64, 65, 66, 67, 68, 69, 70; 81/57.11, 429, 464, 465, 466, 469, 489; 173/13, 169, 178, 213, 217; 227/8, 114, 120, 130, 136, 142; 310/50; 408/20, 124, 125, 234, 241 R; 451/358

(56) **References Cited**

U.S. PATENT DOCUMENTS

D211,206 S	*	5/1968	Johnson	D8/68
D222,229 S	*	10/1971	Schaedler	D8/68
D338,818 S	*	8/1993	Katsuba	D8/69
D348,382 S	*	7/1994	Kaiser	D8/70
D378,185 S	*	2/1997	Liu	D8/68
D383,658 S	*	9/1997	Kaiser	D8/69
6,116,488 A	*	9/2000	Lee	227/8
D432,881 S	*	10/2000	Chen	D8/68
D432,882 S	*	10/2000	Matsuoka et al.	D8/68

D460,336 S	*	7/2002	Pretzell	D8/69
6,422,446 B1	*	7/2002	Liu	227/8
D484,764 S	*	1/2004	Ho	D8/68
2001/0040036 A1	*	11/2001	Habedank et al.	310/50
2003/0094477 A1	*	5/2003	Chen	227/120
2003/0222116 A1	*	12/2003	Chen et al.	227/120

* cited by examiner

Primary Examiner—Joel A. Sincavage

Assistant Examiner—T. Chase Nelson

(57) **CLAIM**

The ornamental design for a nailing gun, as shown and described.

DESCRIPTION

FIG. 1 is a perspective view of a nailing gun showing my design;

FIG. 2 is a front elevational view thereof;

FIG. 3 is a rear elevational view thereof;

FIG. 4 is a left side elevational view thereof;

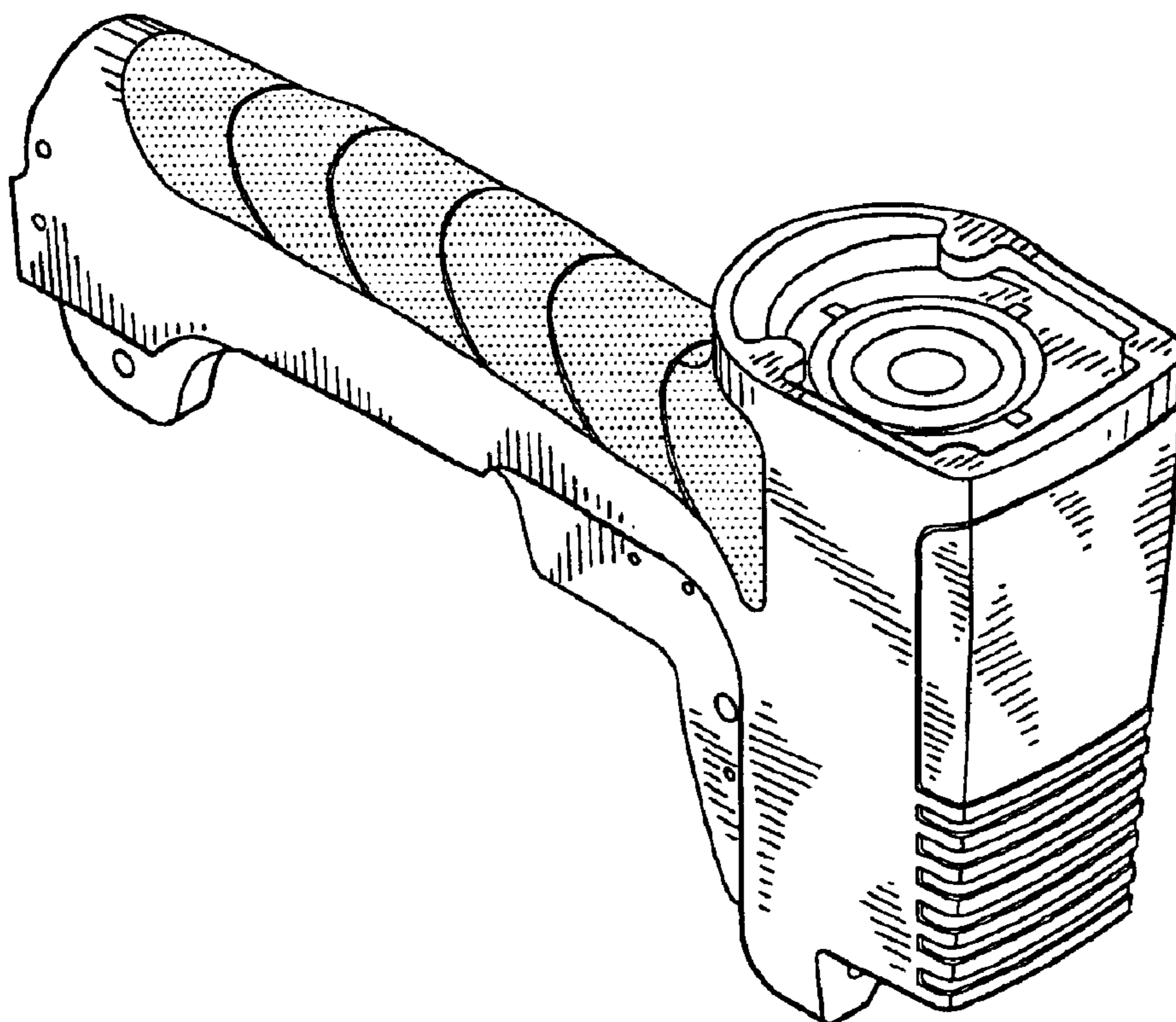
FIG. 5 is a right side elevational view thereof;

FIG. 6 is a top plan view thereof;

FIG. 7 is a bottom plan view thereof; and,

FIG. 8 is a perspective view of the nailing gun in condition of use, the broken line showing of environmental structure being for illustrative purposes only and forming no part of the claimed design.

1 Claim, 6 Drawing Sheets



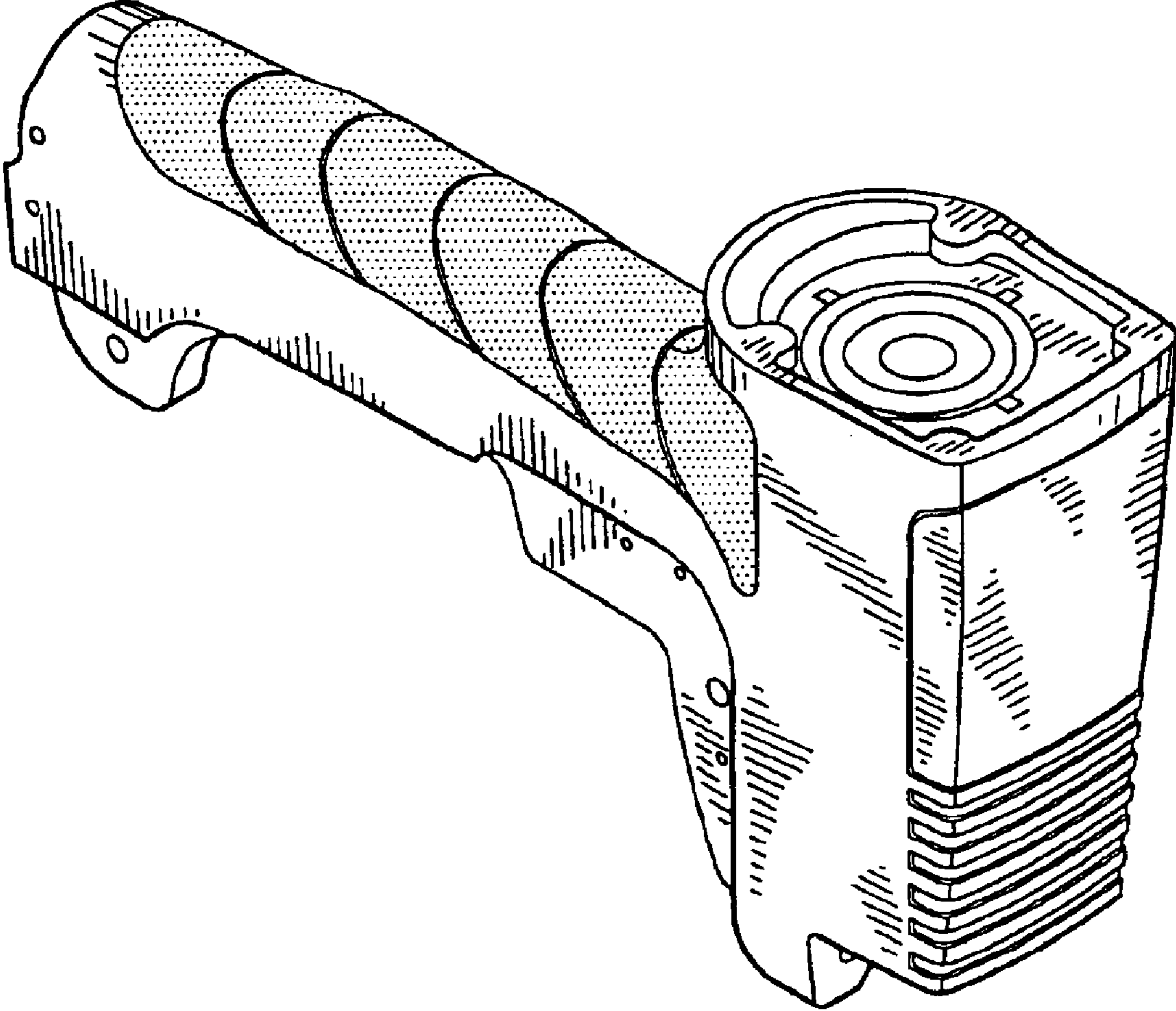


FIG. 1

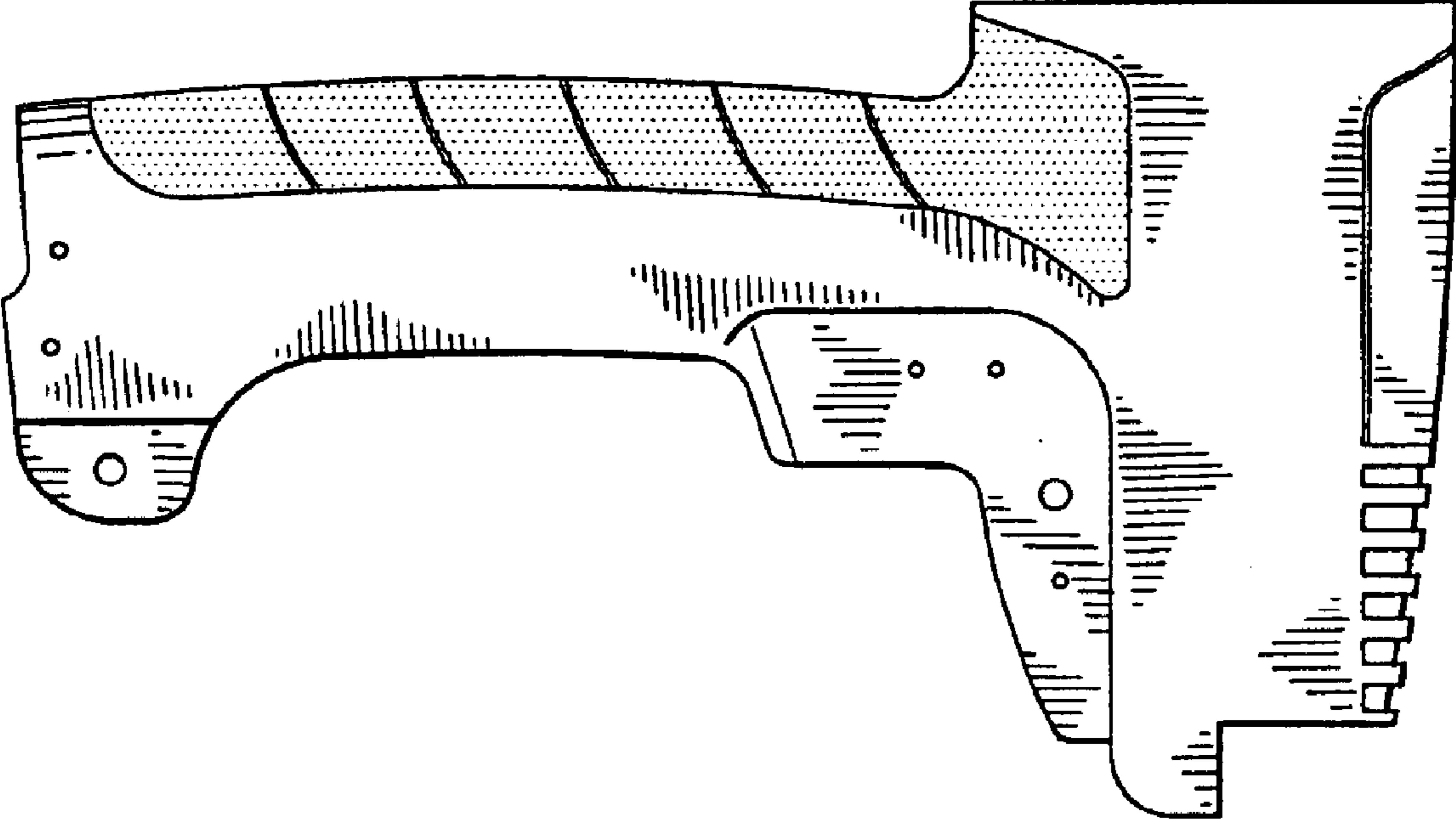


FIG. 2

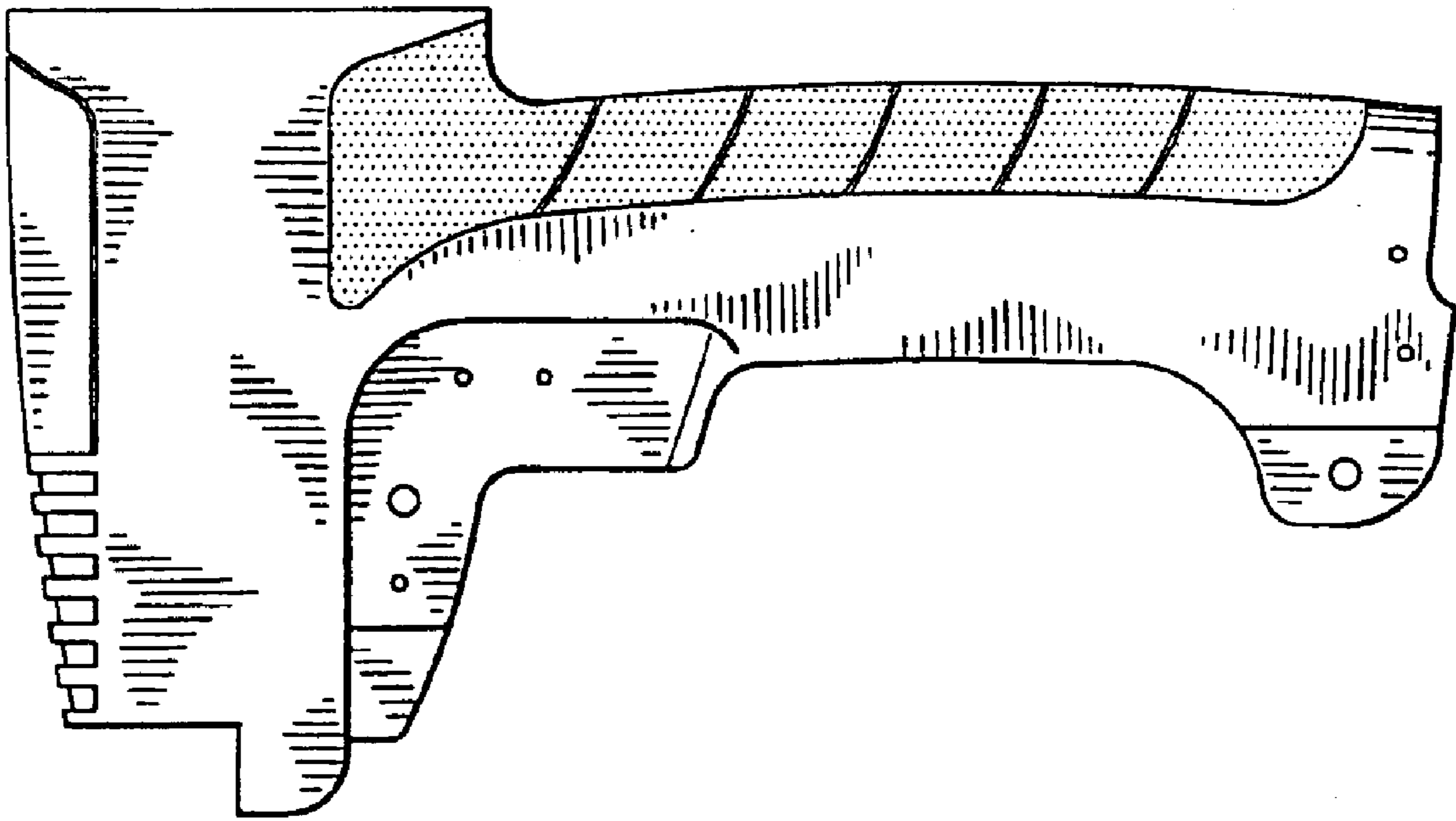


FIG. 3

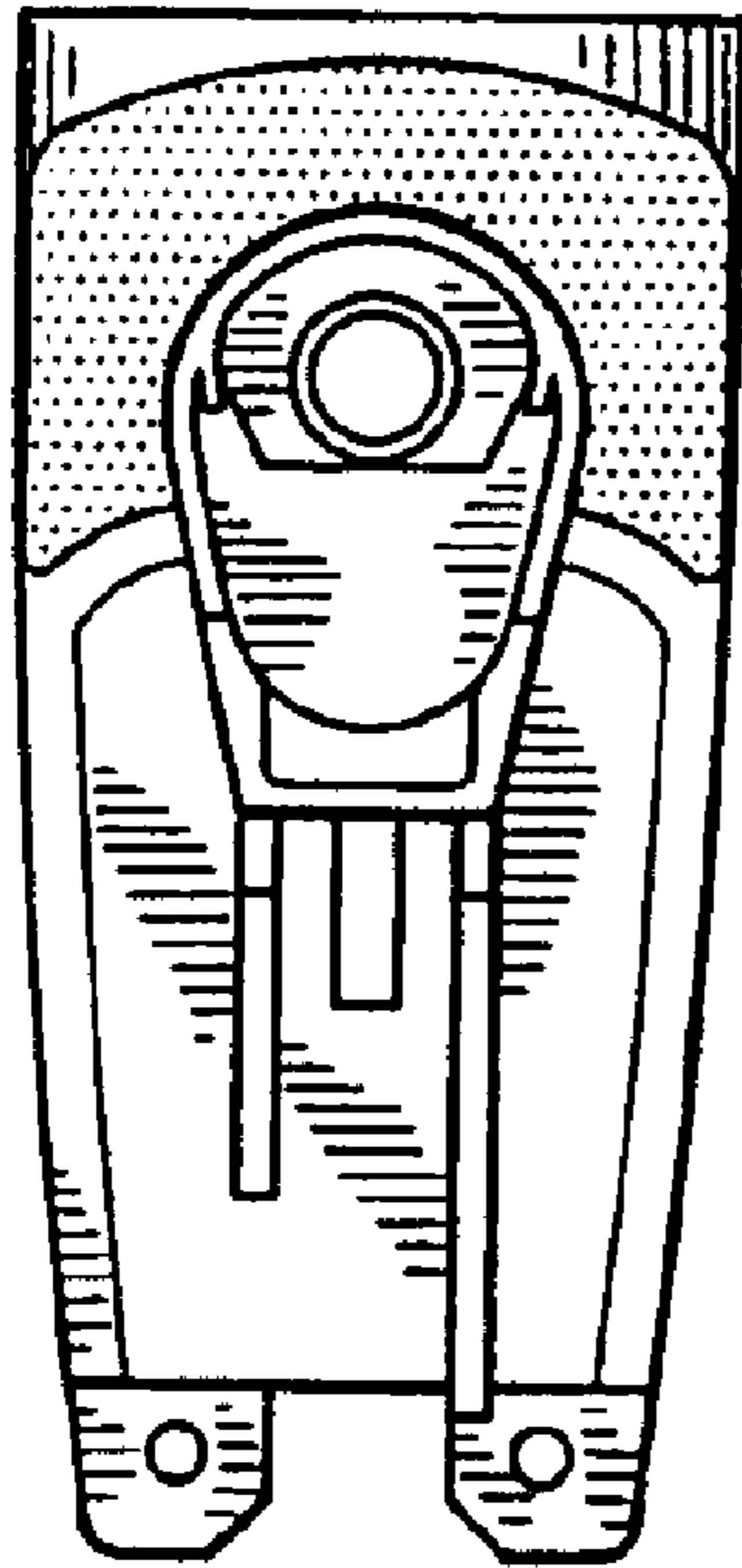


FIG. 4

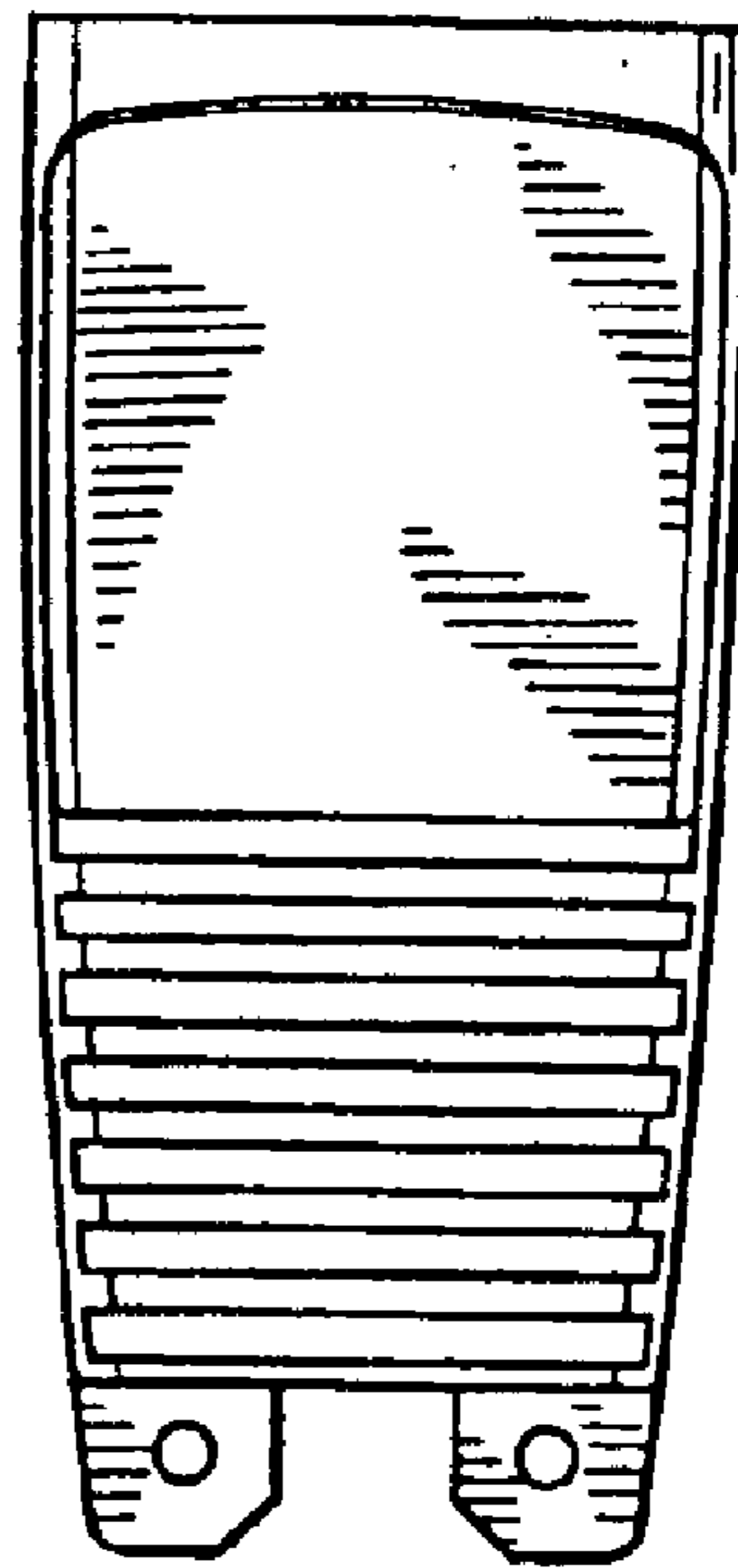


FIG. 5

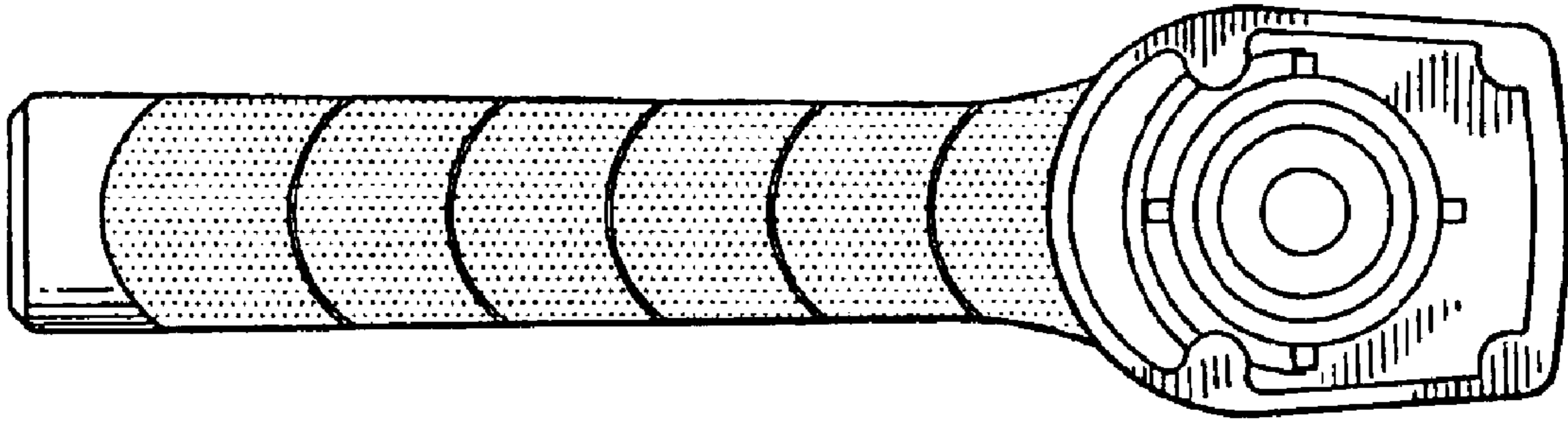


FIG. 6

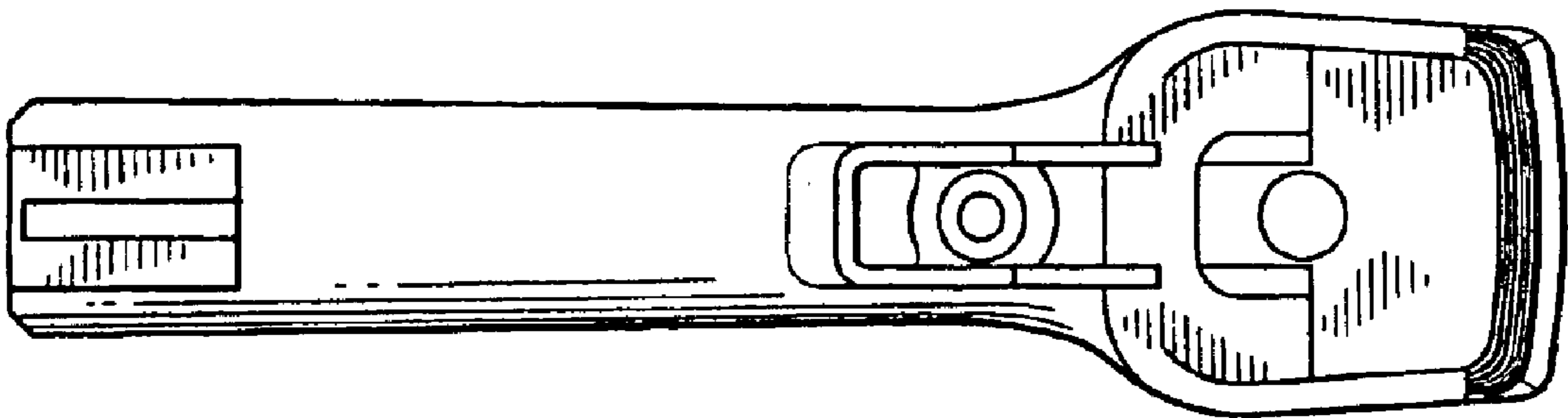


FIG. 7

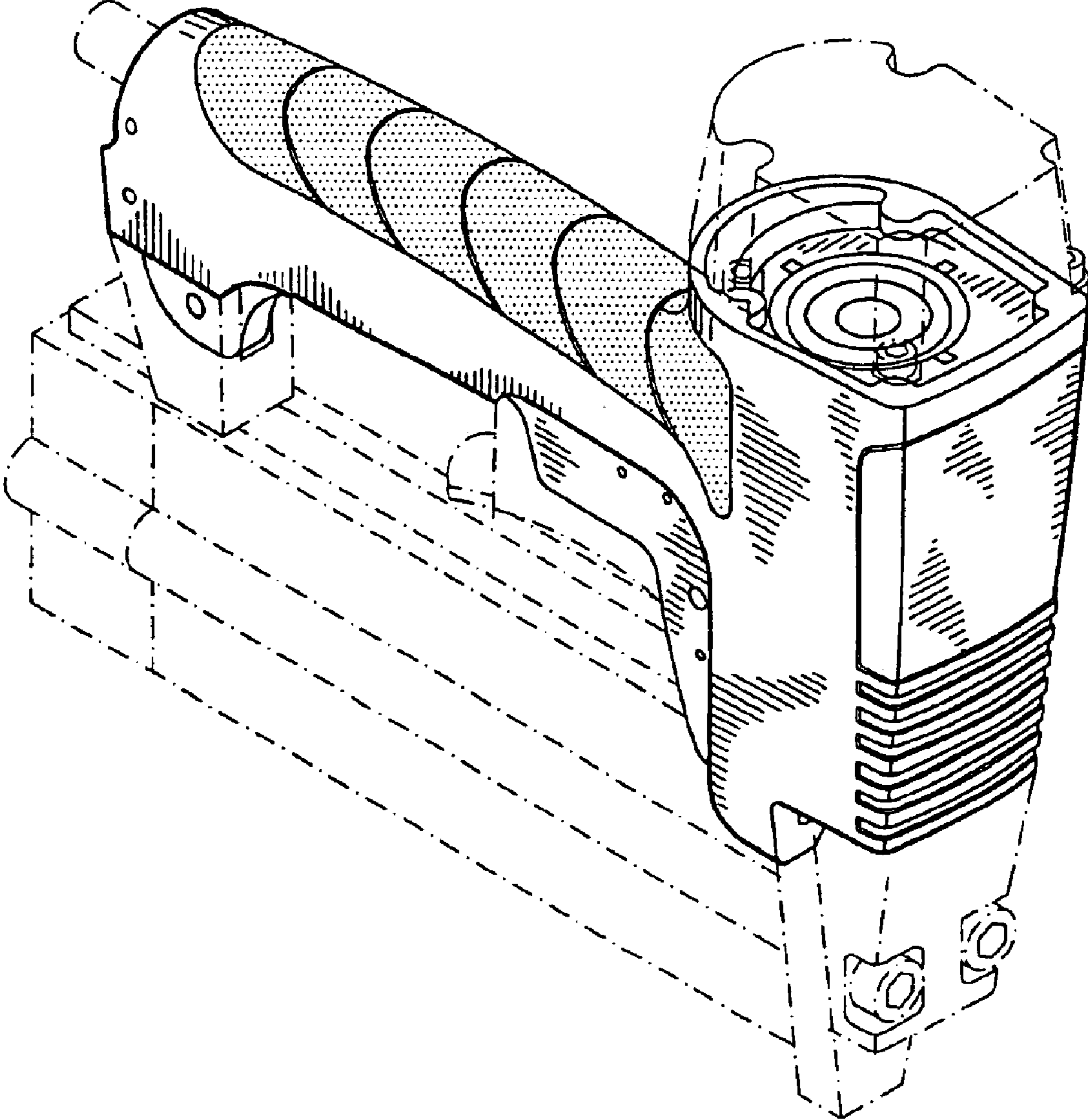


FIG. 8