



US00D500651S

(12) **United States Design Patent**  
**Andriolo**

(10) **Patent No.:** **US D500,651 S**  
(45) **Date of Patent:** **\*\* Jan. 11, 2005**

(54) **RECIPROCATING SAW**

(75) Inventor: **Paolo Andriolo**, Vicenza (IT)

(73) Assignee: **Positec Power Tools Co., Ltd.** (CN)

(\*\*) Term: **14 Years**

(21) Appl. No.: **29/189,629**

(22) Filed: **Sep. 9, 2003**

(30) **Foreign Application Priority Data**

Mar. 10, 2003 (CN) ..... 03314986

(51) **LOC (7) Cl.** ..... **08-03**

(52) **U.S. Cl.** ..... **D8/64**

(58) **Field of Search** ..... D8/61, 64, 67,  
D8/68, 69; 30/374, 375, 376, 377, 390,  
391, 392, 393, 394; 83/699.21, 747; 173/216,  
217; 310/50

(56) **References Cited**

**U.S. PATENT DOCUMENTS**

- D339,510 S \* 9/1993 Sakamoto et al. .... D8/64
- D340,395 S \* 10/1993 Tanaka ..... D8/69
- D413,244 S \* 8/1999 Robson ..... D8/69
- D473,771 S \* 4/2003 Hayakawa et al. .... D8/64
- D474,088 S \* 5/2003 Chunn et al. .... D8/64

D479,453 S \* 9/2003 Lind et al. .... D8/64

\* cited by examiner

*Primary Examiner*—Joel A. Sincavage

*Assistant Examiner*—Elizabeth Albert

(74) *Attorney, Agent, or Firm*—TraskBritt

(57) **CLAIM**

The ornamental design for a reciprocating saw, as shown and described.

**DESCRIPTION**

FIG. 1 is a perspective view of a reciprocating saw showing my new design;

FIG. 2 is a left side view of the reciprocating saw shown in FIG. 1;

FIG. 3 is a right side view of the reciprocating saw shown in FIG. 1;

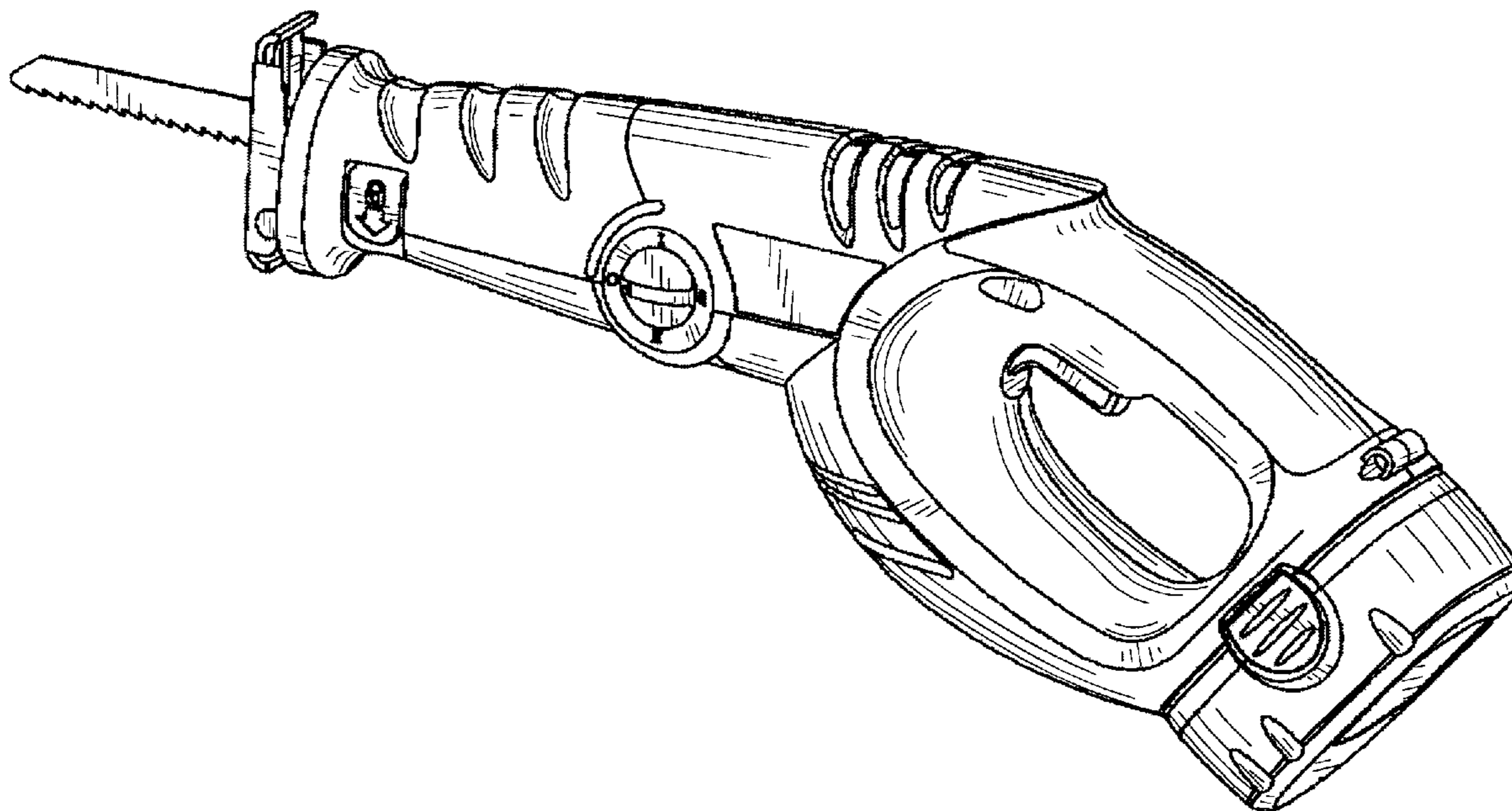
FIG. 4 is a rear elevational view of the reciprocating saw shown in FIG. 1; and

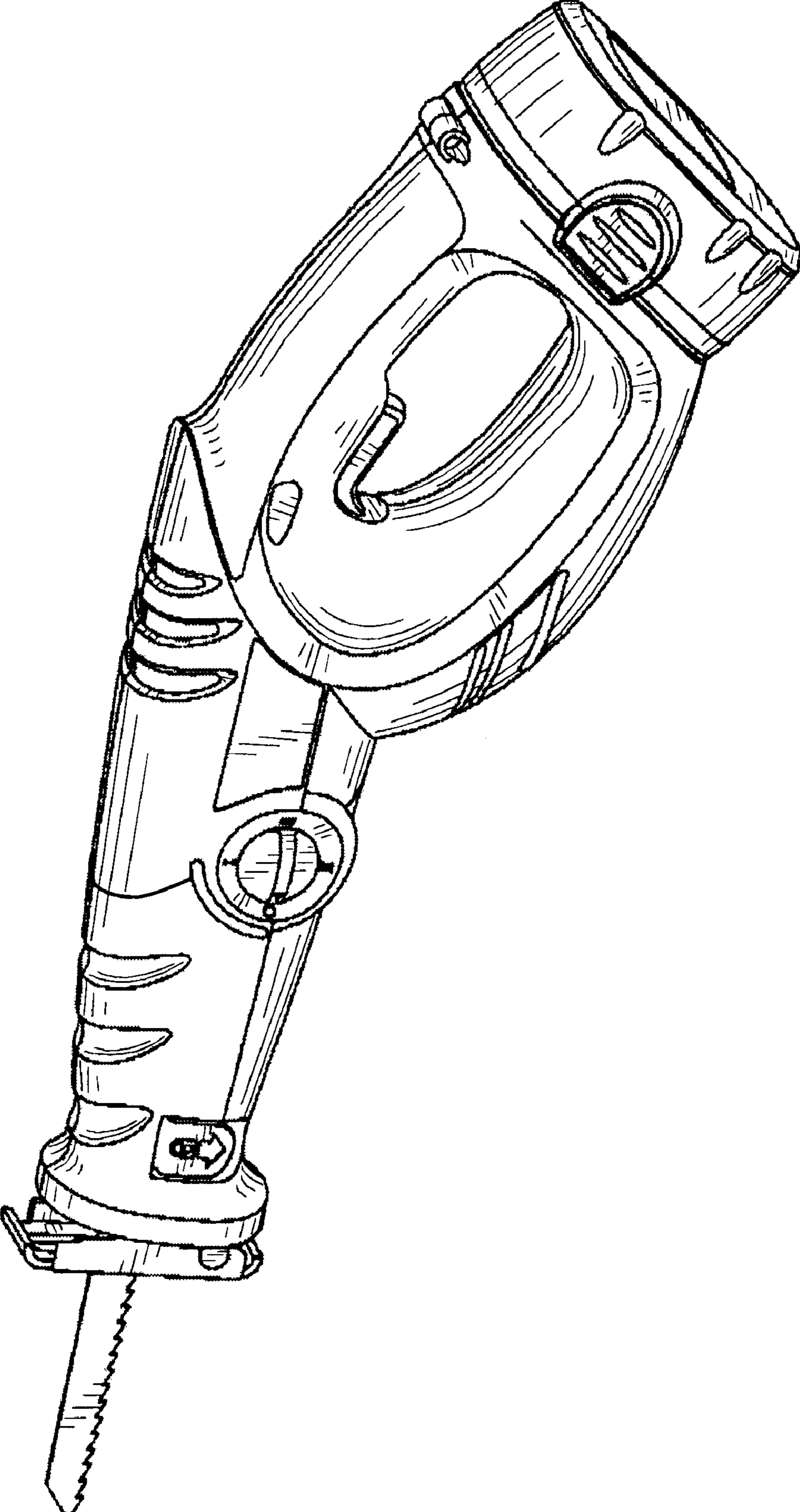
FIG. 5 is a front elevational view of the reciprocating saw shown in FIG. 1.

FIG. 6 is a top view of the reciprocating saw shown in FIG. 1; and,

FIG. 7 is a bottom view of the reciprocating saw shown in FIG. 1.

**1 Claim, 4 Drawing Sheets**





**FIG. 1**

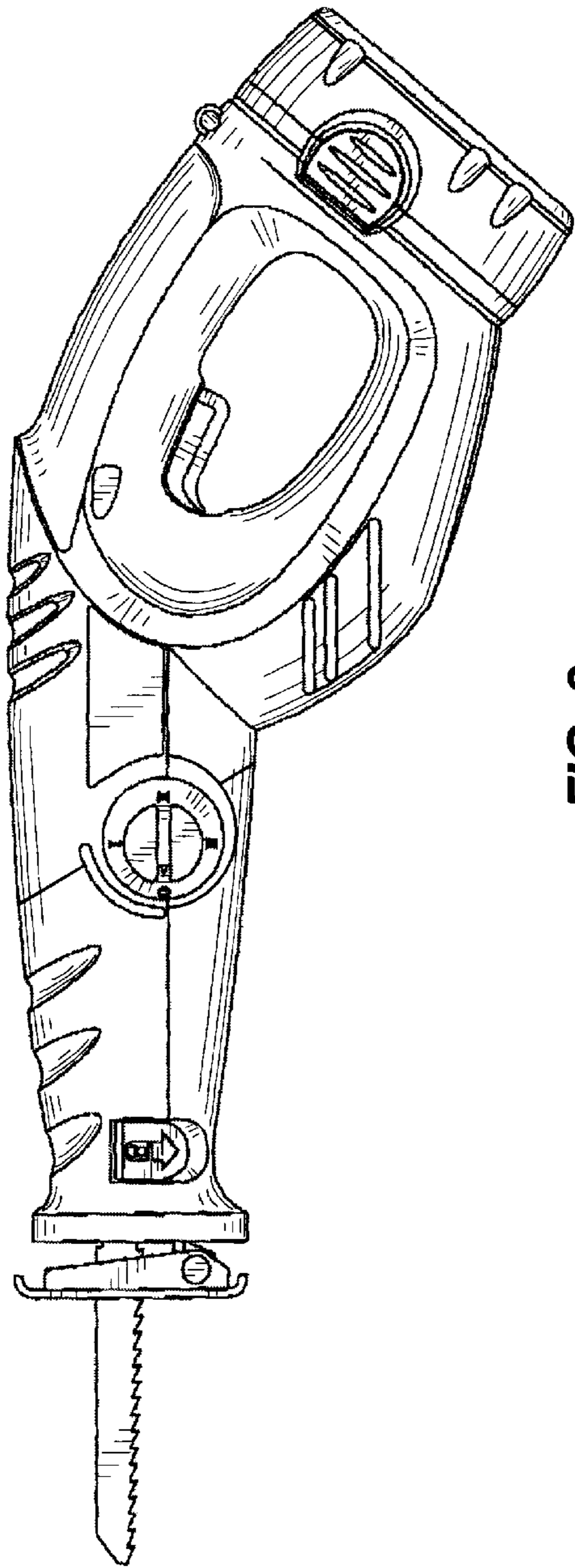


FIG. 2

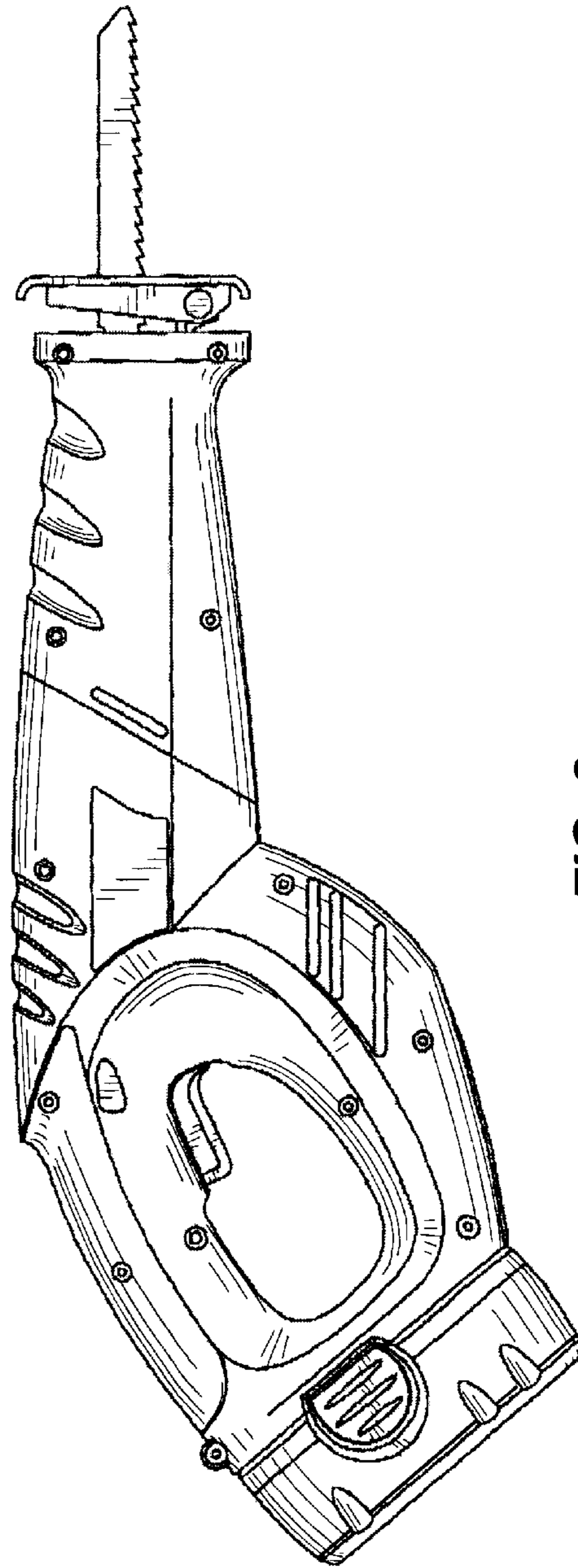
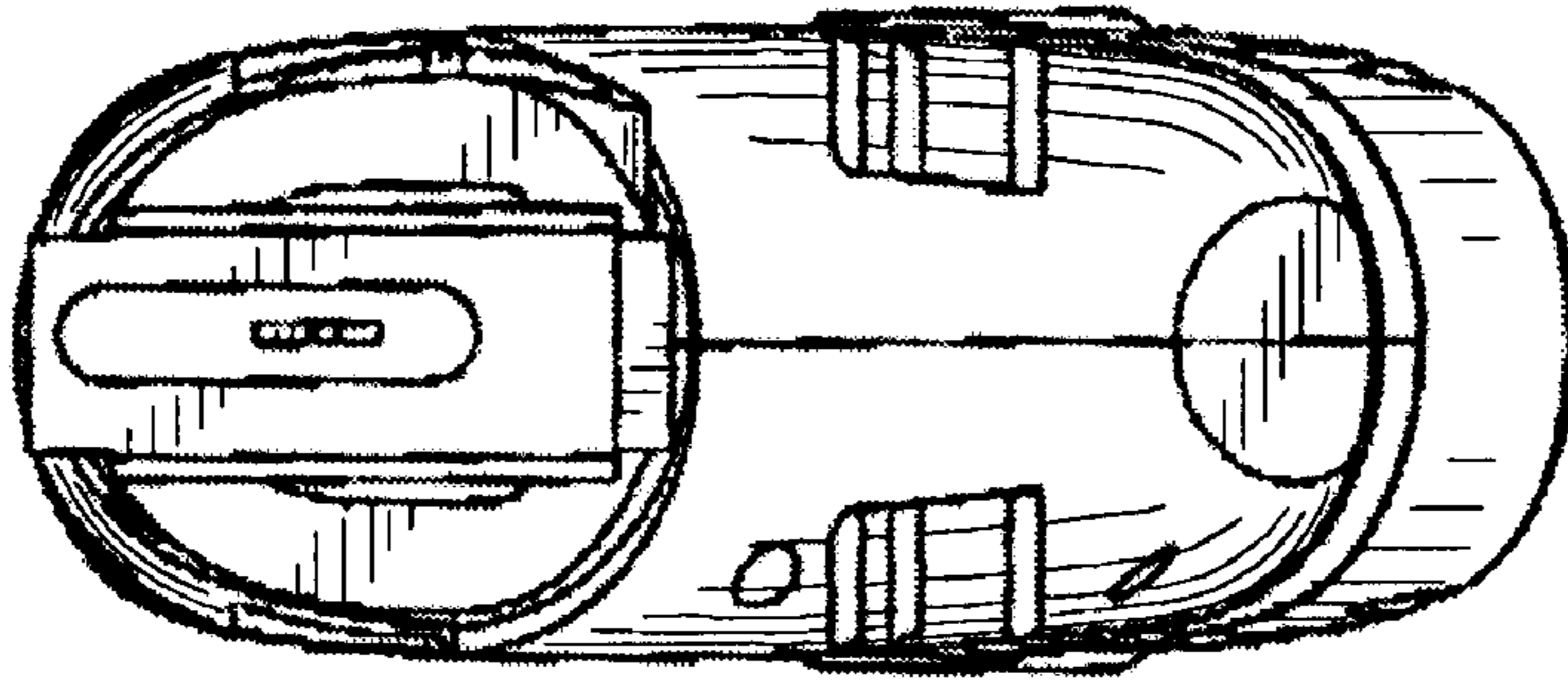
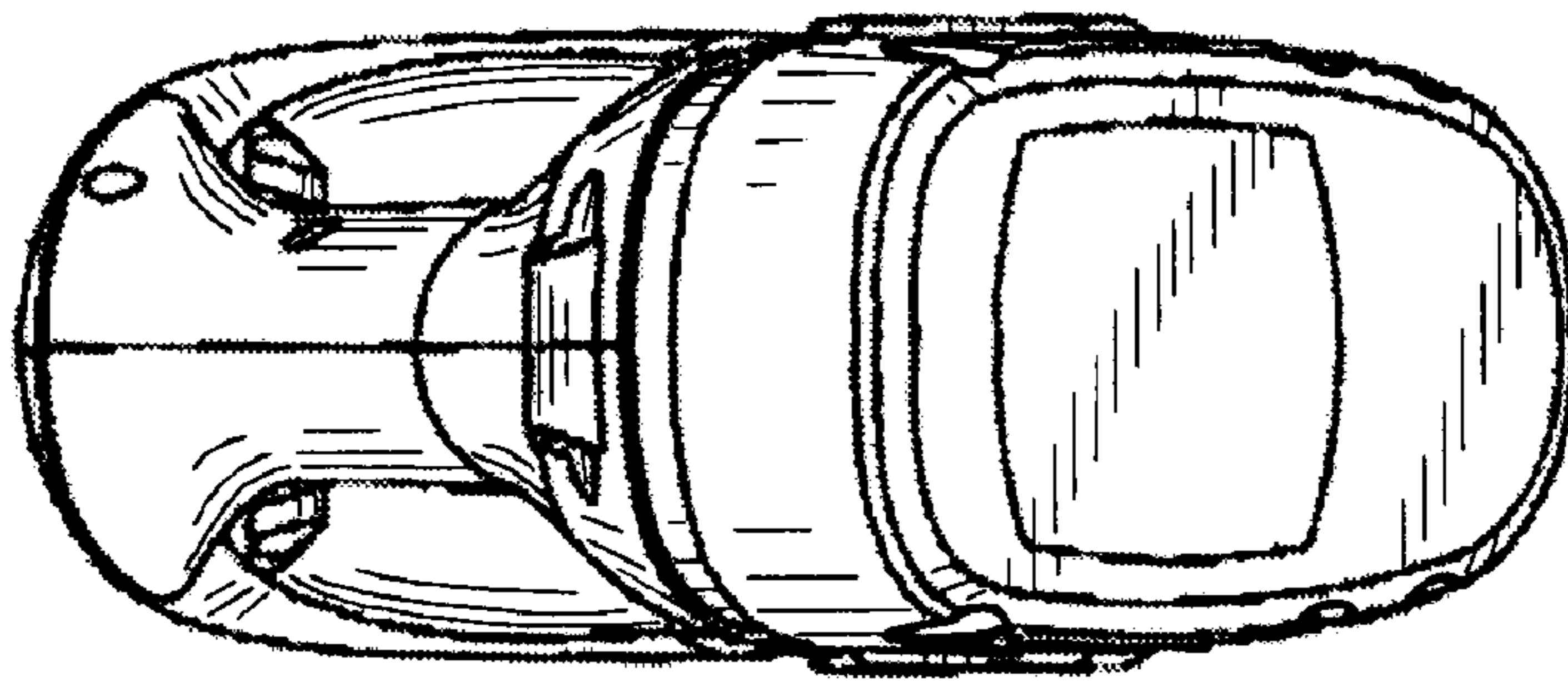


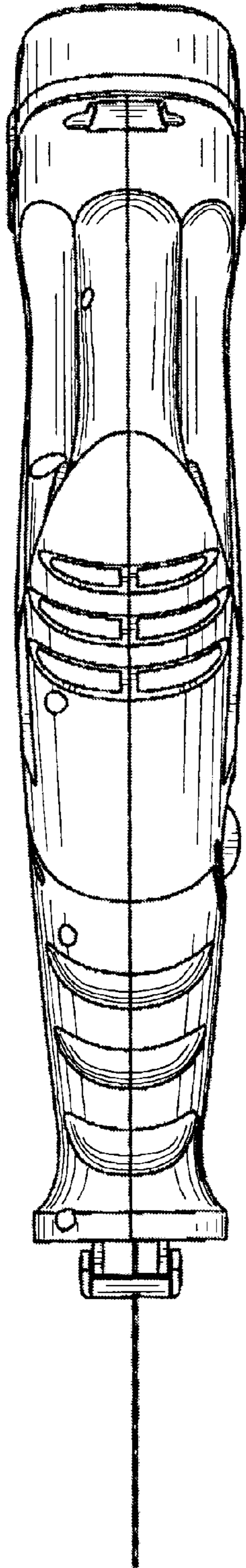
FIG. 3



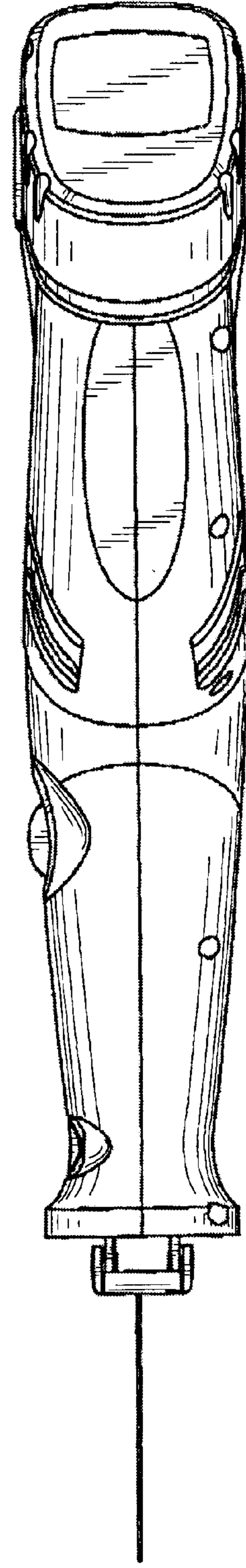
**FIG. 5**



**FIG. 4**



**FIG. 6**



**FIG. 7**