

US00D500643S

(12) **United States Design Patent**  
**Bodum**

(10) **Patent No.:** **US D500,643 S**  
(45) **Date of Patent:** **\*\* Jan. 11, 2005**

(54) **CHEESE CUTTER WITH A DOME**

(75) Inventor: **Jørgen Bodum**, St. Niklausen (CH)

(73) Assignee: **PI-Design AG**, Triengen (CH)

(\*\*) Term: **14 Years**

(21) Appl. No.: **29/175,775**

(22) Filed: **Feb. 11, 2003**

(30) **Foreign Application Priority Data**

Aug. 28, 2002 (TW) ..... 091304751

(51) **LOC (7) Cl.** ..... **07-04**

(52) **U.S. Cl.** ..... **D7/672**

(58) **Field of Search** ..... D7/672, 502, 505,  
D7/538, 540, 542, 610, 698; 83/762, 468.2,  
167, 574, 527, 608, 648, 701, 870; 220/574;  
312/283, 284

(56) **References Cited**

**U.S. PATENT DOCUMENTS**

183,283 A *	10/1876	Cate	312/284
2,822,845 A *	2/1958	Wiley	83/574
3,780,436 A *	12/1973	Pellman	83/607
4,600,253 A *	7/1986	Pongsengsook	312/284
D288,767 S *	3/1987	Minuti	D7/542
4,811,642 A *	3/1989	Sorbie	83/574
D438,759 S *	3/2001	Adams	D7/542

\* cited by examiner

*Primary Examiner*—Terry A. Wallace  
(74) *Attorney, Agent, or Firm*—Nath and Associates PLLC;  
Marvin C. Berkowitz; Derek Richmond

(57) **CLAIM**

The ornamental design for a cheese cutter with a dome, as shown and described.

**DESCRIPTION**

FIG. 1 is a perspective view of the cheese cutter with a dome showing my new design;

FIG. 2 is a right side view thereof;

FIG. 3 is a left side view thereof;

FIG. 4 is a front view thereof;

FIG. 5 is a rear view thereof;

FIG. 6 is a top plan view thereof;

FIG. 7 is a bottom plan view thereof;

FIG. 8 is an exploded view thereof;

FIG. 9 is a perspective view of an alternate embodiment of FIG. 1, the dome being transparent;

FIG. 10 is a front view of FIG. 9;

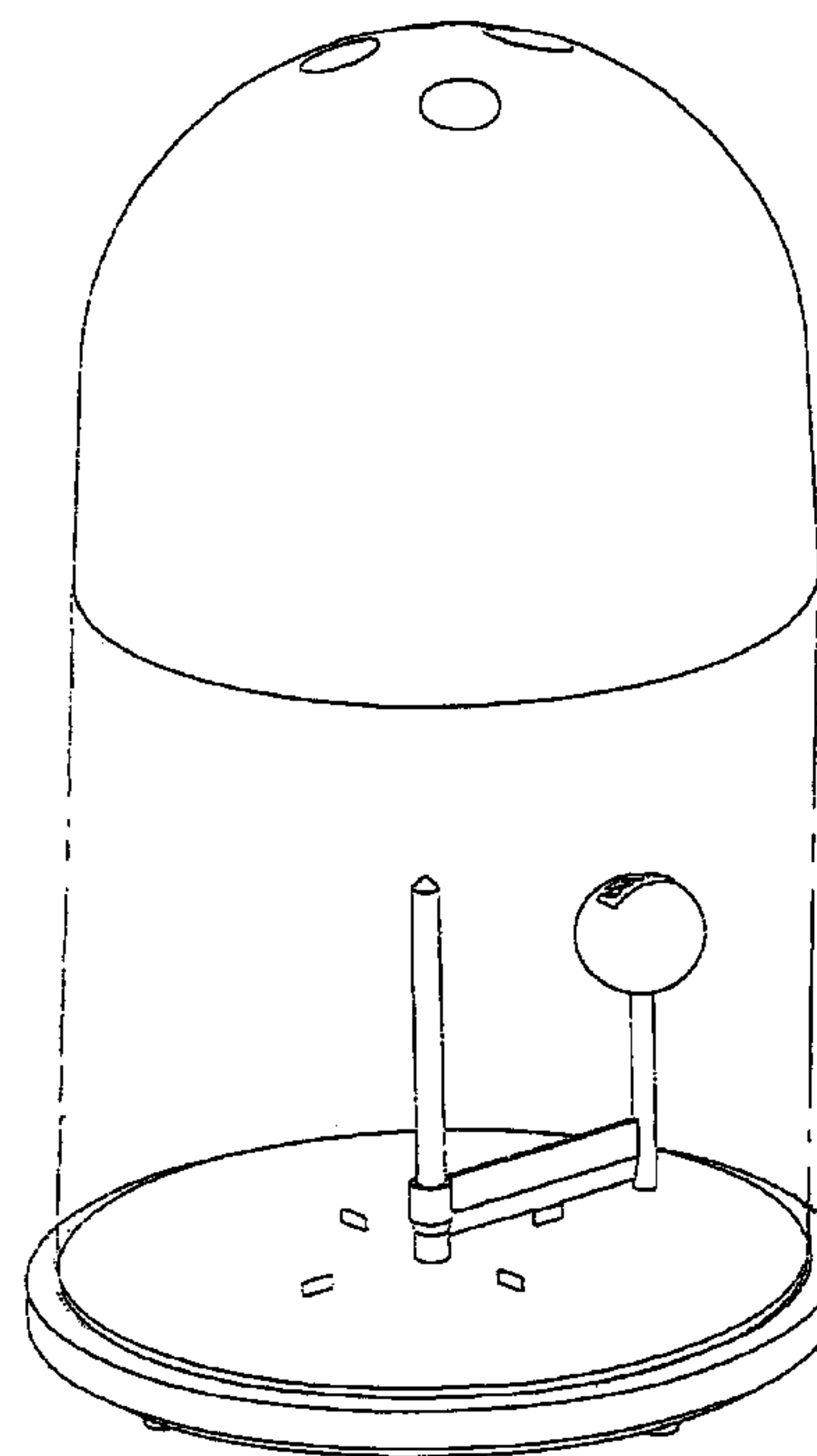
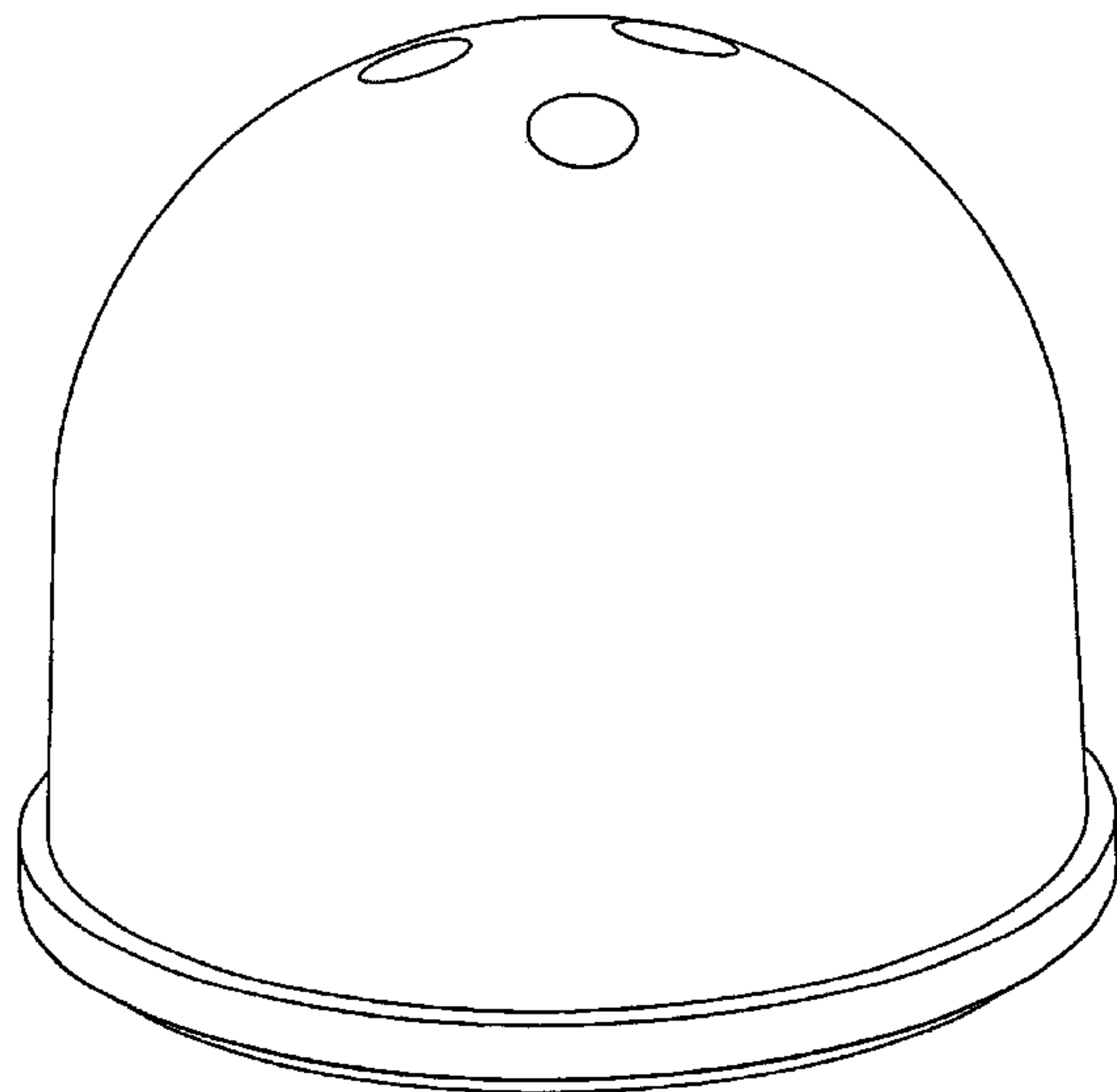
FIG. 11 is a rear view of FIG. 9;

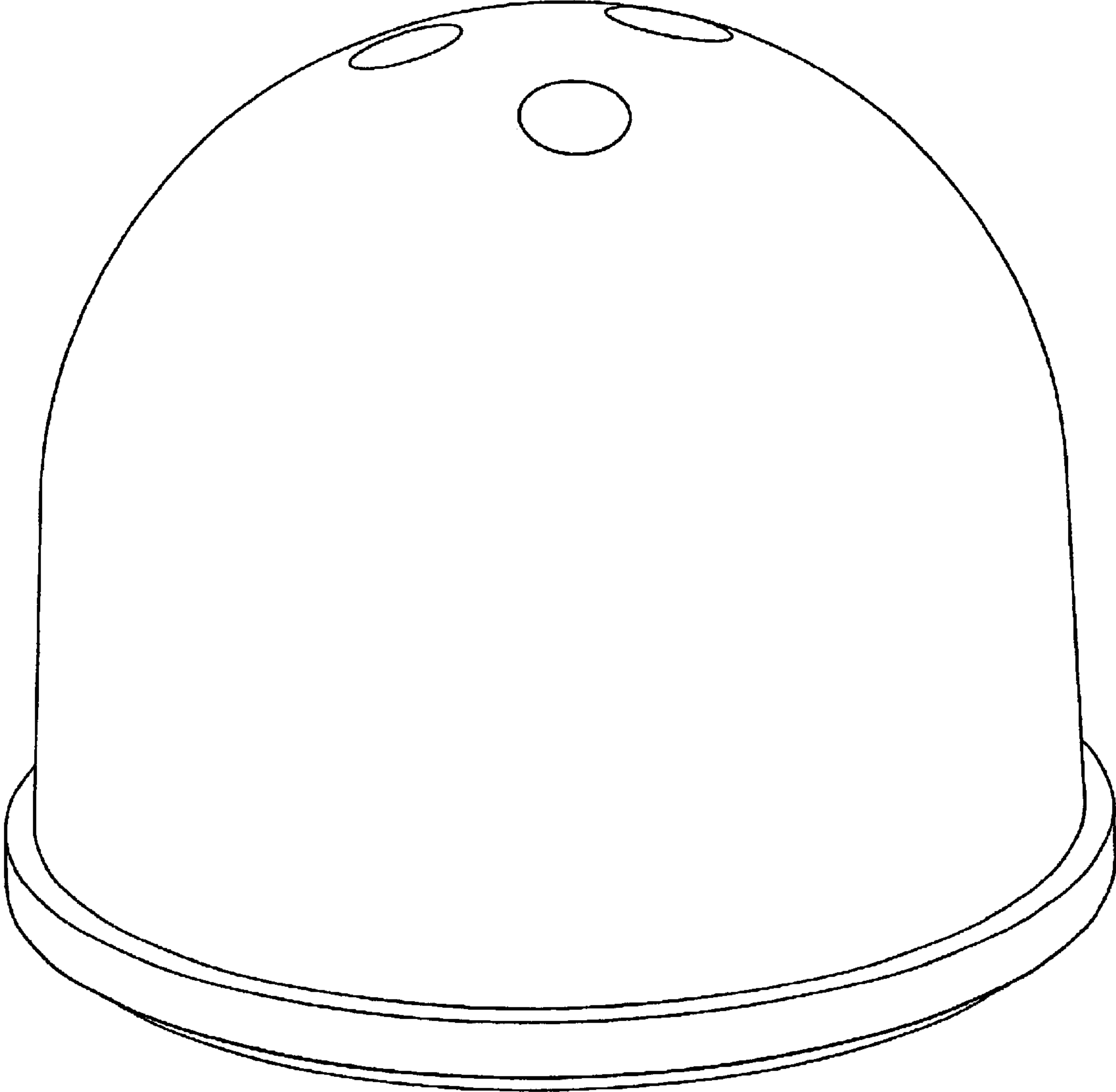
FIG. 12 is a right side view of FIG. 9;

FIG. 13 is a left side view of FIG. 9; and,

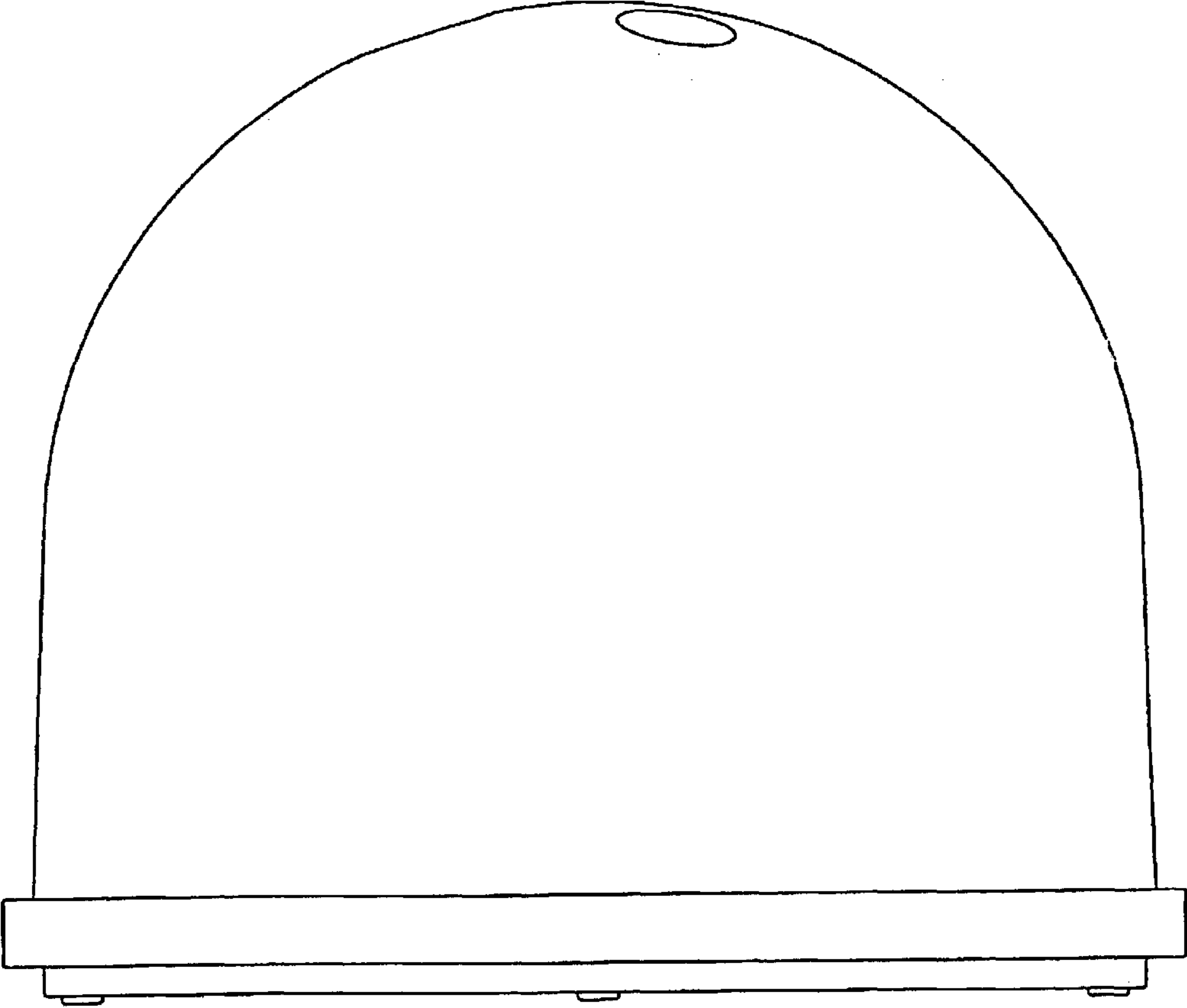
FIG. 14 is a top plan view of FIG. 9.

**1 Claim, 14 Drawing Sheets**

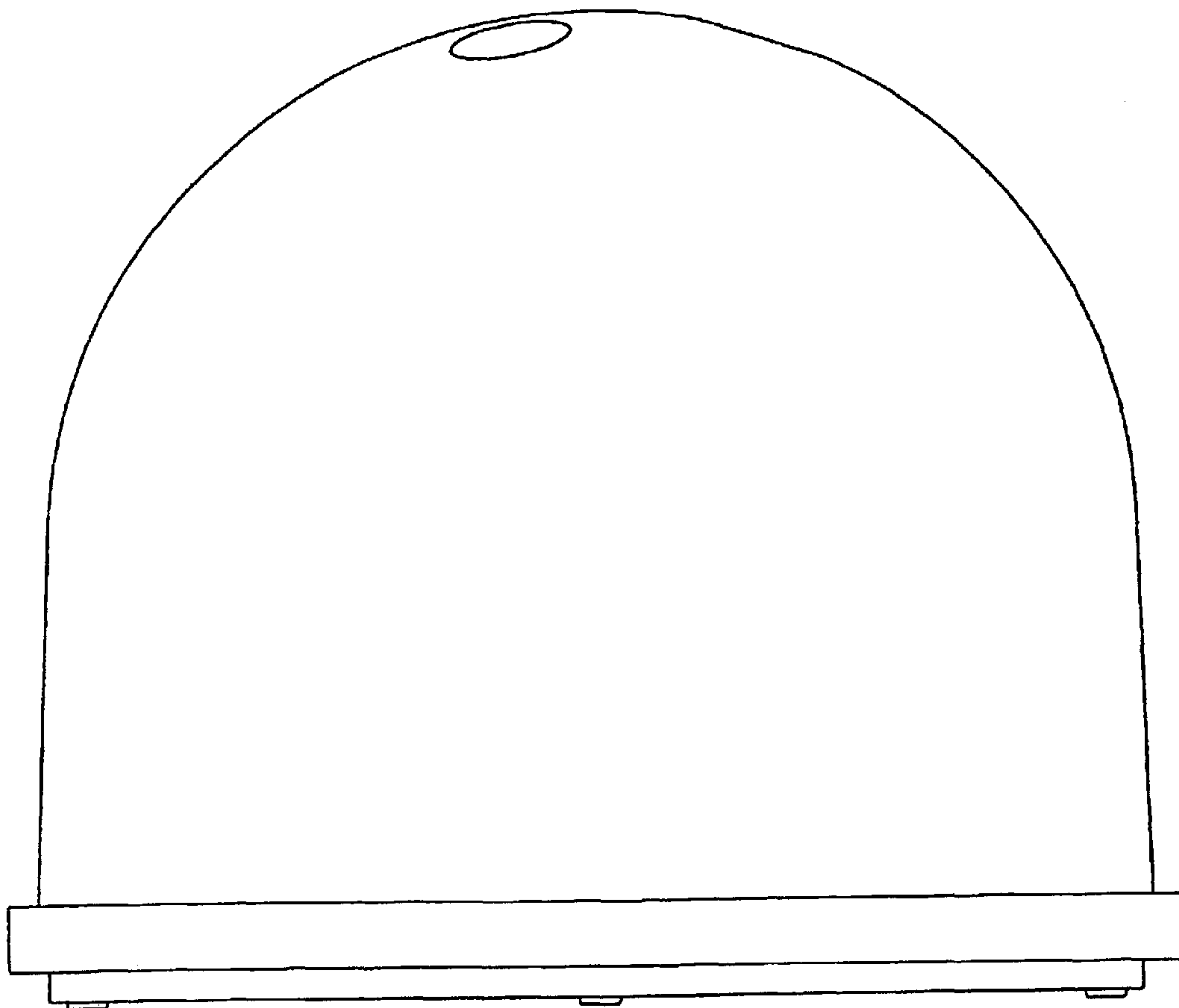




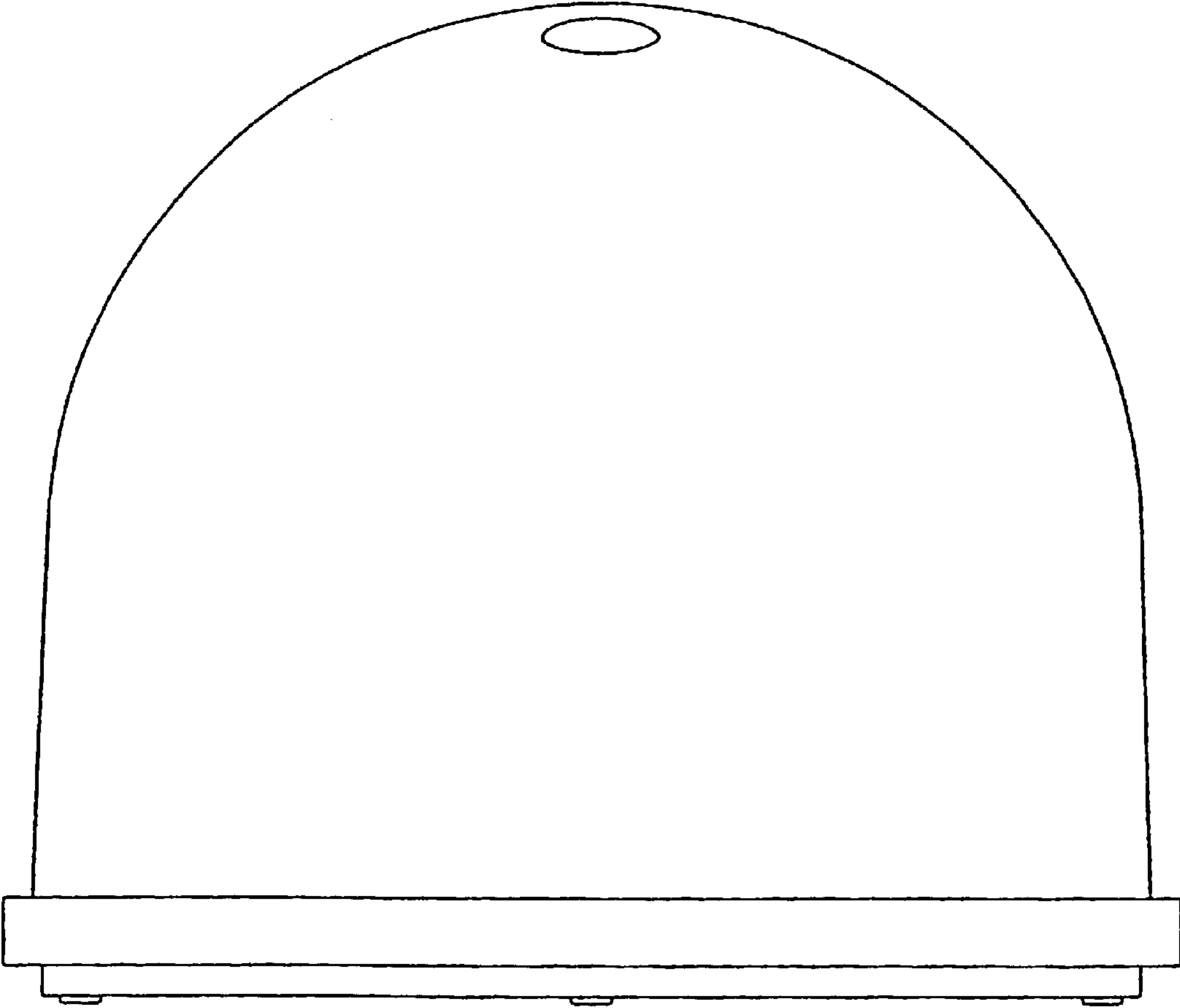
**Fig. 1**



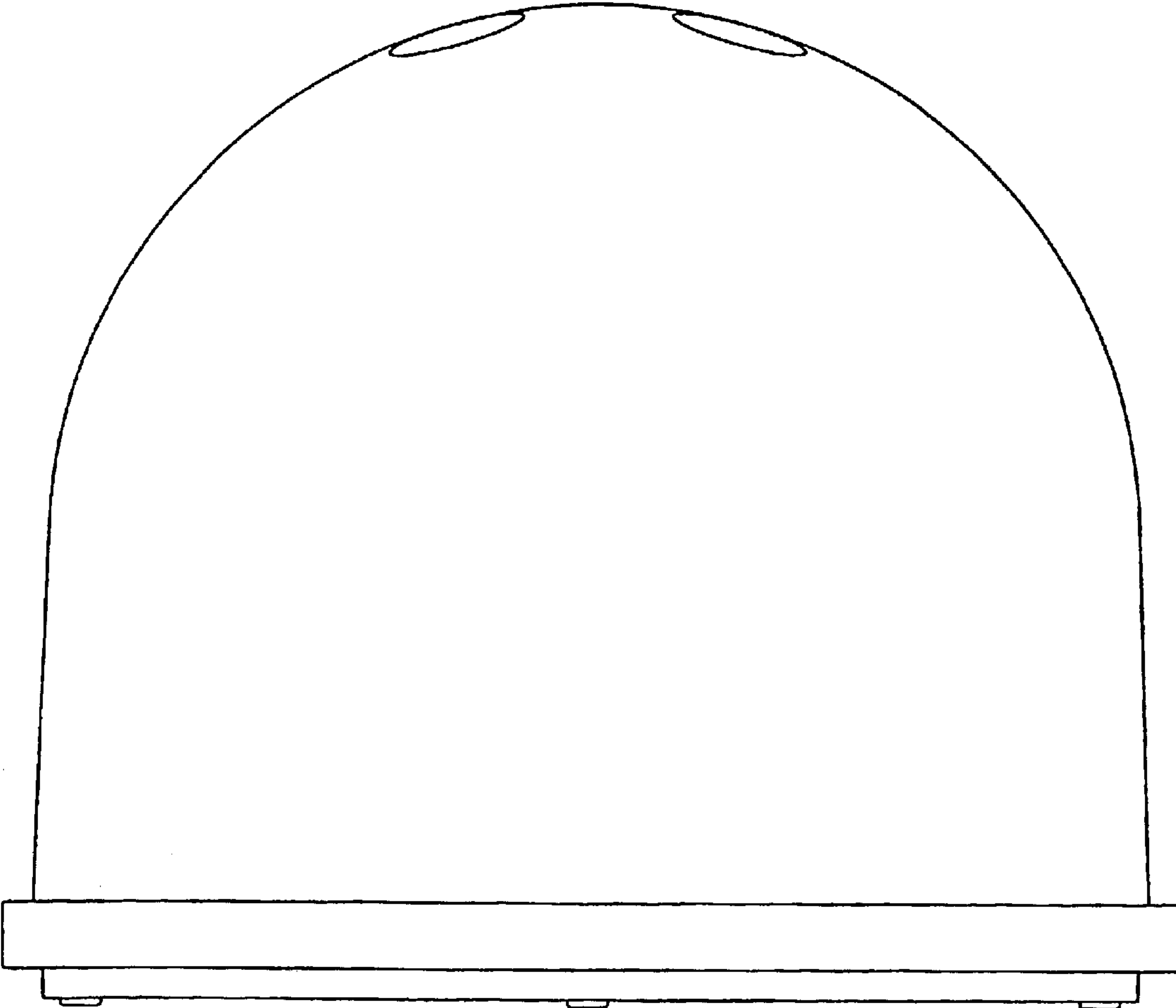
**Fig. 2**



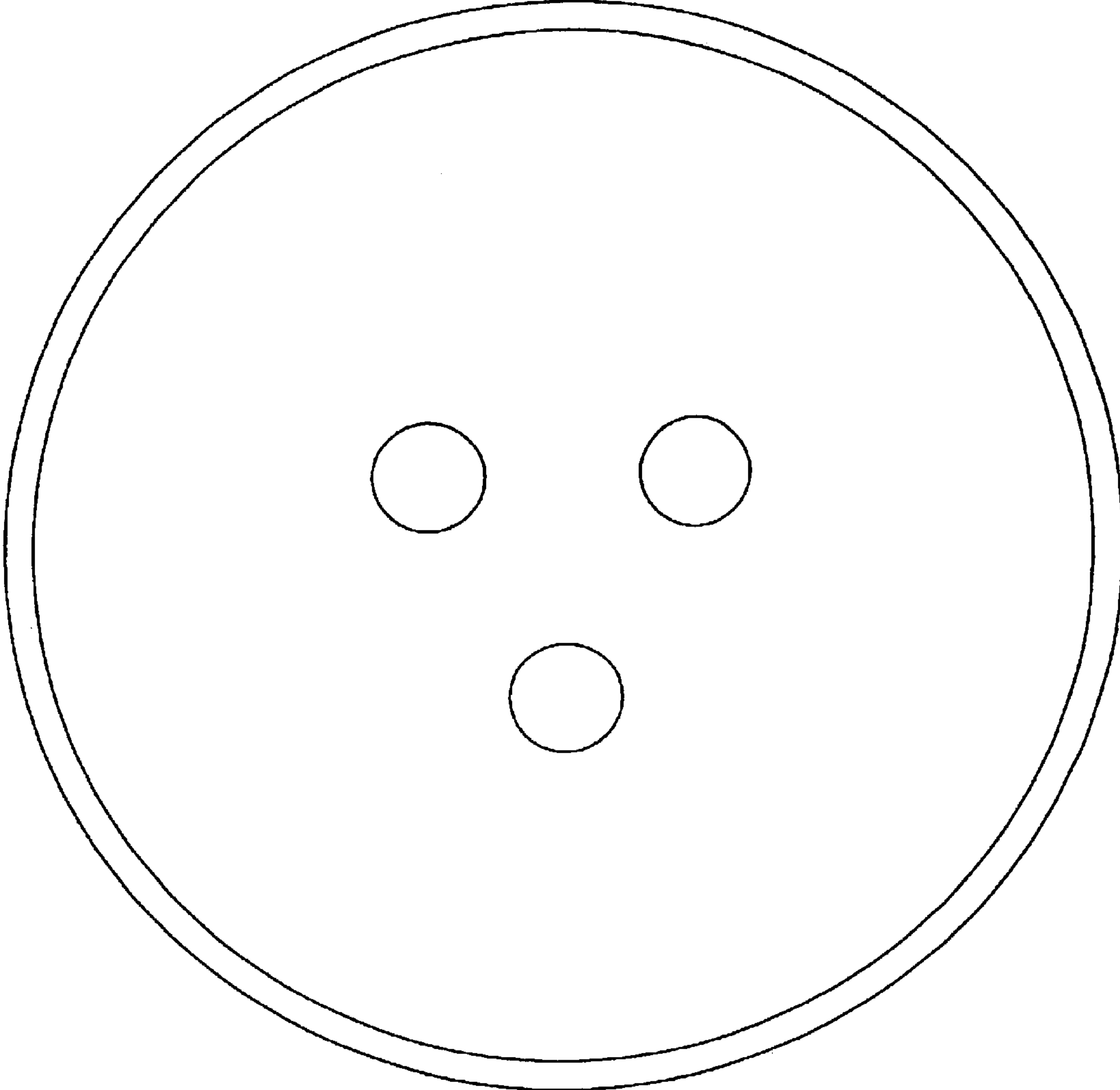
**Fig. 3**



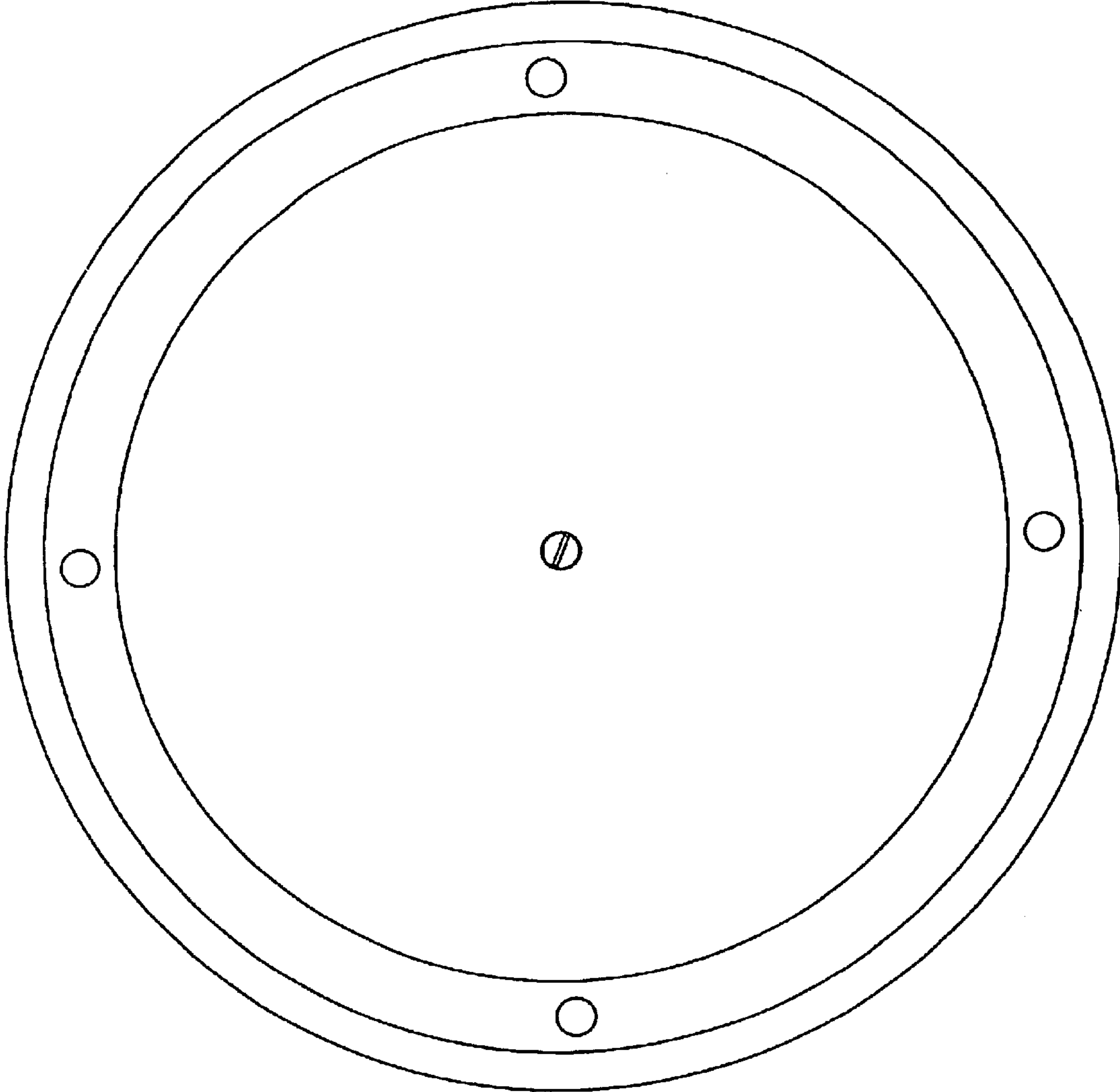
**Fig. 4**



**Fig. 5**



**Fig. 6**



**Fig. 7**



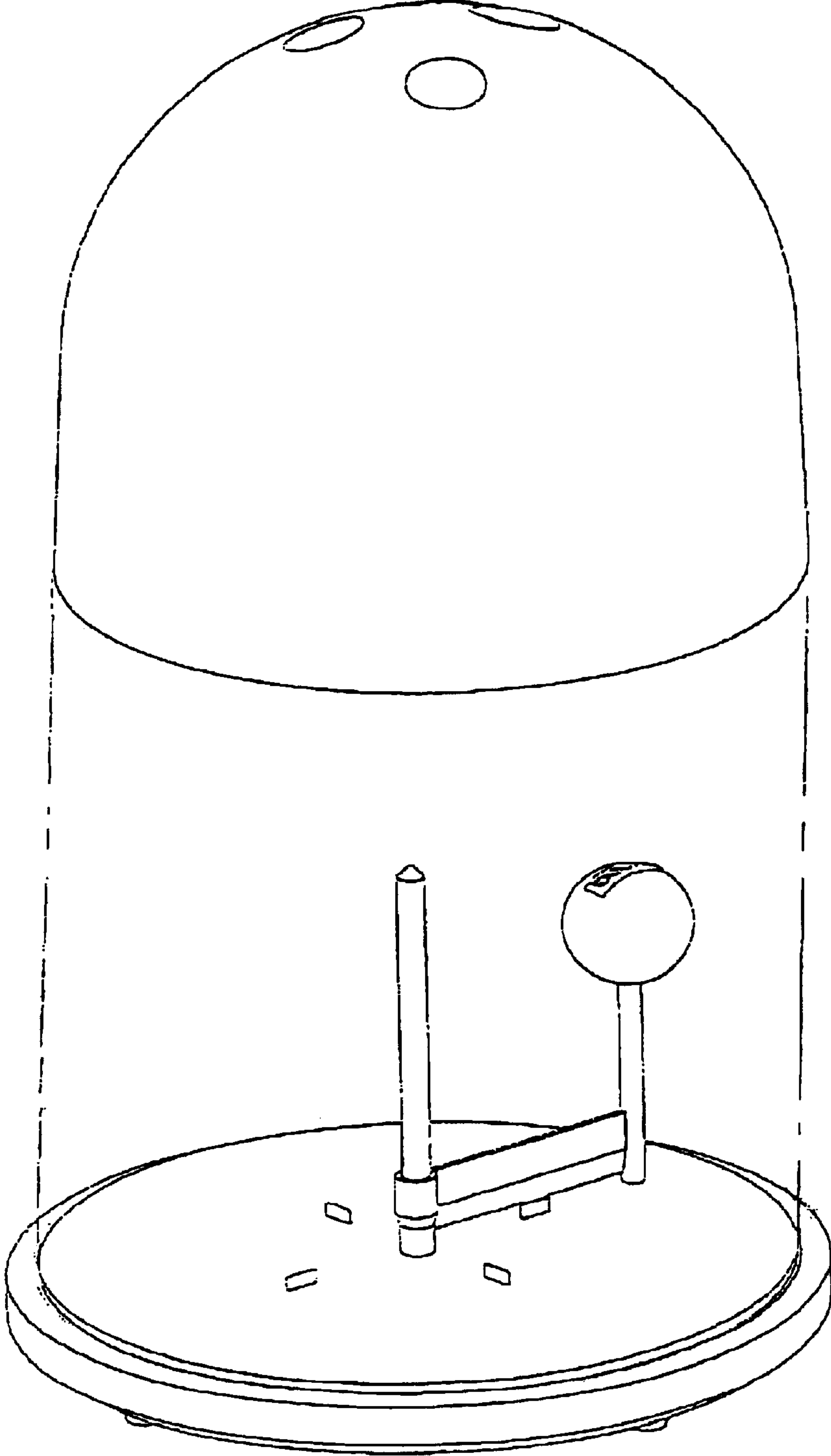


Fig. 8

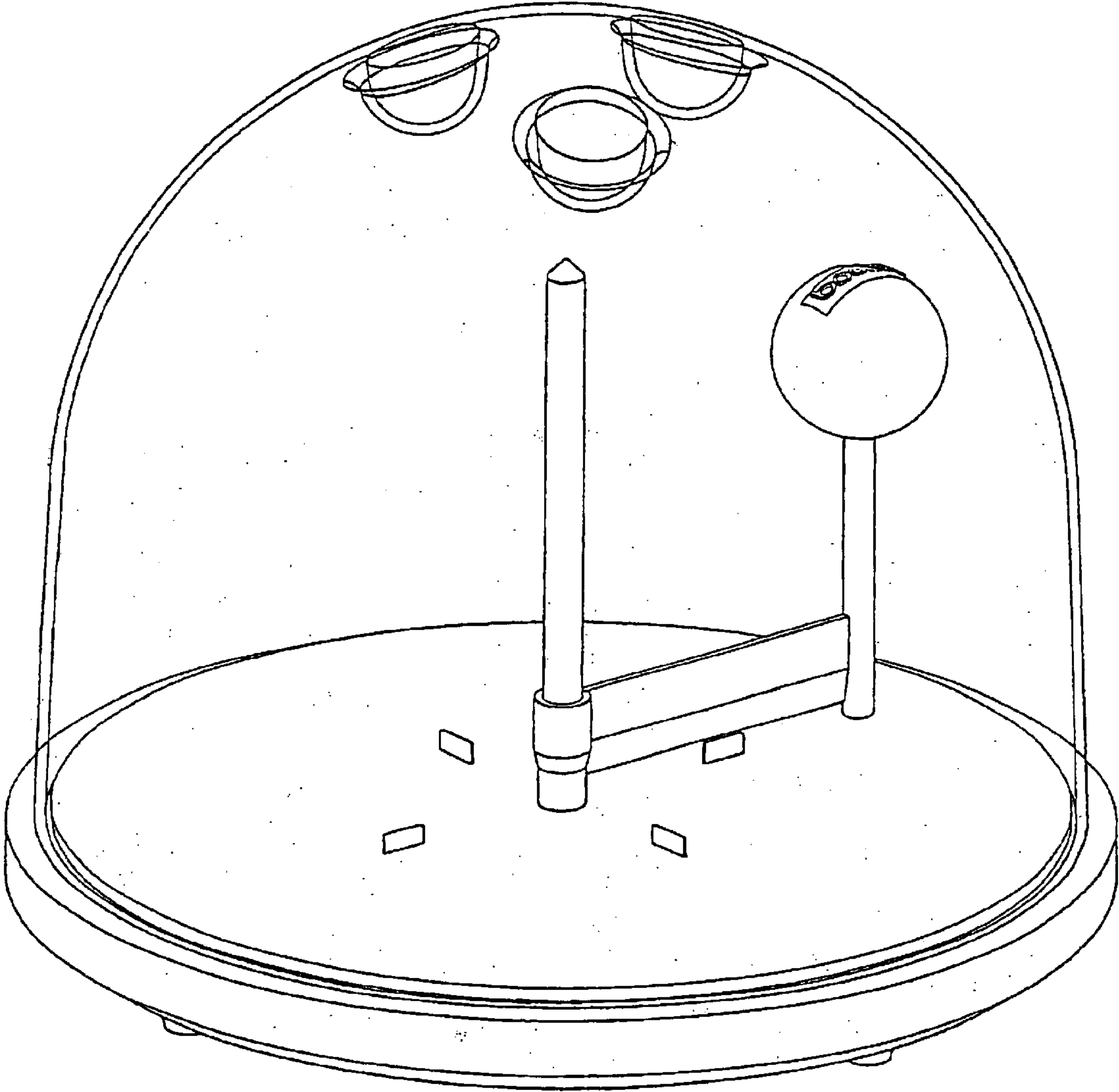
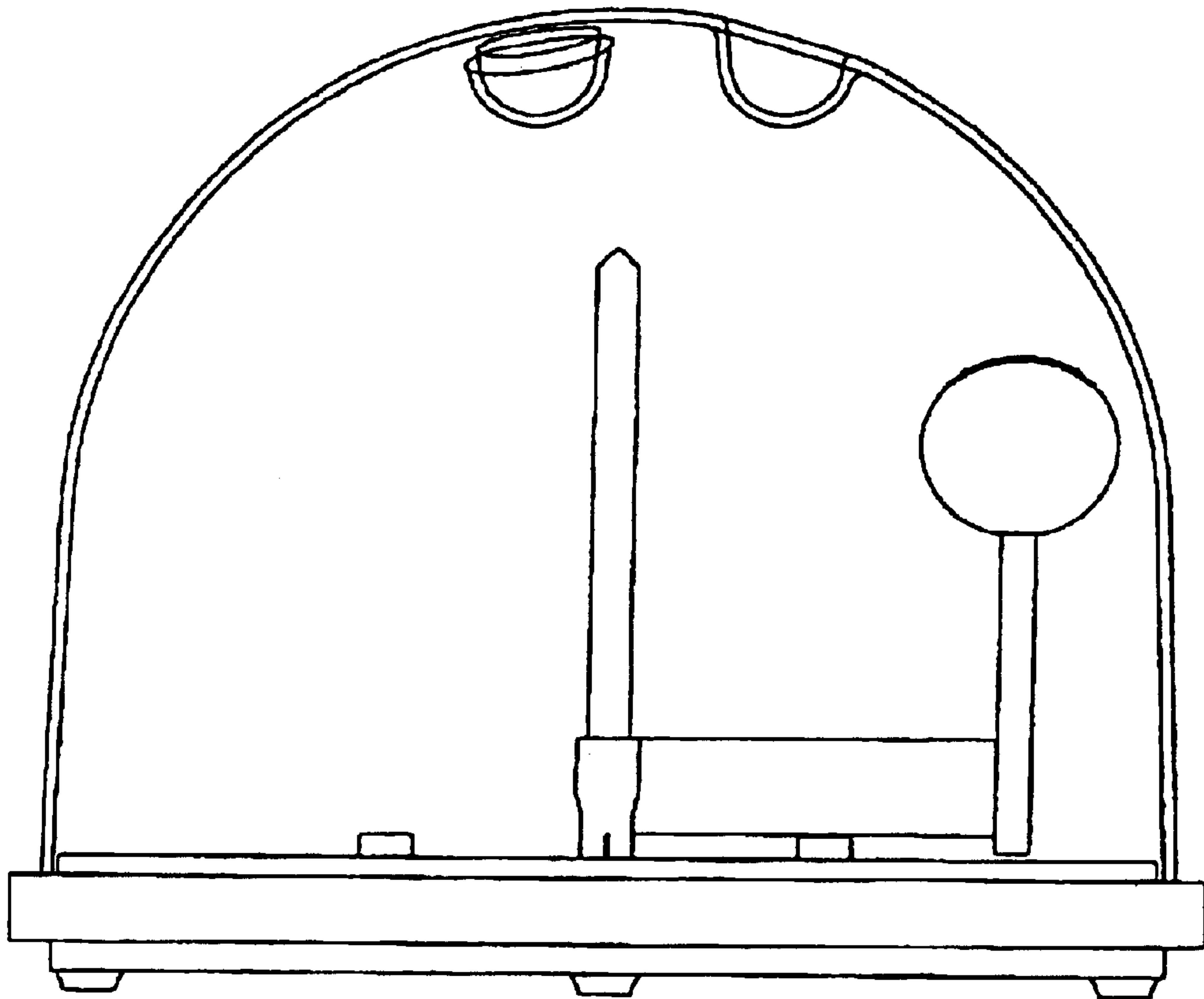
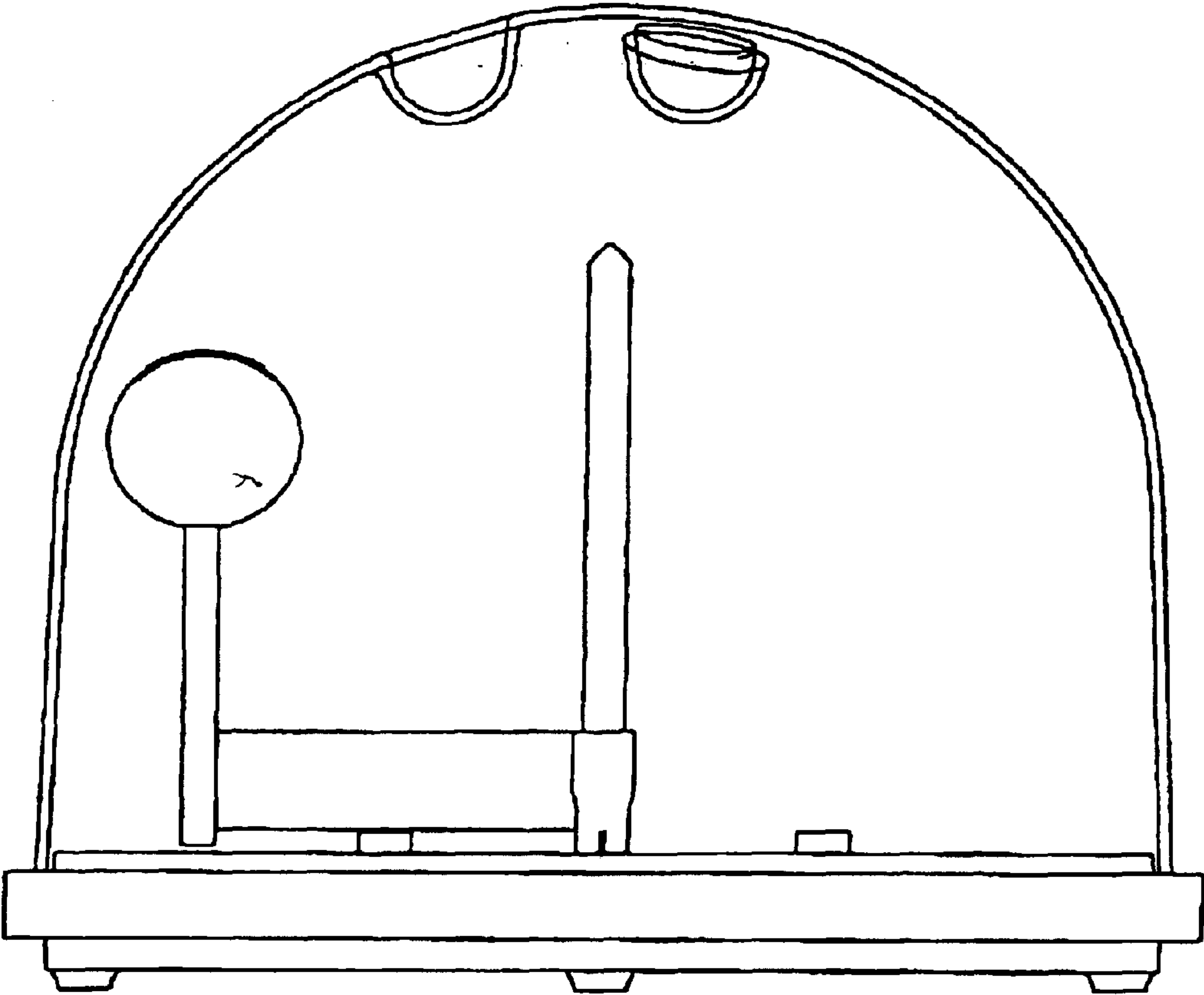


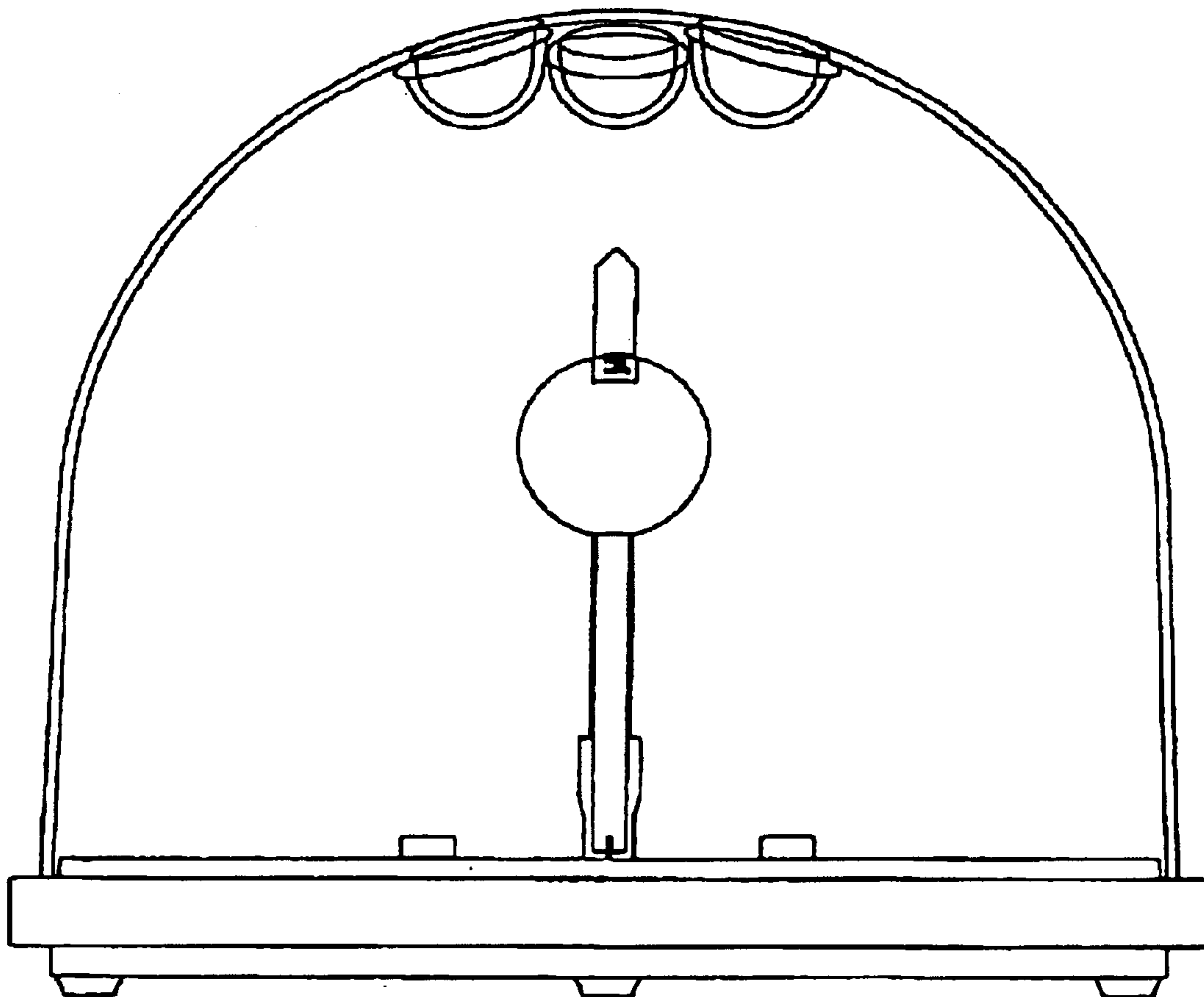
Fig. 9



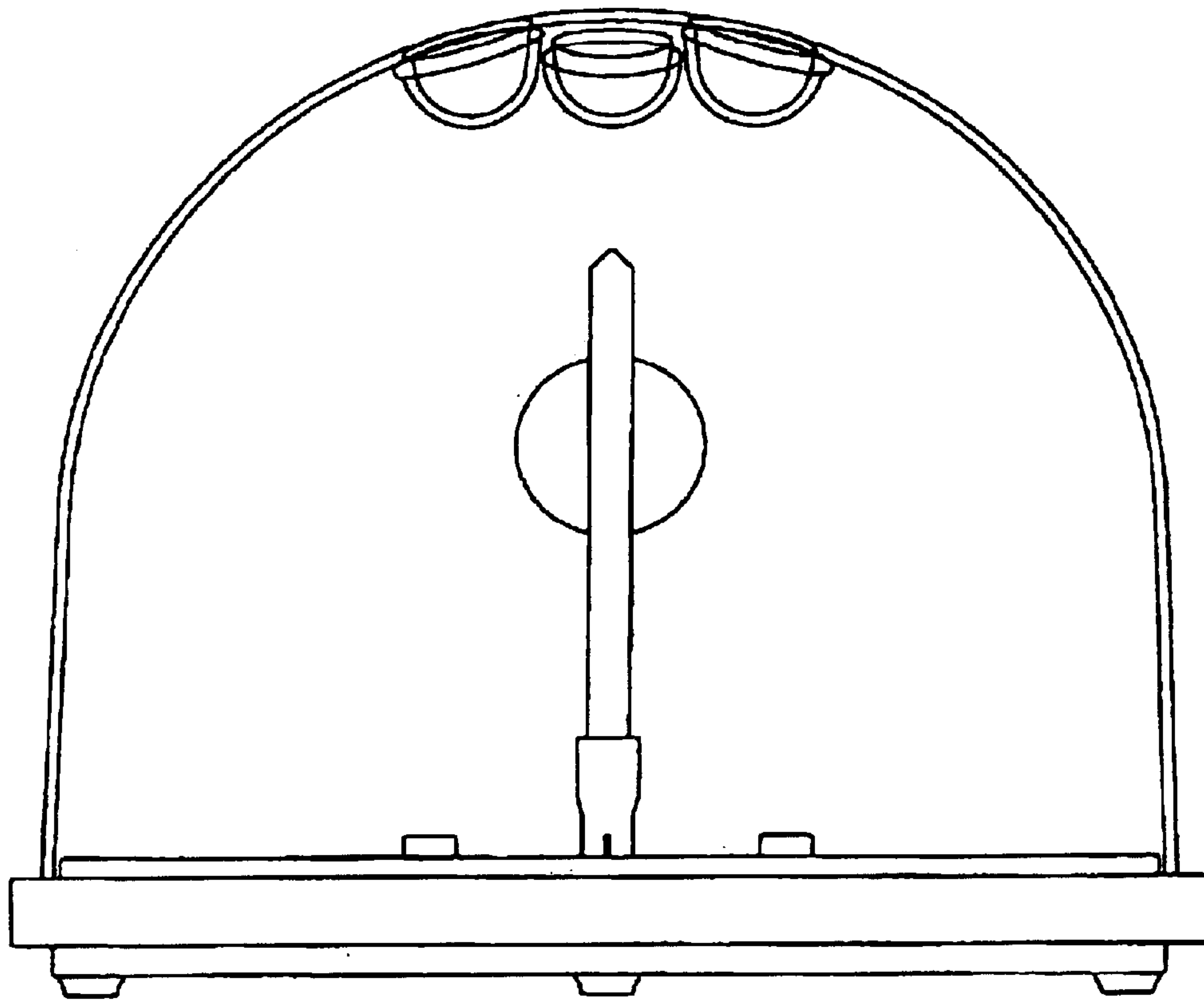
**Fig. 10**



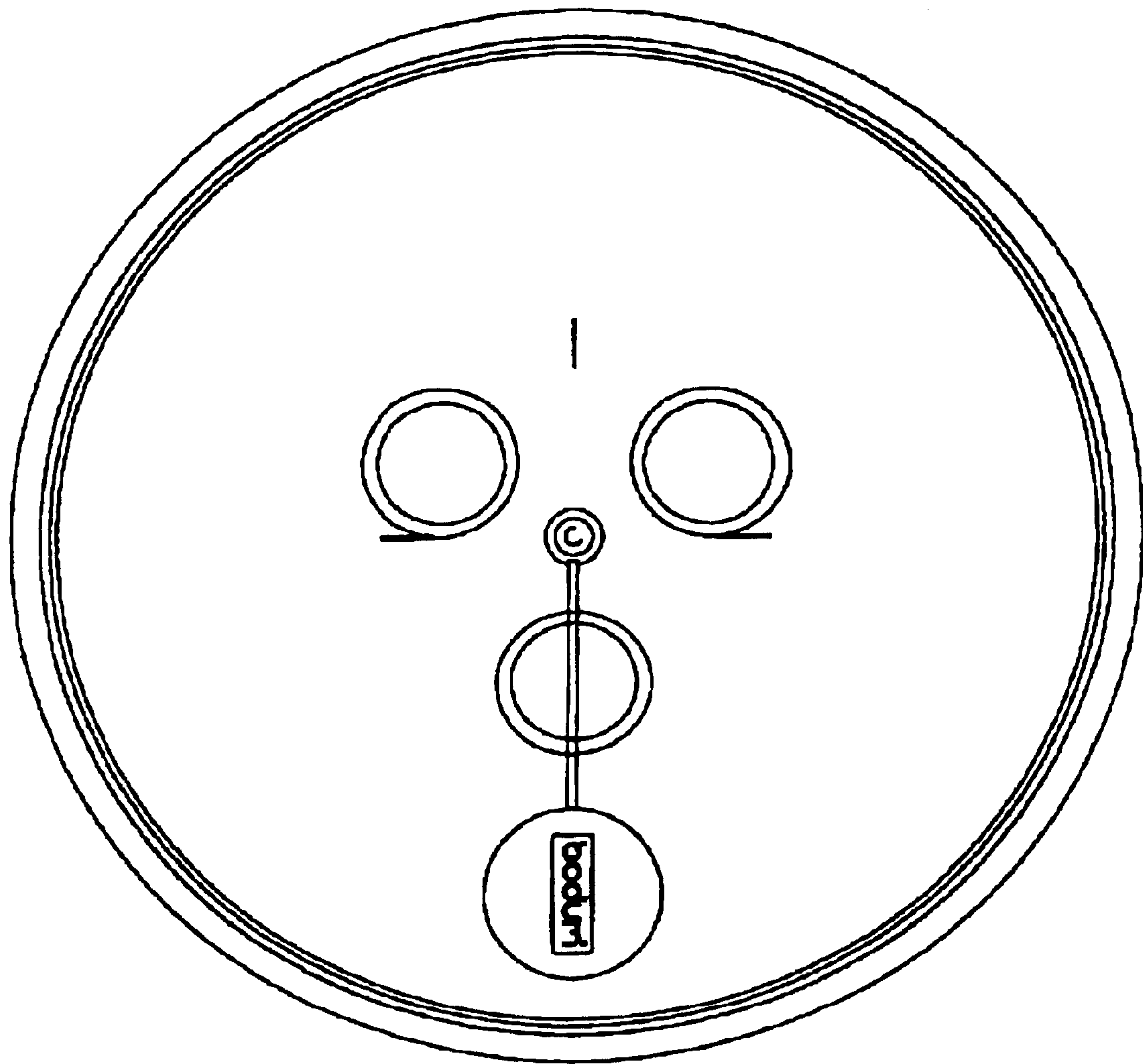
**Fig. 11**



**Fig. 12**



**Fig. 13**



**Fig. 14**