

US00D500639S

(12) **United States Design Patent**
Cauchy et al.

(10) **Patent No.:** **US D500,639 S**
(45) **Date of Patent:** **** Jan. 11, 2005**

(54) **THERMOELECTRIC CUP COOLER/HEATER**

6,082,114 A * 7/2000 Leonoff 62/3.64
D463,218 S * 9/2002 Wu et al. D7/605

(75) Inventors: **Charles J. Cauchy**, Traverse City, MI (US); **Paul Miller**, Reed City, MI (US)

* cited by examiner

(73) Assignee: **Tellurex Corporation**, Traverse City, MI (US)

Primary Examiner—Terry A. Wallace
(74) *Attorney, Agent, or Firm*—Flynn, Thiel, Boutell & Tanis, P.C.

(**) Term: **14 Years**

(57) **CLAIM**

(21) Appl. No.: **29/190,868**

The ornamental design for a thermoelectric cup cooler/heater, as shown and described.

(22) Filed: **Sep. 26, 2003**

DESCRIPTION

(51) **LOC (7) Cl.** **07-01**

FIG. 1 is a perspective view of a thermoelectric cup cooler/heater illustrating our new design;
FIG. 2 is a front elevational view thereof;
FIG. 3 is a rear elevational view thereof;
FIG. 4 is a left side elevational view thereof;
FIG. 5 is a right side elevational view thereof;
FIG. 6 is a bottom plan view thereof; and,
FIG. 7 is a top plan view thereof.

(52) **U.S. Cl.** **D7/608**

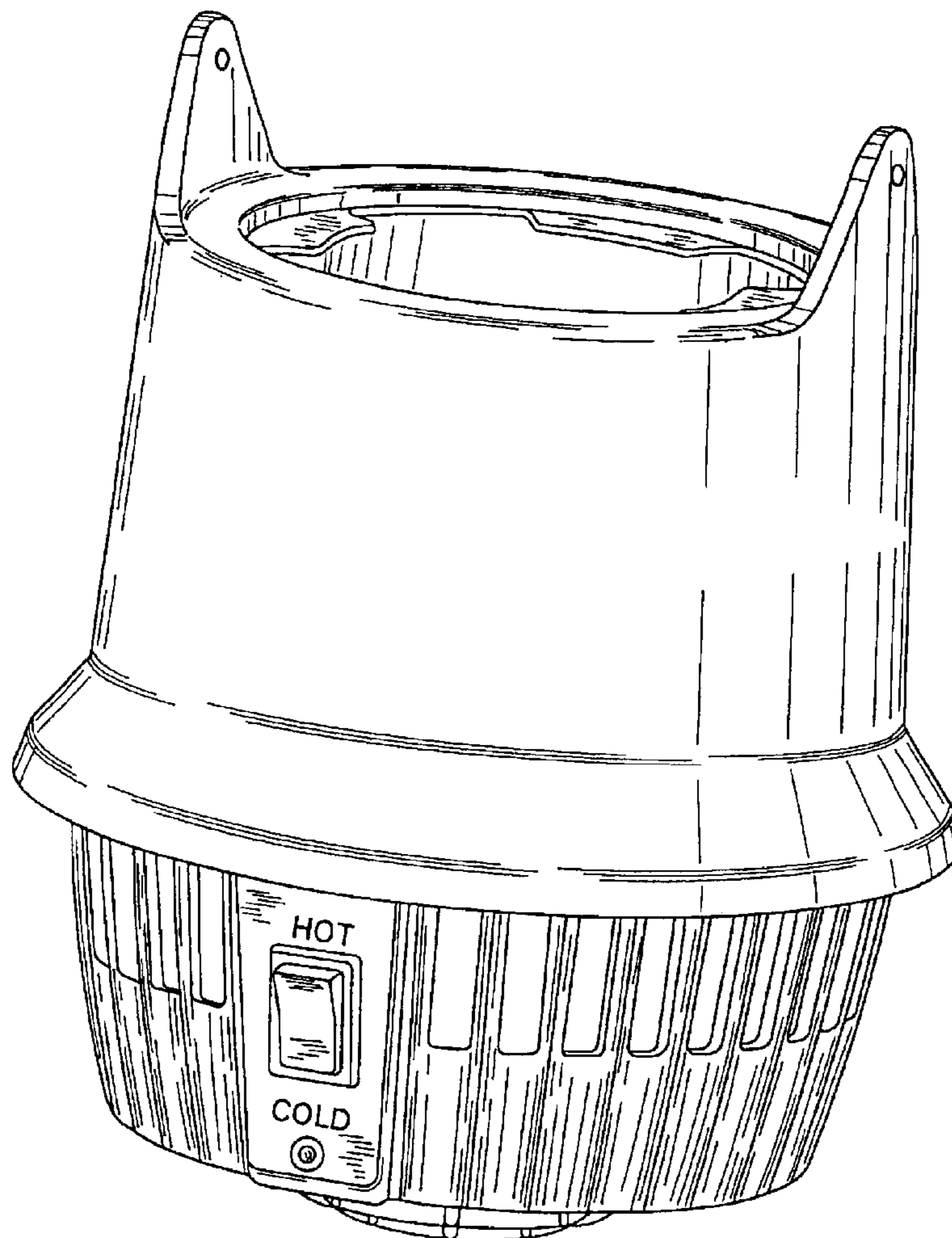
(58) **Field of Search** D7/605–608; 62/371, 62/372, 3.62, 3.64, 457.1–457.9; 220/737, 739

(56) **References Cited**

U.S. PATENT DOCUMENTS

5,060,479 A * 10/1991 Carmi et al. 62/3.62

1 Claim, 6 Drawing Sheets



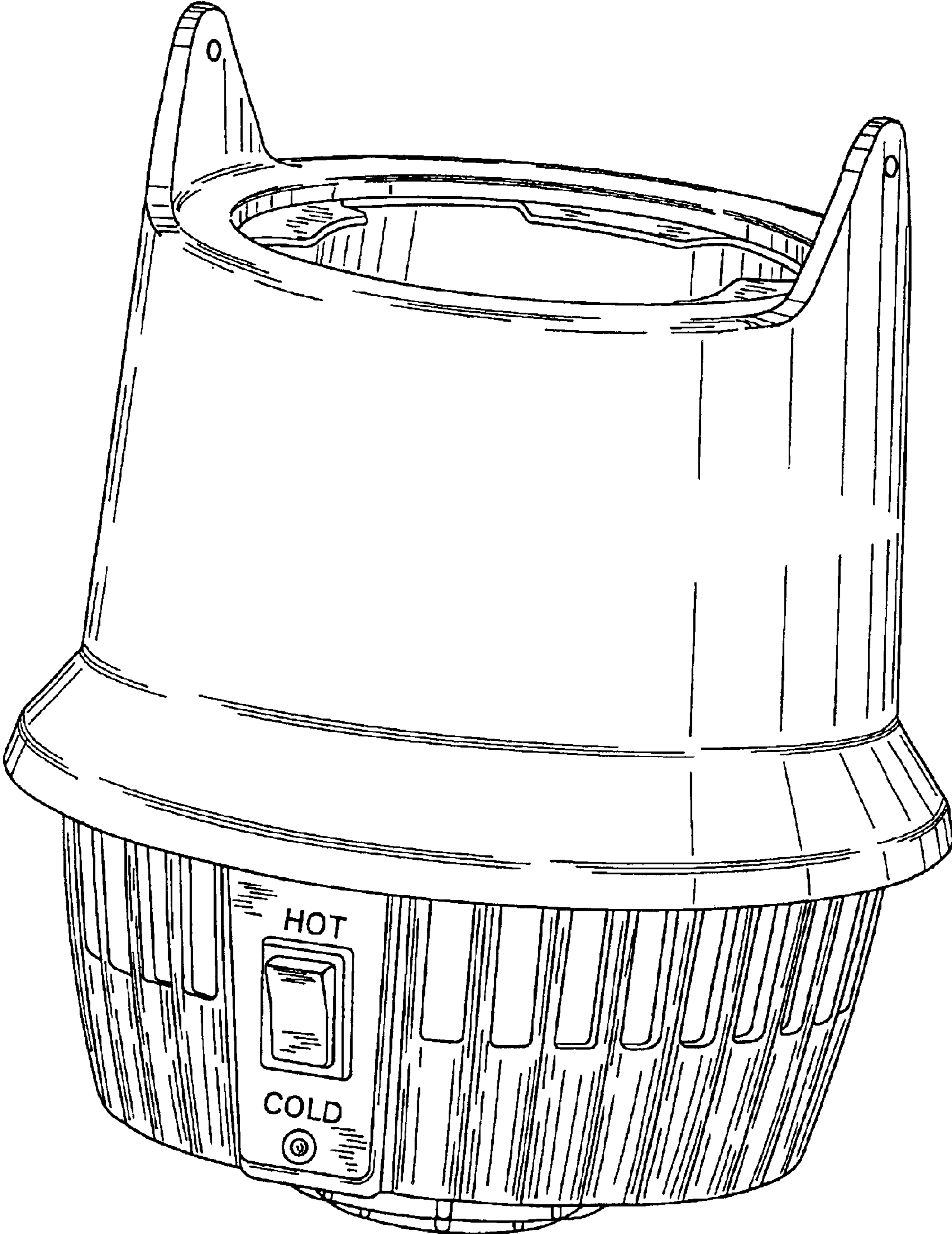


FIG. 1

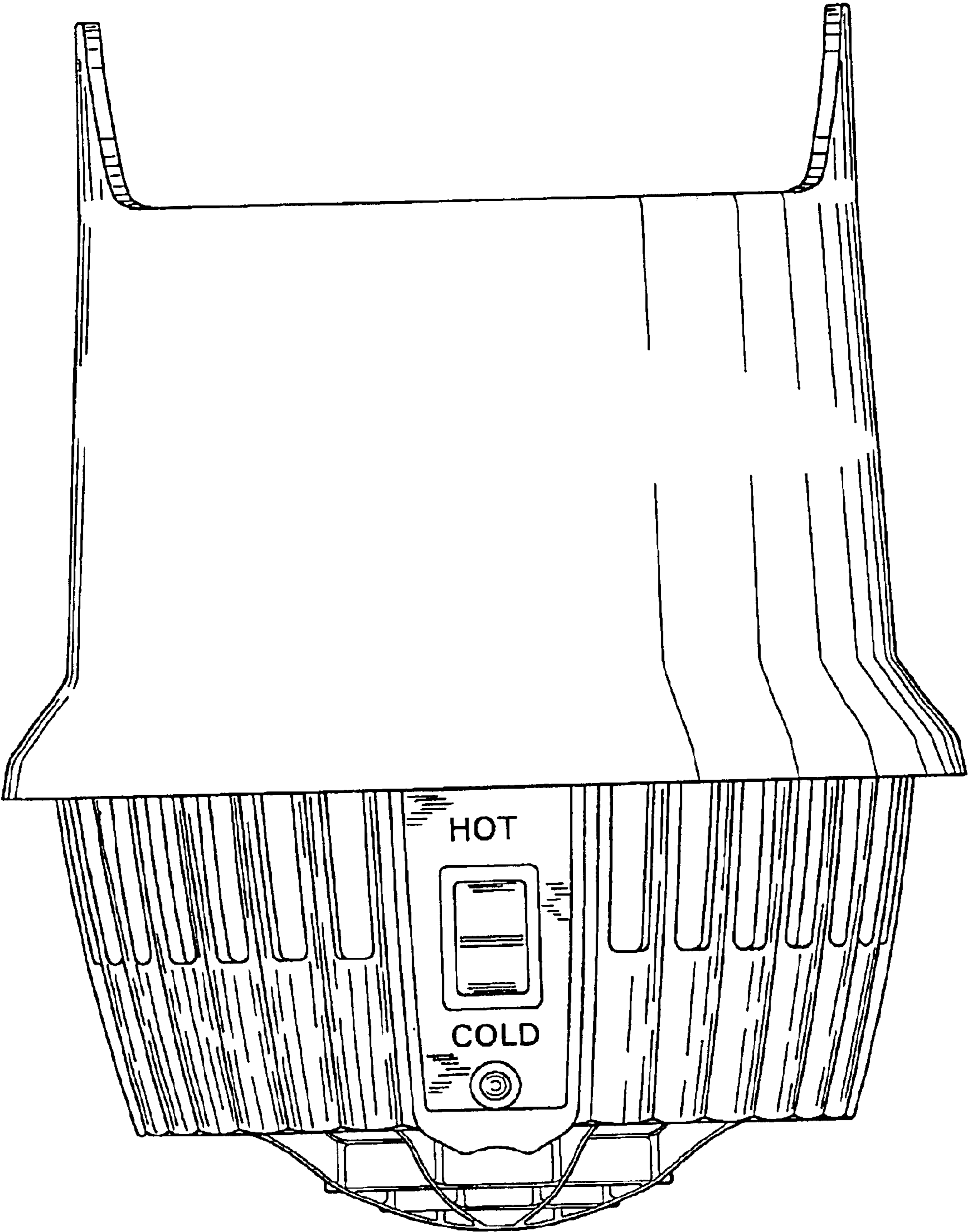


FIG. 2

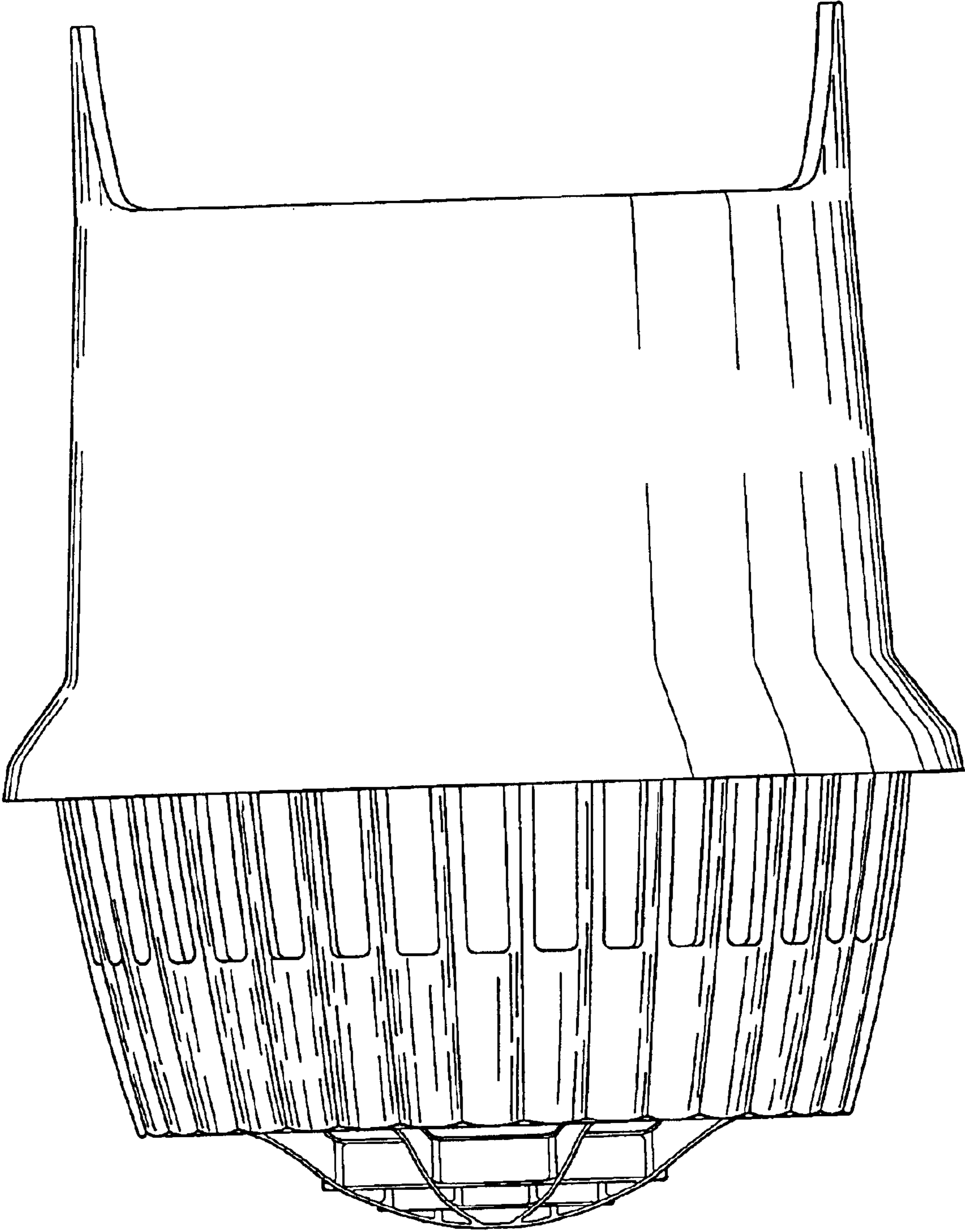


FIG. 3

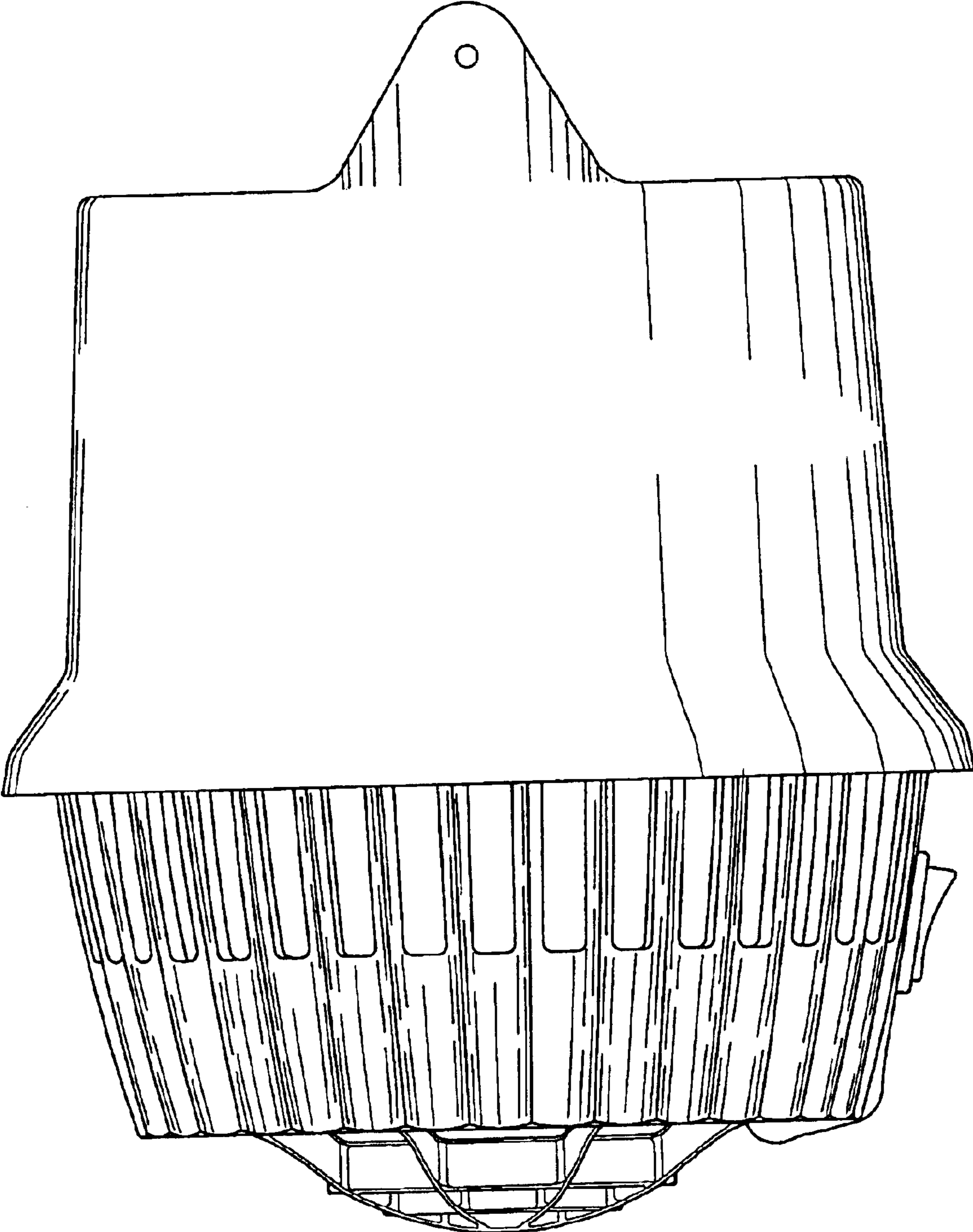


FIG. 4

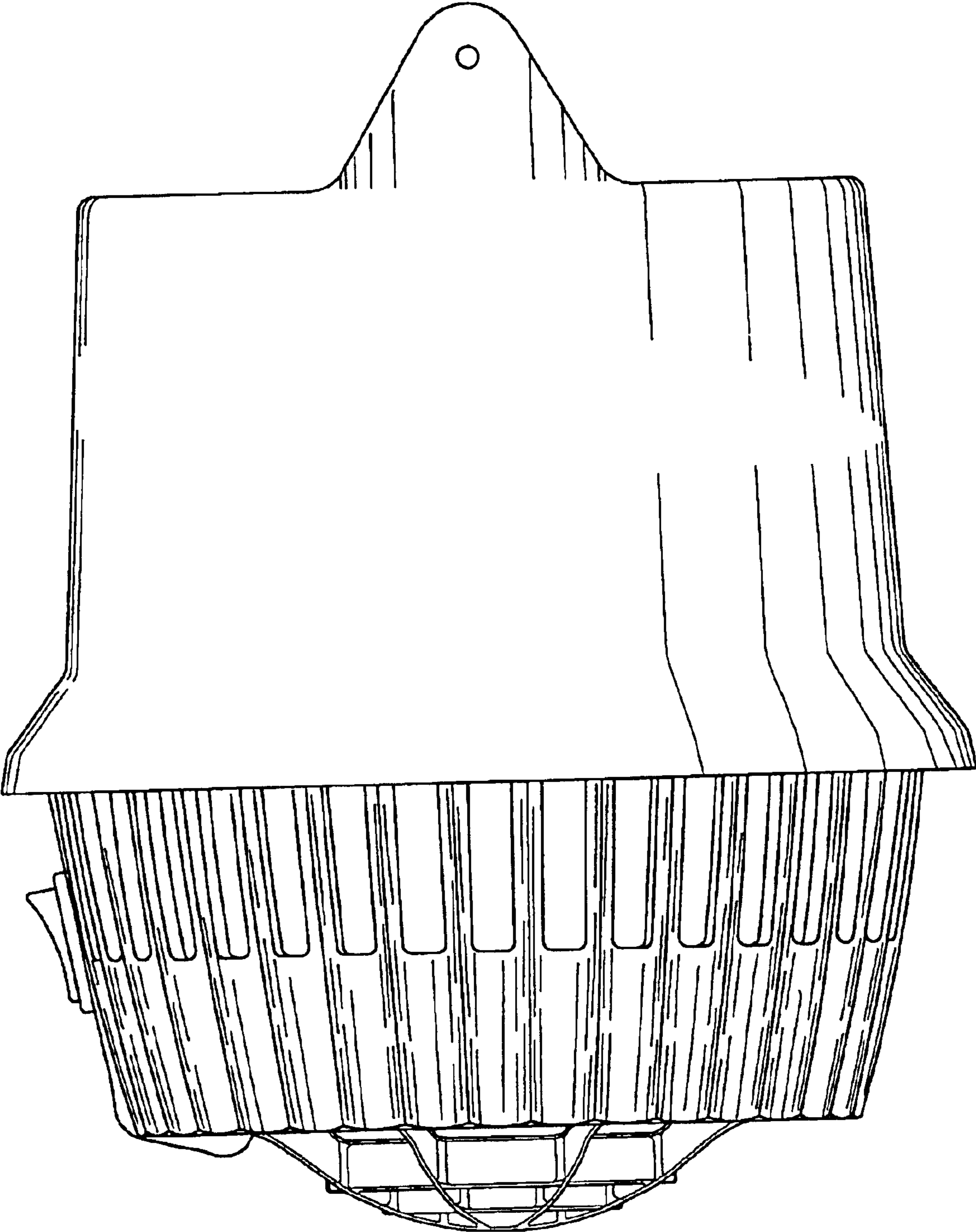


FIG. 5

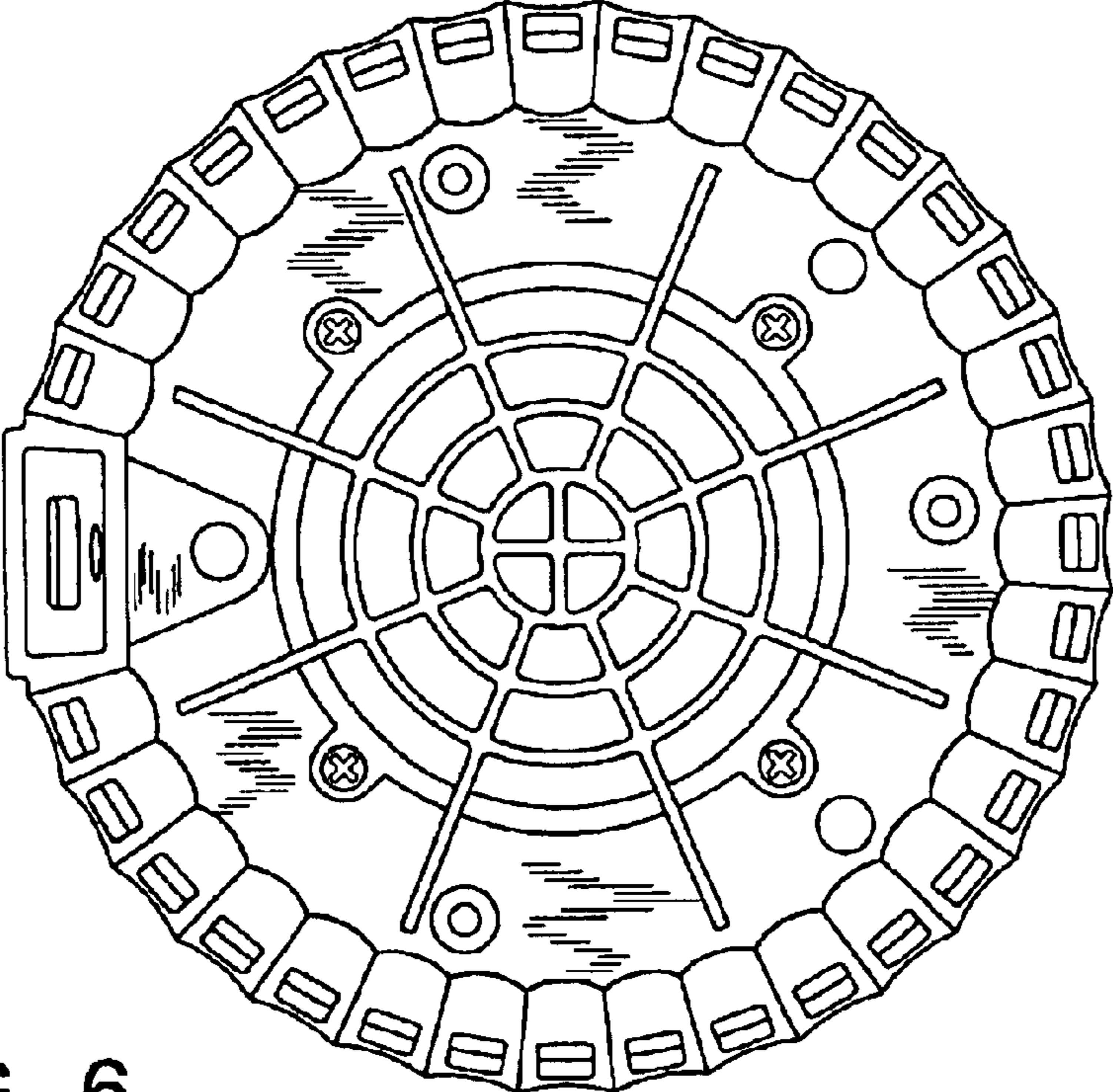


FIG. 6

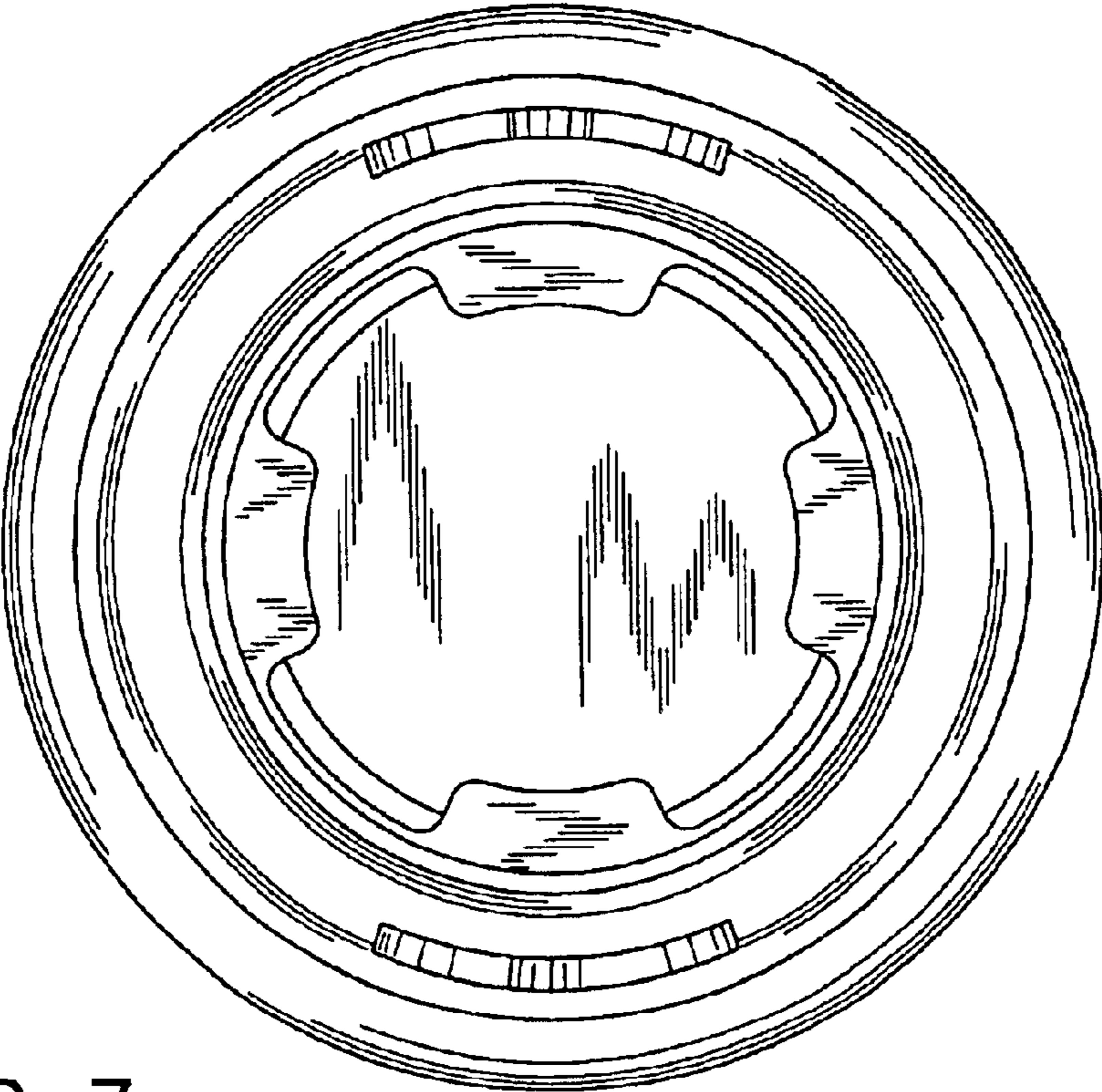


FIG. 7