

US00D500637S

(12) **United States Design Patent**  
**Shmelzer**

(10) **Patent No.:** **US D500,637 S**  
(45) **Date of Patent:** **\*\* Jan. 11, 2005**

(54) **RECEPTACLE FOR HOLDING VARIOUS TABLE ITEMS AND FOOD COMBINED WITH A DEVICE TO SUMMON A WAITER AND PROVIDING A CONCURRENT ILLUMINATED ADVERTISING DISPLAY**

*Primary Examiner*—Terry A. Wallace  
(74) *Attorney, Agent, or Firm*—Thomas I. Rozsa; Tony D. Chen

(76) **Inventor:** **Yaniv Shmelzer**, 18631 Collins St., No. 34, Tarzana, CA (US) 91356

(\*\*) **Term:** **14 Years**

(21) **Appl. No.:** **29/189,190**

(22) **Filed:** **Aug. 29, 2003**

(51) **LOC (7) Cl.** ..... **07-06**

(52) **U.S. Cl.** ..... **D7/590; D20/19**

(58) **Field of Search** ..... D7/590, 592; D6/467, D6/470; D20/10, 19, 21, 99; 211/13.1, 49.1, 71.01, 74, 131.1, 78; 340/286.06, 286.09, 311.2, 331, 332; 40/661.02, 427, 453, 493, 541

(56) **References Cited**

**U.S. PATENT DOCUMENTS**

D156,670 S	*	12/1949	Runnels	.....	D7/592
D286,845 S	*	11/1986	Jones	.....	D7/590
D324,155 S	*	2/1992	Hyman	.....	D7/590
5,699,039 A	*	12/1997	Korzen	.....	340/311.2
D396,171 S	*	7/1998	Conway	.....	D7/590

\* cited by examiner

(57) **CLAIM**

The ornamental design for a receptacle for holding various table items and food combined with a device to summon a waiter and providing a concurrent illuminated advertising display, as shown and described.

**DESCRIPTION**

FIG. 1 is a perspective view of a receptacle for holding various table items and food combined with a device to summon a waiter and providing a concurrent illuminated advertising display, showing my new design;

FIG. 2 is a front elevational view;

FIG. 3 is a rear elevational view;

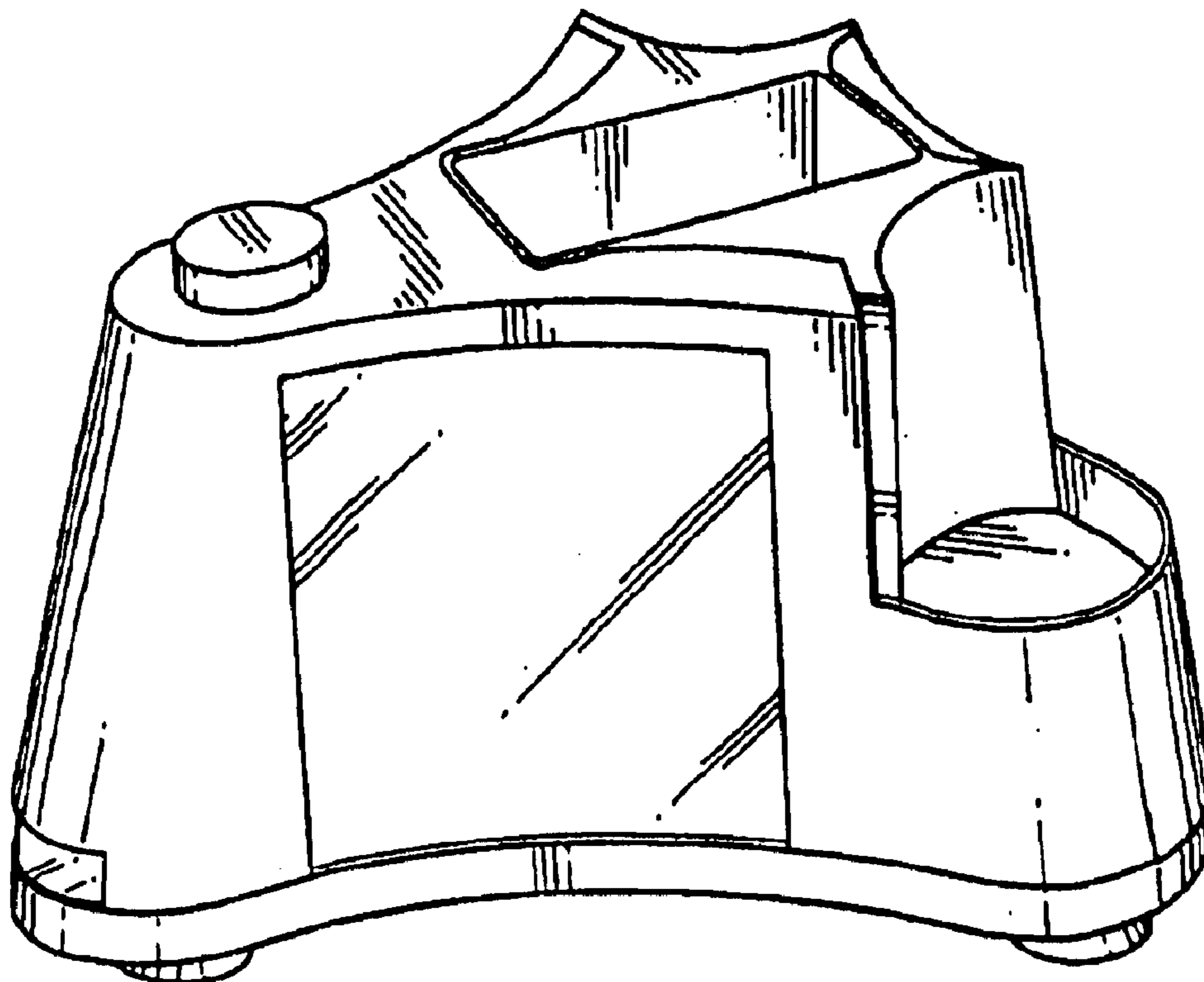
FIG. 4 is a right side elevational view, the left side being a mirror image;

FIG. 5 is a top plan view;

FIG. 6 is a bottom plan view; and,

FIG. 7 is a perspective view with the table item and food shown in broken lines for illustrative purposes only and forming no part of the claimed design.

**1 Claim, 2 Drawing Sheets**



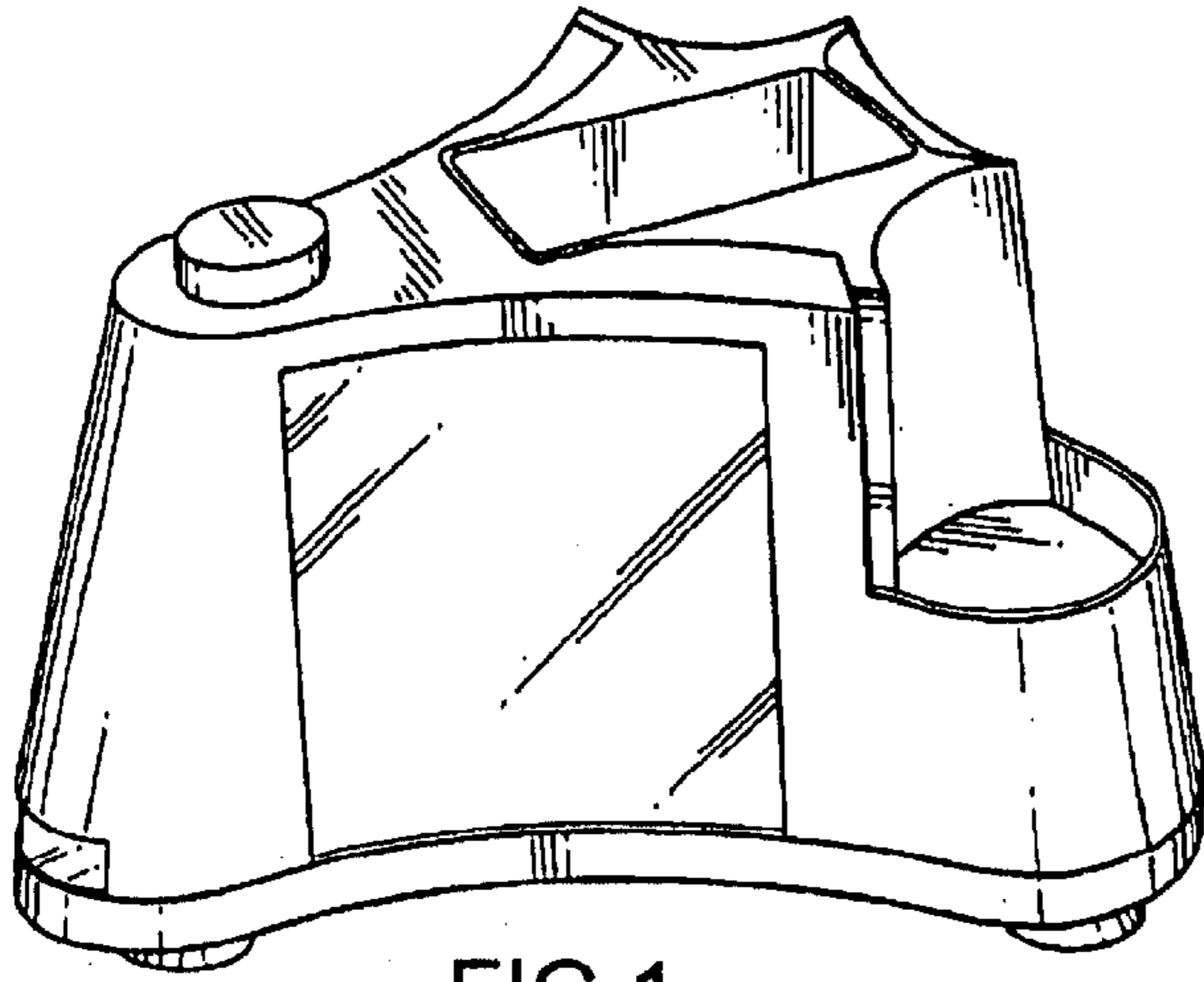


FIG. 1

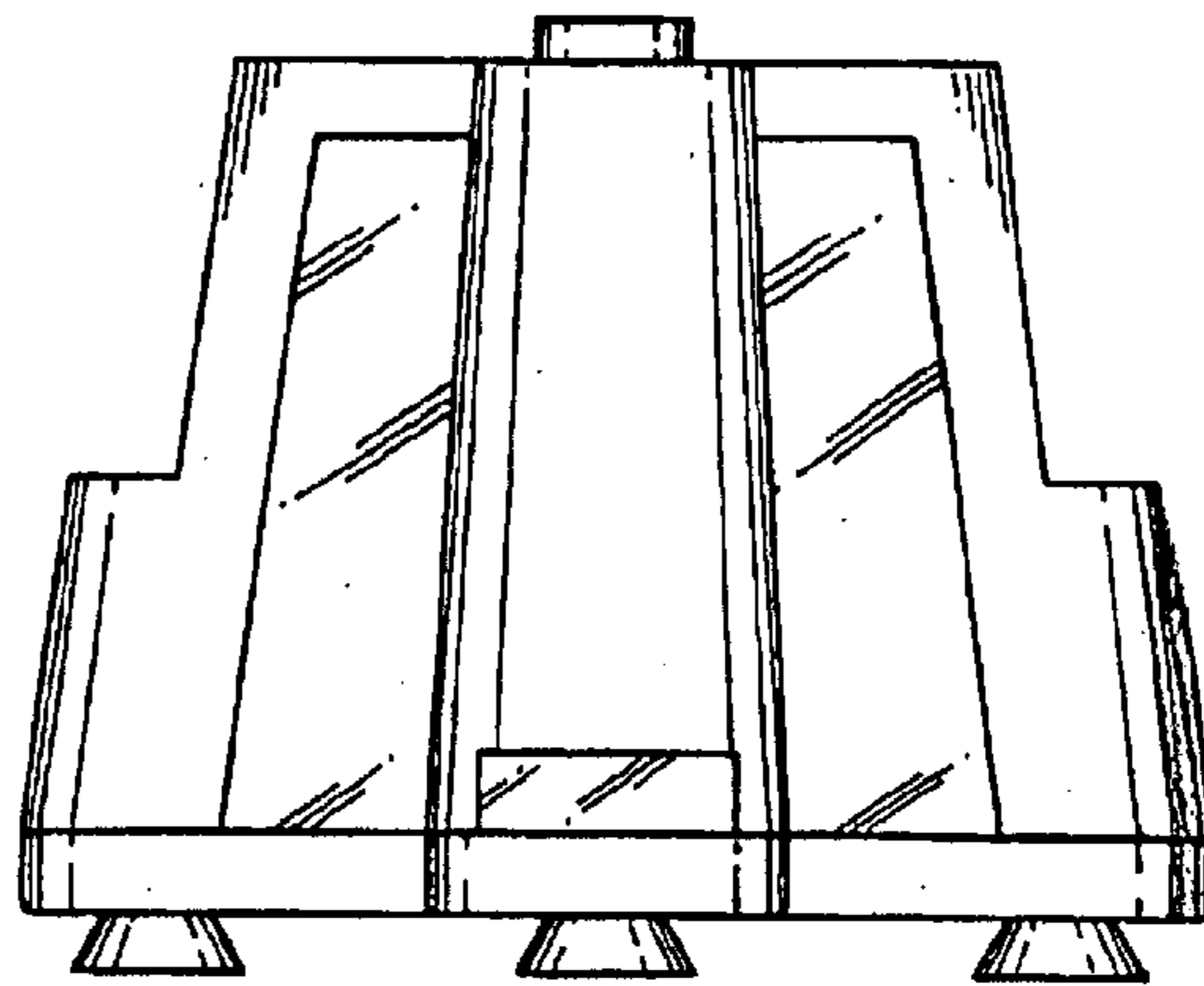


FIG. 2

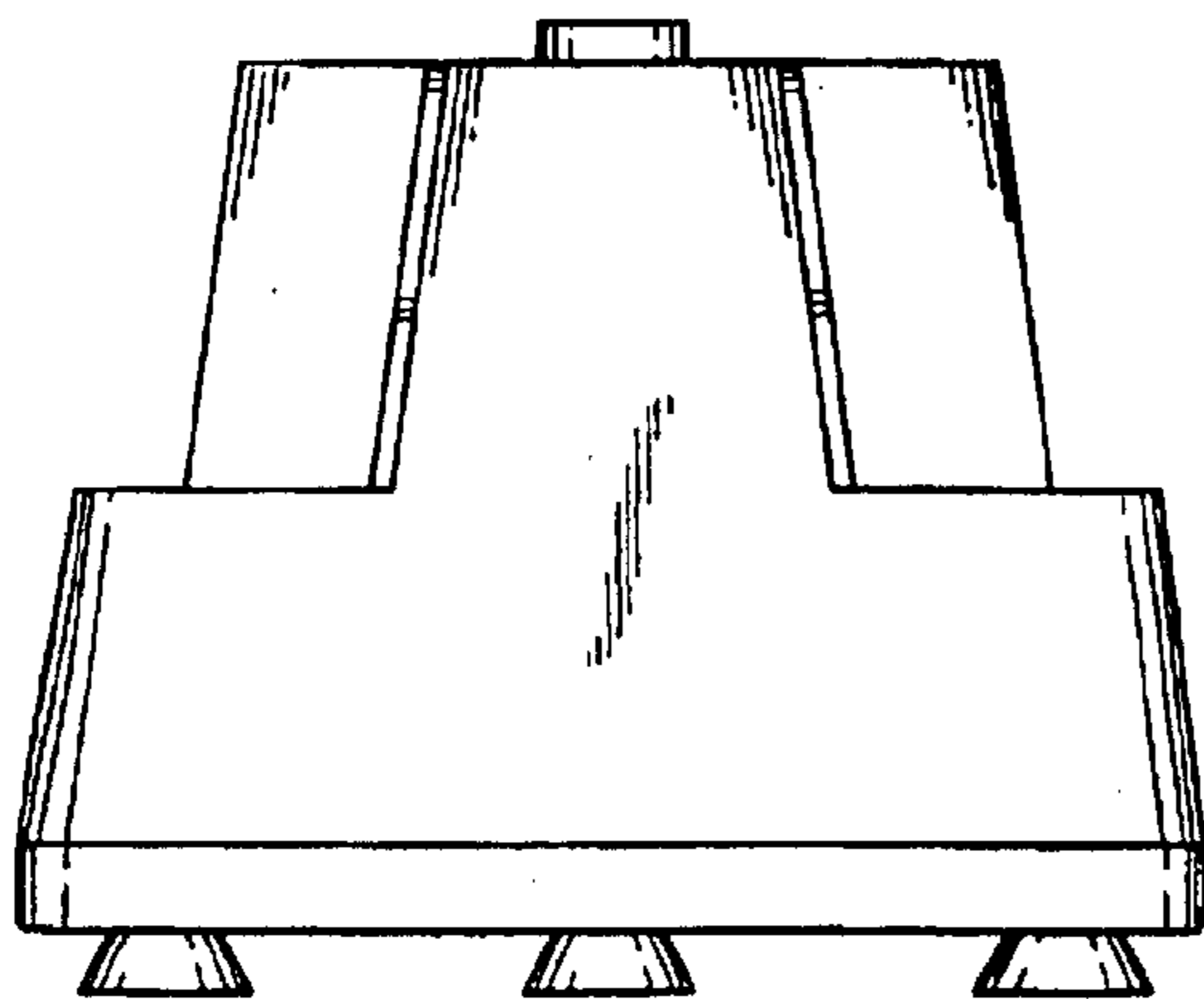


FIG. 3

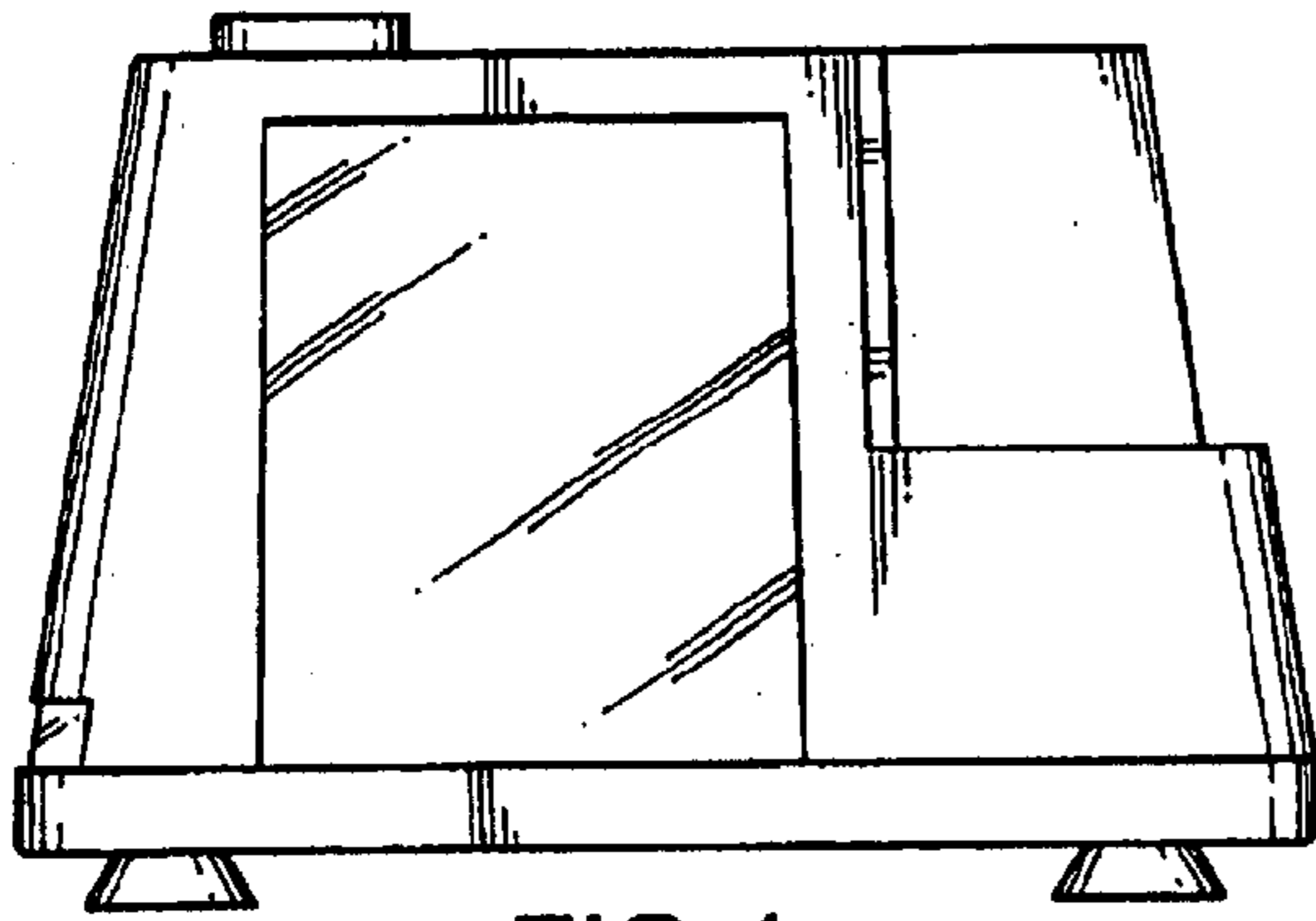


FIG. 4

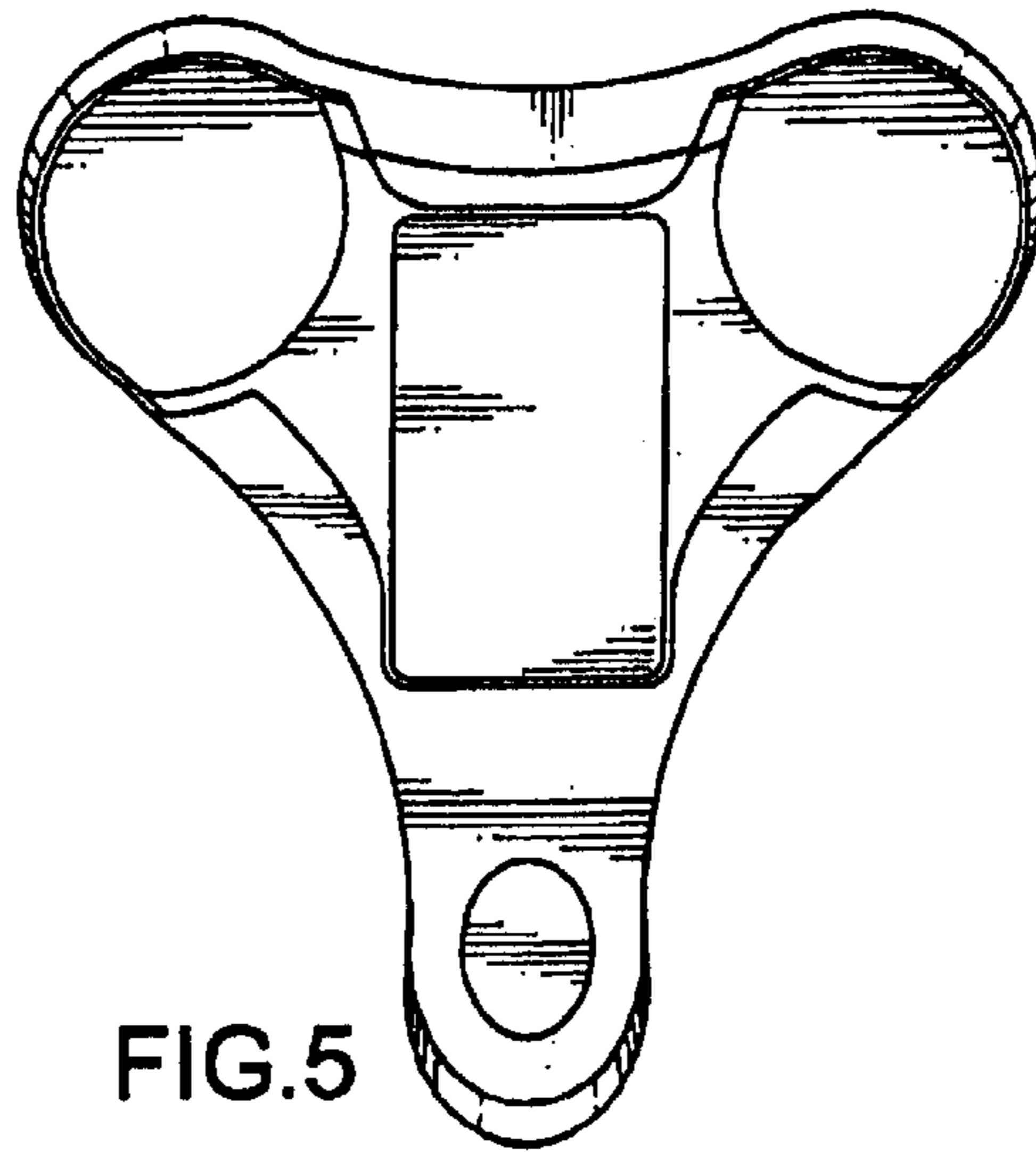


FIG. 5

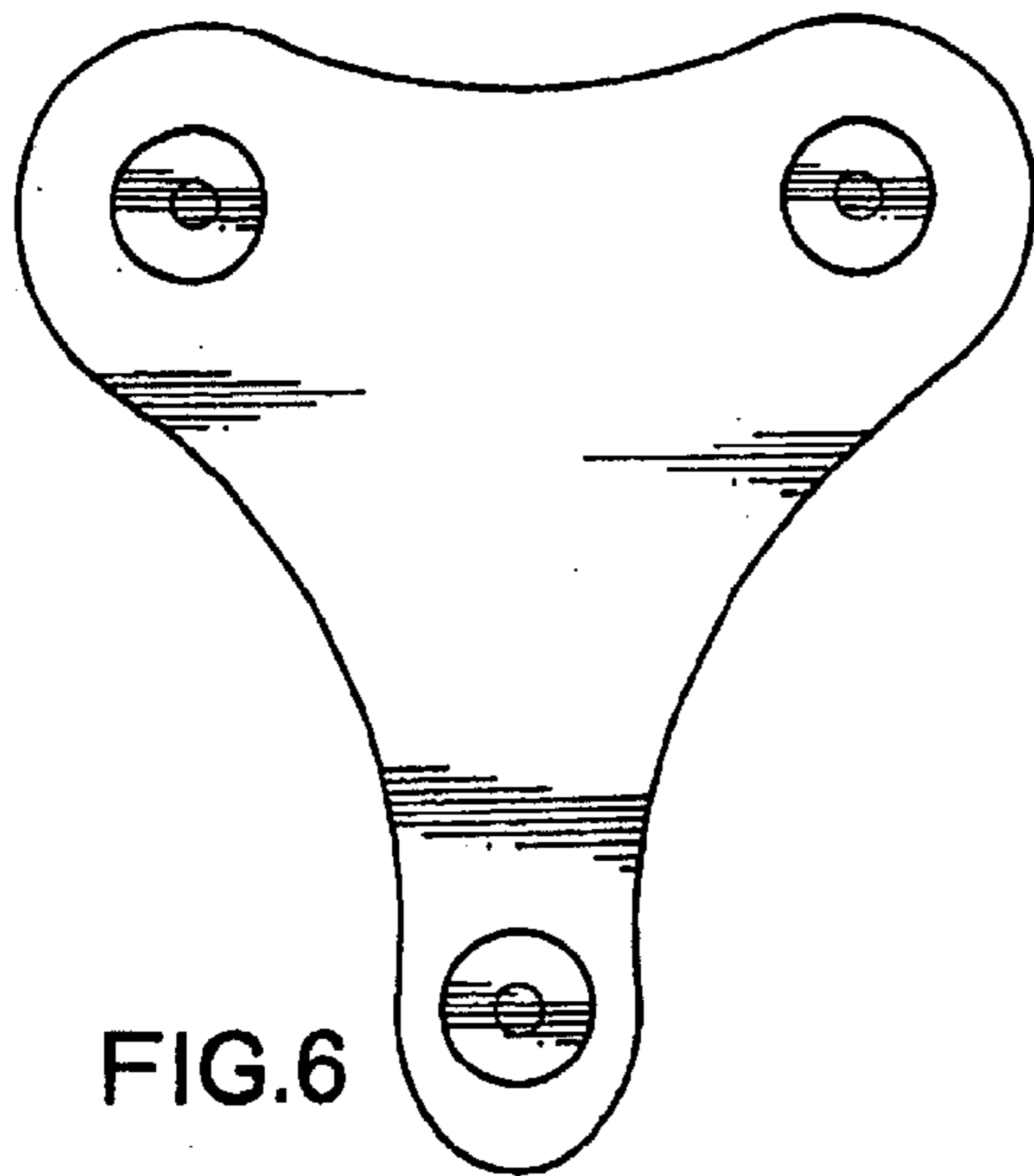


FIG. 6

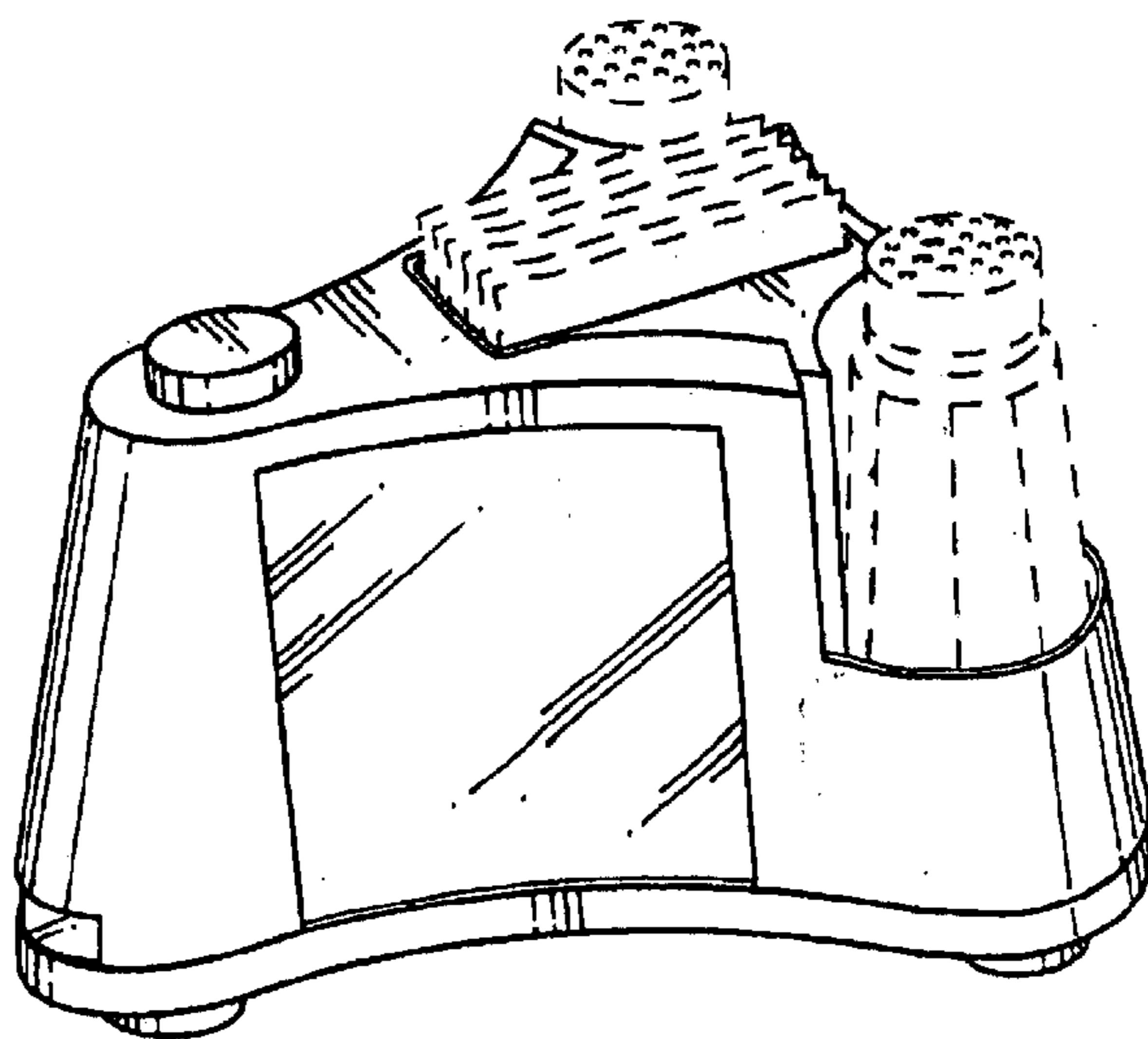


FIG. 7