

US00D500636S

(12) **United States Design Patent**  
**Levy et al.**

(10) **Patent No.: US D500,636 S**  
(45) **Date of Patent: \*\* Jan. 11, 2005**

(54) **DRY GOODS DISPENSER**

(76) Inventors: **Tamir Levy**, 5816 Sheridan Rd.,  
Chicago, IL (US) 60645; **Gil Gold**,  
5816 Sheridan Rd., Chicago, IL (US)  
60645; **Tal Eldar Ben Shlomo**, 43  
Yarden St., Ramat Hasharon (IL), 47204

(\*\*) Term: **14 Years**

(21) Appl. No.: **29/190,659**

(22) Filed: **Sep. 24, 2003**  
(Under 37 CFR 1.47)

(51) **LOC (7) Cl. .... 07-06**

(52) **U.S. Cl. .... D7/589**

(58) **Field of Search** ..... D7/589, 590; D6/542-545;  
D20/1, 4, 7; 222/185.1, 173, 174, 251,  
288, 368, 282, 424.5, 434, 425, 630

(56) **References Cited**

**U.S. PATENT DOCUMENTS**

2,920,796	A *	1/1960	Field	.....	222/185.1
3,204,833	A *	9/1965	Weitzner	.....	222/368
D252,655	S *	8/1979	Dibling	.....	D6/544
RE33,083	E *	10/1989	Pellegrino	.....	222/288
D352,867	S *	11/1994	Morris	.....	D7/589
D384,863	S *	10/1997	Danemayer	.....	D7/589
5,833,097	A *	11/1998	Ruth	.....	222/368
D467,465	S	12/2002	Apelboim et al.		
D467,466	S	12/2002	Apelboim et al.		

\* cited by examiner

*Primary Examiner*—Terry A. Wallace

(74) *Attorney, Agent, or Firm*—Wallenstein Wagner & Rockey, Ltd.

(57) **CLAIM**

The ornamental design for a “dry goods dispenser,” as shown and described.

**DESCRIPTION**

FIG. 1 is a perspective view of one embodiment of the dry goods dispenser of the present design;  
 FIG. 2 is a frontal view thereof;  
 FIG. 3 is a back view thereof;  
 FIG. 4 is a right side view thereof; the left side view being identical in mirror image thereto;  
 FIG. 5 is a top view thereof;  
 FIG. 6 is a bottom view thereof;  
 FIG. 7 is a perspective view of another embodiment of the dry goods dispenser of the present design;  
 FIG. 8 is a frontal view of thereof;  
 FIG. 9 is a back view thereof;  
 FIG. 10 is a right side view thereof; the left side view being identical in mirror image thereto;  
 FIG. 11 is a top view thereof; and,  
 FIG. 12 is a bottom view thereof.

Features shown in broken lines in the drawings are not part of the claim.

**1 Claim, 9 Drawing Sheets**

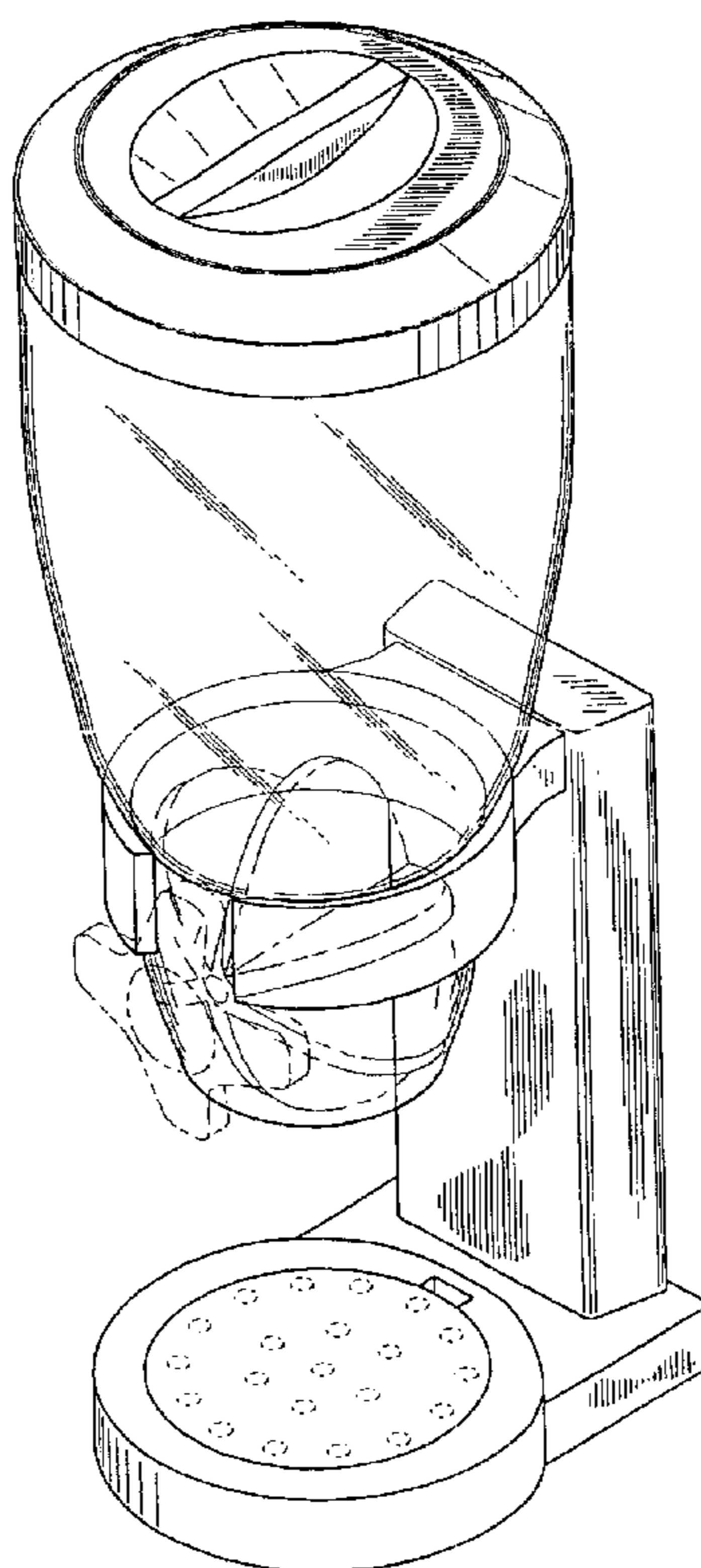


FIG. 1

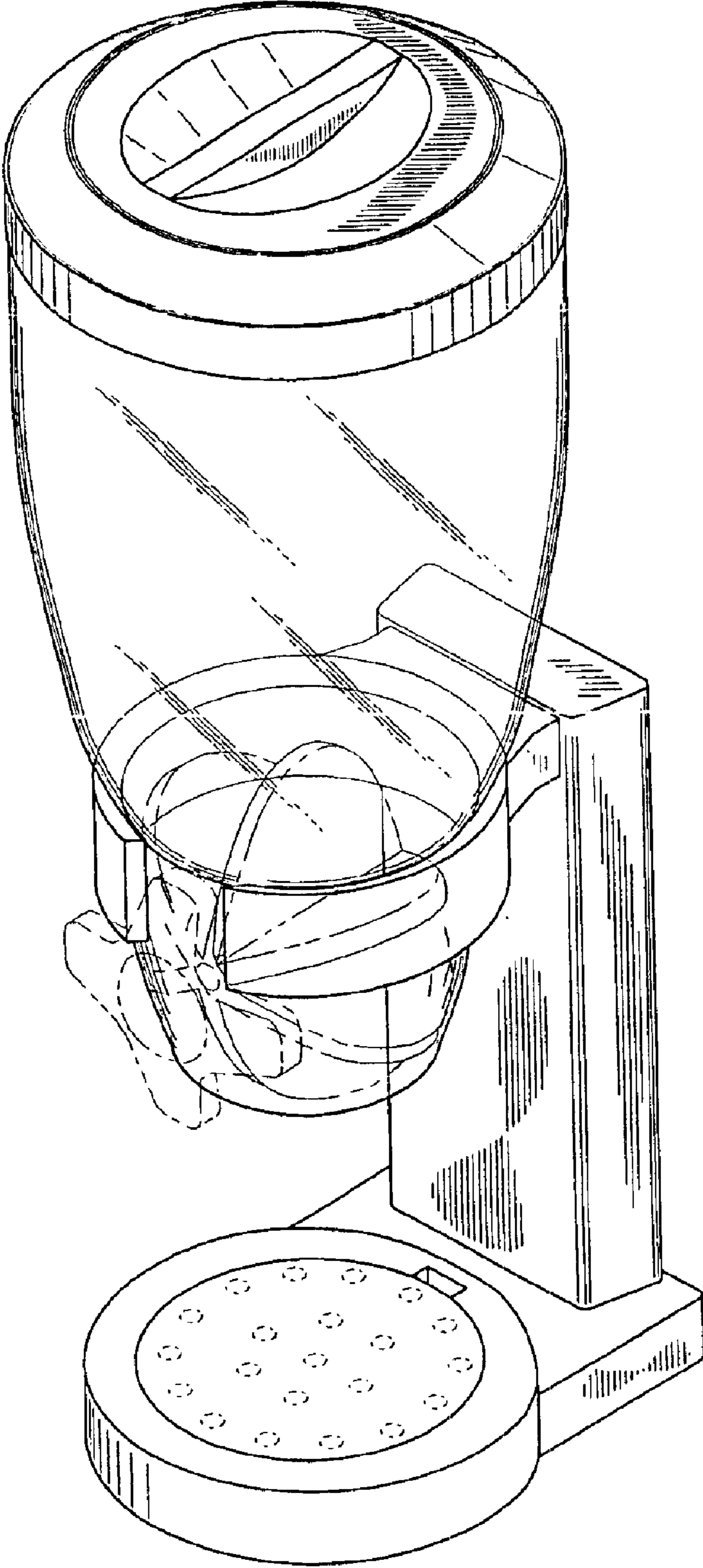


FIG. 2

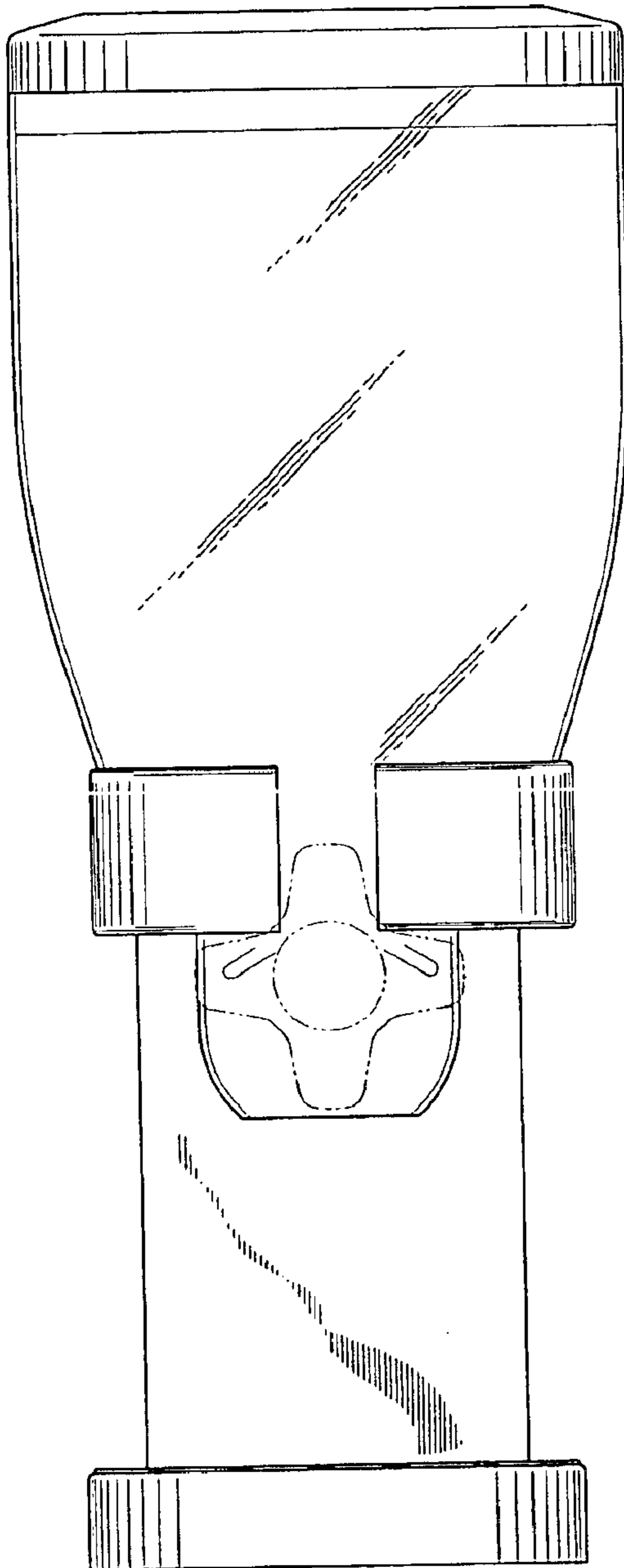


FIG. 3

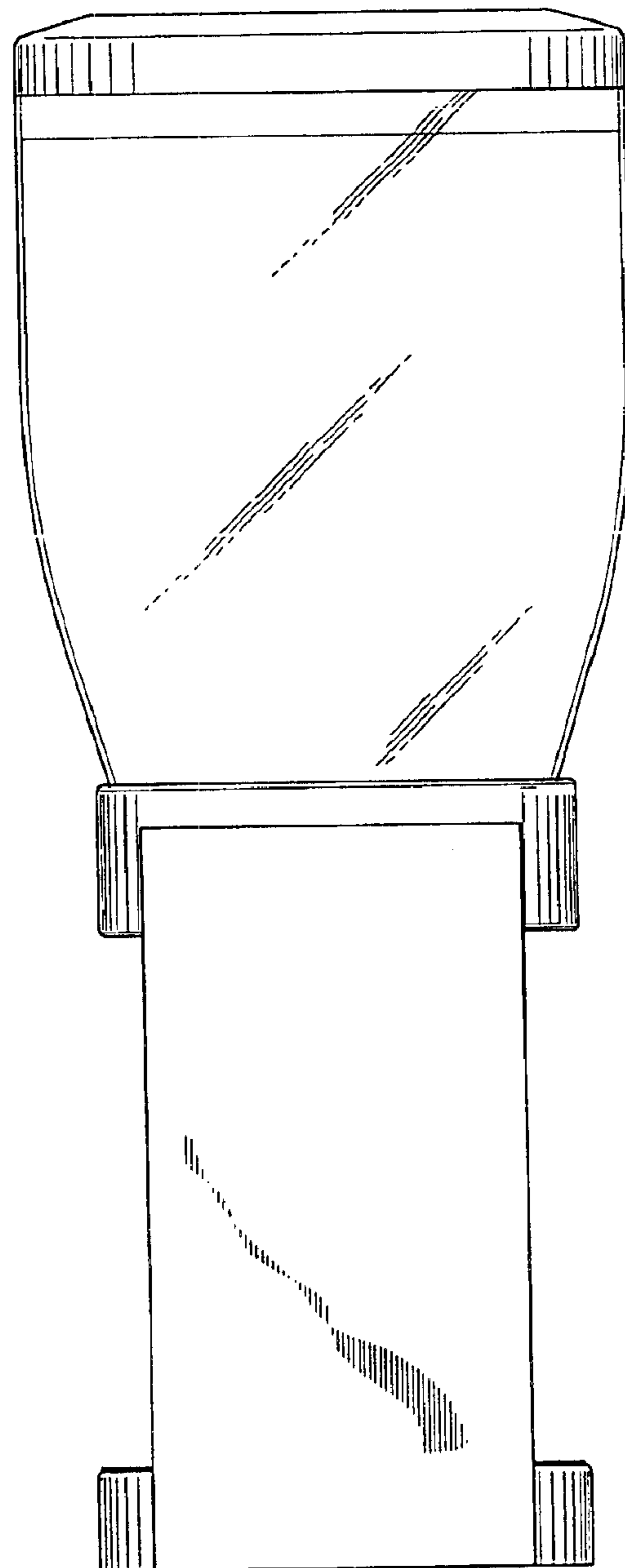


FIG. 4

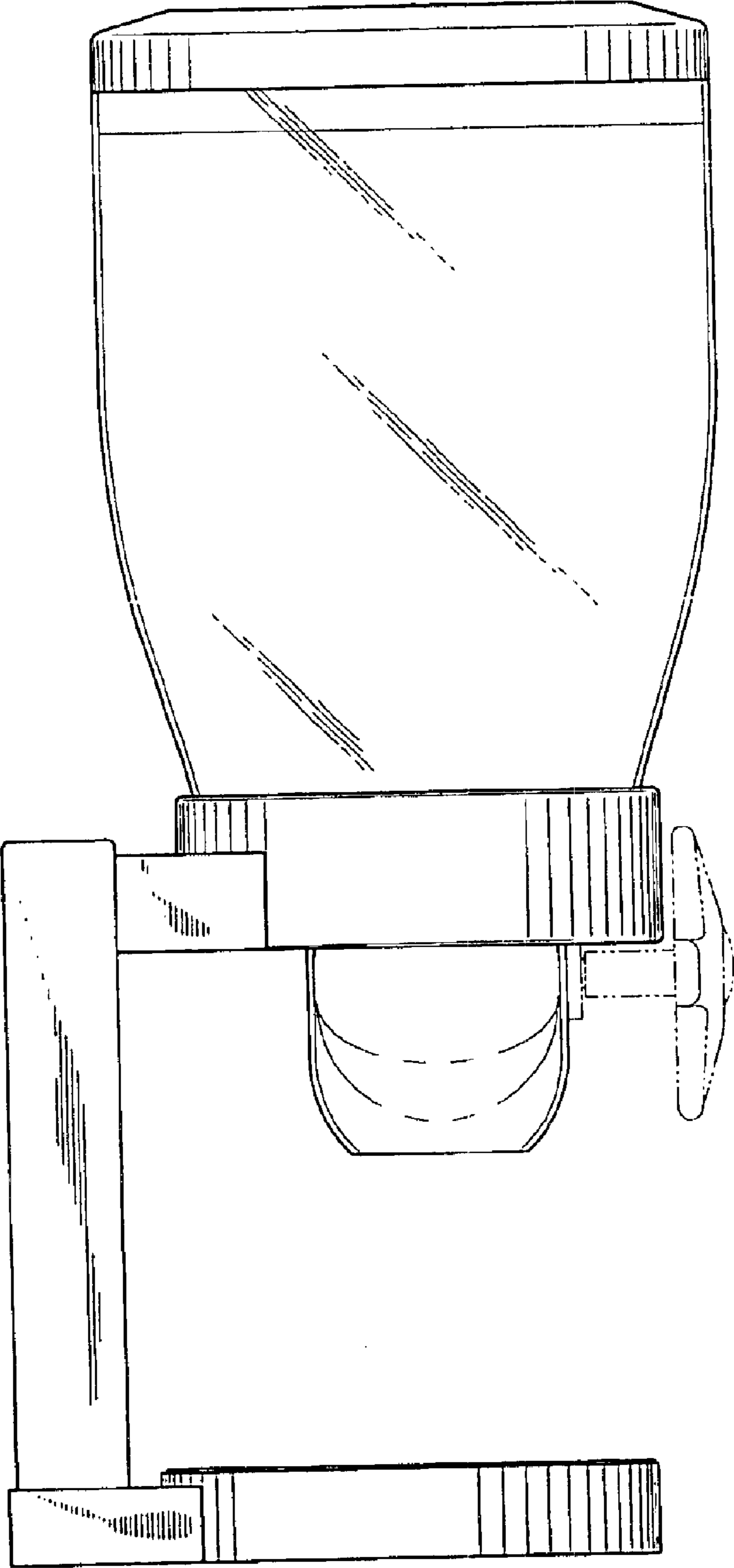


FIG. 5

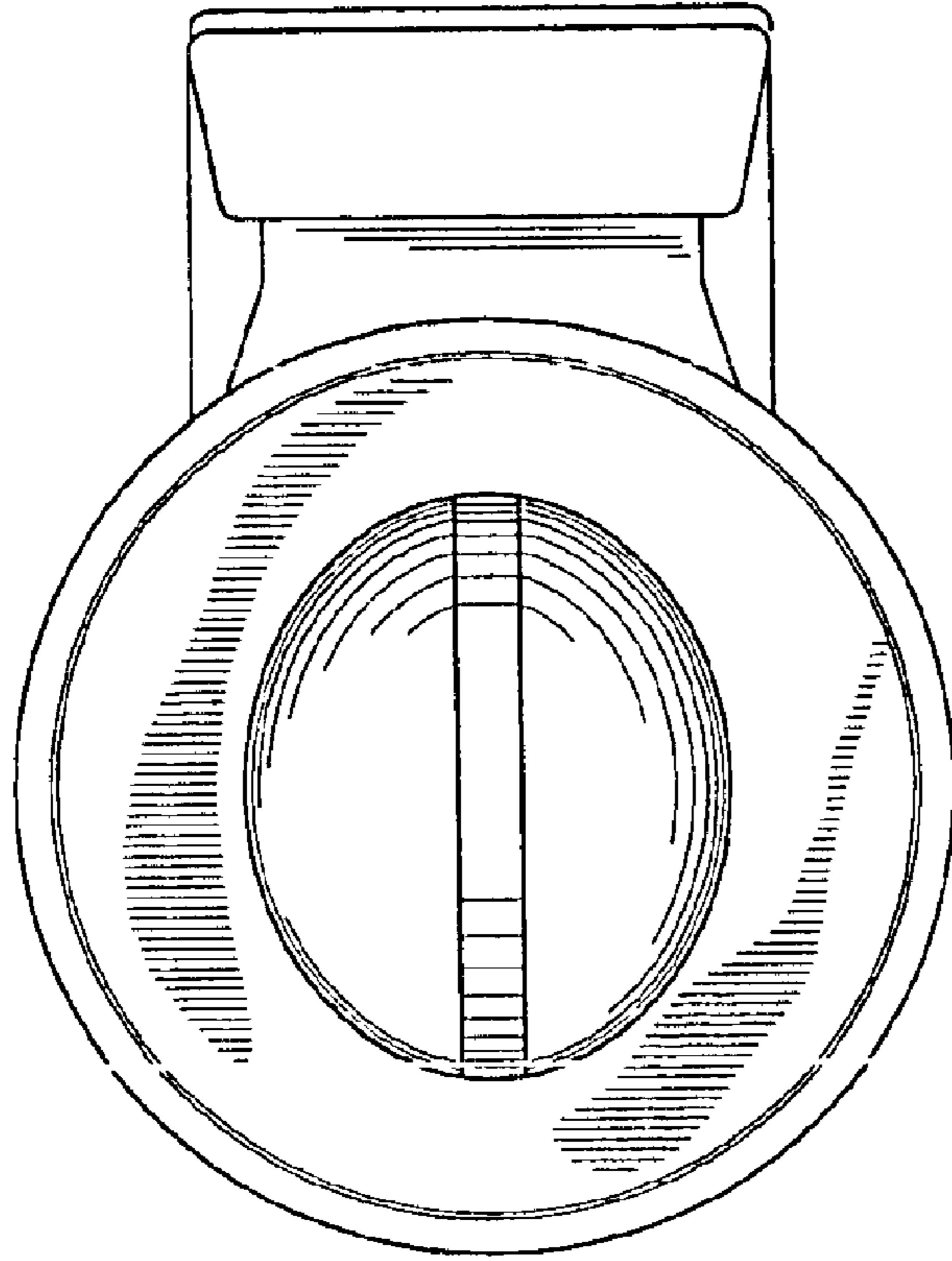
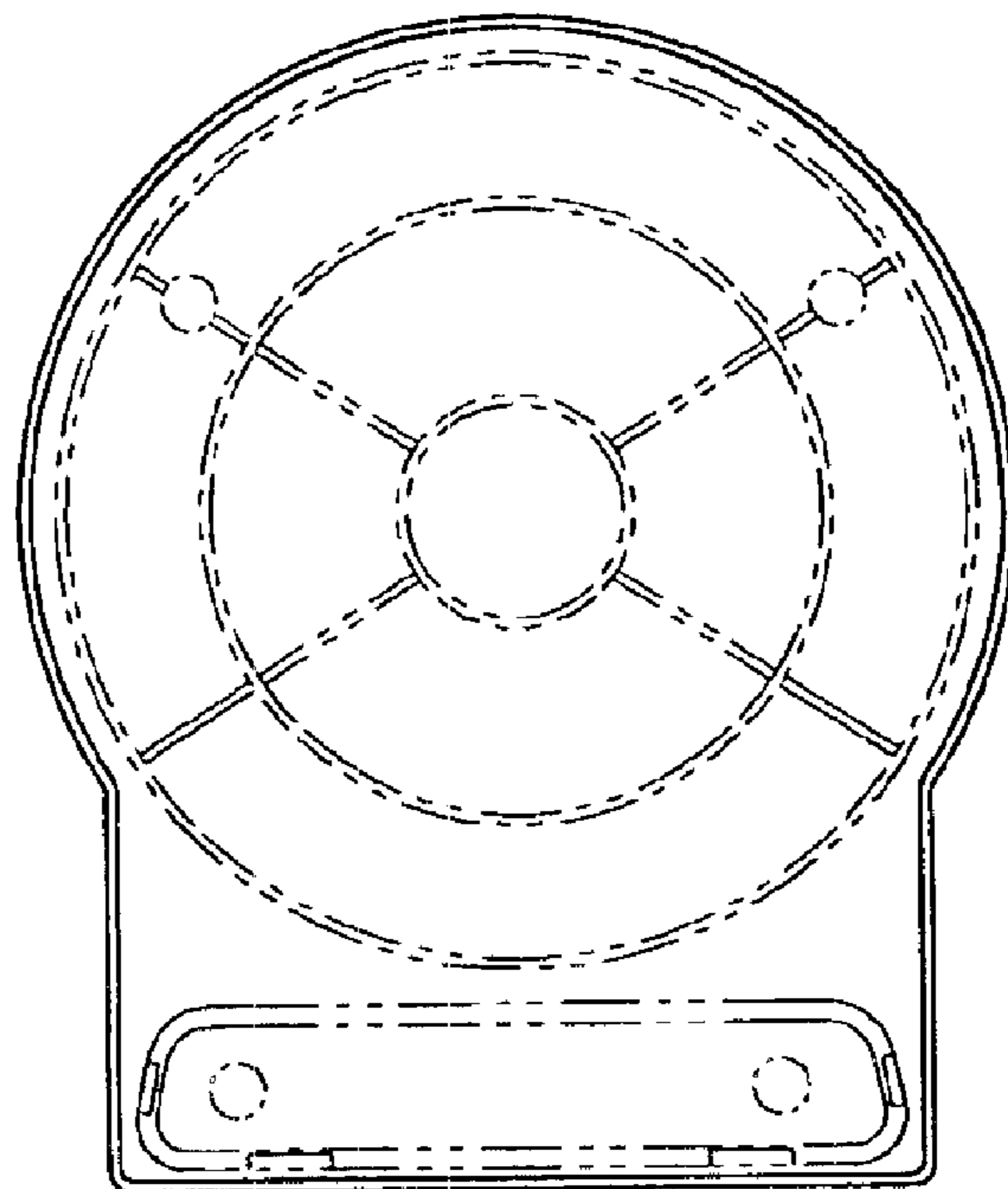


FIG. 6



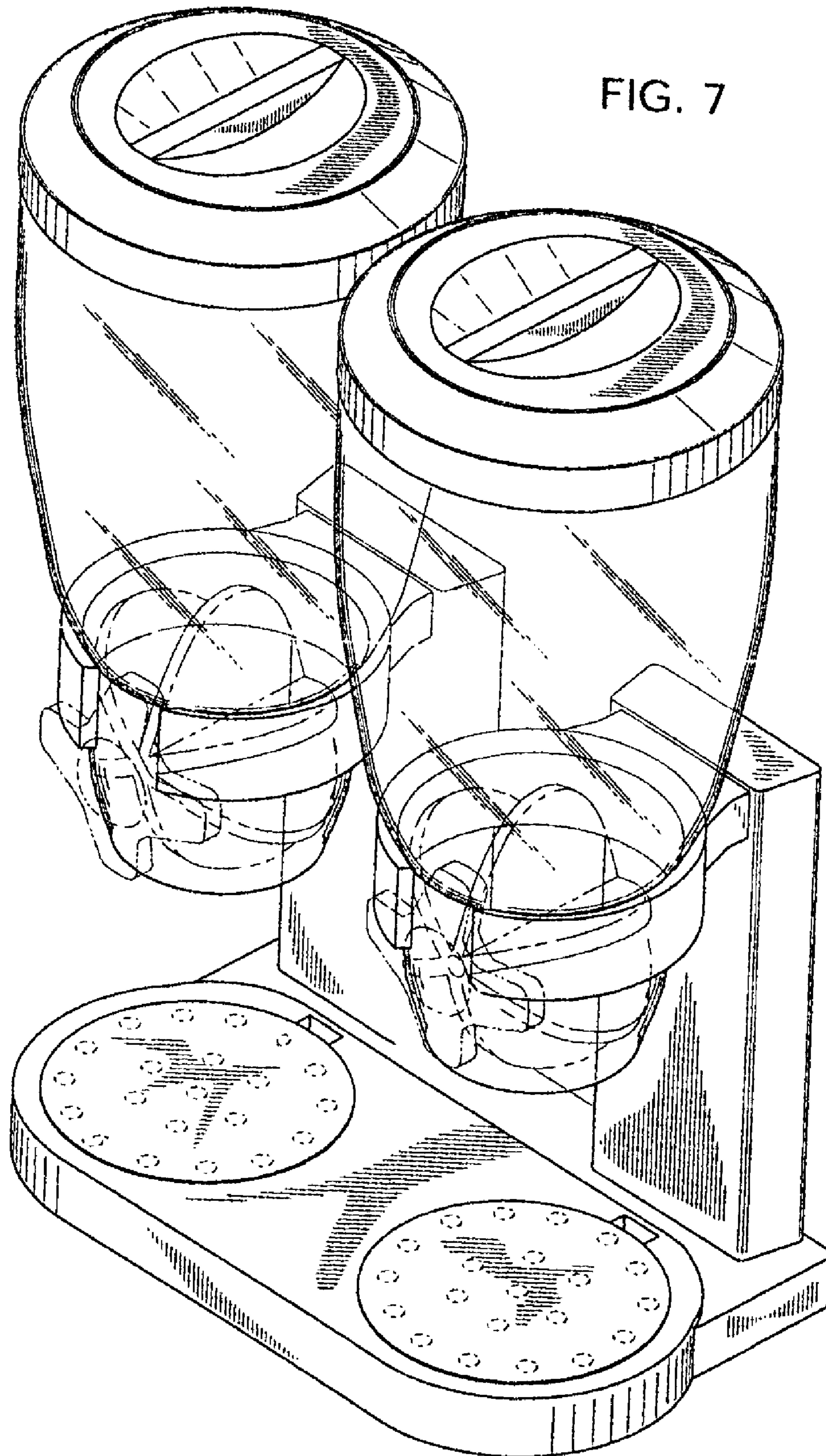


FIG. 8

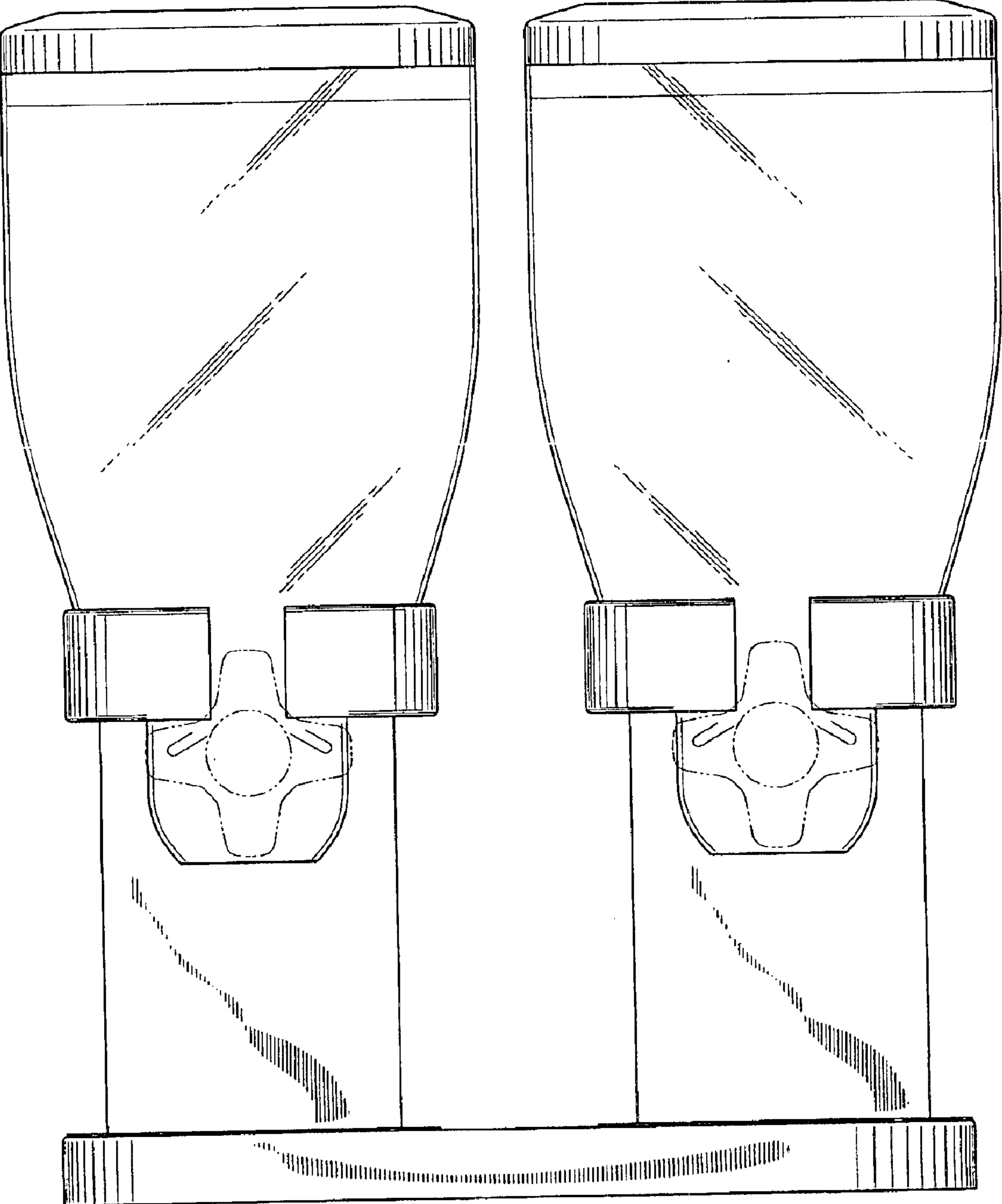


FIG. 9

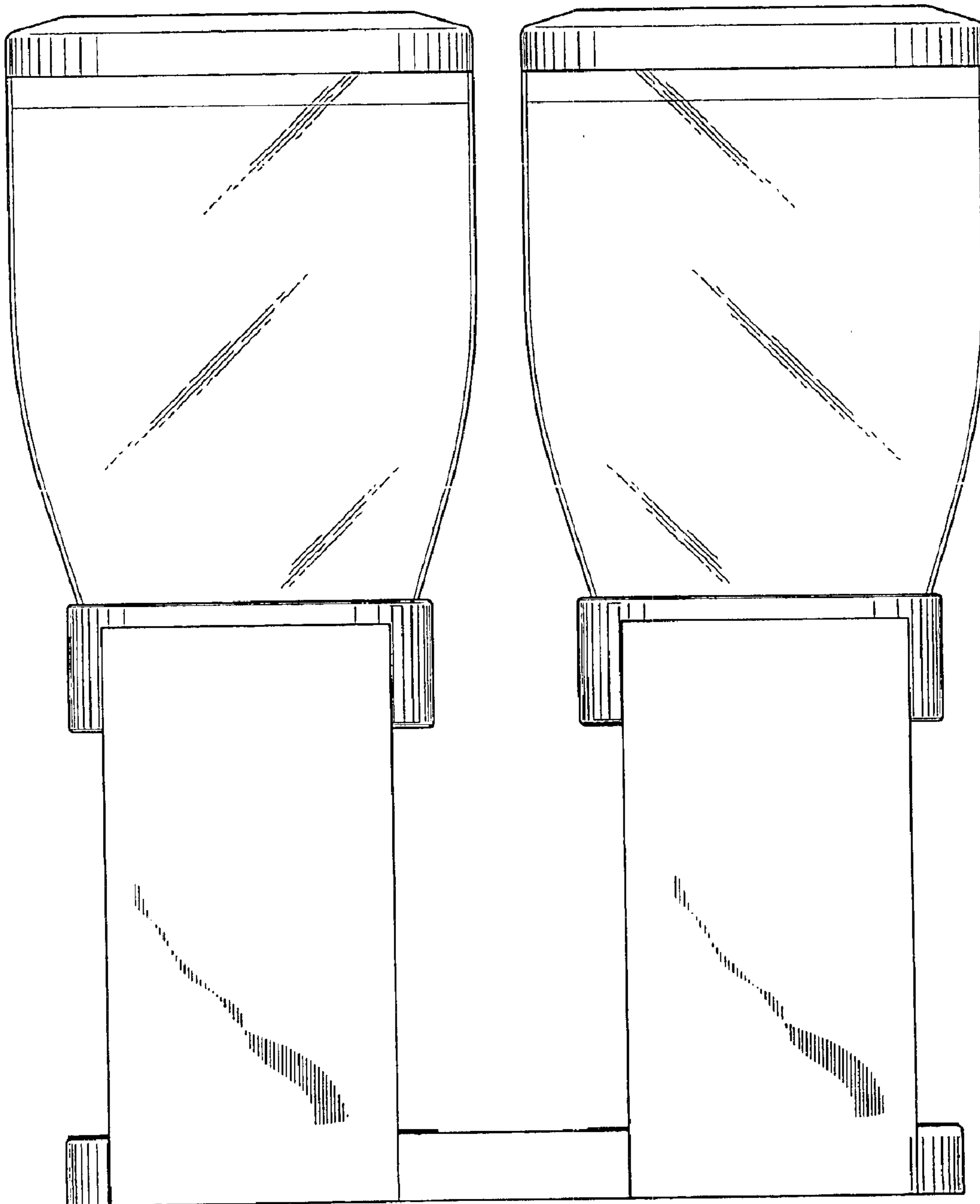




FIG. 10

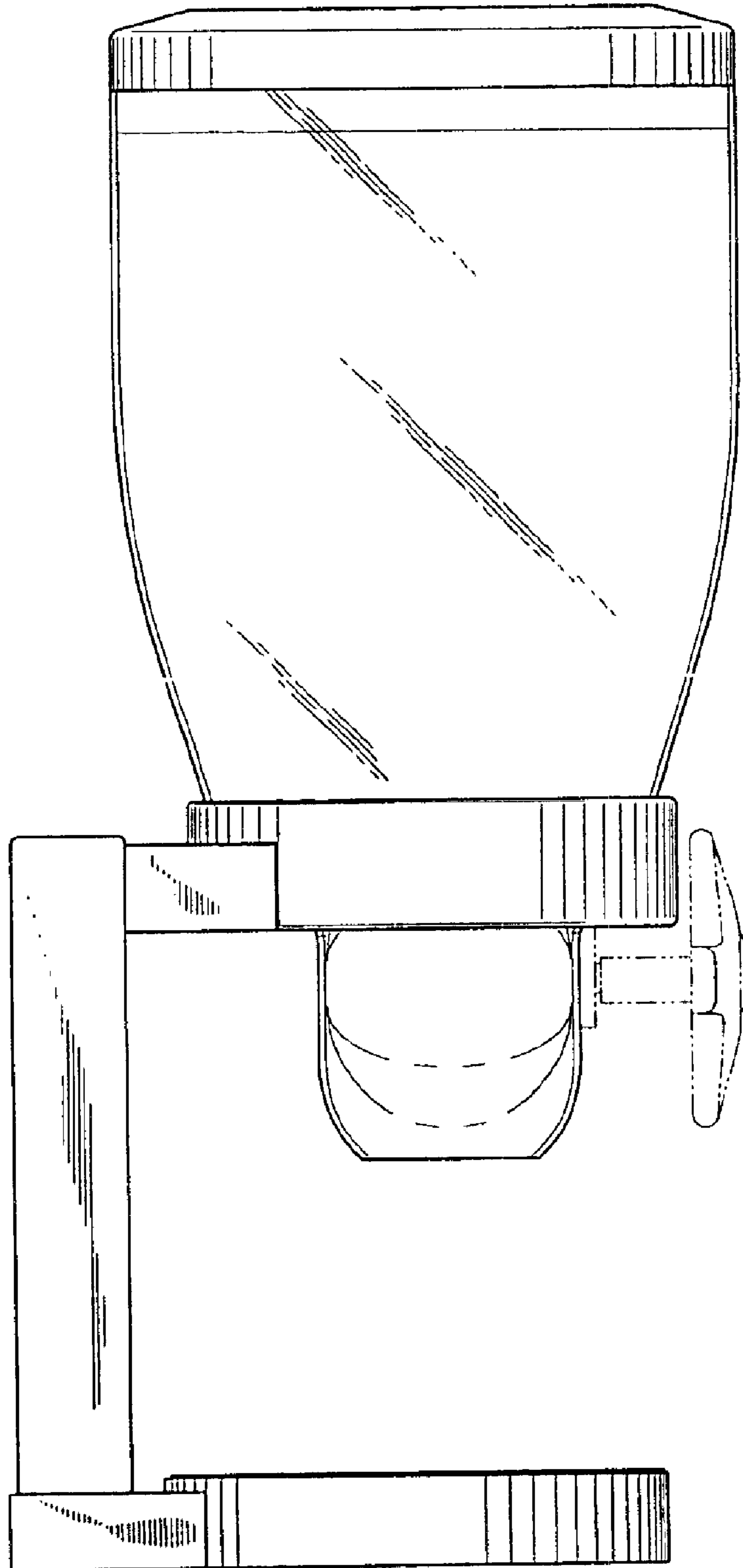


FIG. 11

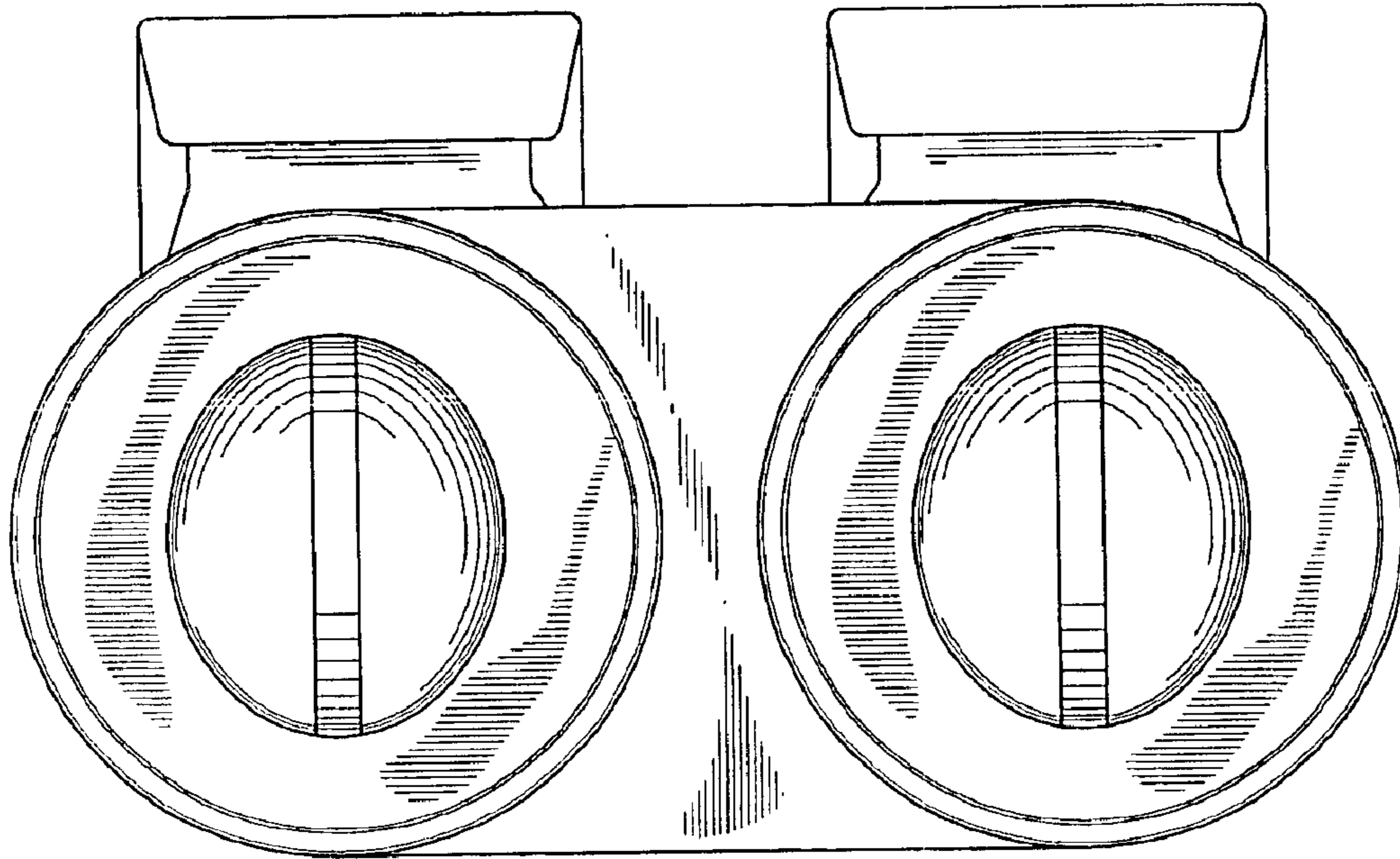


FIG. 12

