

US00D500635S

(12) **United States Design Patent**  
**Barry**

(10) **Patent No.:** **US D500,635 S**

(45) **Date of Patent:** **\*\* Jan. 11, 2005**

(54) **TACO SERVER**

(76) **Inventor:** **Ronald J. Barry**, 5039N FM312,  
Winnsboro, TX (US) 75494

(\*\*) **Term:** **14 Years**

(21) **Appl. No.:** **29/189,146**

(22) **Filed:** **Sep. 2, 2003**

(51) **LOC (7) Cl.** ..... **07-01**

(52) **U.S. Cl.** ..... **D7/504; D7/553.2**

(58) **Field of Search** ..... **D7/504, 354, 357,**  
**D7/505, 549, 553.1-557, 602, 629, 630;**  
**D9/341, 347, 414, 424, 430-432; 206/557-564;**  
**220/574-575; 229/400, 406, 407, 902, 904**

(56) **References Cited**

**U.S. PATENT DOCUMENTS**

D259,010 S	*	4/1981	Klatt	.....	D7/504
D267,143 S	*	12/1982	Gessing et al.	.....	D7/504
D297,797 S	*	9/1988	Roberts	.....	D7/504
D352,203 S	*	11/1994	Campbell et al.	.....	D7/553.2
D363,856 S	*	11/1995	Westbrooks, Jr.	.....	D7/553.2

\* cited by examiner

*Primary Examiner*—Terry A. Wallace

(57) **CLAIM**

I claim the ornamental design for the taco server, as shown and described.

**DESCRIPTION**

My new invention is a taco server consisting of four taco holders and one taco condiment tray. The taco holder is placed upside down in a microwave and three taco shells are placed upside down on the three humps for heating. This process keep the shells from collapsing during heating. Turn the taco holder upright and place the three upright shells in the holder for serving. The taco condiment tray is used to hold the condiments normally served with tacos.

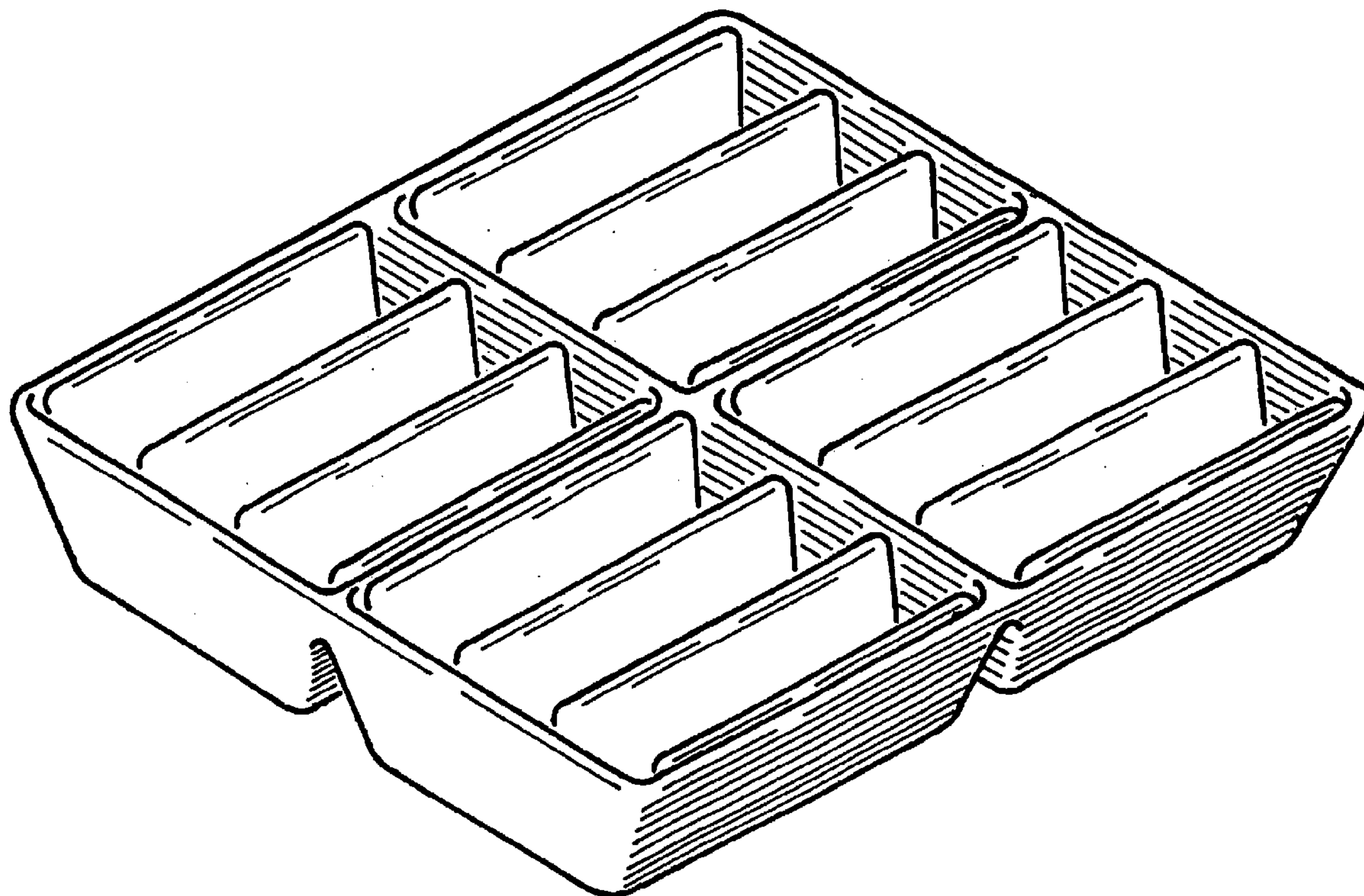
The taco server would be manufactured of a molded plastic material safe for food and be microwave and dishwasher safe.

FIG. 1 is a top, front, left side perspective view of the taco server showing my new design;

FIG. 2 is a top, front, left side perspective view of the interior taco holder shown separately for clarity of illustration; and,

FIG. 3 is a top, front, left side perspective view of the outer condiment tray shown separately for clarity of illustration.

**1 Claim, 2 Drawing Sheets**



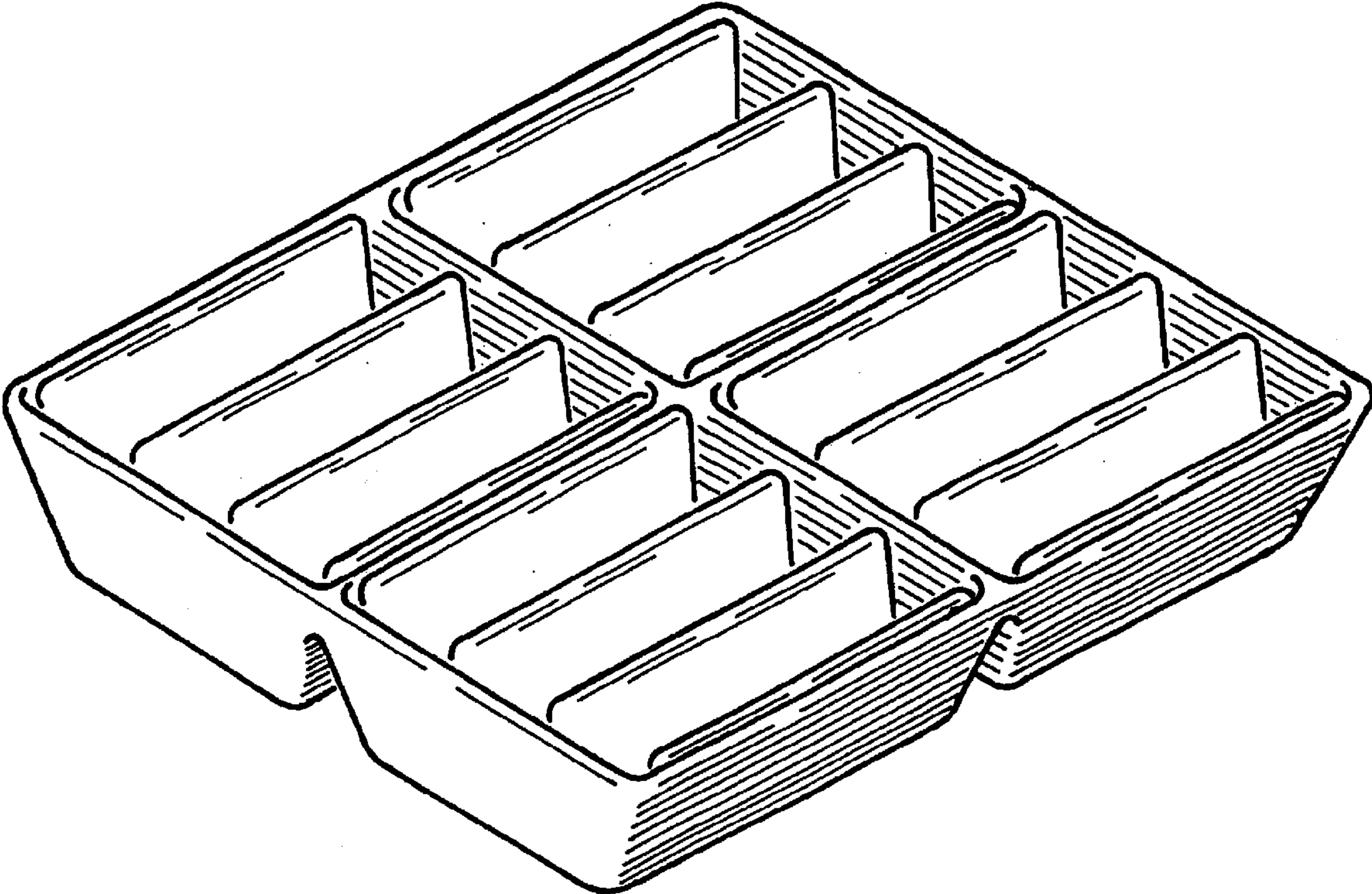


FIG. 1

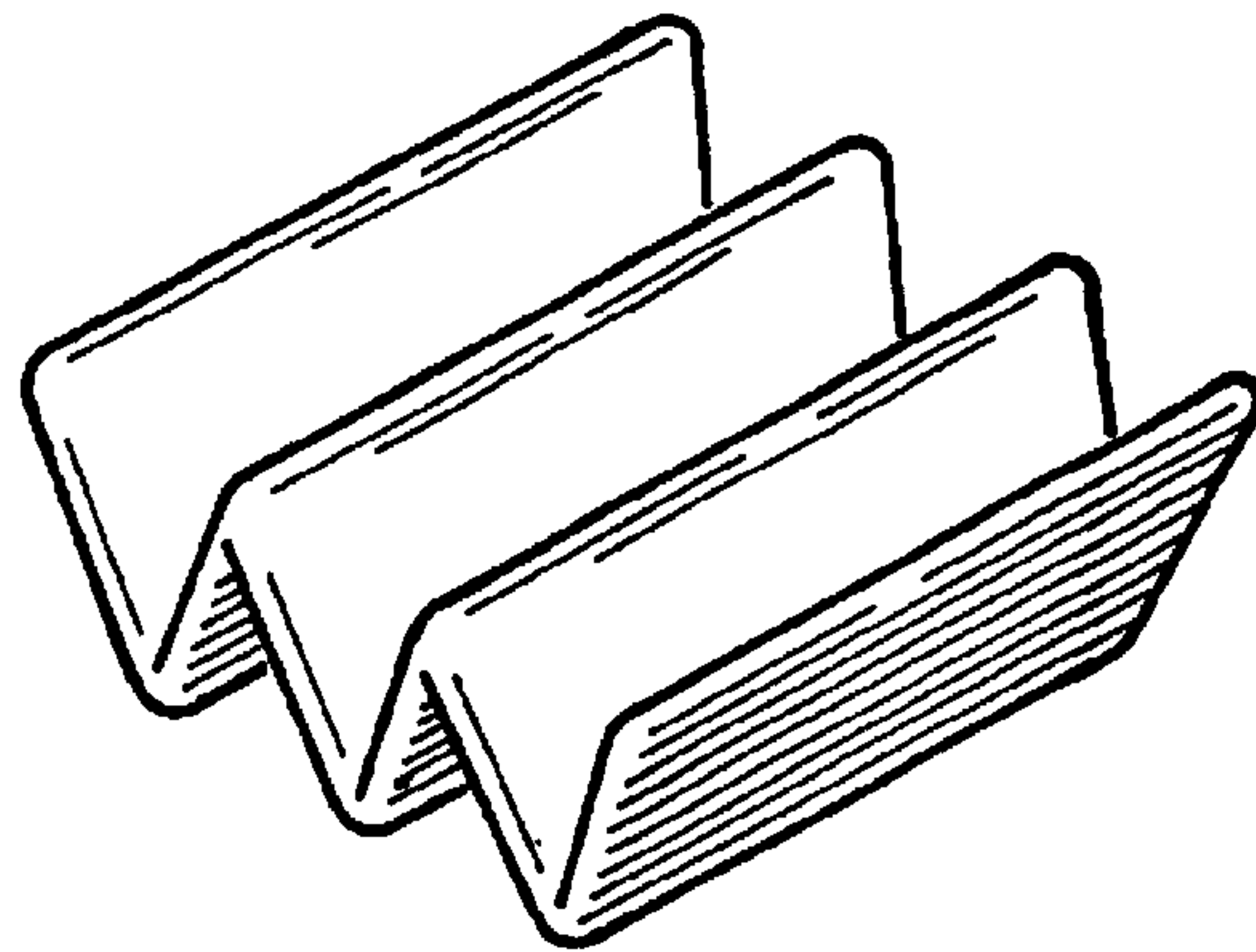


FIG. 2

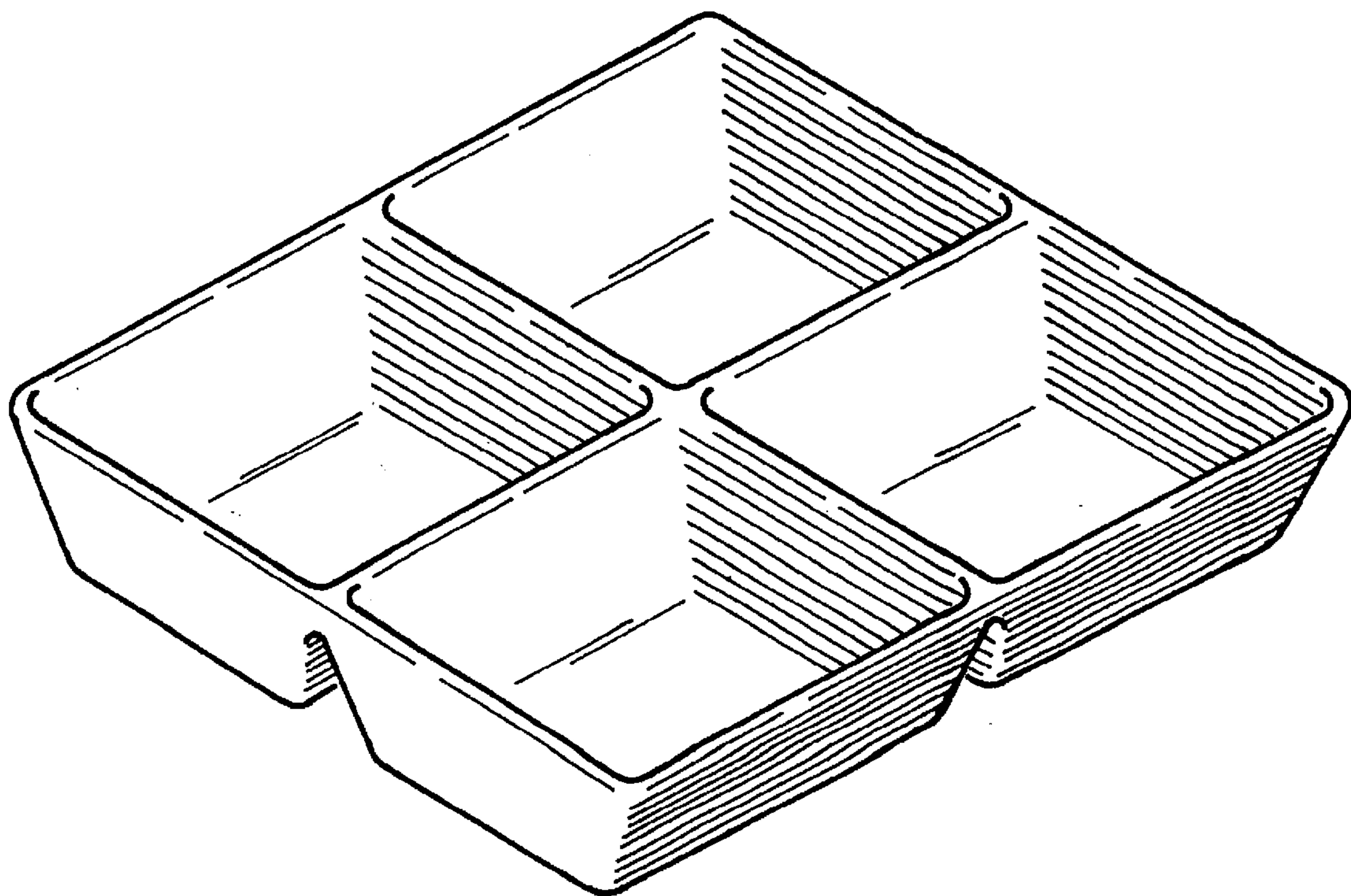


FIG. 3