

US00D500633S

(12) **United States Design Patent**
Sands

(10) **Patent No.: US D500,633 S**
(45) **Date of Patent: ** Jan. 11, 2005**

- (54) **MUG**
- (75) **Inventor: Lenny Sands, Los Angeles, CA (US)**
- (73) **Assignee: Homeland Housewares, LLC, Los Angeles, CA (US)**
- (**) **Term: 14 Years**
- (21) **Appl. No.: 29/205,079**
- (22) **Filed: May 7, 2004**

4,523,083 A	*	6/1985	Hamilton	219/433
D281,945 S	*	12/1985	Boyce	D7/378
4,708,487 A		11/1987	Marshall	366/206
4,889,248 A	*	12/1989	Bennett	215/390
D347,966 S	*	6/1994	Doggett	D7/378
5,531,353 A	*	7/1996	Ward et al.	220/729
D385,149 S	*	10/1997	Feil	D7/378
5,720,552 A	*	2/1998	Schindlegger	366/197
D470,050 S		2/2003	Renz et al.	D9/434
6,523,994 B2	*	2/2003	Lawson	366/199
D486,997 S	*	2/2004	Janky	D7/531
D487,668 S	*	3/2004	Sands	D7/378
2001/0036124 A1	*	11/2001	Rubenstein	366/205
2001/0046183 A1	*	11/2001	Lawson	366/205
2002/0176320 A1	*	11/2002	Wulf et al.	366/325.8
2003/0214875 A1	*	11/2003	Dickson	366/206

Related U.S. Application Data

- (63) Continuation-in-part of application No. 29/202,701, filed on Apr. 2, 2004.
- (51) **LOC (7) Cl. 07-01**
- (52) **U.S. Cl. D7/396.2; D7/510; D7/536**
- (58) **Field of Search D7/533, 536, 510, D7/511, 507, 531, 509, 376, 377, 378, 396.2; 366/199, 197, 251, 314, 205, 206, 130, 325.8; 215/390, 387, 398; 241/282.2, 282.1, 195; 220/718, 705, 710.5, 703, 603, 713, 729; 219/433**

* cited by examiner

Primary Examiner—M. N. Pandozzi
(74) *Attorney, Agent, or Firm*—Cislo & Thomas LLP

(57) **CLAIM**

The ornamental design for mug, as shown and described herein.

DESCRIPTION

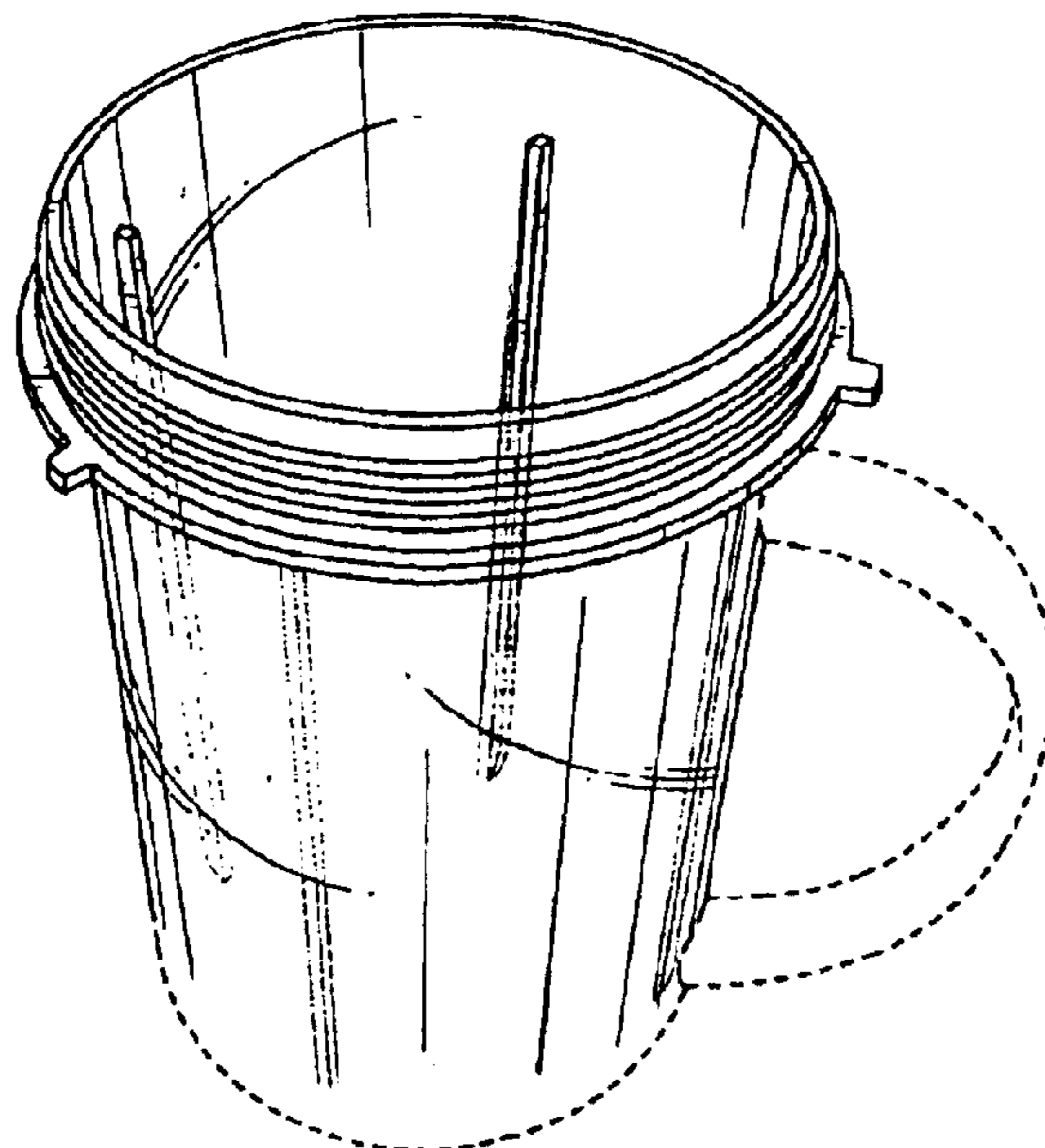
FIG. 1 is a perspective view of a mug showing my new design;
 FIG. 2 is a top plan view thereof;
 FIG. 3 is a bottom plan view thereof;
 FIG. 4 is a left side elevational view thereof;
 FIG. 5 is a rear elevational view thereof;
 FIG. 6 is a right side elevational view thereof;
 FIG. 7 is a front elevational view thereof; and,
 FIG. 8 is an environmental perspective view thereof.
 The broken line portions of the disclosure are for illustrative purposes only and form no part of the claimed design.

1 Claim, 3 Drawing Sheets

(56) **References Cited**

U.S. PATENT DOCUMENTS

2,299,730 A	10/1942	Bornstein	65/131
3,064,949 A	11/1962	Dewenter	259/108
3,085,710 A	4/1963	McIlroy	220/90.4
3,315,946 A	4/1967	Nissman	259/108
3,704,864 A	* 12/1972	Lee	366/205
D231,068 S	* 4/1974	Douglas	D7/533
3,881,705 A	5/1975	Greenspan	259/108
4,435,084 A	* 3/1984	Calhoun et al.	366/130
4,480,926 A	11/1984	Lattery, Jr. et al.	366/251
4,487,509 A	12/1984	Boyce	366/199



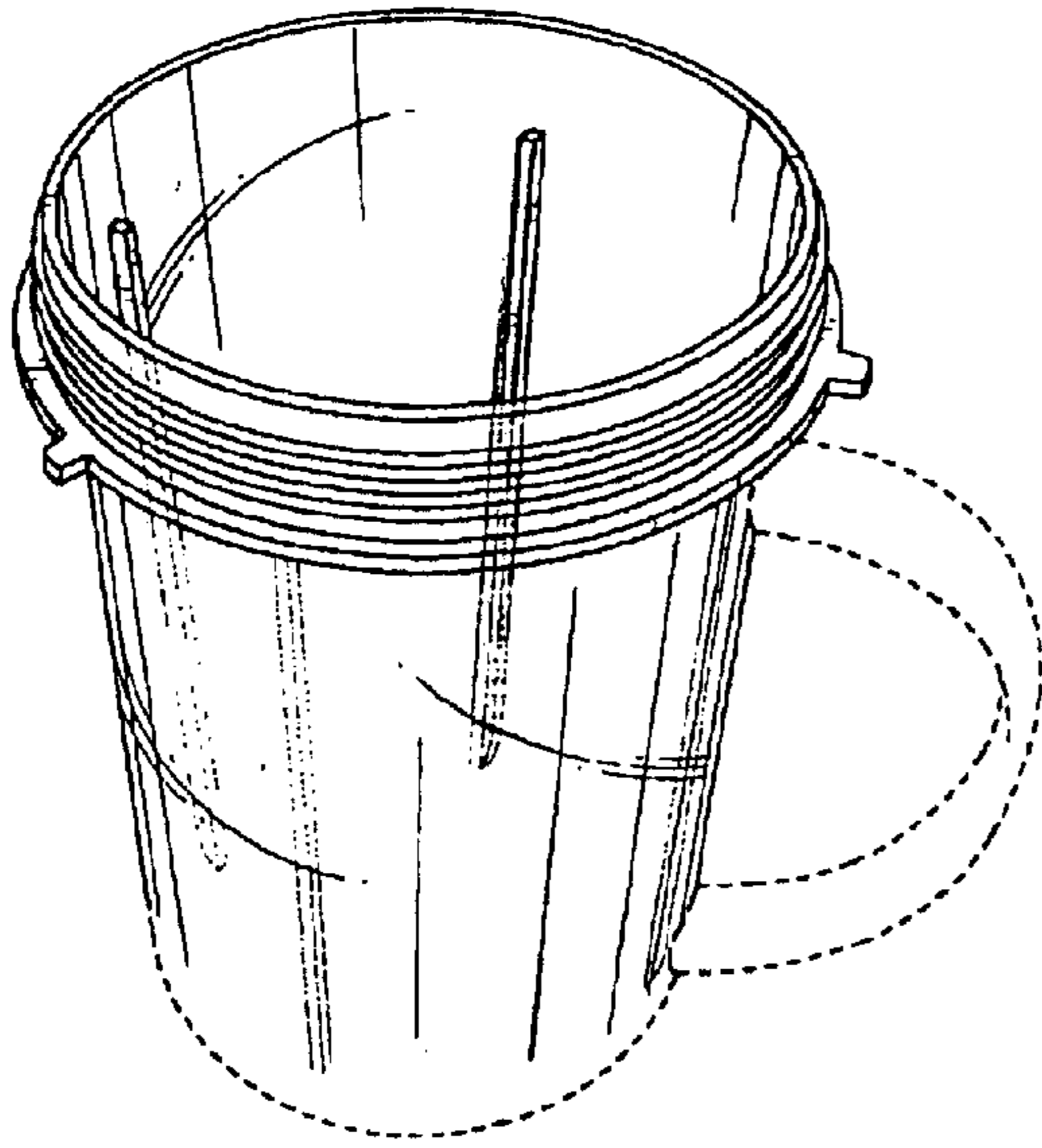


FIG. 1

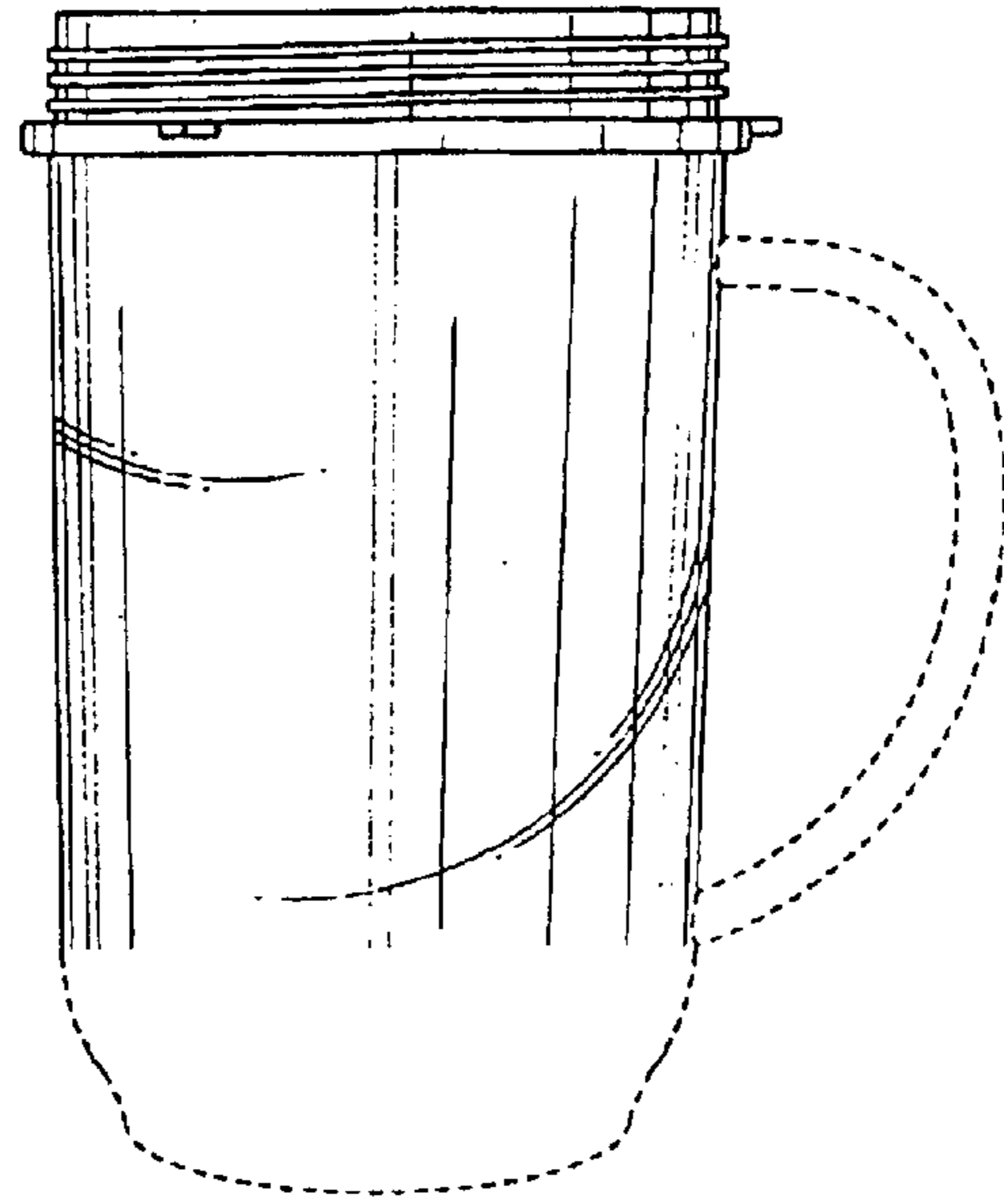


FIG. 4

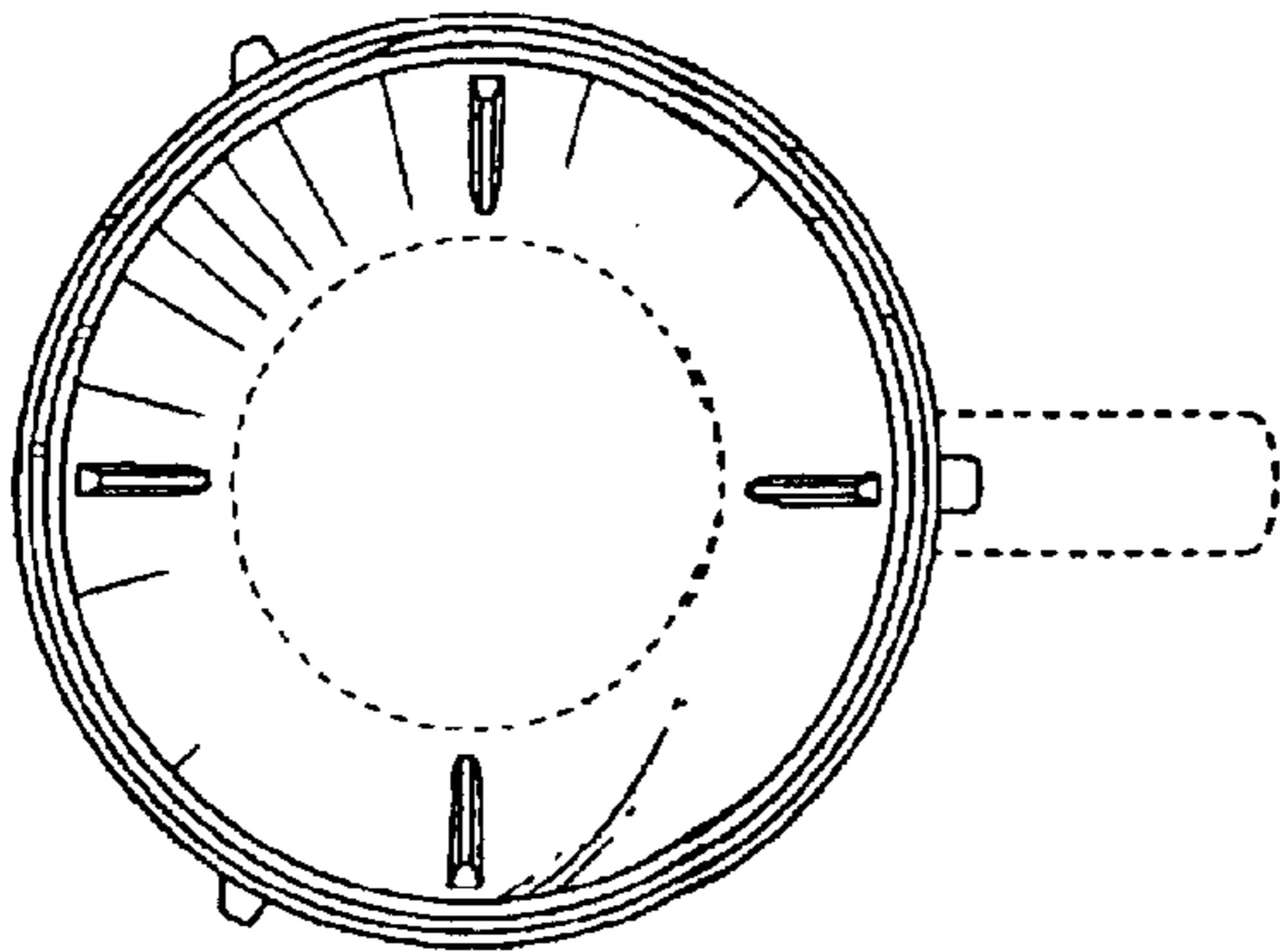


FIG. 2

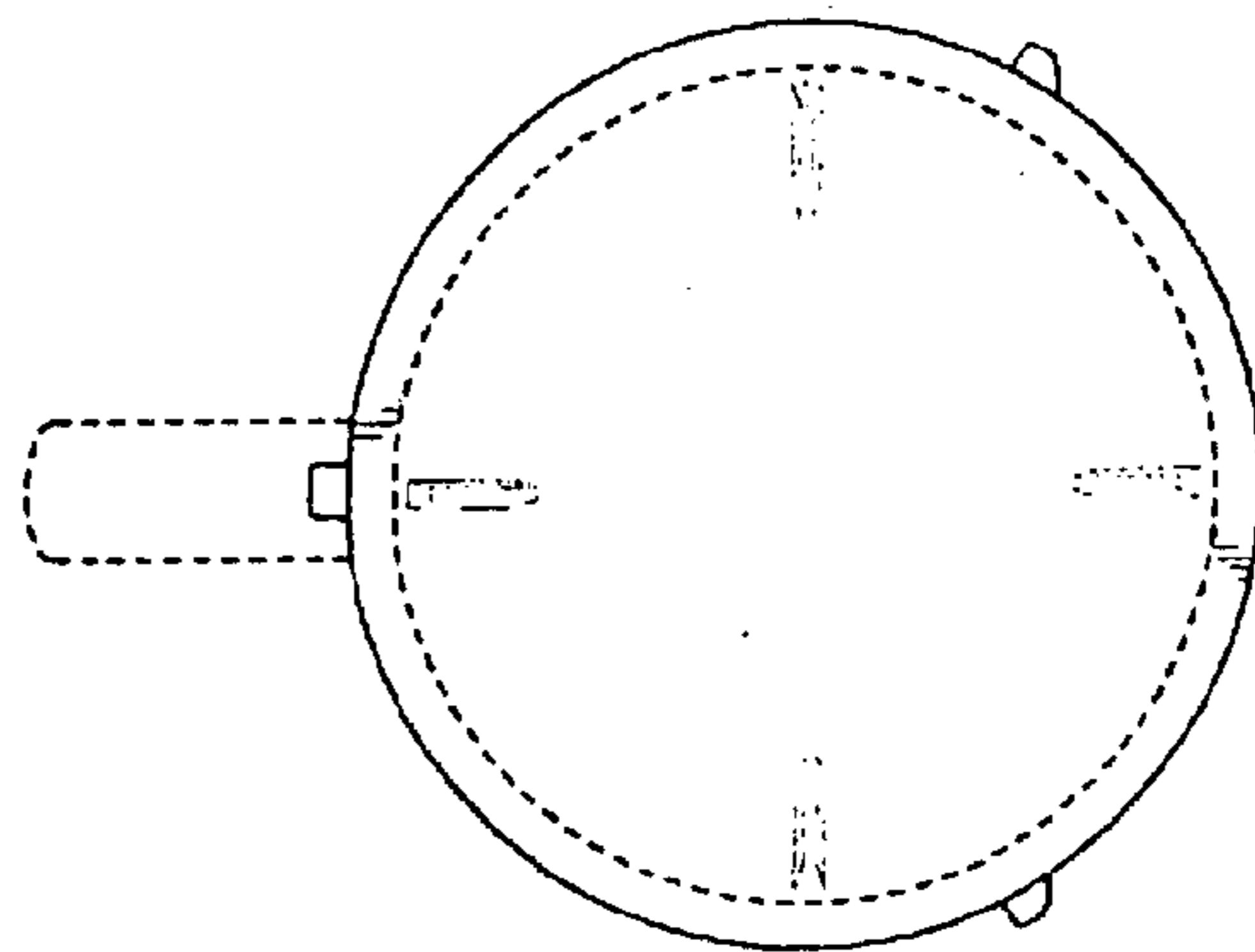


FIG. 3

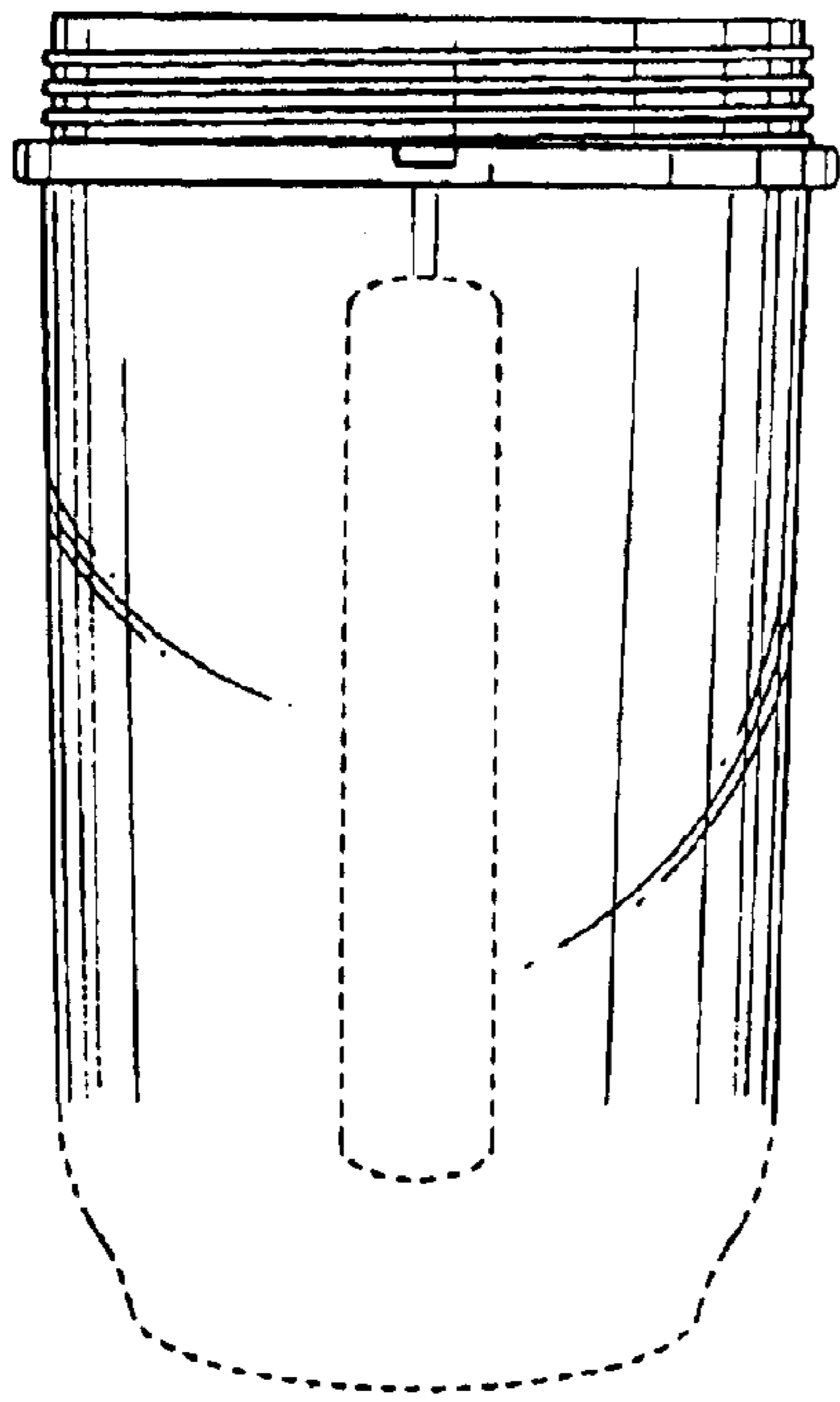


FIG. 5

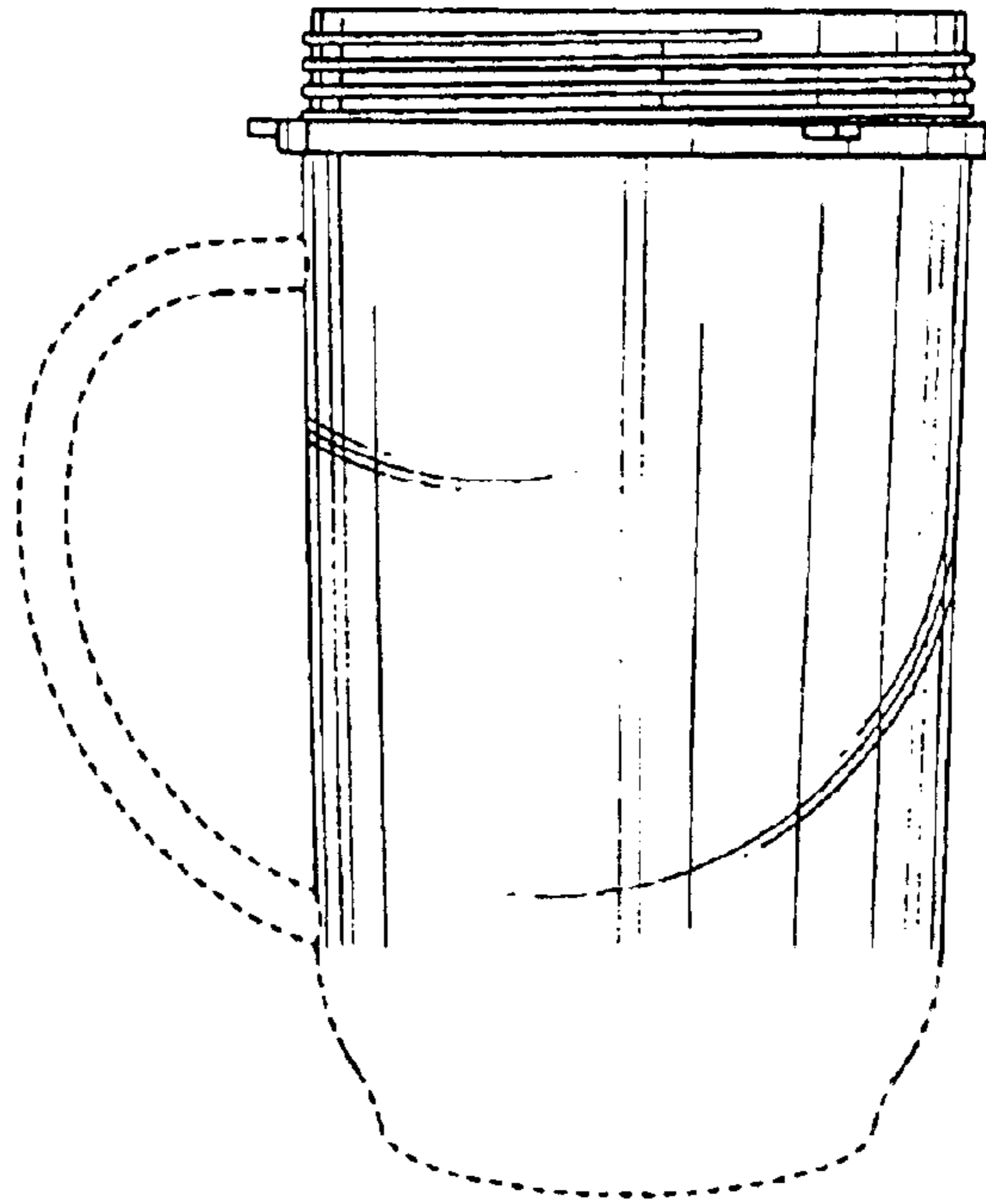


FIG. 6

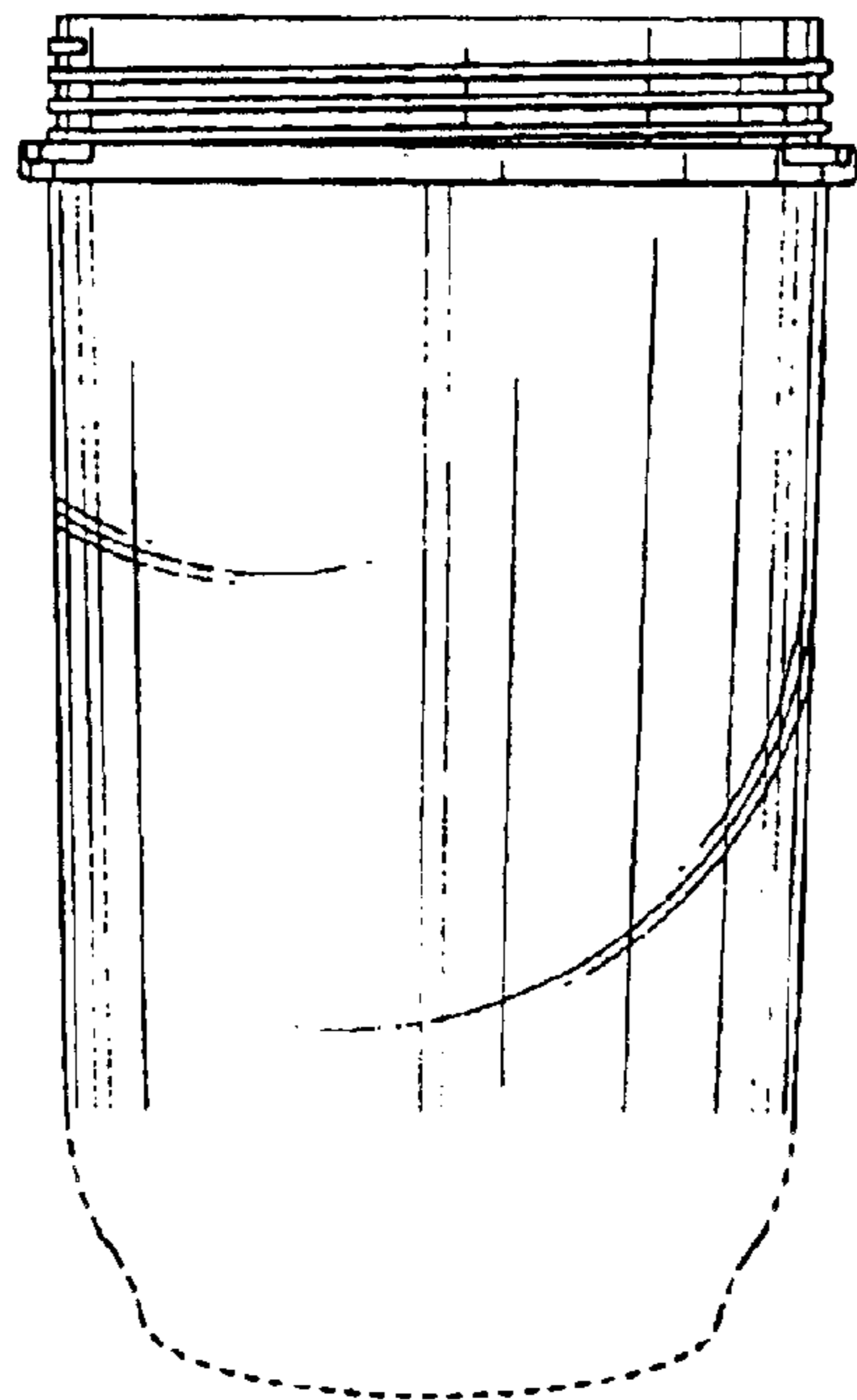


FIG. 7

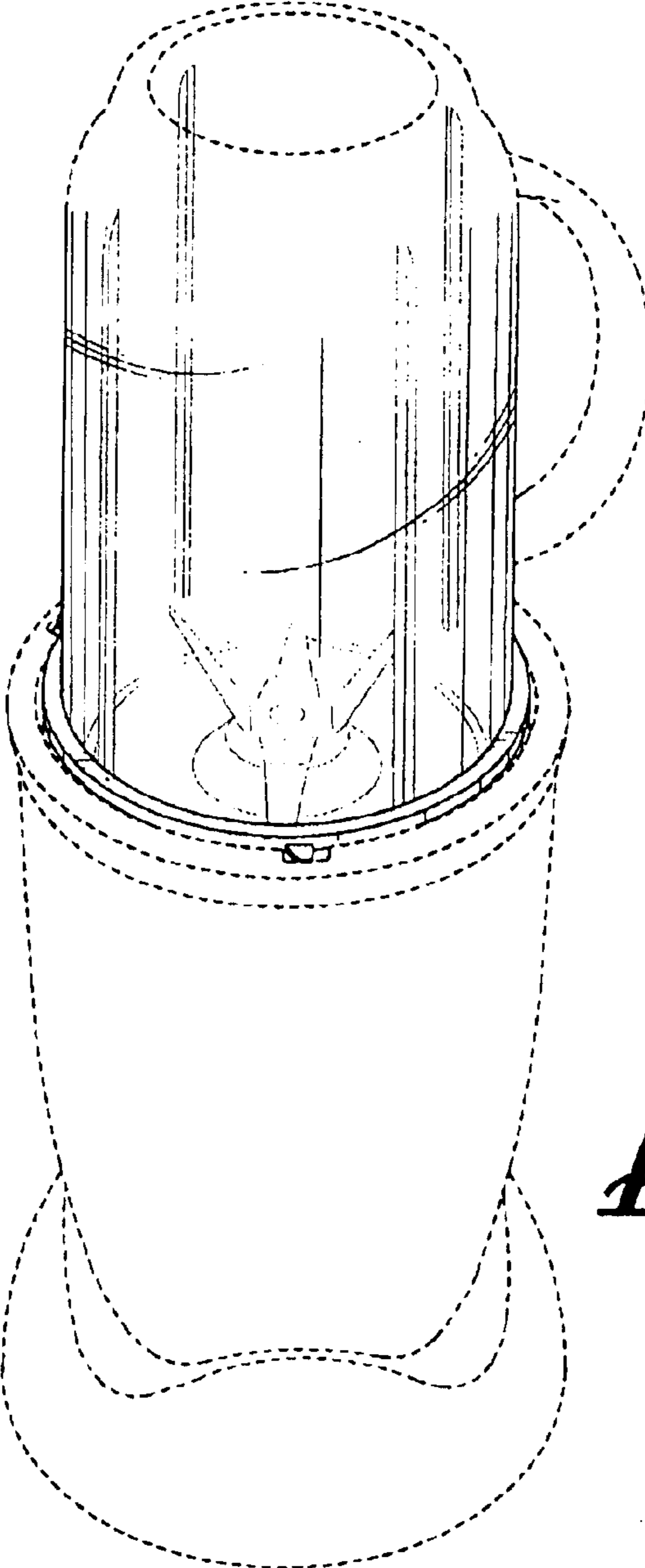


FIG. 8