

US00D500629S

(12) **United States Design Patent** (10) **Patent No.:** **US D500,629 S**
Huggler et al. (45) **Date of Patent:** **** Jan. 11, 2005**

(54) **FOLDING GRIDDLE**

FOREIGN PATENT DOCUMENTS

(75) Inventors: **Peter Huggler**, Columbia, MO (US);
Harold Wayne Rice, Hartsburg, MO (US)

WO WO 00/16676 3/2000

* cited by examiner

(73) Assignee: **Salton, Inc.**, Lake Forest, IL (US)

Primary Examiner—Ruth McInroy

(**) Term: **14 Years**

(74) *Attorney, Agent, or Firm*—Sonnenschein Nath & Rosenthal LLP

(21) Appl. No.: **29/185,194**

(57) **CLAIM**

(22) Filed: **Jun. 25, 2003**

The ornamental design for a folding griddle, as shown and described.

(51) **LOC (7) Cl.** **07-02**

DESCRIPTION

(52) **U.S. Cl.** **D7/352**

(58) **Field of Search** D7/352, 362–367,
D7/402, 409; 99/375, 377, 425; 219/386,
524, 450.1, 452.13, 460.1

FIG. 1 is a front-end perspective view of a folding griddle showing my new design;

FIG. 2 is a rear-end perspective view thereof;

FIG. 3 is a front view thereof;

FIG. 4 is a perspective view showing the folding griddle in an open position thereof;

FIG. 5 is a top plan view of the griddle in an open position;

FIG. 6 is a side view of the griddle in an open position;

FIG. 7 is a side view of the opposite side of FIG. 6;

FIG. 8 is a front-end perspective view of a second embodiment thereof;

FIG. 9 is a rear-end perspective view of FIG. 8;

FIG. 10 is a front view of FIG. 8;

FIG. 11 is a top perspective of FIG. 8 in an open position;

FIG. 12 is a top plan view of FIG. 8 in an open position;

FIG. 13 is a side view of FIG. 8 in an open position;

FIG. 14 is a side view of the opposite side of FIG. 13; and, FIG. 15 is a rear perspective view thereof, the control assembly shown in a different position for clarity of illustration.

The elements shown in broken lines form no part of the claimed design.

(56) **References Cited**

U.S. PATENT DOCUMENTS

1,556,767	A	10/1925	Dodge, Jr.	
2,860,224	A	11/1958	Tammen	
3,814,900	A	* 6/1974	Frey et al.	219/385
D276,971	S	* 1/1985	Potts	D7/352
D335,240	S	* 5/1993	Critchfield et al.	D7/364
D347,548	S	6/1994	Boehm et al.	
5,363,748	A	11/1994	Boehm et al.	
D367,993	S	* 3/1996	McClellan	D7/352
5,606,905	A	3/1997	Boehm et al.	
5,845,562	A	12/1998	Deni et al.	
5,848,567	A	12/1998	Chiang	
D405,312	S	* 2/1999	Hoare	D7/352
6,016,741	A	1/2000	Tsai et al.	
D446,679	S	* 8/2001	Lin	D7/352
6,369,366	B1	* 4/2002	Mullen	219/450.1
6,526,873	B2	3/2003	Brady	
6,776,085	B1	* 8/2004	Tang	99/375

1 Claim, 15 Drawing Sheets

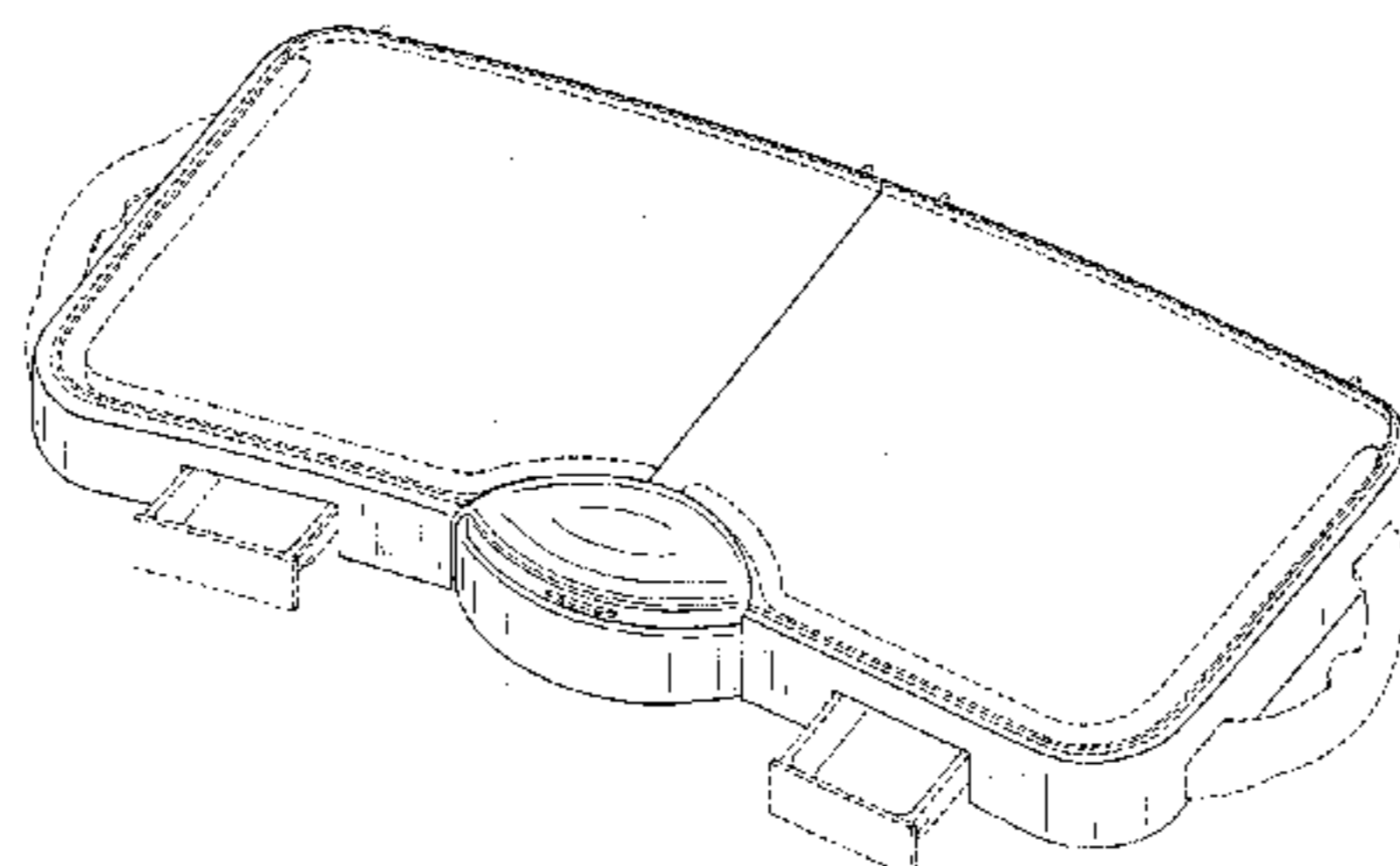
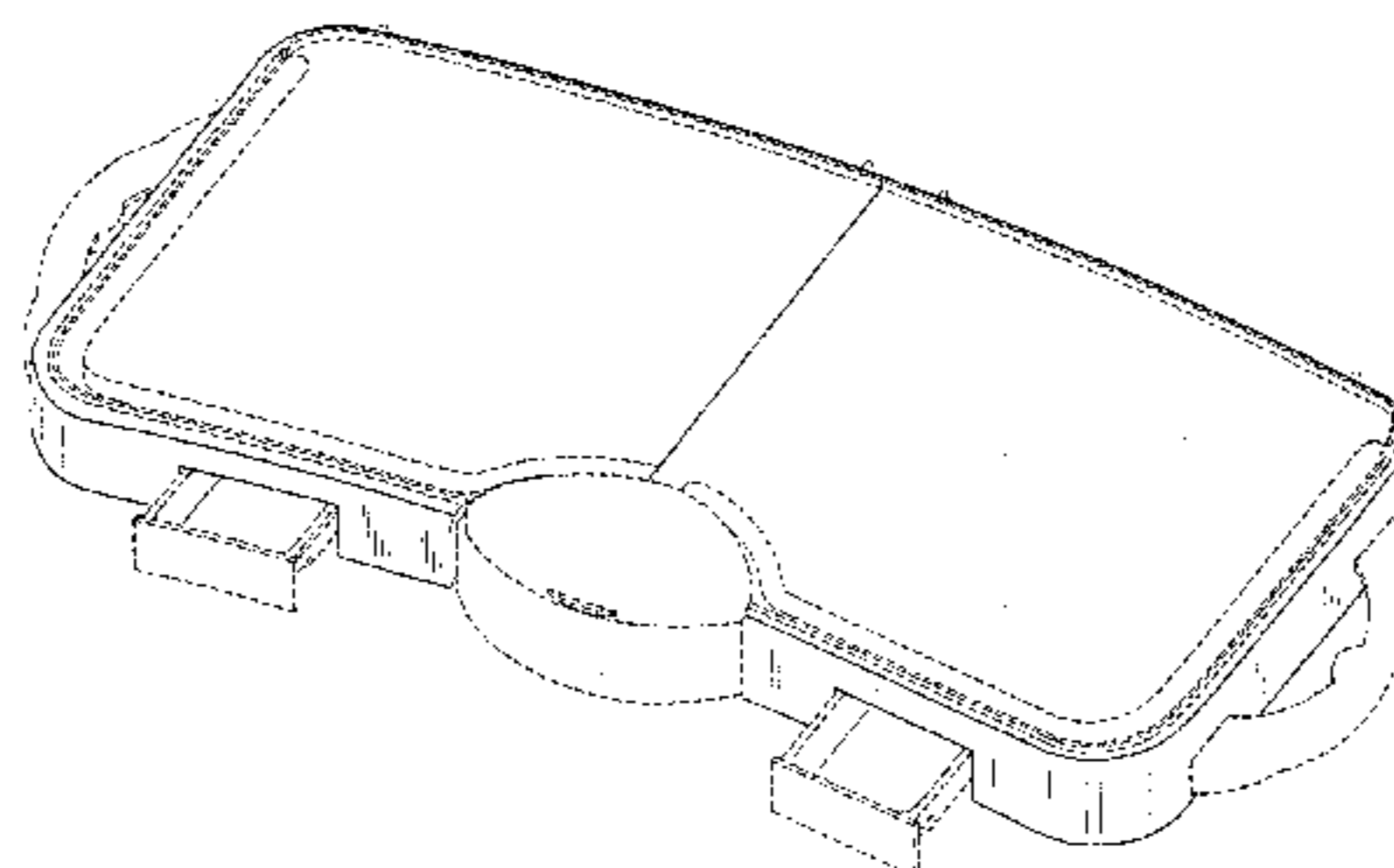


FIG. 1

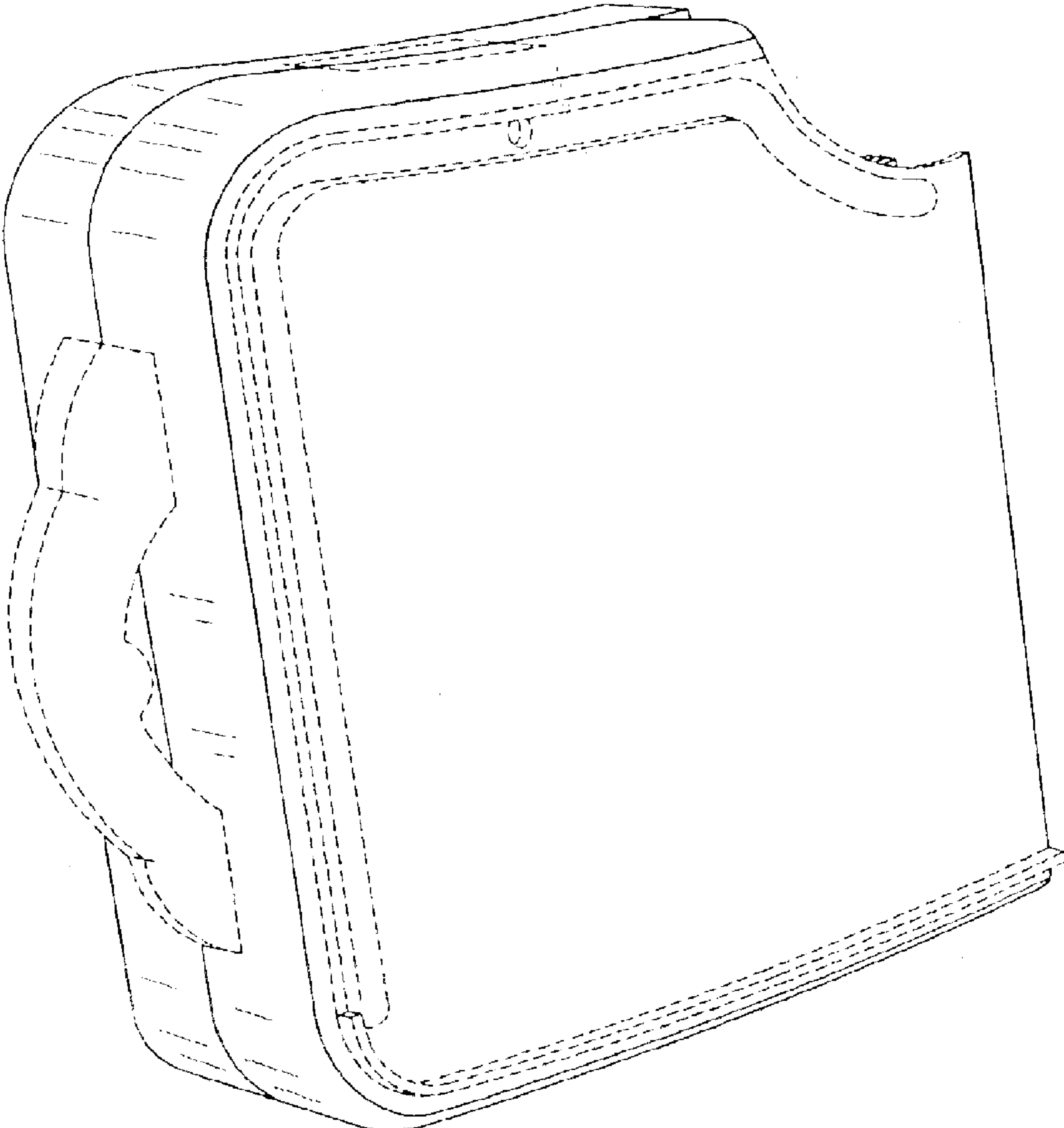


FIG. 2

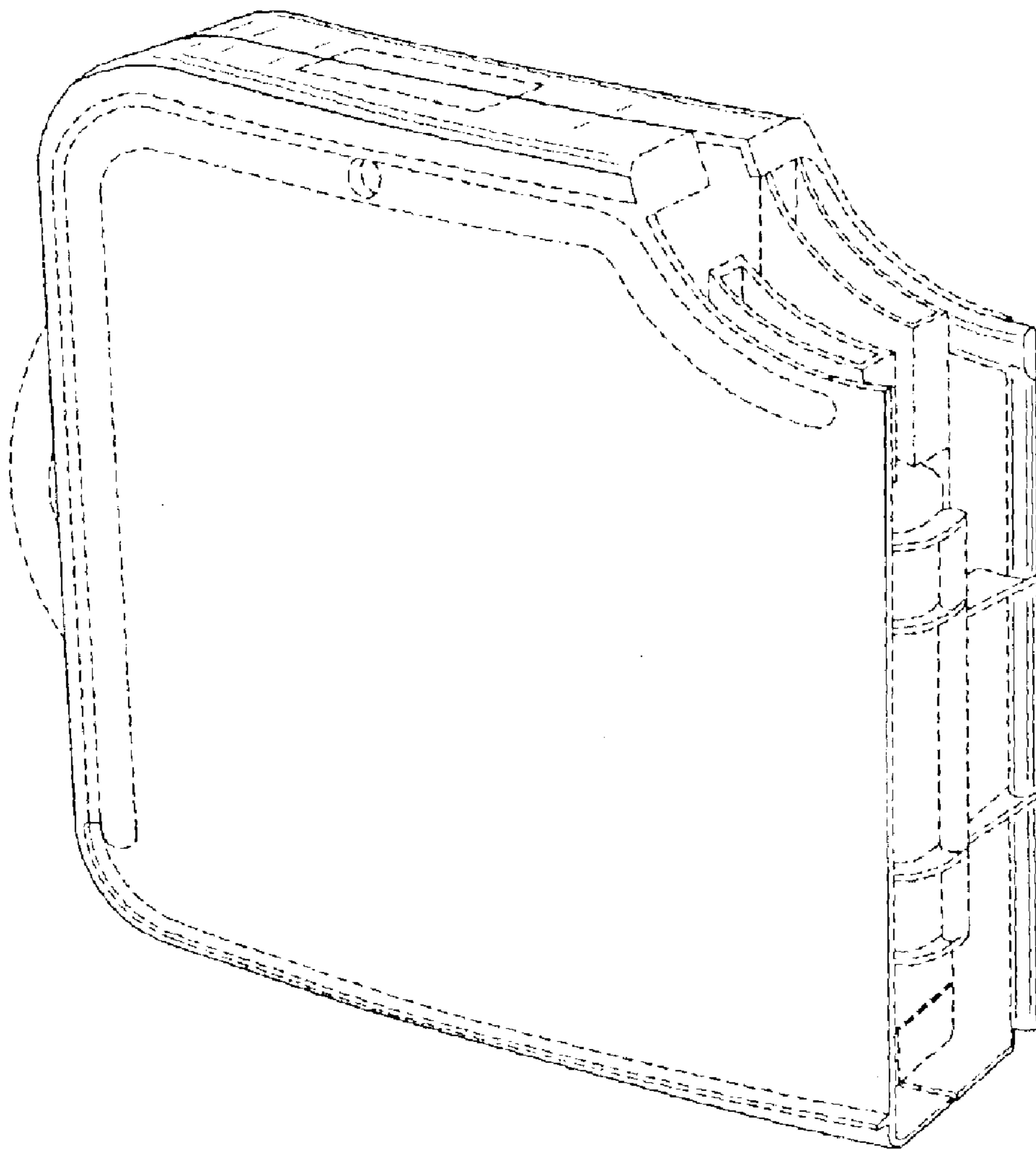


FIG. 3

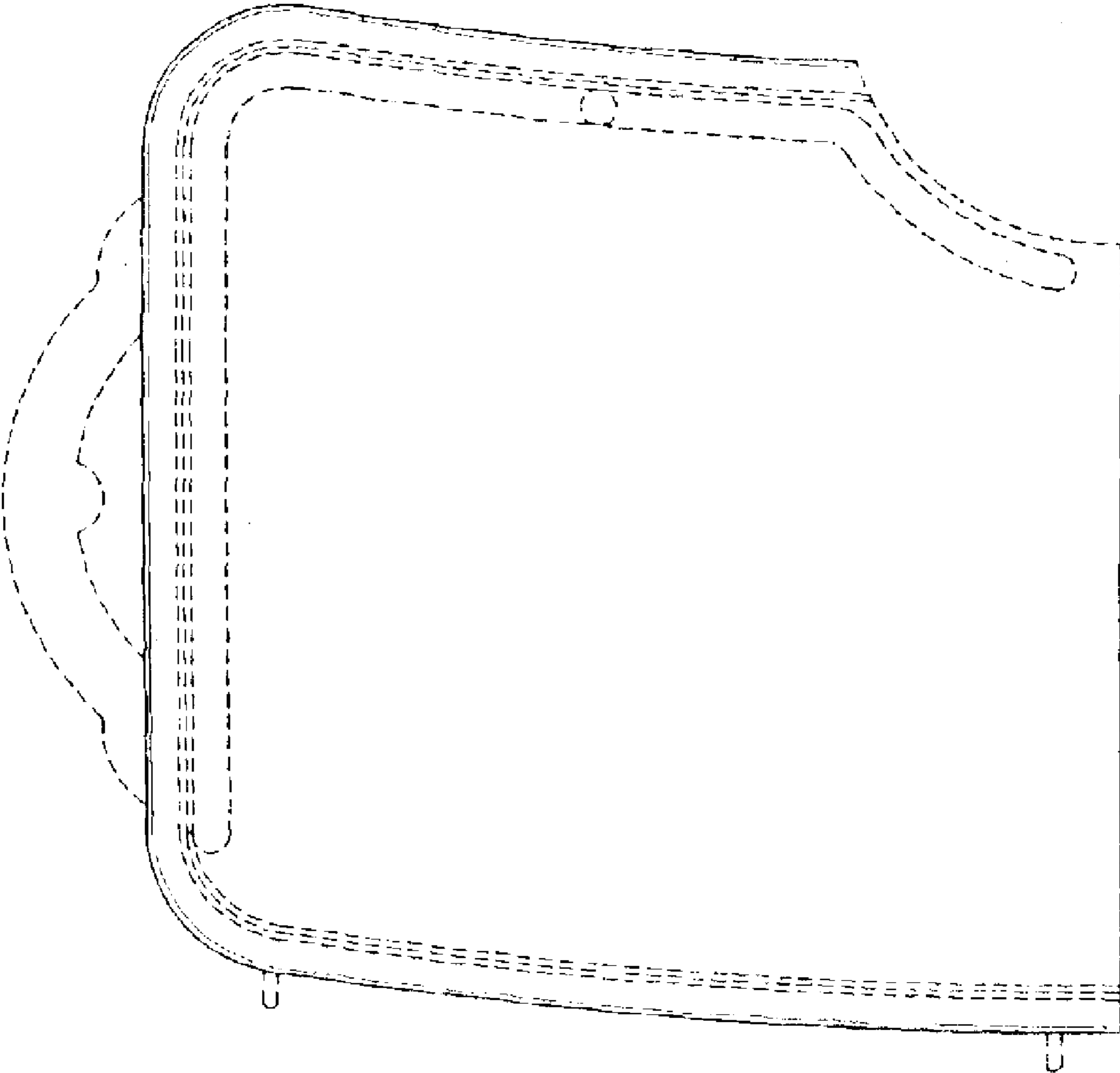


FIG. 4

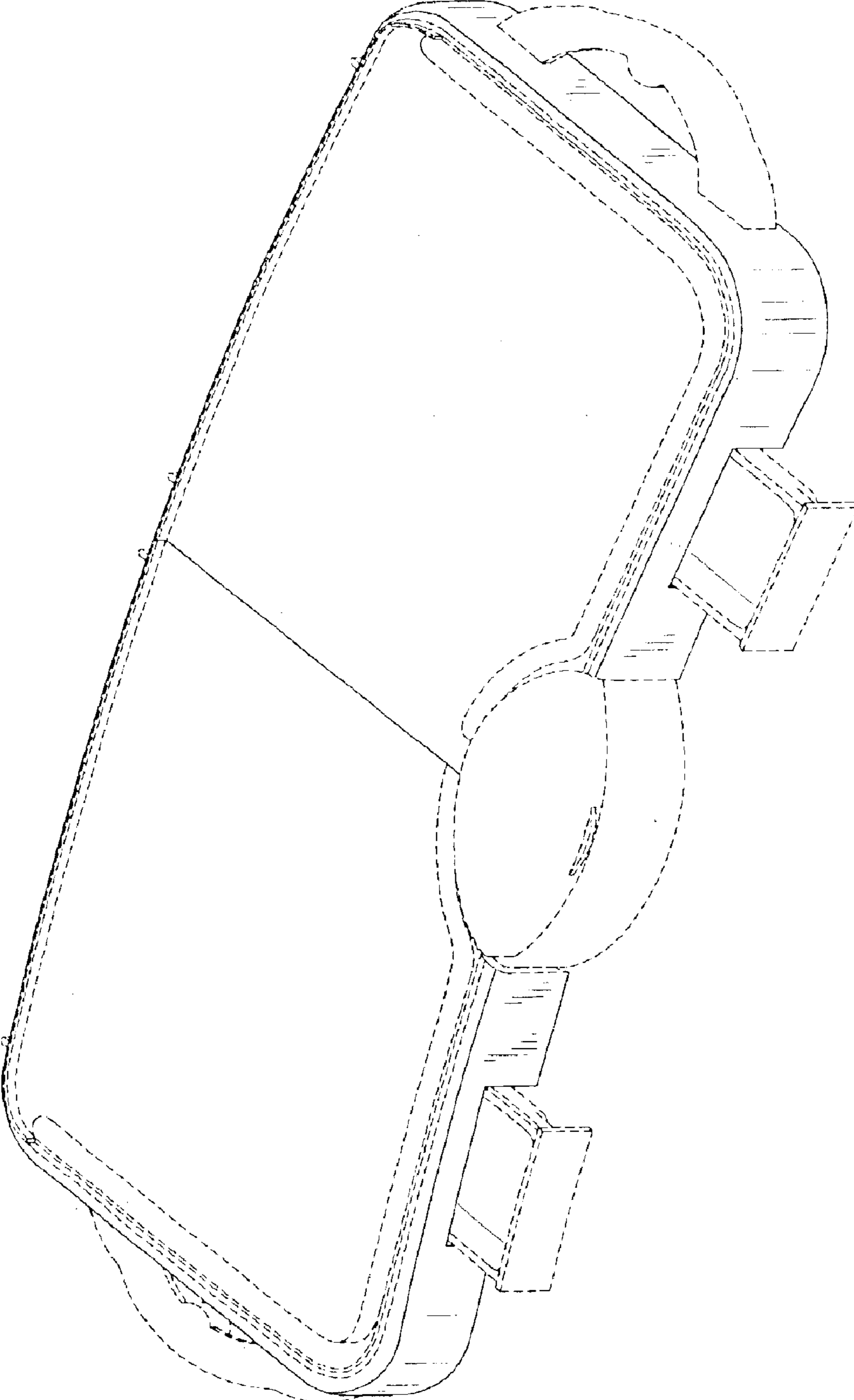


FIG. 5

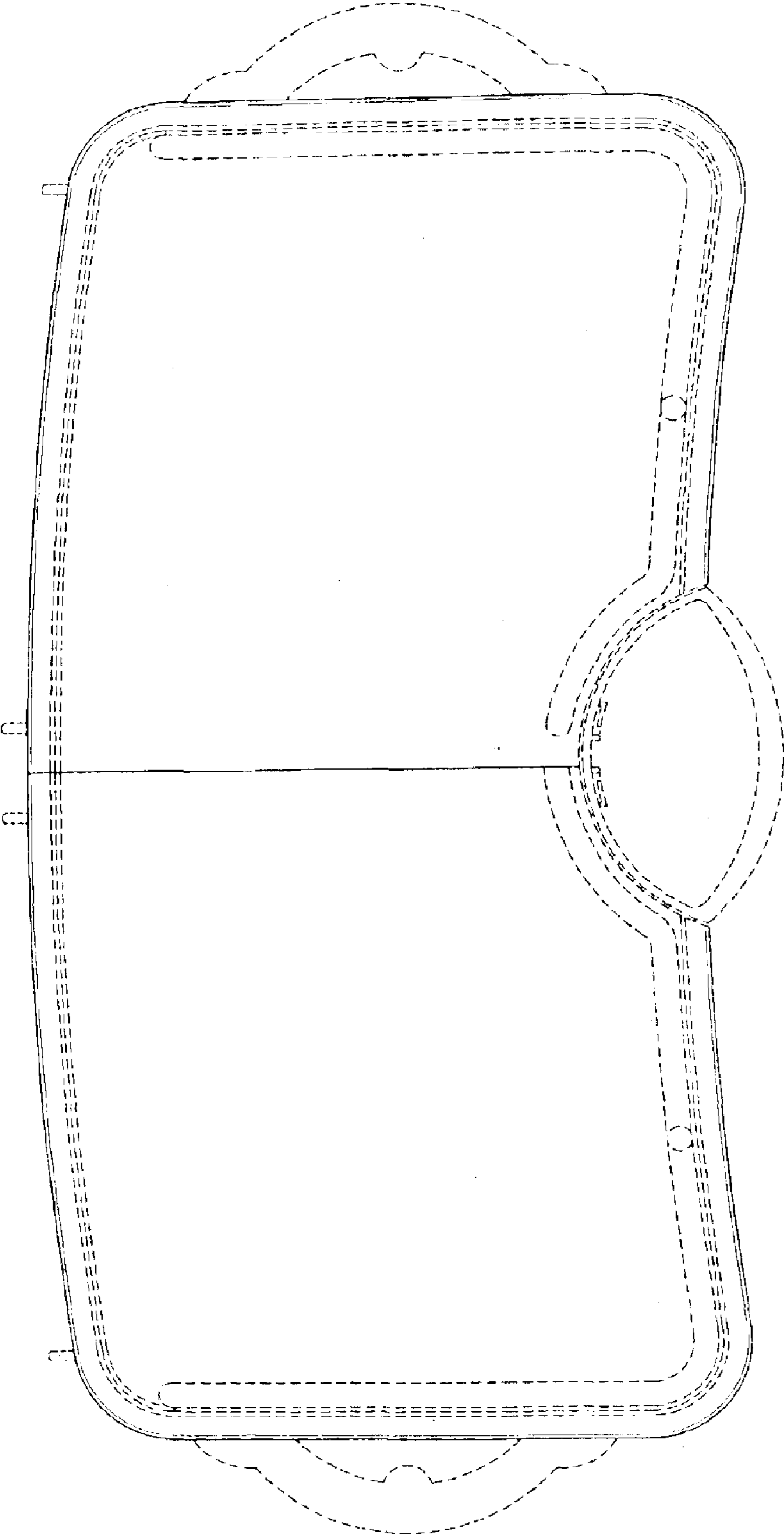


FIG. 6

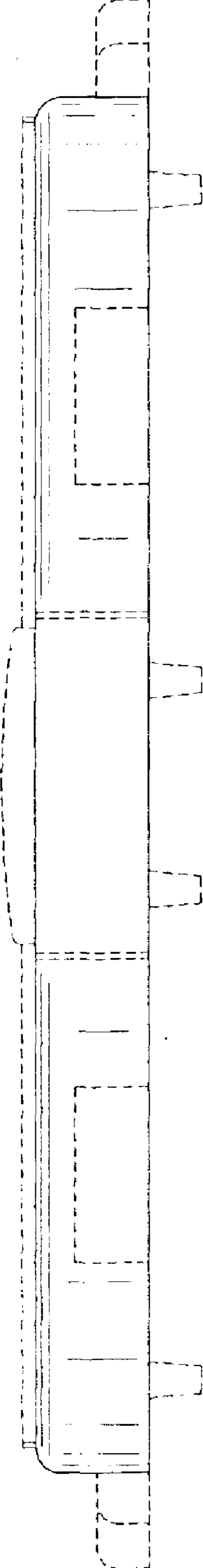


FIG. 7

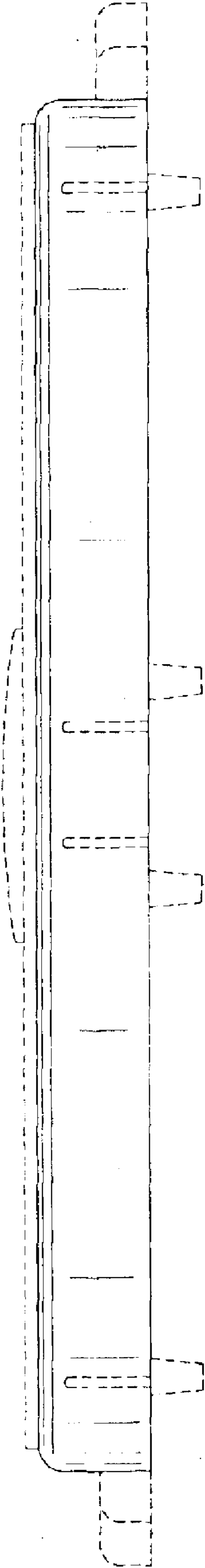


FIG. 8

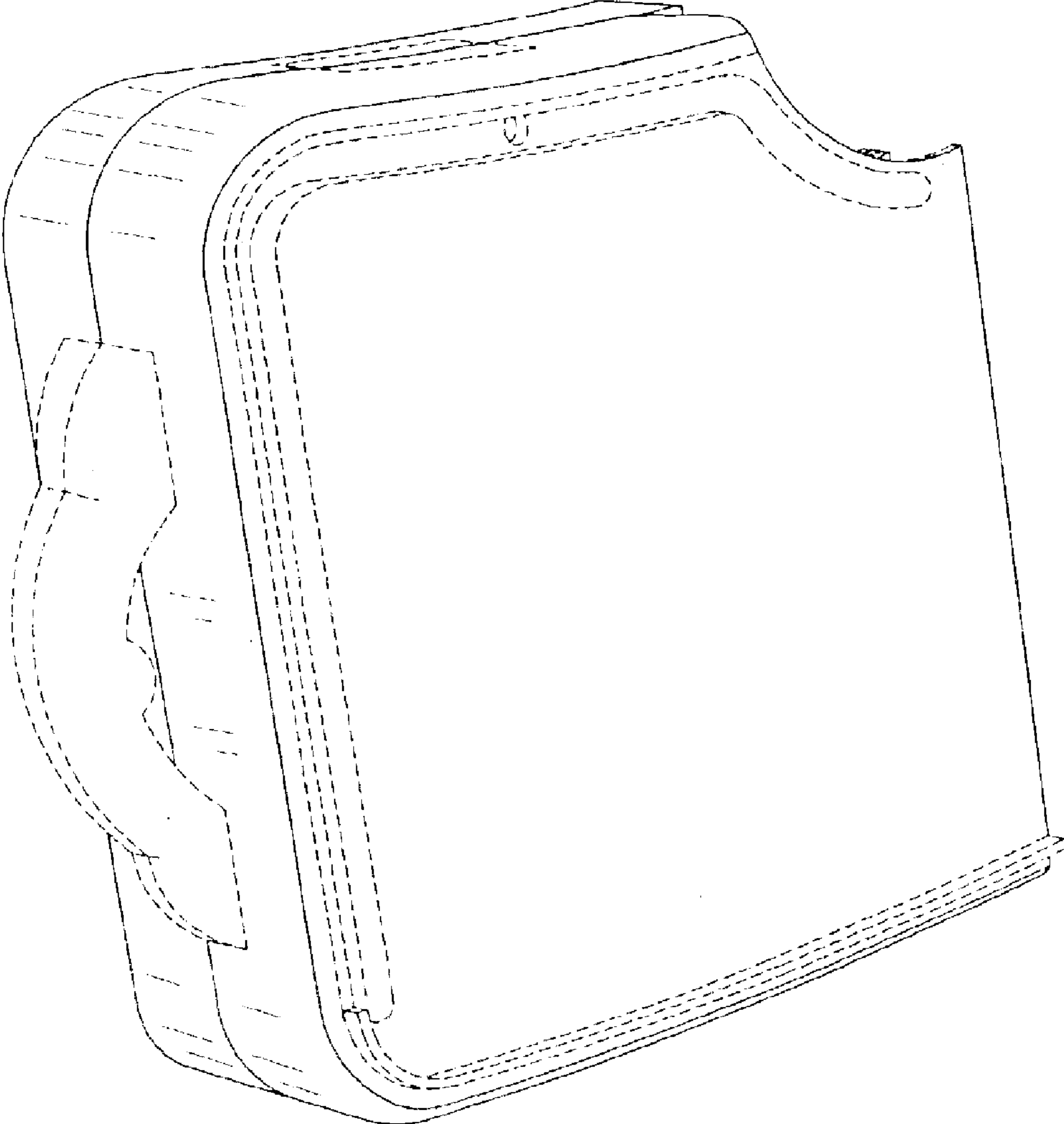


FIG. 9

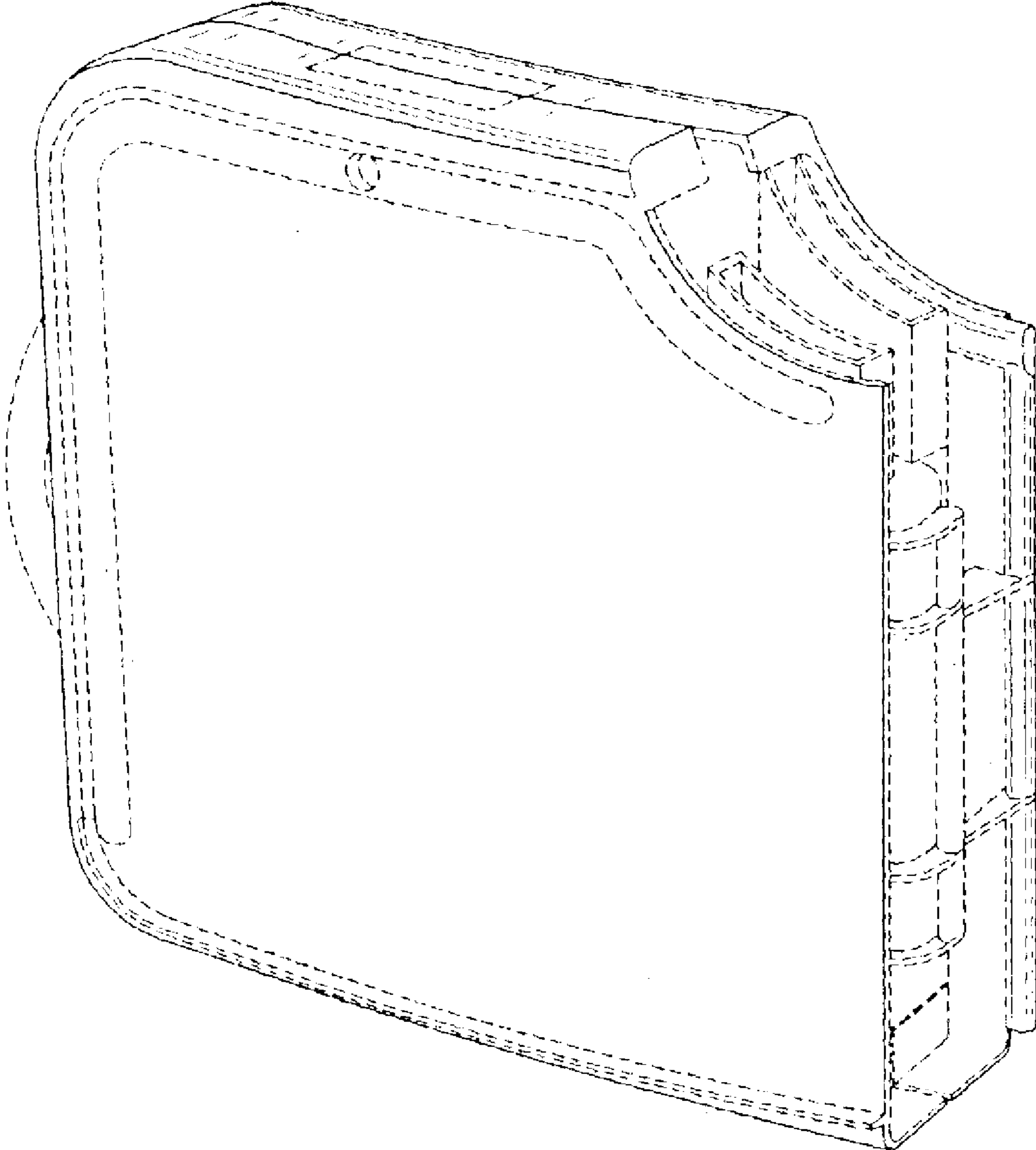


FIG. 10

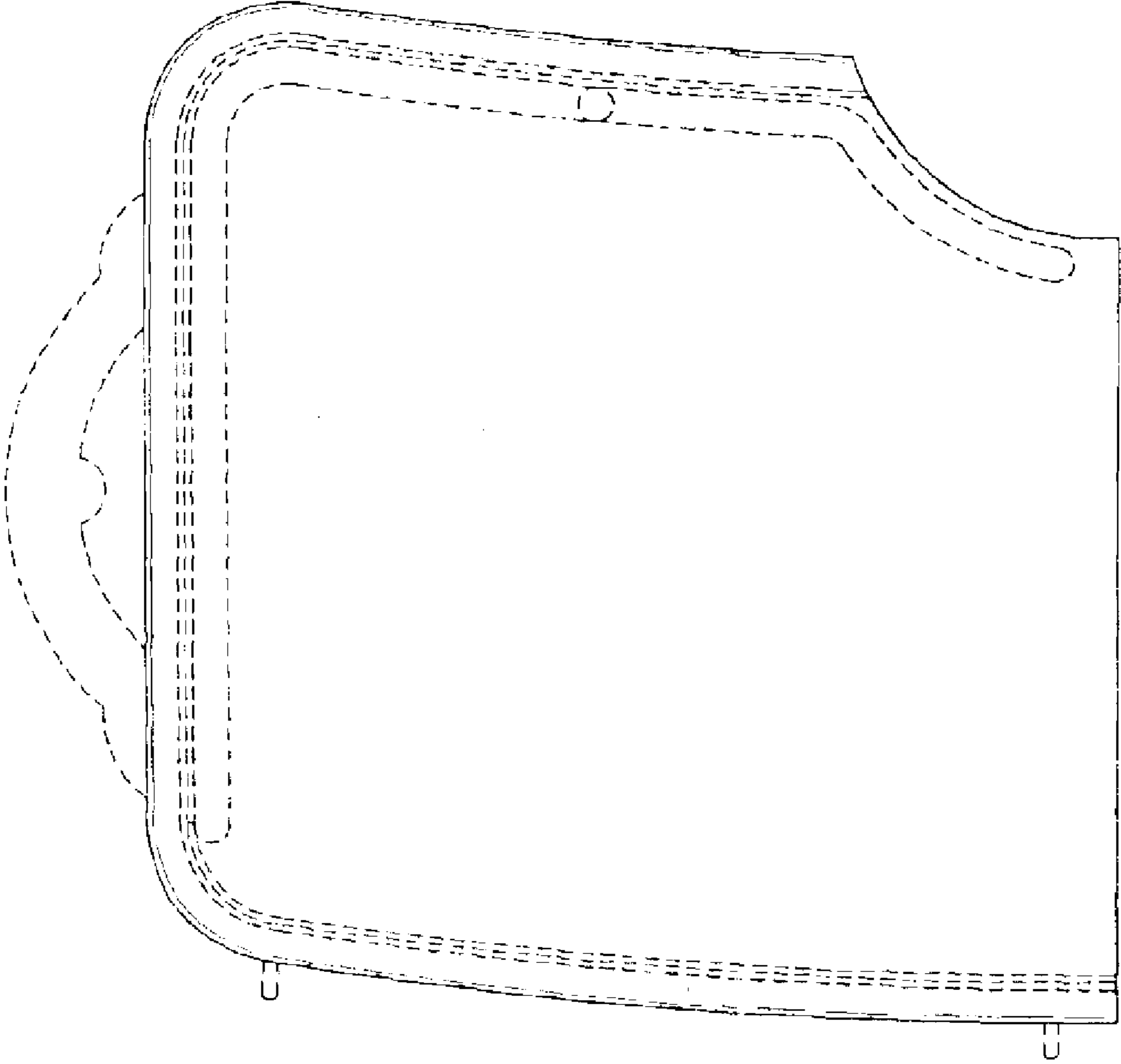


FIG. 11

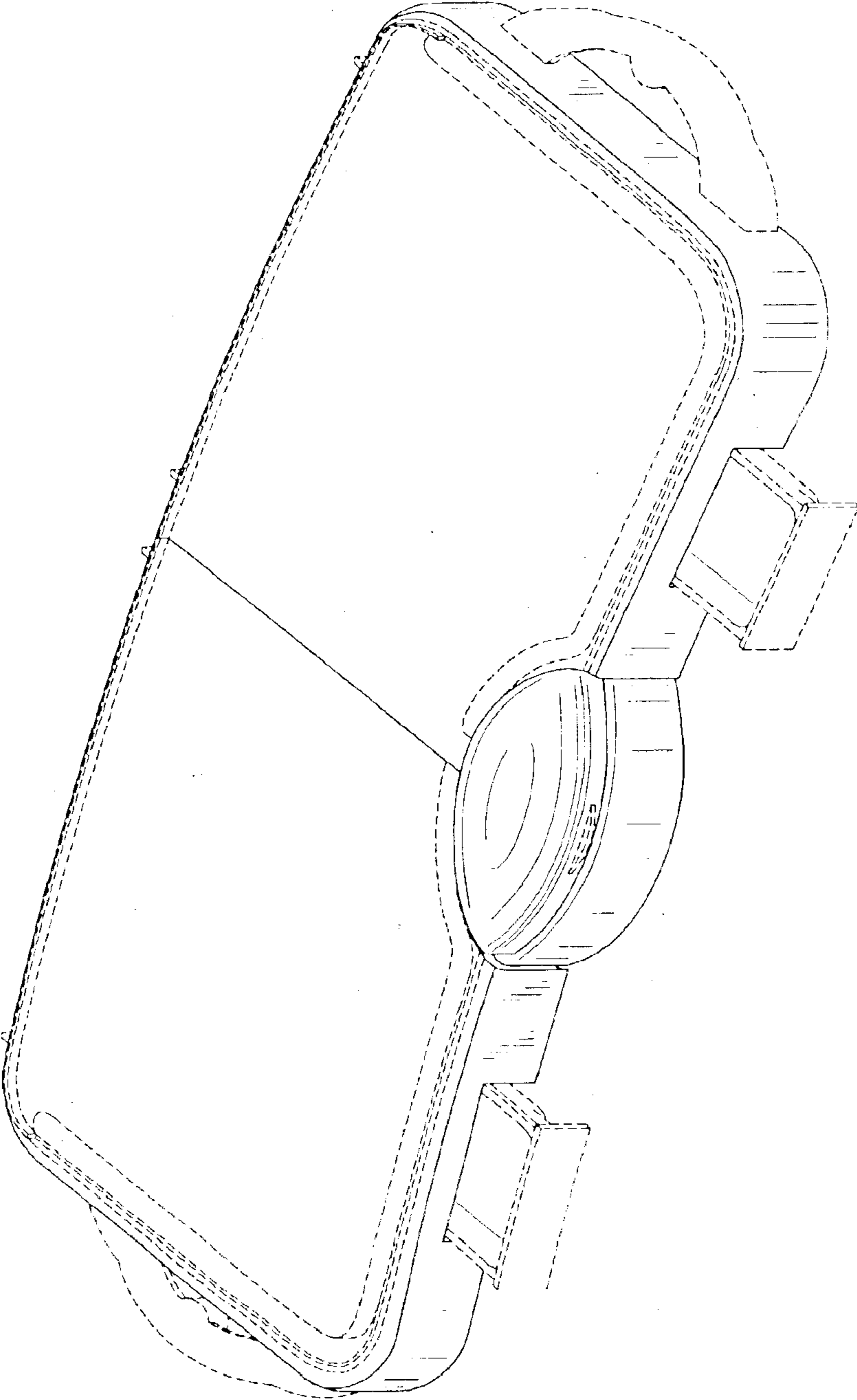


FIG. 12

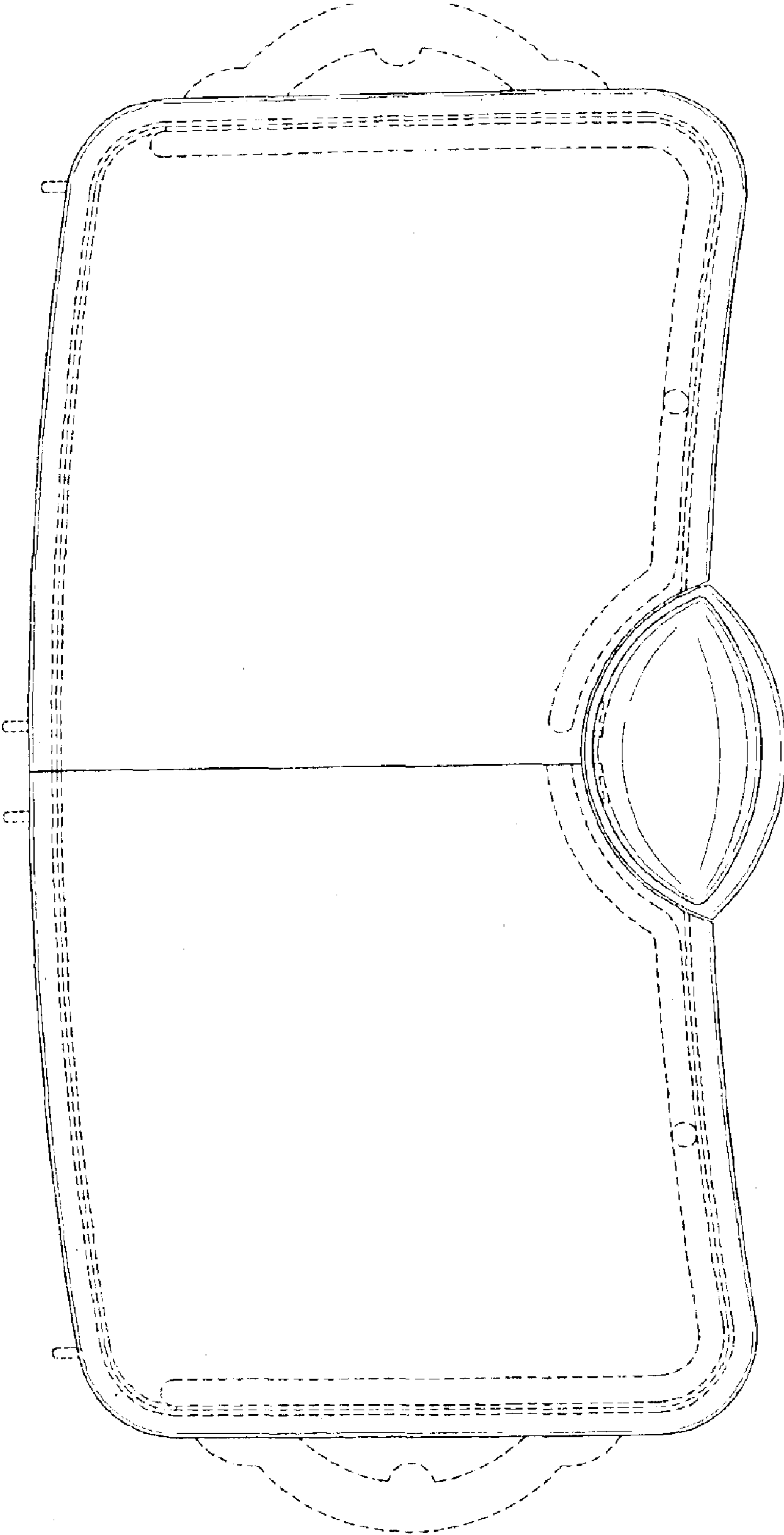


FIG. 13

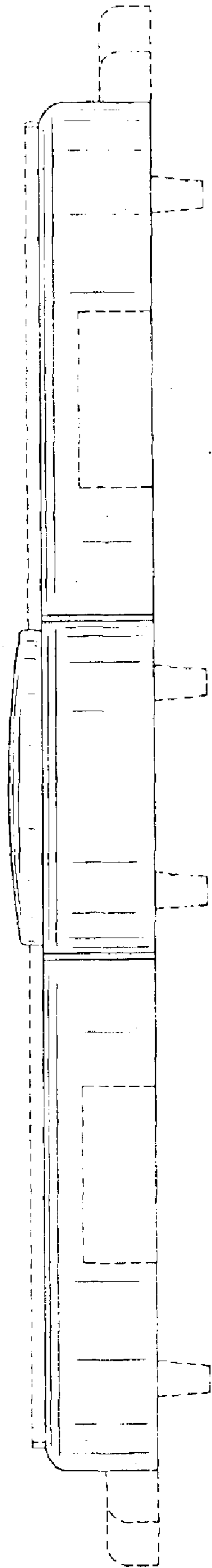


FIG. 14

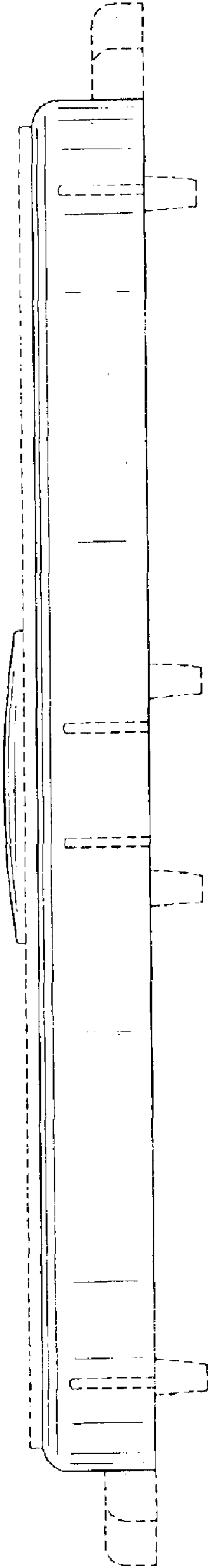


FIG. 15

