

US00D500628S

(12) **United States Design Patent**  
**Laundroche et al.**

(10) **Patent No.:** **US D500,628 S**  
(45) **Date of Patent:** **\*\* Jan. 11, 2005**

(54) **COOKTOP WITH BACK SPLASH**

6,297,482 B1 10/2001 Becker ..... 219/445.1

(75) Inventors: **Kevin S. Laundroche**, Anchorage, KY  
(US); **Frank Pennisi**, Louisville, KY  
(US)

\* cited by examiner

*Primary Examiner*—Catherine R. Oliver  
(74) *Attorney, Agent, or Firm*—H. Neil Houser, Esq.;  
Armstrong Teasdale LLP

(73) Assignee: **General Electric Company**,  
Schenectady, NY (US)

(57) **CLAIM**

(\*\*) Term: **14 Years**

We claim the ornamental design for a cooktop with back splash, as shown and described.

(21) Appl. No.: **29/196,518**

**DESCRIPTION**

(22) Filed: **Dec. 30, 2003**

(51) **LOC (7) Cl.** ..... **07-02**

FIG. 1 is a top perspective view of a cooktop with back splash showing our new design.

(52) **U.S. Cl.** ..... **D7/346**

FIG. 2 is a front view of the cooktop with back splash shown in FIG. 1.

(58) **Field of Search** ..... D7/346, 339, 340,  
D7/342, 347, 402, 407-409; 126/39 B,  
211, 217, 218, 214 C, 214 R, 215-216;  
219/458, 460, 464, 538, 552

FIG. 3 is a right elevation view of the cooktop with back splash shown in FIG. 1.

FIG. 4 is a left elevation view of the cooktop with back splash shown in FIG. 1; and,

FIG. 5 is a top plan view of the cooktop with back splash shown in FIG. 1.

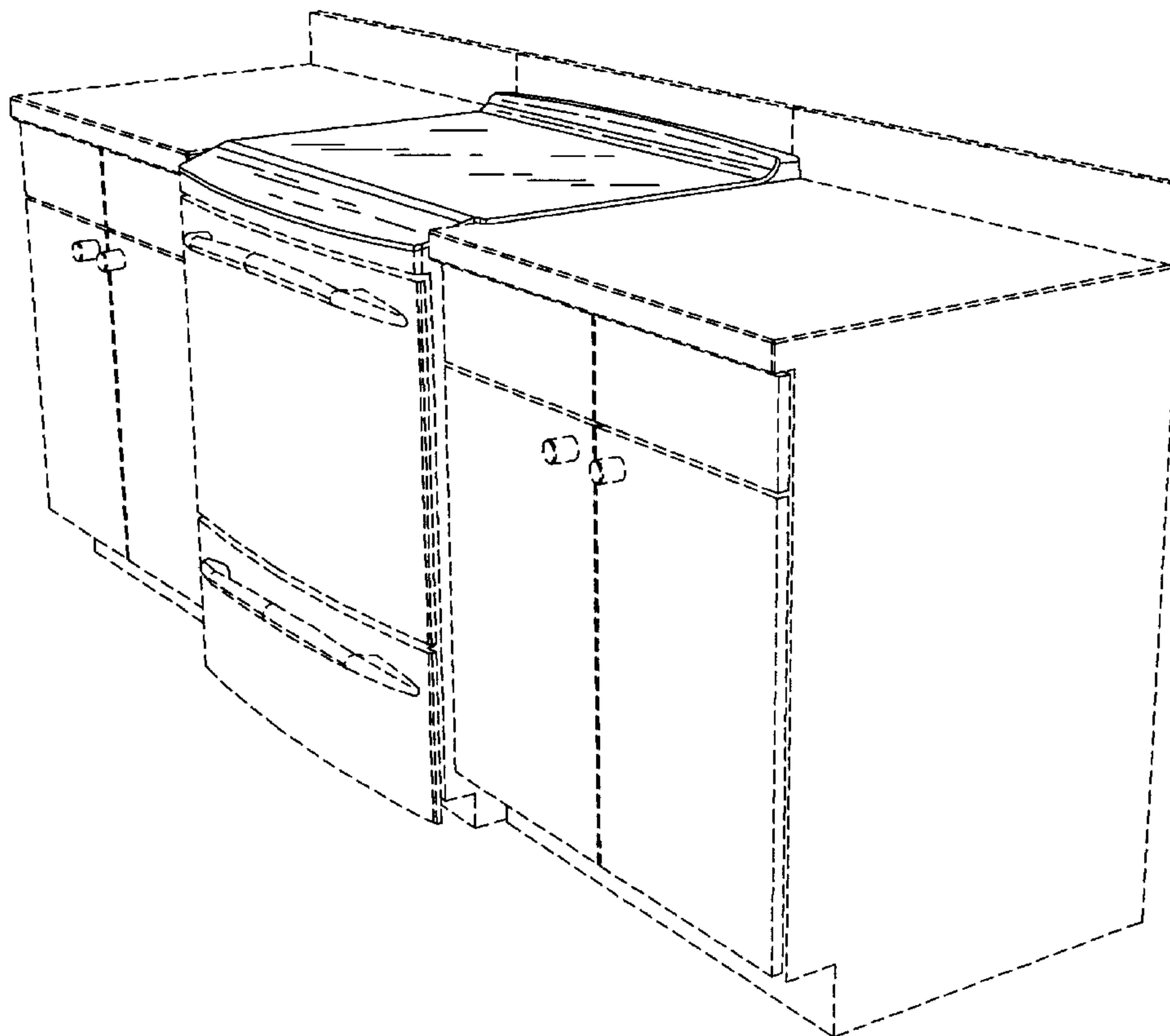
The broken line showing of environment in the drawings is for illustrative purposes only and forms no part of the claimed design.

(56) **References Cited**

**U.S. PATENT DOCUMENTS**

- 2,771,873 A \* 11/1956 Baker, Jr. .... 126/214 R
- D230,812 S \* 3/1974 Bruce ..... D7/346
- D277,449 S \* 2/1985 Vetter et al. .... D7/346
- D422,839 S \* 4/2000 Marchand ..... D7/405

**1 Claim, 5 Drawing Sheets**



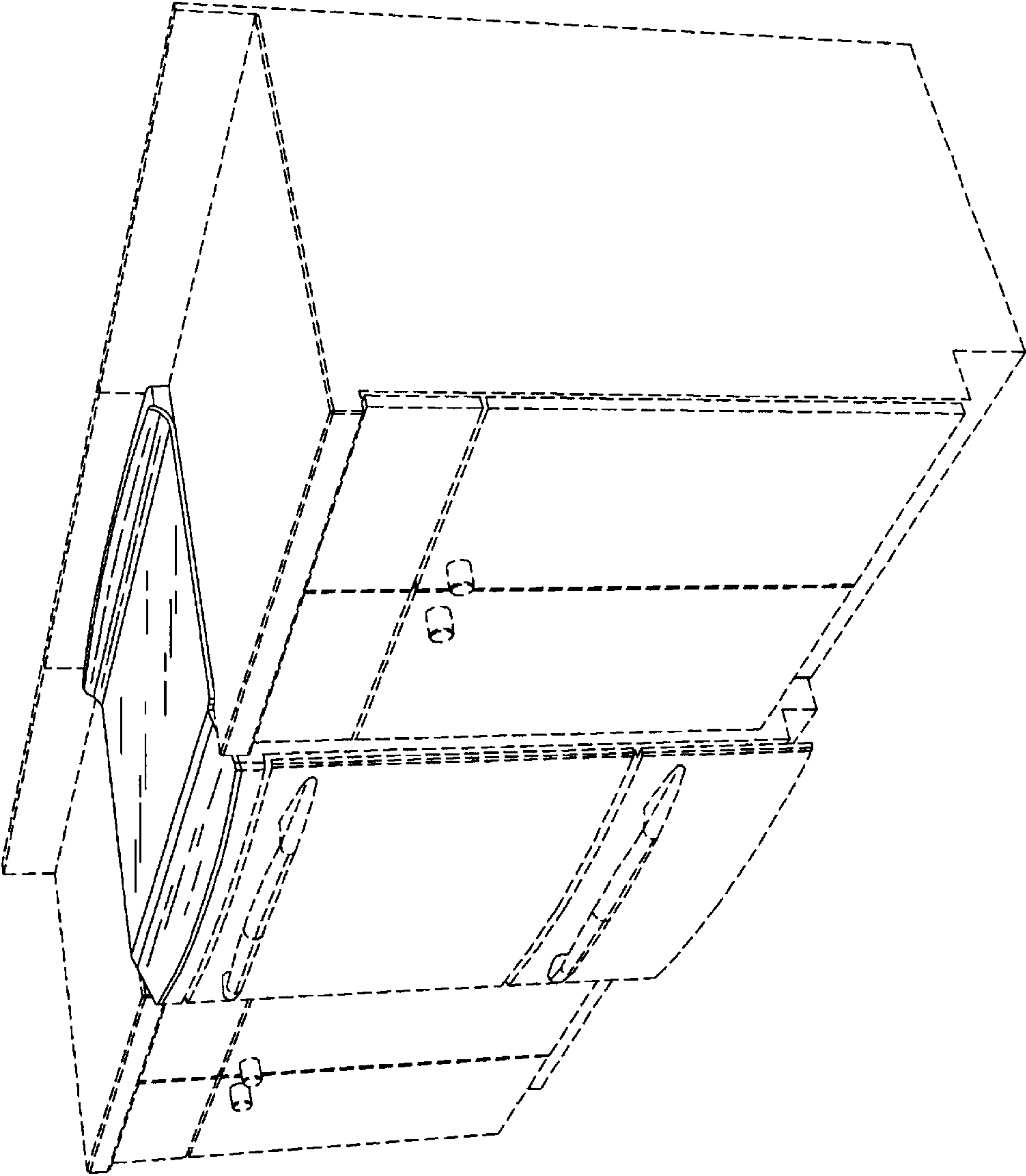


FIG. 1

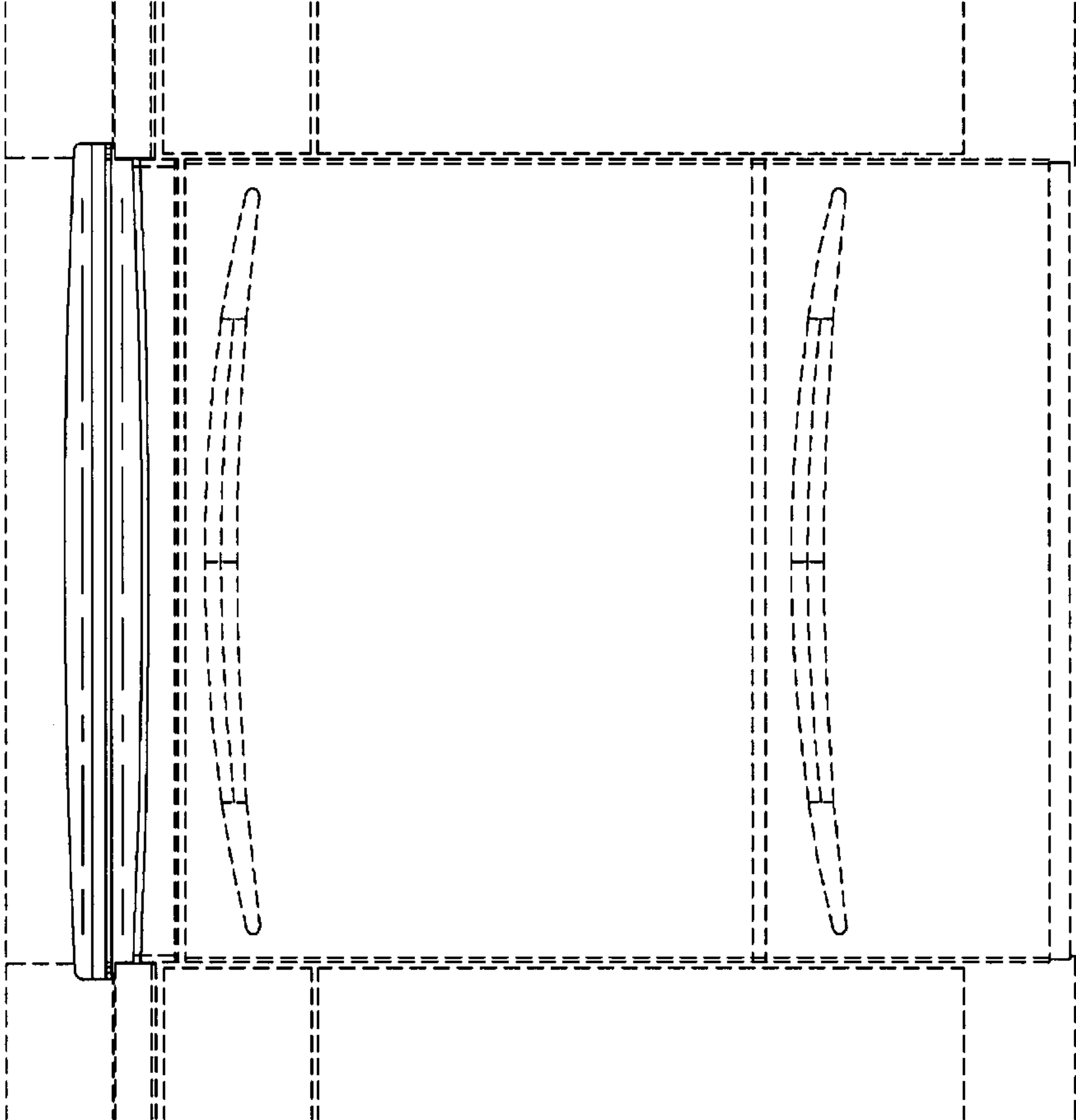


FIG. 2

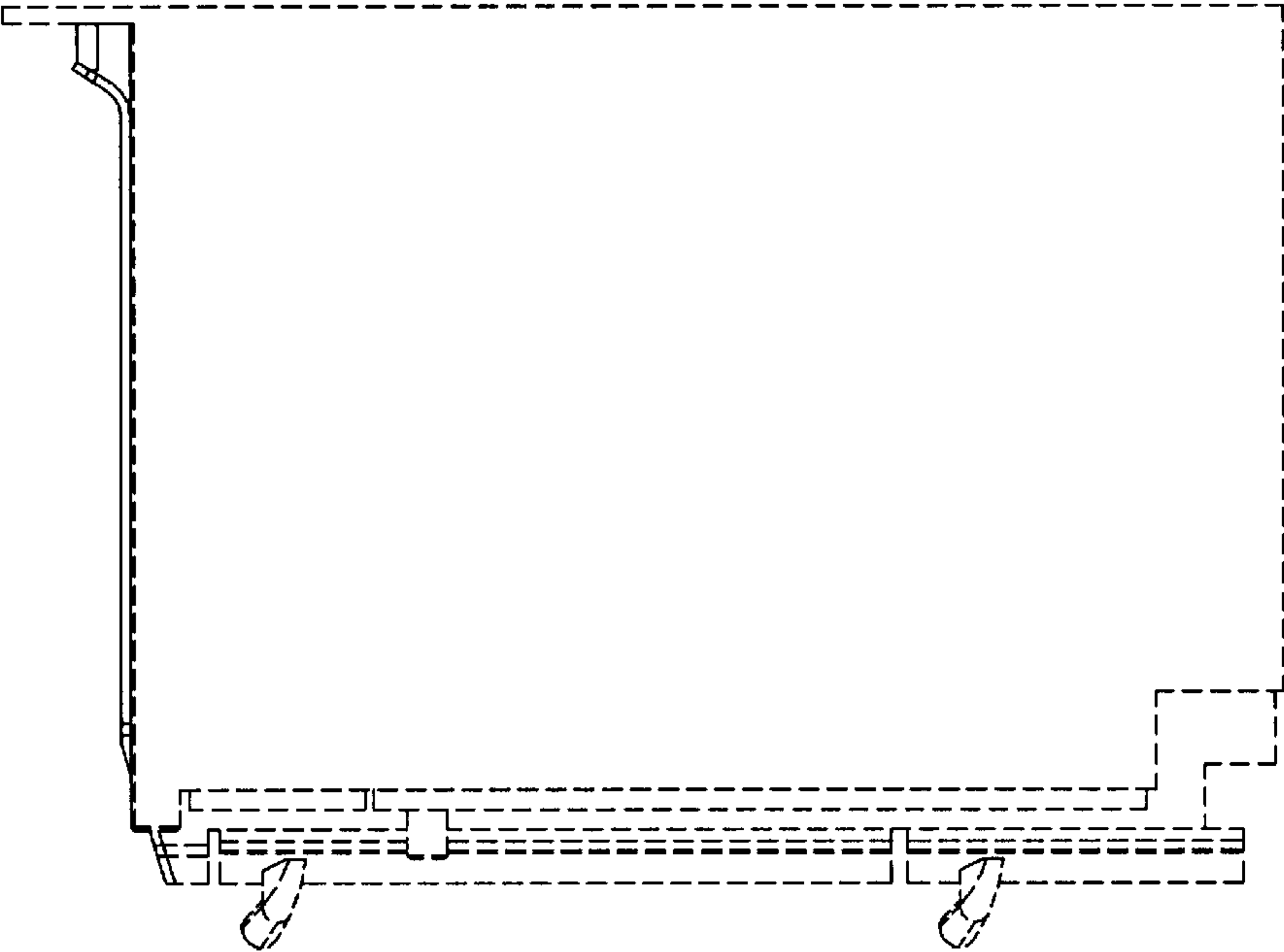


FIG. 3

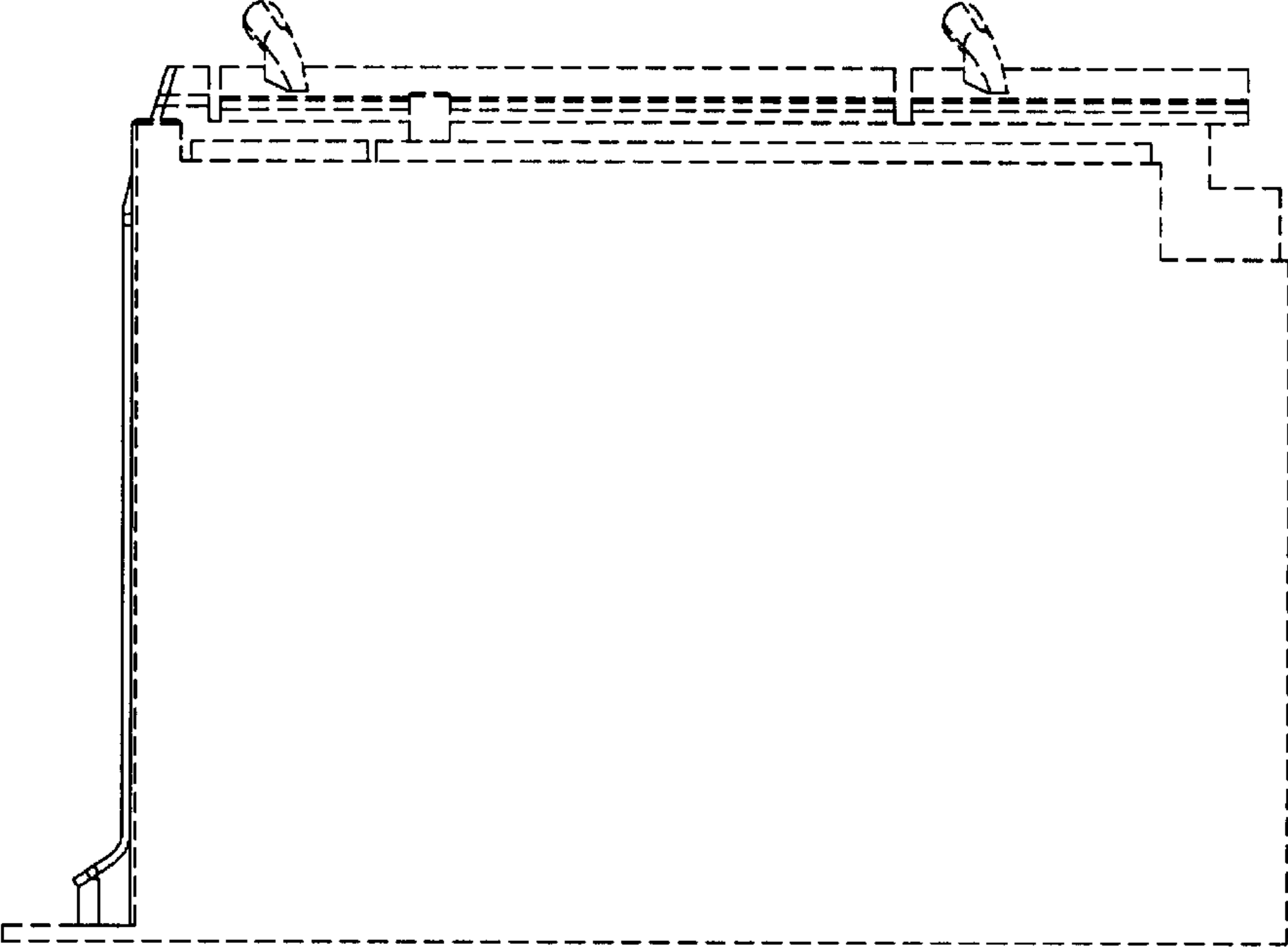


FIG. 4

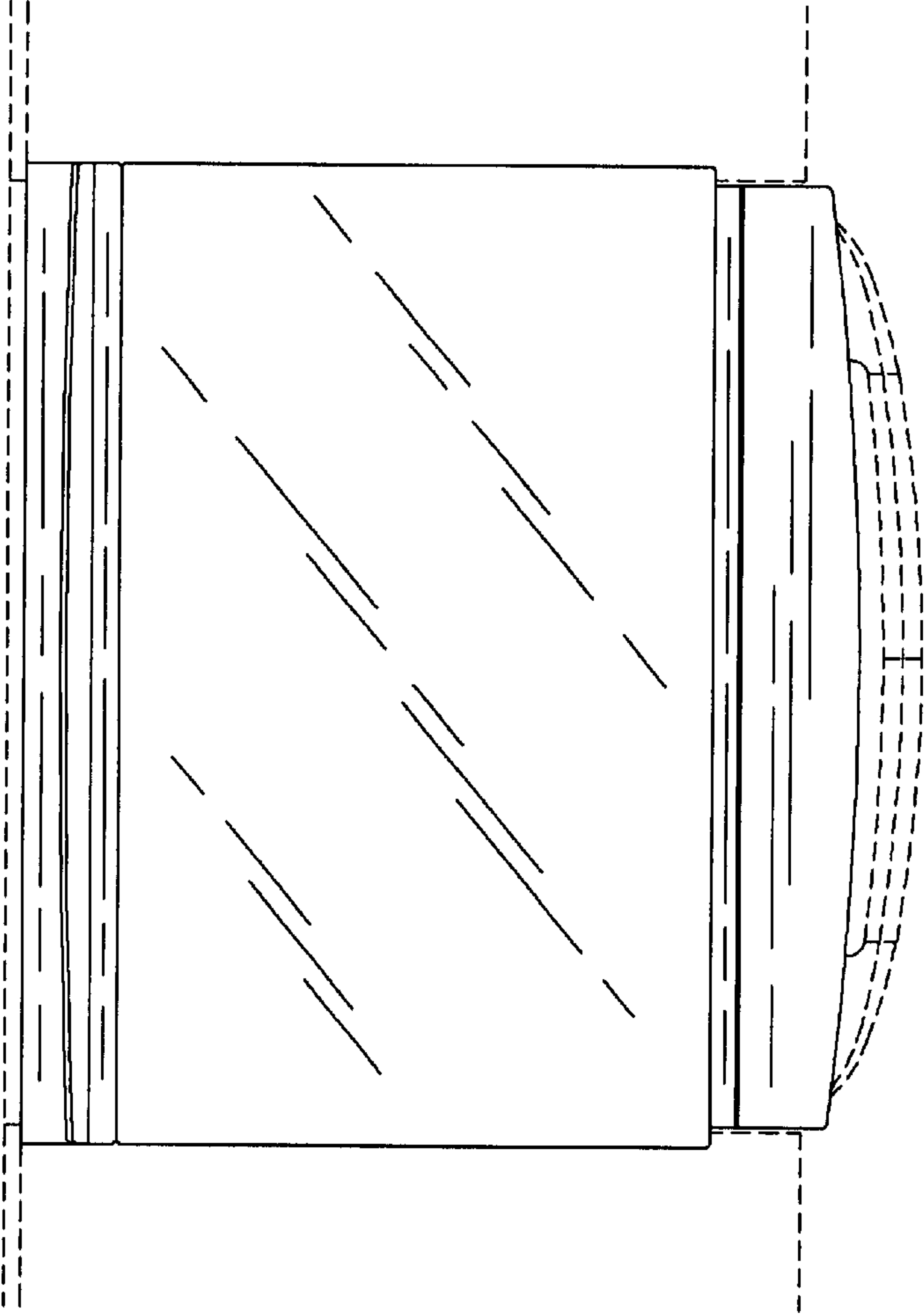


FIG. 5