

US00D500626S

(12) **United States Design Patent**
Ranzoni

(10) **Patent No.:** **US D500,626 S**
(45) **Date of Patent:** **** Jan. 11, 2005**

(54) **PLUNCHER**
(75) **Inventor:** **Francesco Ranzoni, Chiari (IT)**
(73) **Assignee:** **Bialetti Industrie S.p.A., Omegna (IT)**
(**) **Term:** **14 Years**
(21) **Appl. No.:** **29/177,130**
(22) **Filed:** **Mar. 5, 2003**

(30) **Foreign Application Priority Data**

Sep. 6, 2002 (WO) DMA/005910

(51) **LOC (7) Cl.** **07-01**
(52) **U.S. Cl.** **D7/317; D7/319**
(58) **Field of Search** D7/300, 312, 316,
D7/317, 318, 319, 322; 220/504, 300; 215/398,
12.1; 222/189, 465.1, 144.5; 210/282

(56) **References Cited**

U.S. PATENT DOCUMENTS

D236,177 S * 8/1975 Reyda D7/317
D236,179 S * 8/1975 Greger D7/317
D308,460 S * 6/1990 Balzano D7/317
D316,206 S * 4/1991 Daenen et al. D7/317
D342,414 S * 12/1993 Jorgensen D7/317
D343,333 S * 1/1994 Jorgensen D7/317

D372,627 S * 8/1996 Ireland D7/319
D377,132 S * 1/1997 Jørgensen D7/318
D386,040 S * 11/1997 Joergensen D7/317
D447,379 S * 9/2001 DiNunzio et al. D7/376
D448,235 S * 9/2001 Jørgensen D7/319
D448,601 S * 10/2001 Yeh D7/319
D448,602 S * 10/2001 Bodum D7/319
D448,603 S * 10/2001 Yeh D7/319
D449,760 S * 10/2001 Yeh D7/319
D449,957 S * 11/2001 Yeh D7/319

* cited by examiner

Primary Examiner—M. N. Pandozzi

(74) *Attorney, Agent, or Firm*—Hogan & Hartson L.L.P.

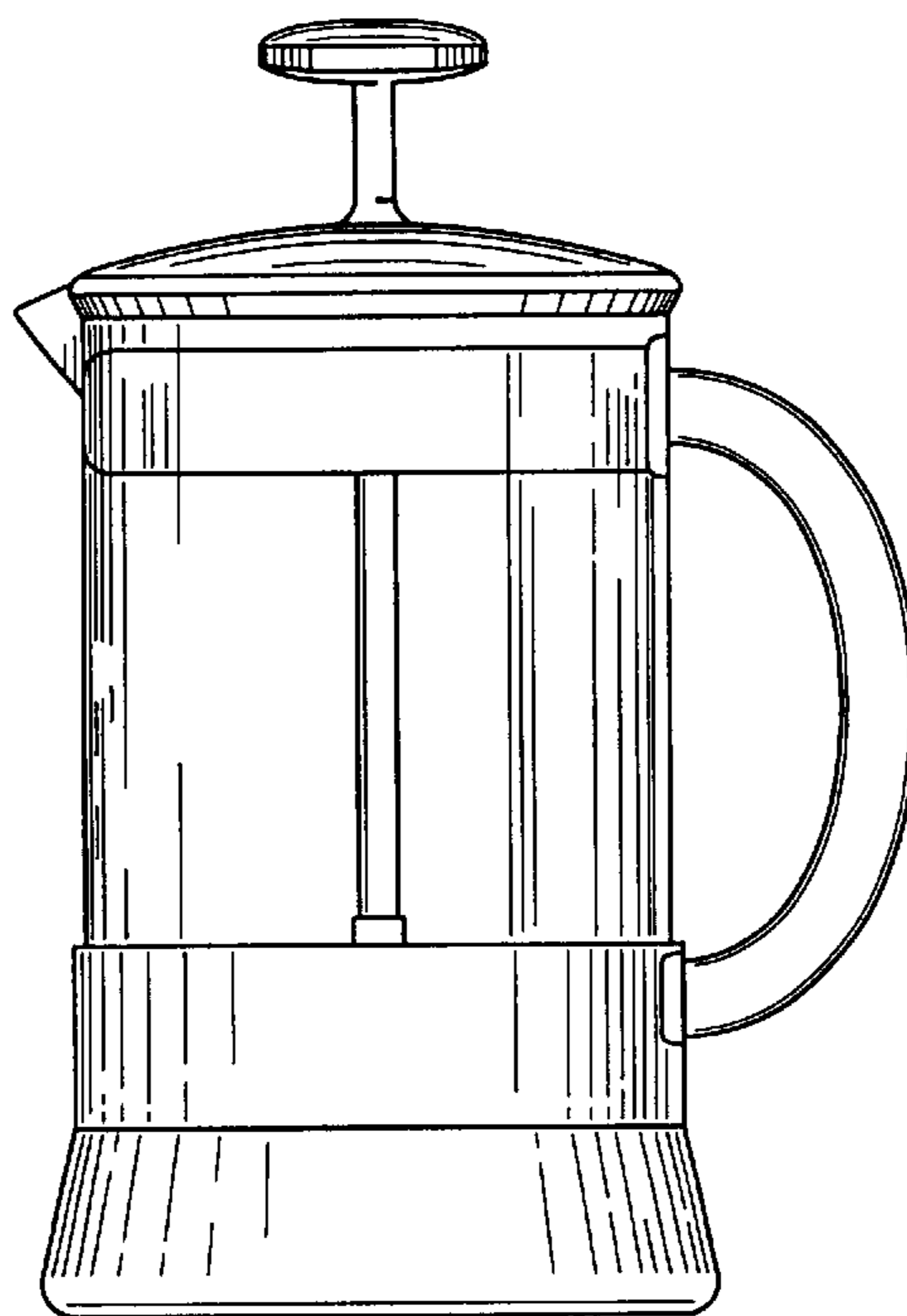
(57) **CLAIM**

The ornamental design for a pluncher, as shown and described.

DESCRIPTION

FIG. 1 is a perspective view of the pluncher;
FIG. 2 is a side view of the pluncher;
FIG. 3 is a back view of the pluncher;
FIG. 4 is a front view of the pluncher;
FIG. 5 is a top view of the pluncher; and,
FIG. 6 is a bottom view of the pluncher.

1 Claim, 6 Drawing Sheets



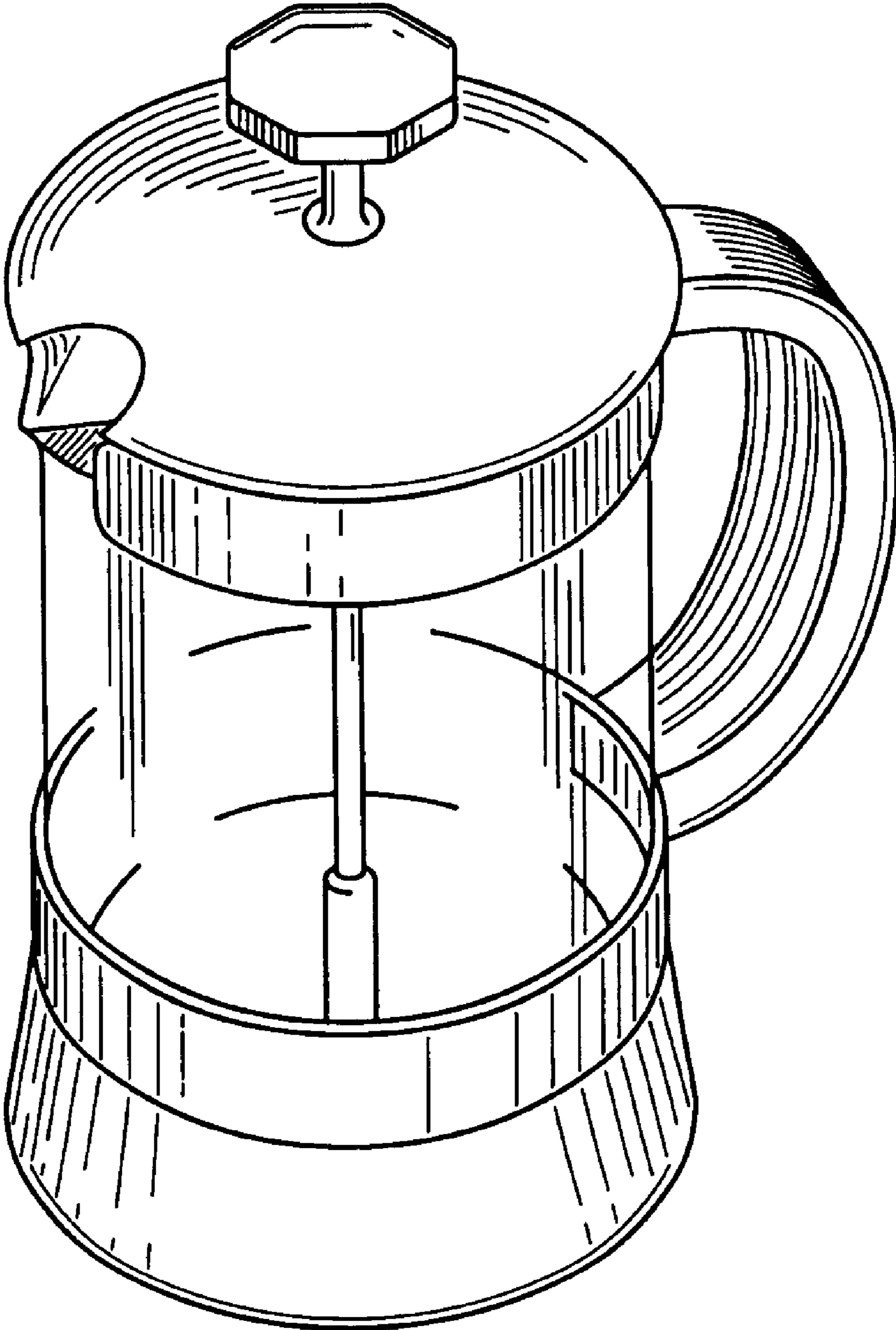


FIG. 1

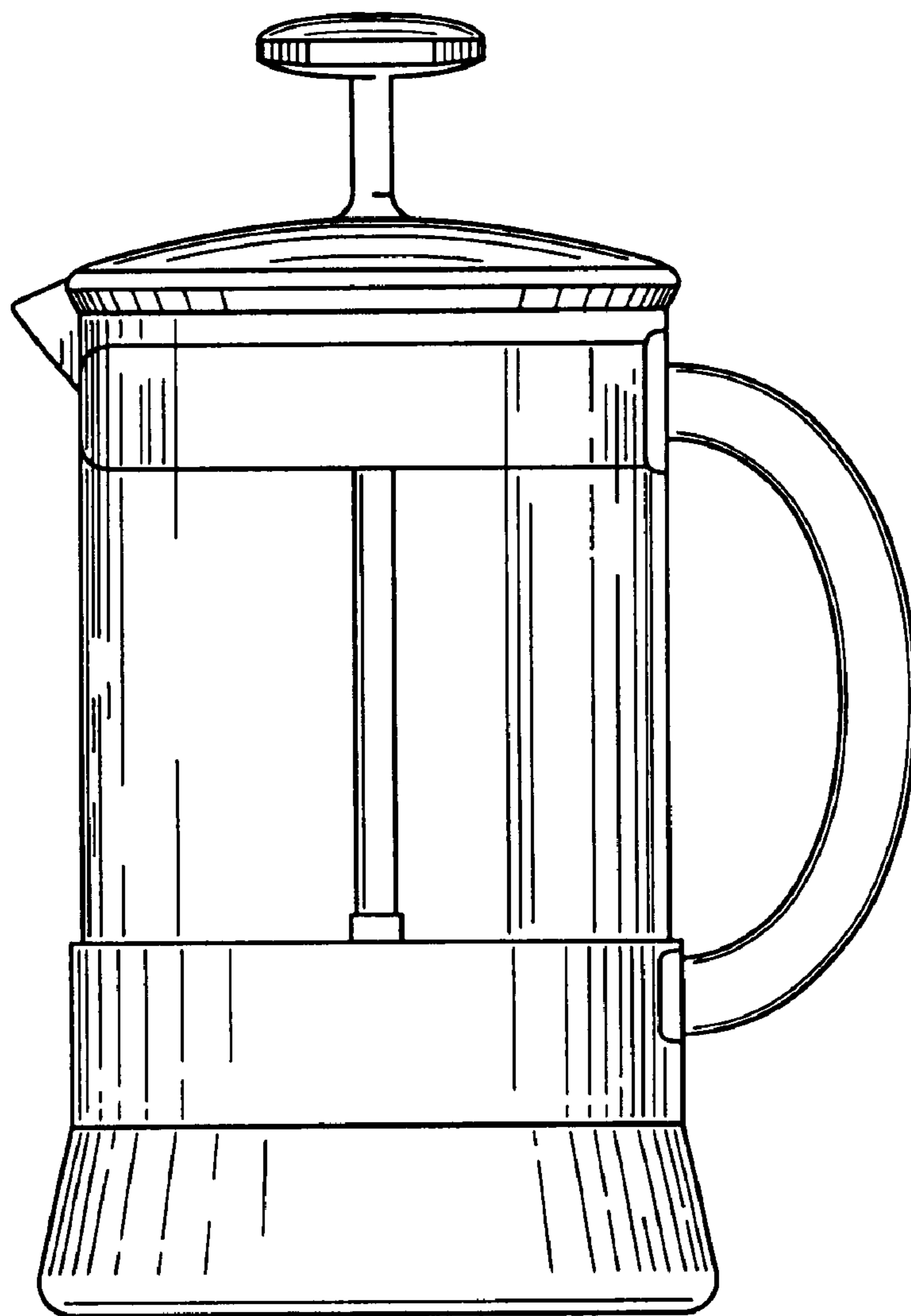


FIG. 2

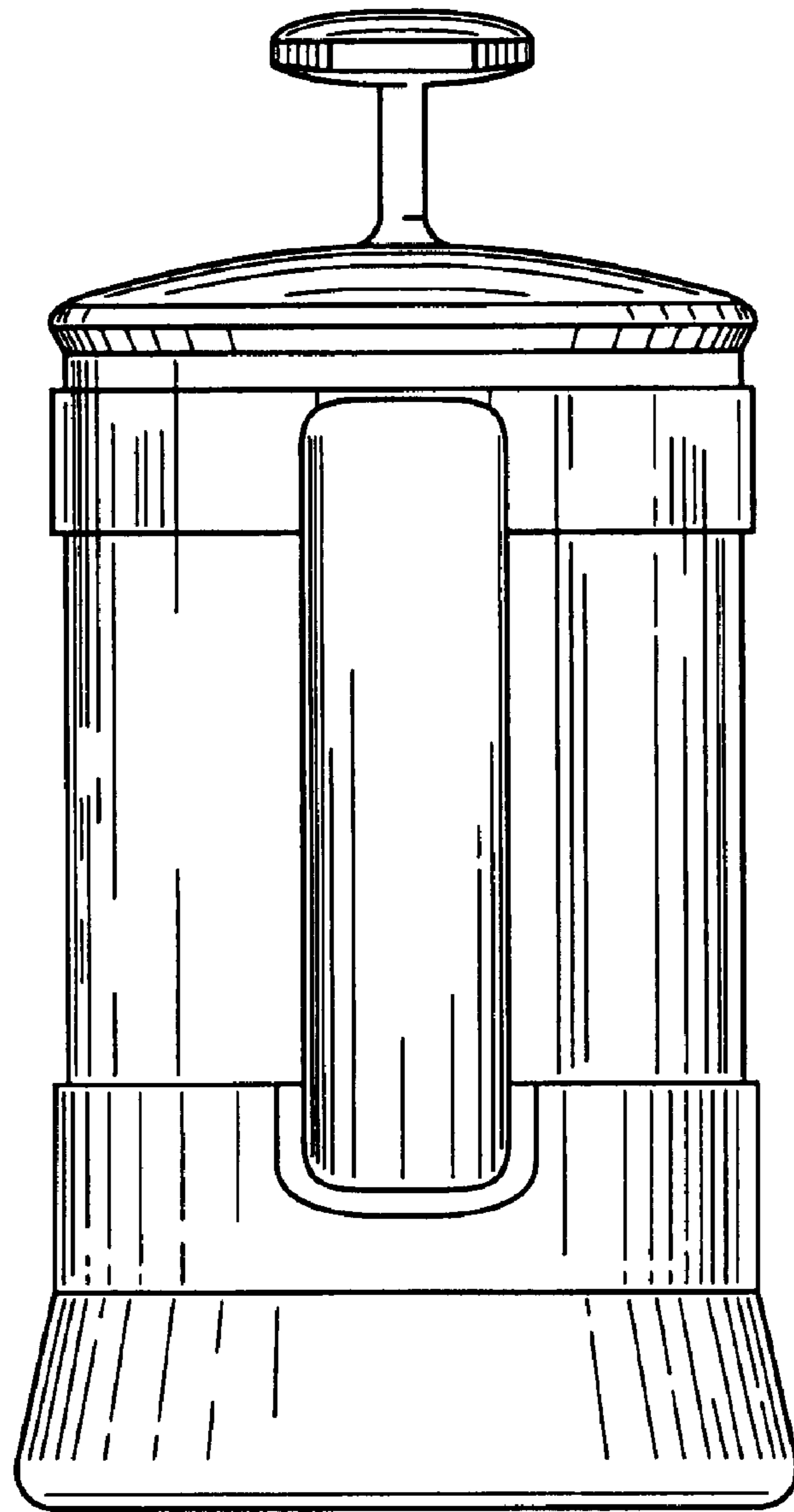


FIG. 3

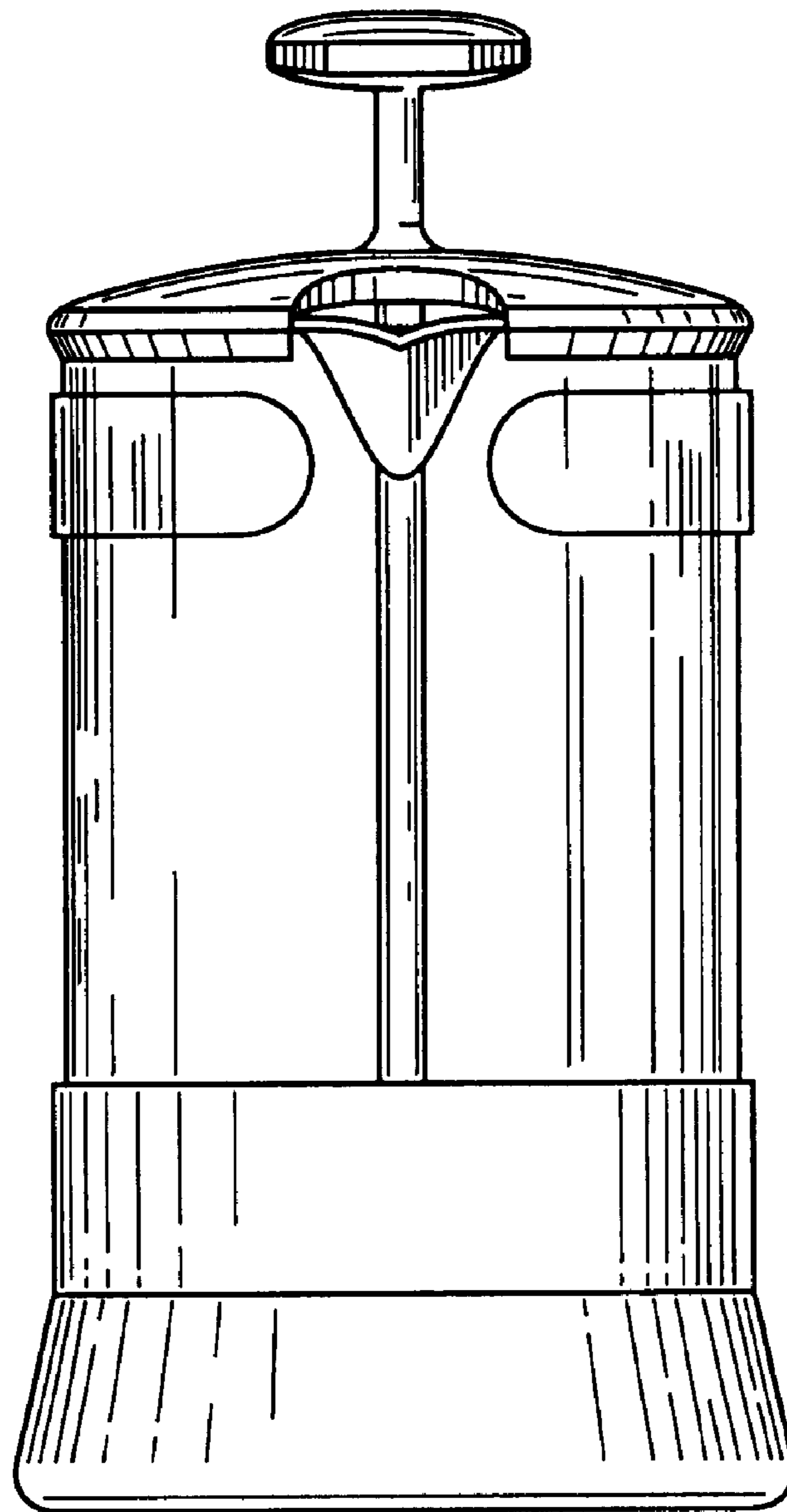


FIG. 4

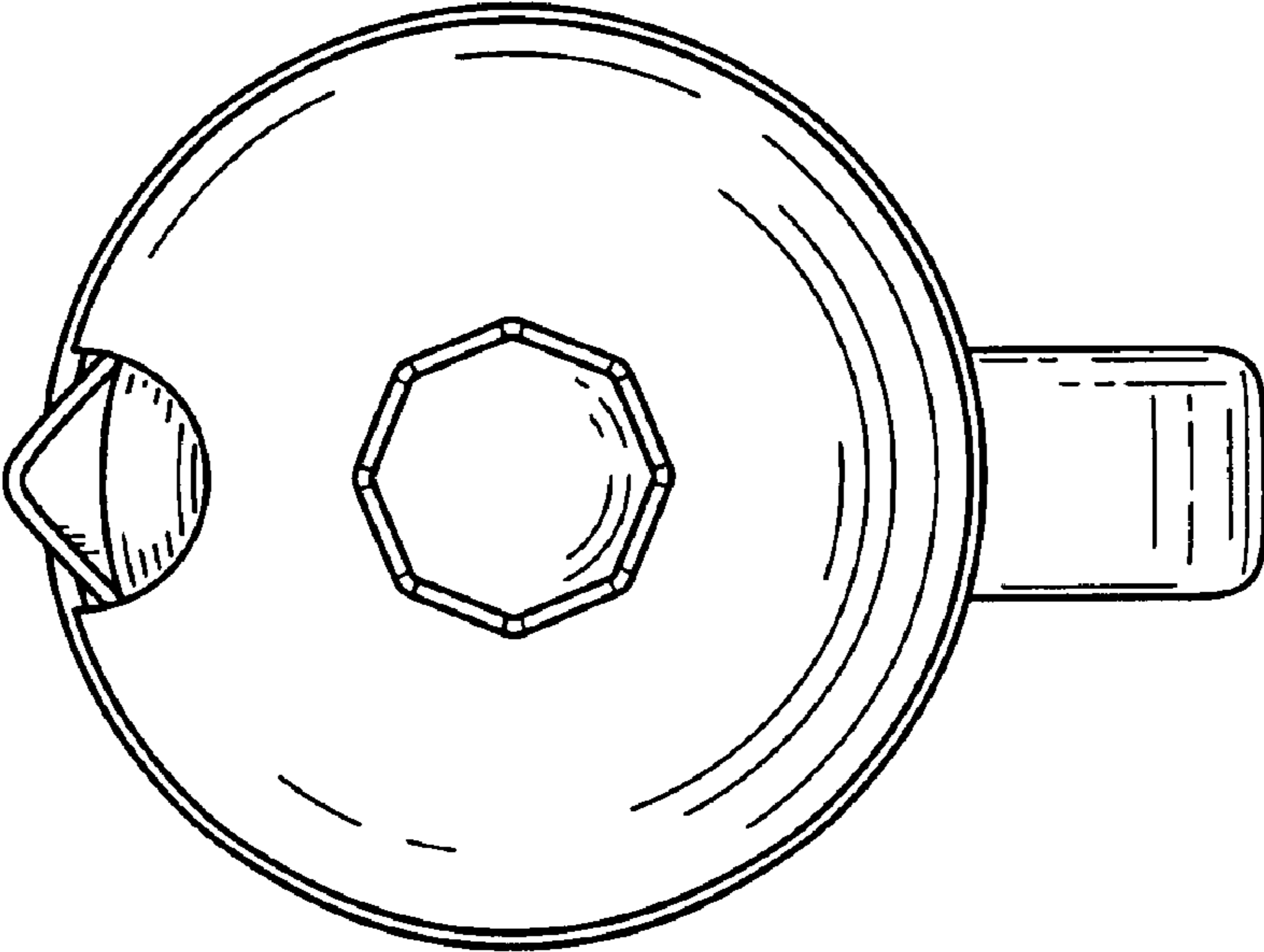


FIG. 5

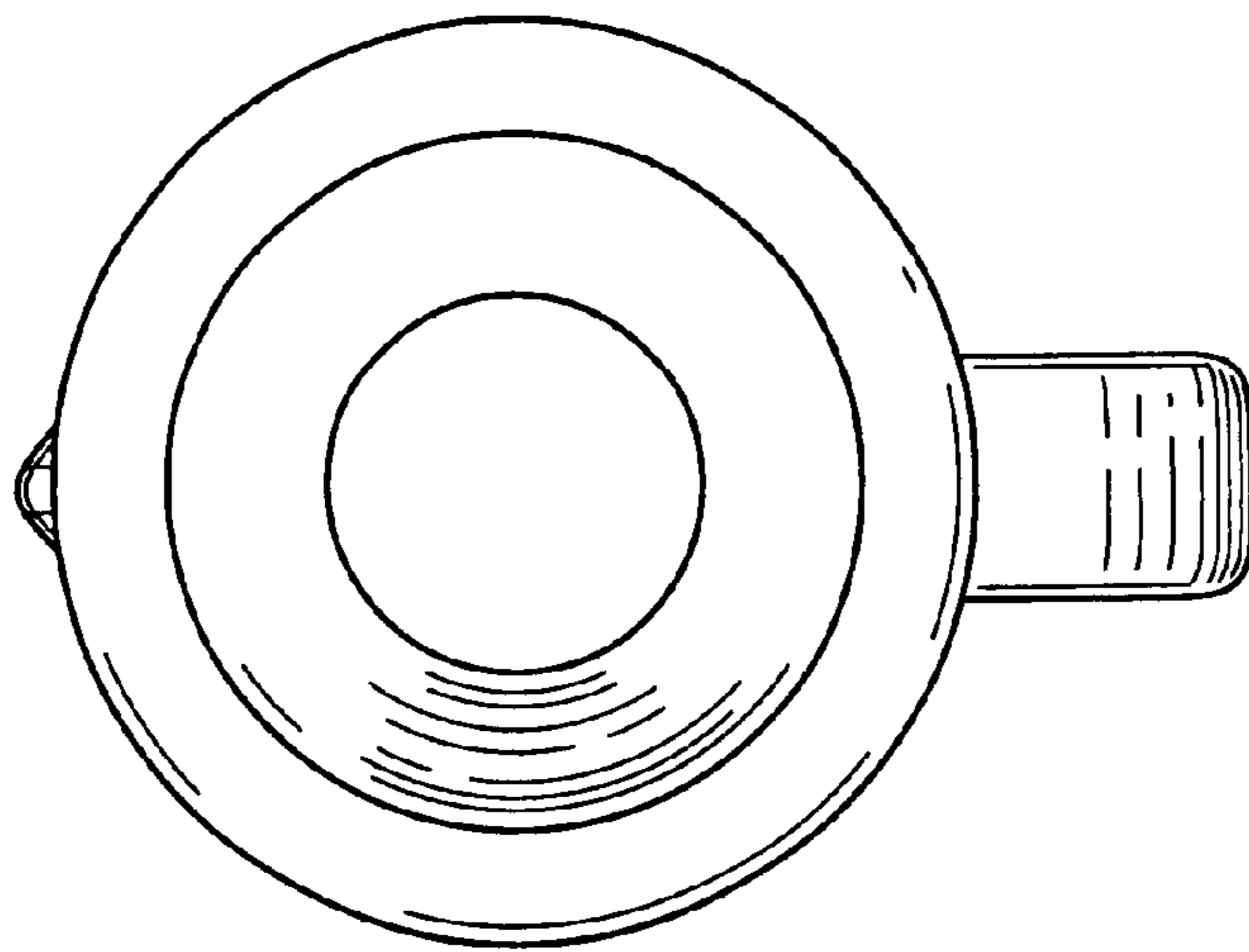


FIG. 6