

US00D500622S

(12) **United States Design Patent**  
**Owen**

(10) **Patent No.:** **US D500,622 S**  
(45) **Date of Patent:** **\*\* Jan. 11, 2005**

(54) **SUPPORT**

D327,198 S \* 6/1992 Erker, Jr. et al. .... D6/601  
D376,288 S \* 12/1996 Antonian ..... D6/601

(75) **Inventor:** **Philip Owen**, Lancashire (GB)

**FOREIGN PATENT DOCUMENTS**

(73) **Assignee:** **Sprog Limited** (GB)

JP 403171 8/1975

(\*\*) **Term:** **14 Years**

\* cited by examiner

(21) **Appl. No.:** **29/186,776**

*Primary Examiner*—Janice E. Seeger

(22) **Filed:** **Jul. 22, 2003**

(74) *Attorney, Agent, or Firm*—Salter & Michaelson

(30) **Foreign Application Priority Data**

(57) **CLAIM**

Jan. 22, 2003 (GB) ..... 3010237  
Jan. 22, 2003 (GB) ..... 3010238

The ornamental design for a support, as shown and described.

(51) **LOC (7) Cl.** ..... **06-09**

**DESCRIPTION**

(52) **U.S. Cl.** ..... **D6/596; D6/601**

FIG. 1 is a front perspective view from above of a support showing my new design;

(58) **Field of Search** ..... D6/595-597, 601,  
D6/604; 5/417-420, 630, 636, 652-654,  
655.3, 655.9, 731, 736, 901

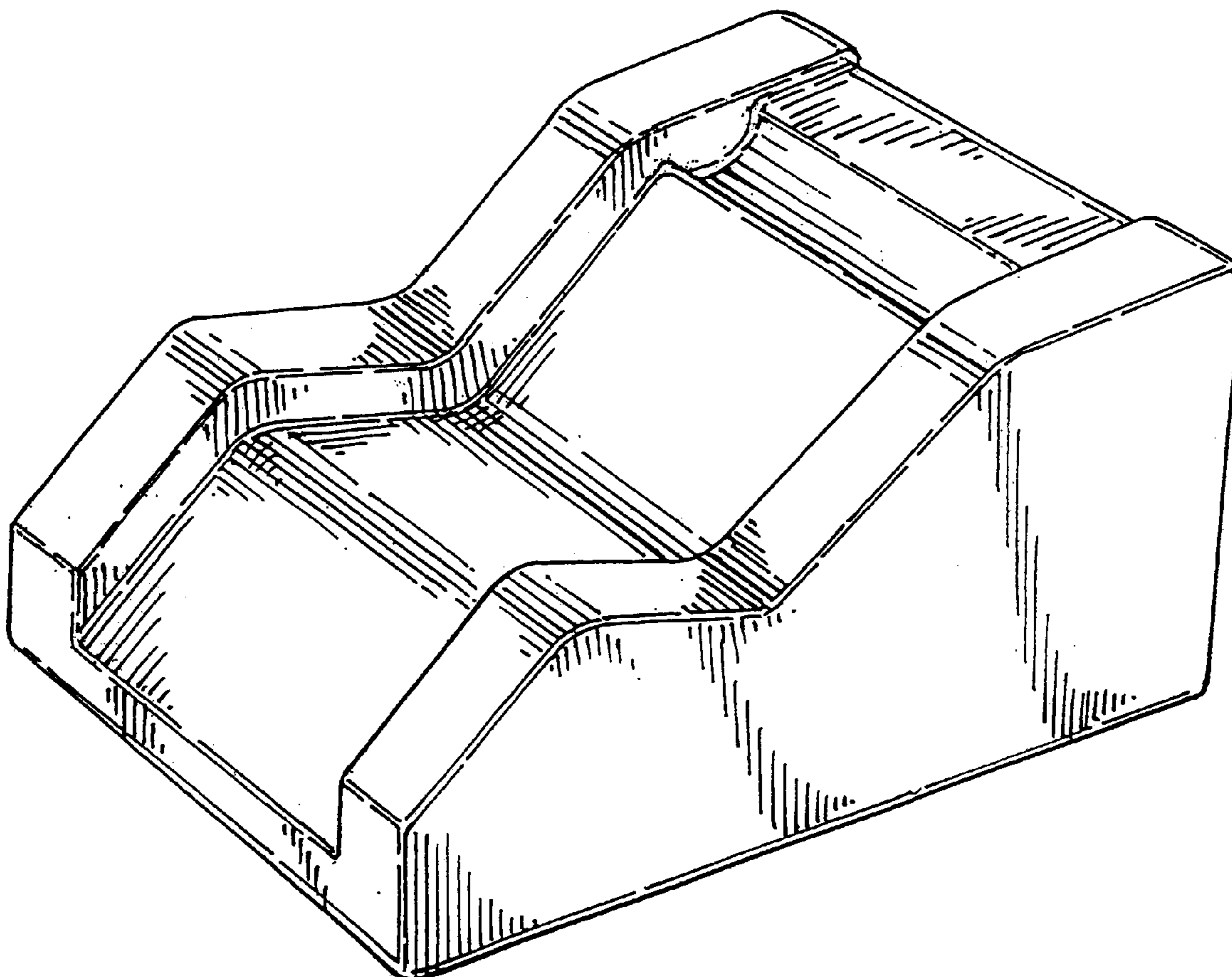
FIG. 2 is a side elevational view of the support;  
FIG. 3 is a front elevational view of the support;  
FIG. 4 is a rear elevational view of the support; and,  
FIG. 5 is a plan view of the support.

(56) **References Cited**

**U.S. PATENT DOCUMENTS**

D202,977 S \* 11/1965 Price ..... D6/596

**1 Claim, 2 Drawing Sheets**



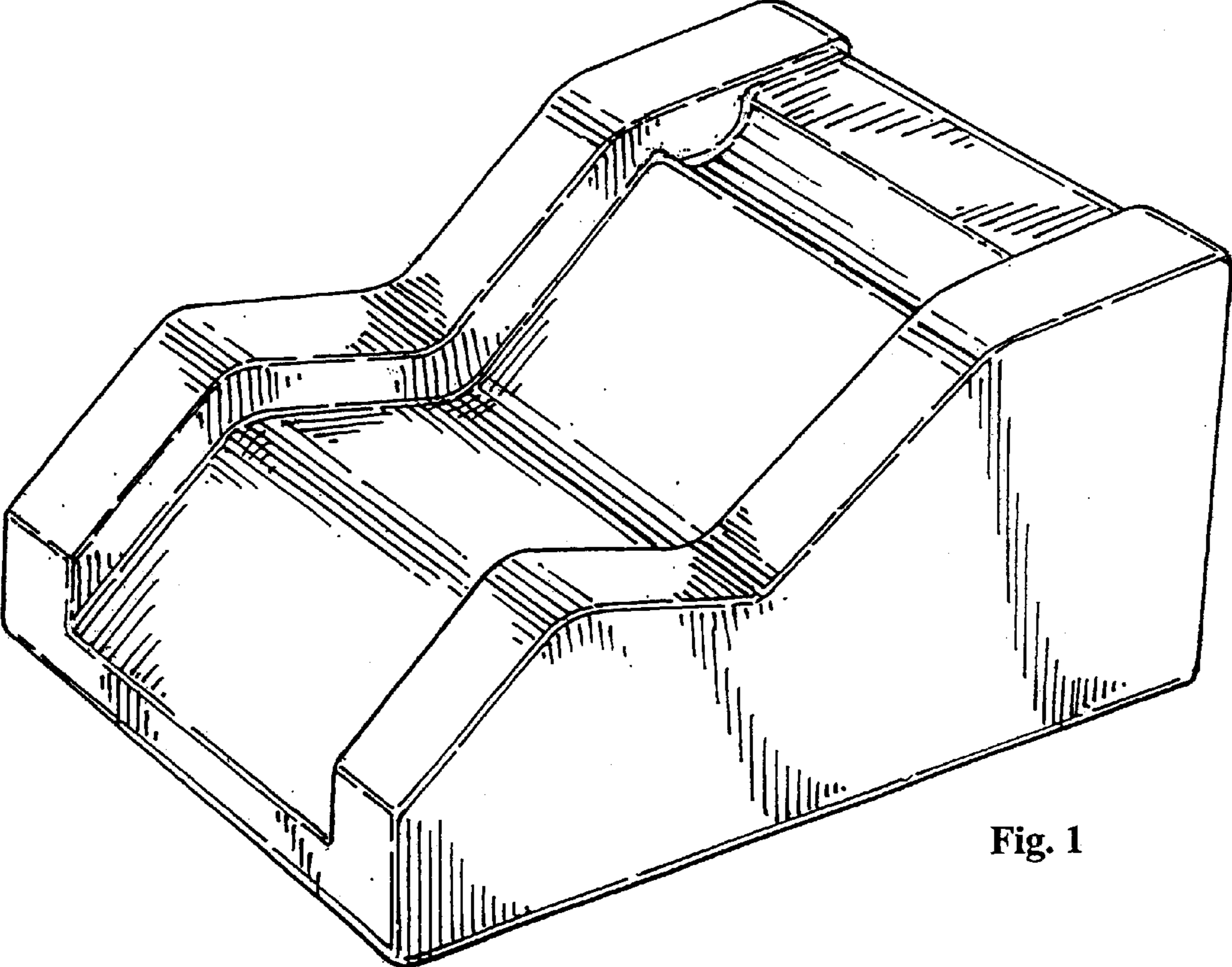


Fig. 1

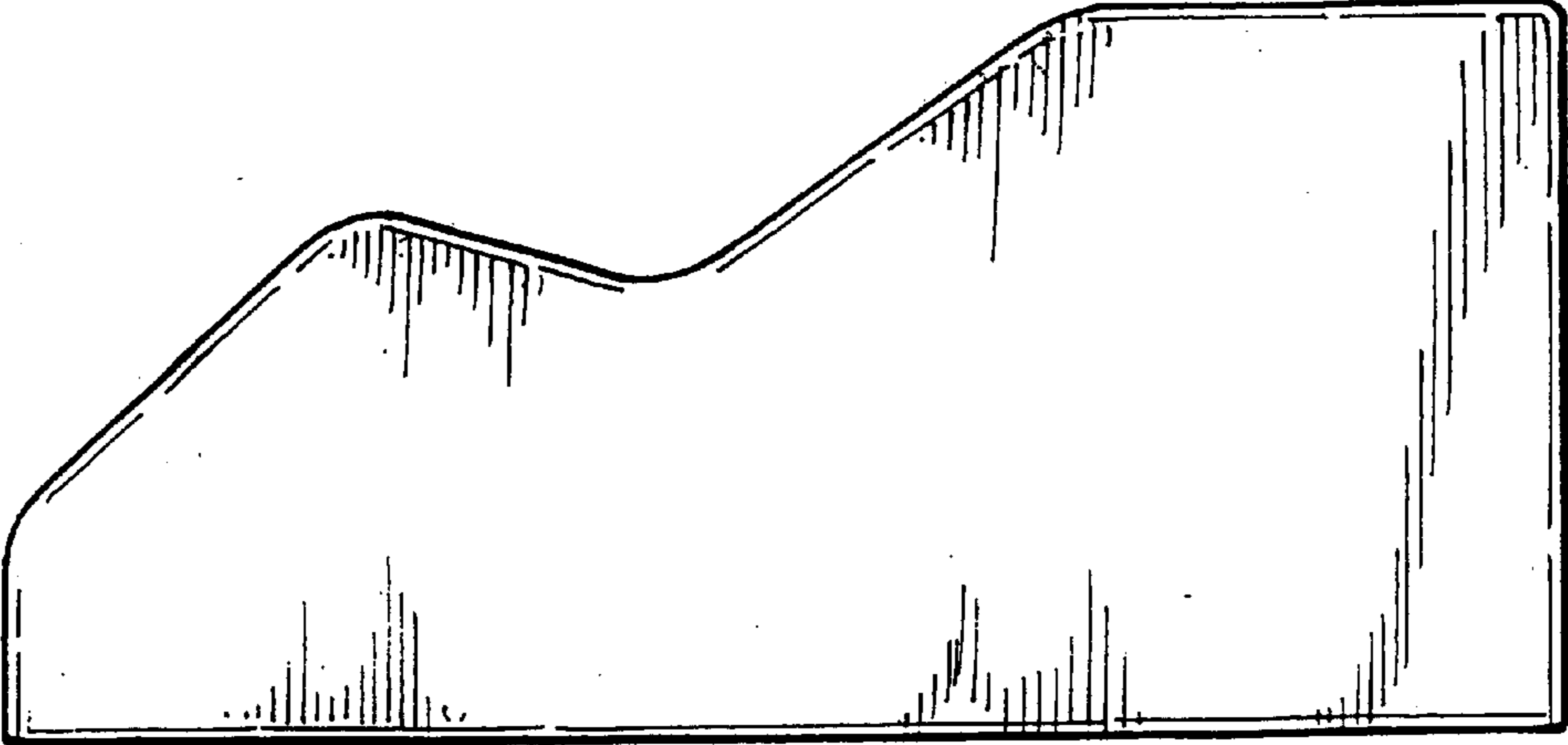


Fig. 2

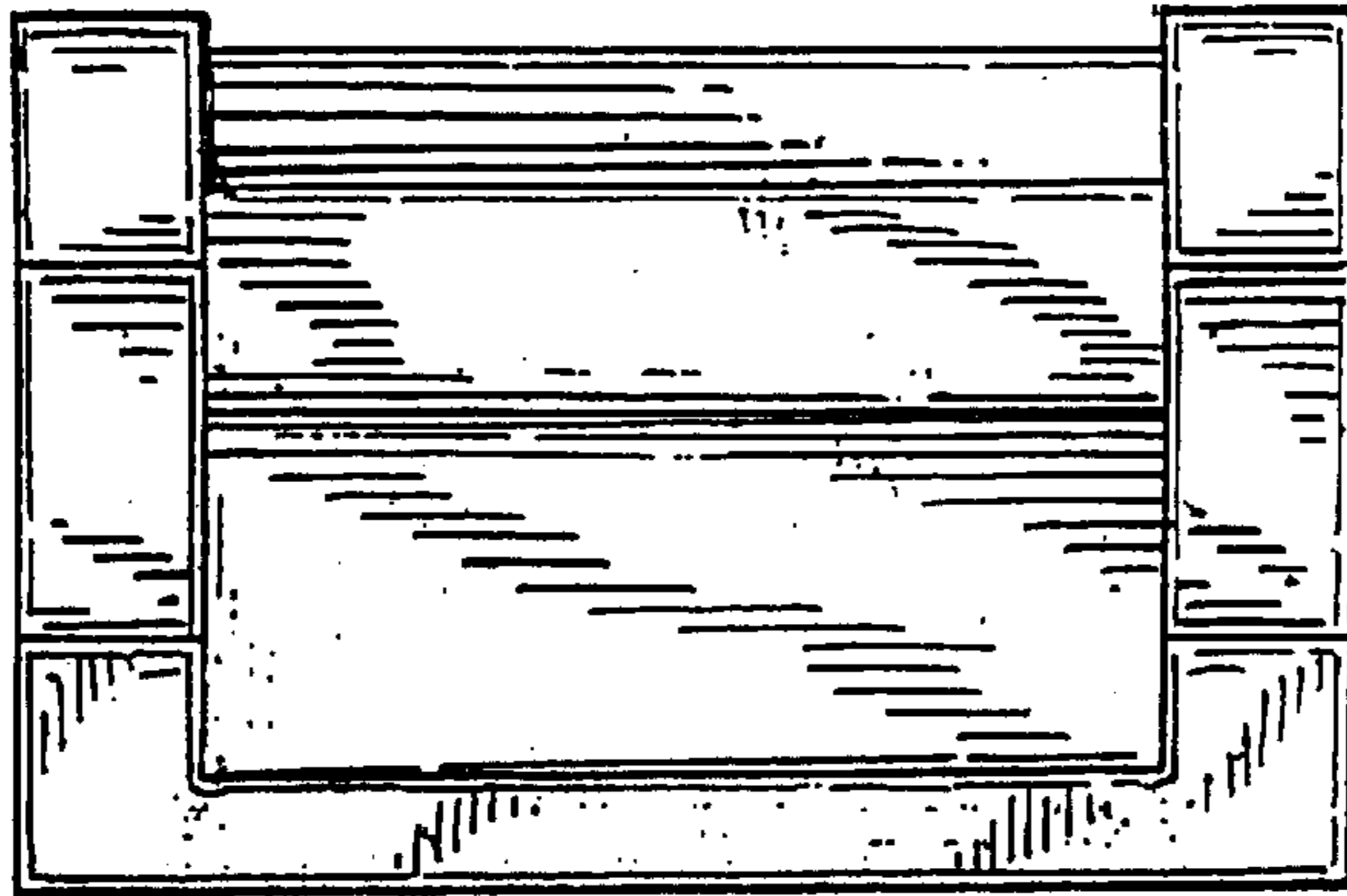


Fig. 3

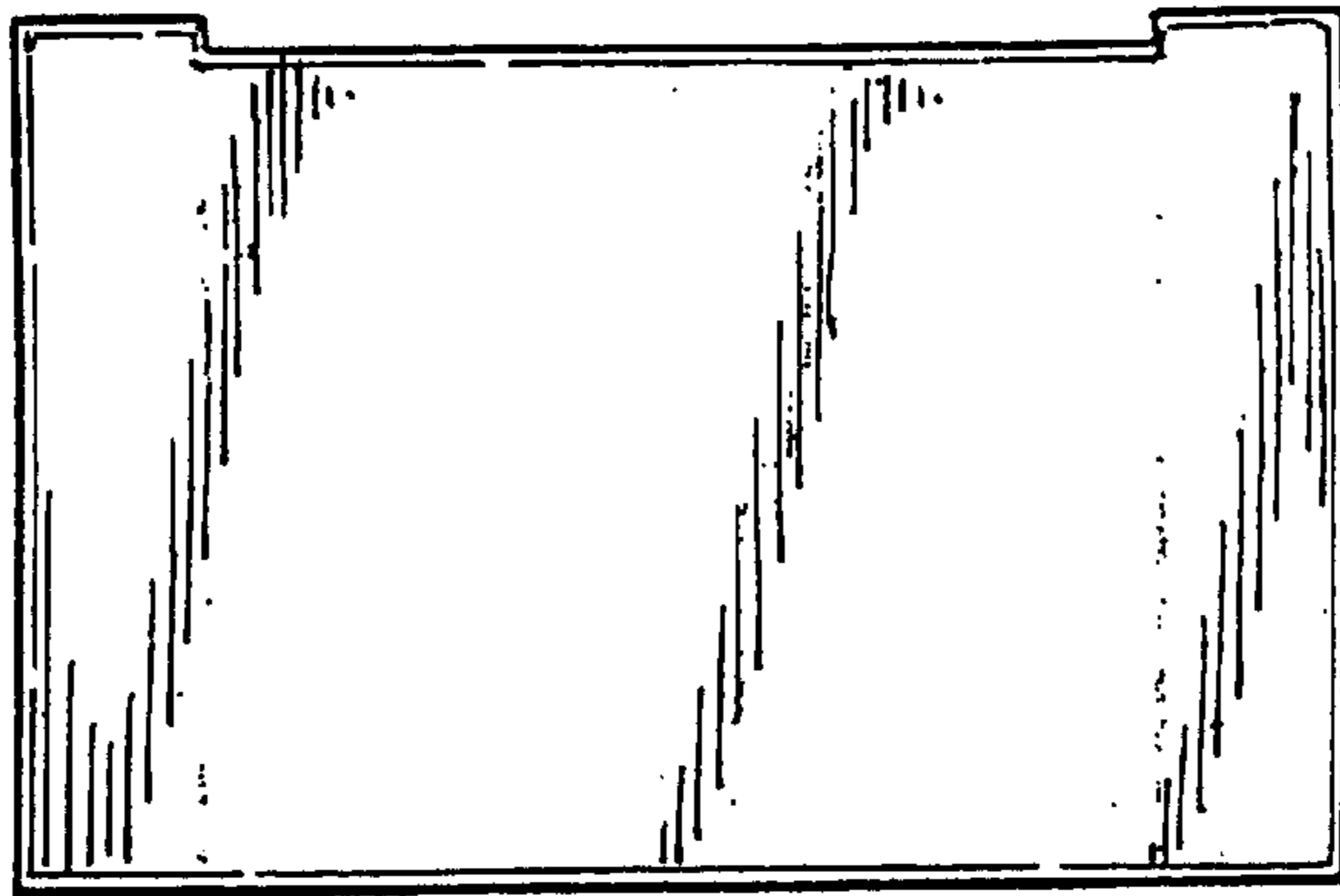


Fig. 4

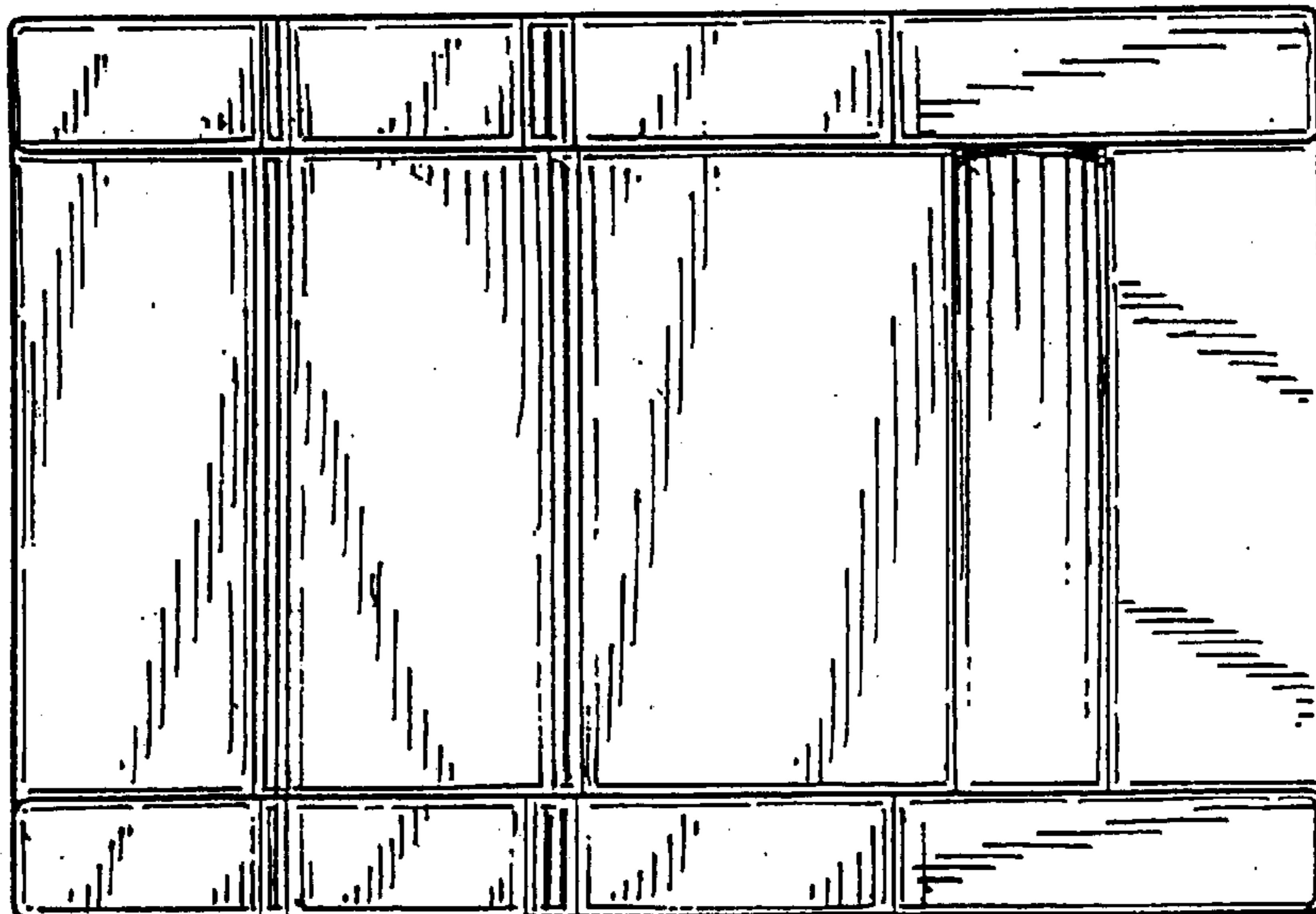


Fig. 5