

US00D500618S

(12) **United States Design Patent**
Nagoya

(10) **Patent No.:** **US D500,618 S**
(45) **Date of Patent:** **** Jan. 11, 2005**

(54) **BRUSH CONTAINER**

(75) Inventor: **Yoshiki Nagoya**, Tokyo (JP)

(73) Assignee: **Marna, Inc.**, Tokyo (JP)

(**) Term: **14 Years**

(21) Appl. No.: **29/196,167**

(22) Filed: **Dec. 22, 2003**

(30) **Foreign Application Priority Data**

Jul. 1, 2003 (JP) 2003-018865

(51) **LOC (7) Cl.** **06-04**

(52) **U.S. Cl.** **D6/551**

(58) **Field of Search** D6/551, 524; 211/13.1,
211/65, 62.1, 69.1; 206/344, 349; 4/255.05,
661, 255.01; 312/206, 207

(56) **References Cited**

U.S. PATENT DOCUMENTS

D407,933 S	*	4/1999	Douglas	D6/551
D425,744 S	*	5/2000	McGuire	D6/551
D467,113 S	*	12/2002	Lin	D6/551
D467,457 S	*	12/2002	Lin	D6/551
D477,483 S	*	7/2003	Brown et al.	D6/551
D484,723 S	*	1/2004	Snell	D6/551

* cited by examiner

Primary Examiner—Brian N Vinson

(74) *Attorney, Agent, or Firm*—Flynn, Thiel, Boutell & Tanis, P.C.

(57) **CLAIM**

The ornamental design for a brush container, as shown and described.

DESCRIPTION

FIG. 1 is a perspective view of my brush container design; FIG. 2 is a front elevational view thereof, the rear elevational view thereof being a mirror image and symmetrical to the front elevational view thereof;

FIG. 3 is a top plan view thereof;

FIG. 4 is a bottom view thereof;

FIG. 5 is a left side elevational view thereof, the right side elevational view thereof being a mirror image and symmetrical to the left side elevational view thereof;

FIG. 6 is a sectional view taken along line A—A of FIG. 3;

FIG. 7 is a sectional view taken along line B—B of FIG. 3;

FIG. 8 is a sectional view taken along line C—C of FIG. 3;

FIG. 9 is a sectional view taken along line D—D of FIG. 2;

FIG. 10 is a sectional view thereof illustrating a cleaning brush being contained therein; and,

FIG. 11 is a perspective view illustrating a cleaning brush being contained therein.

1 Claim, 6 Drawing Sheets

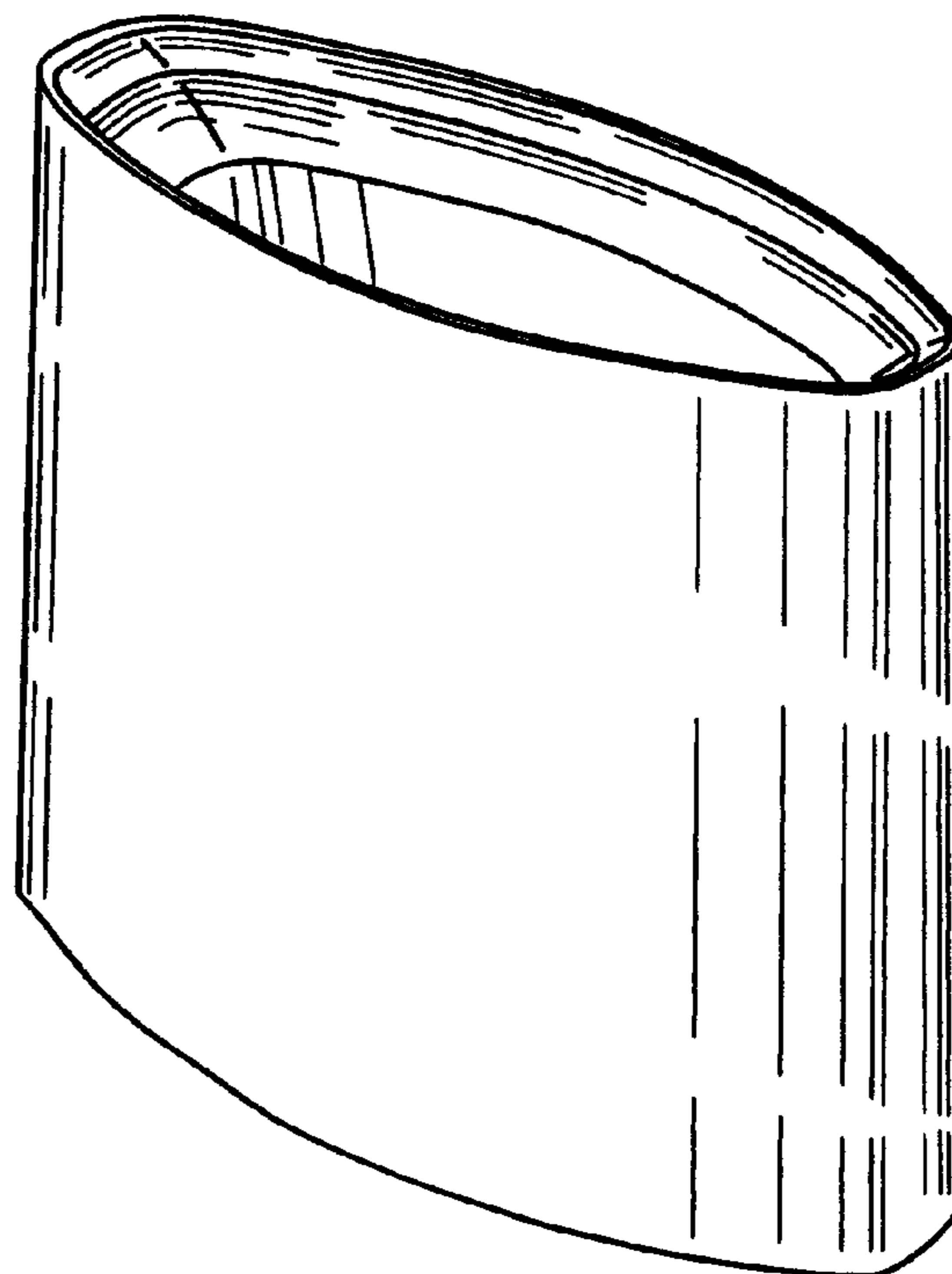


FIG. 1

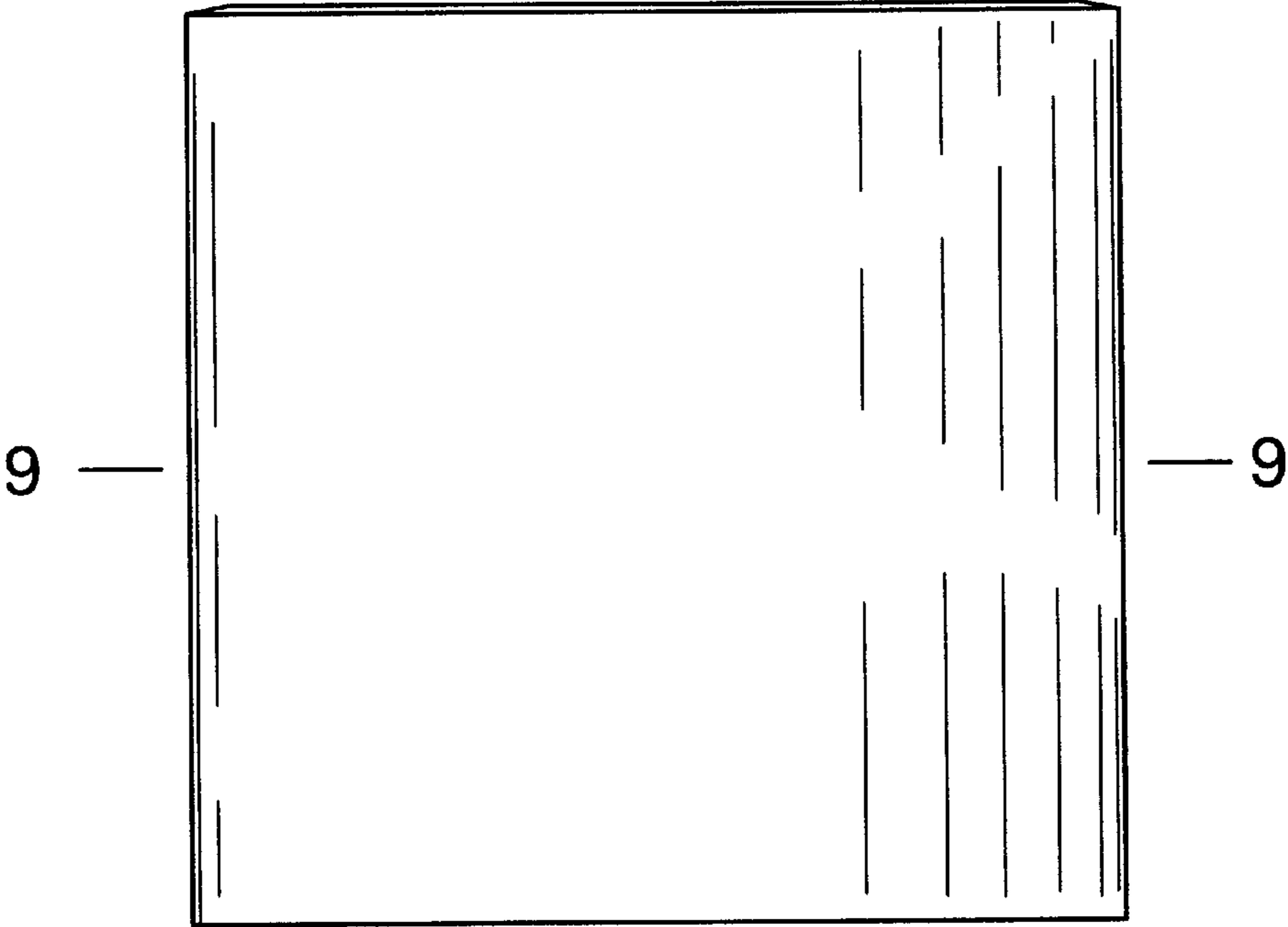
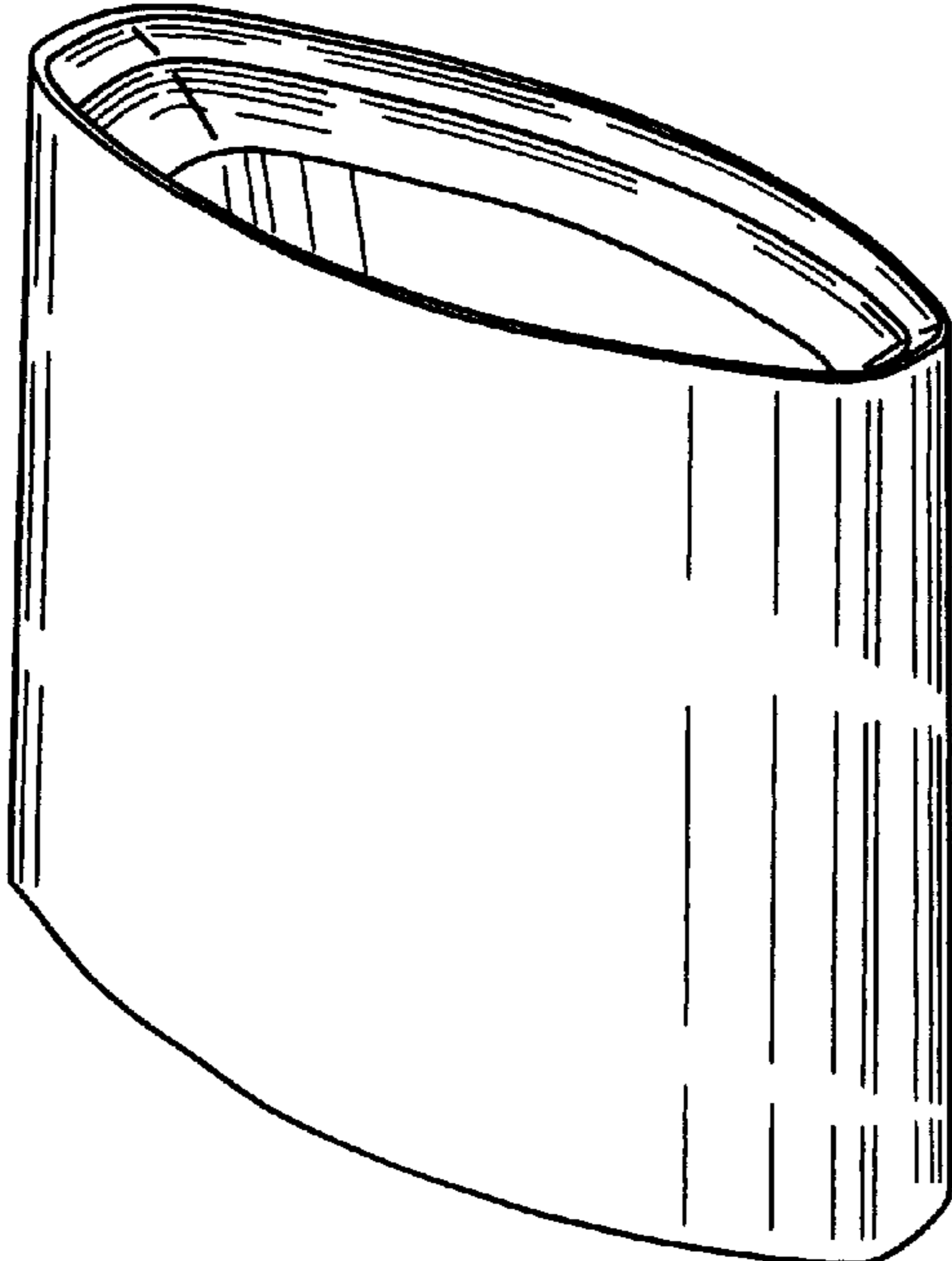


FIG. 2

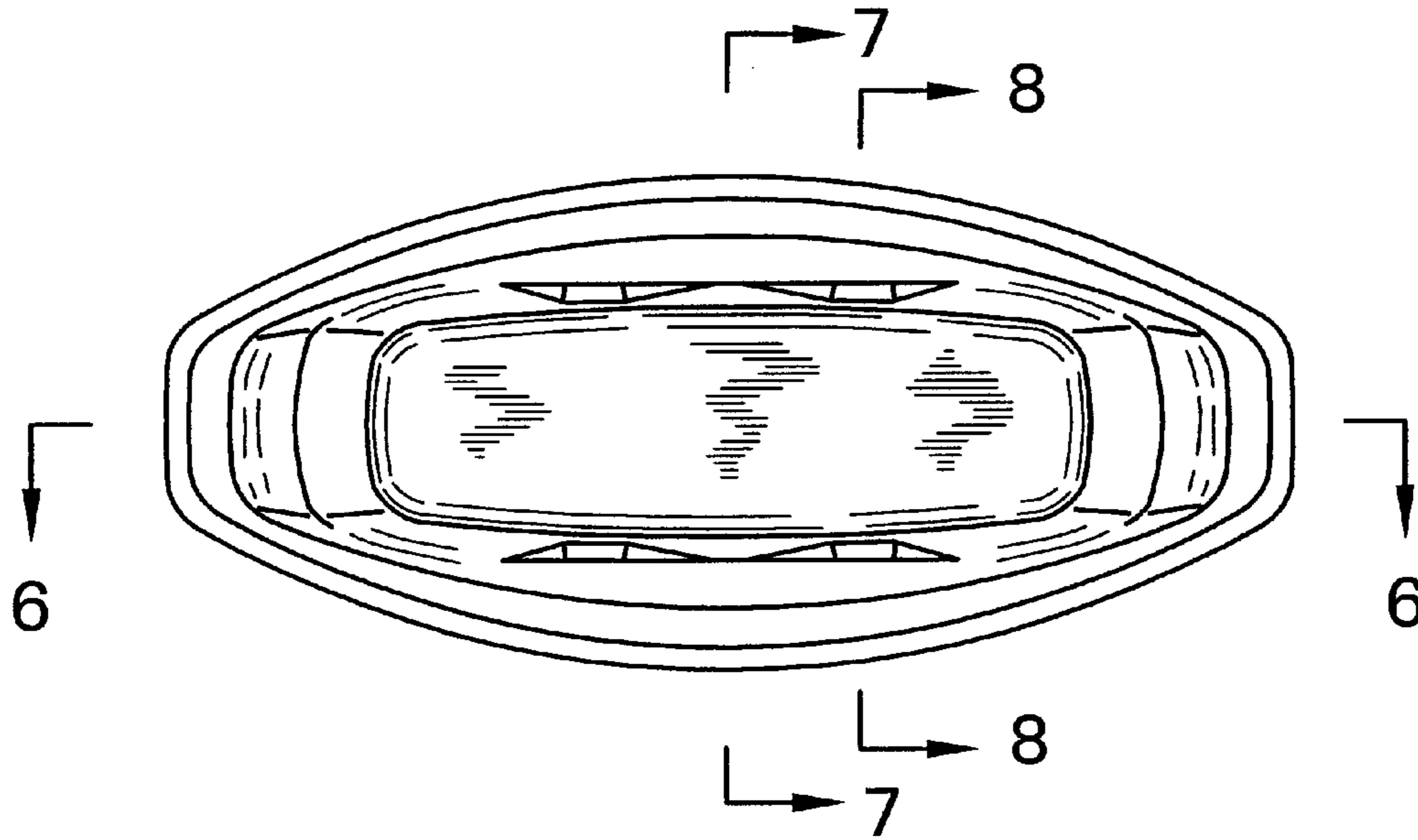


FIG. 3

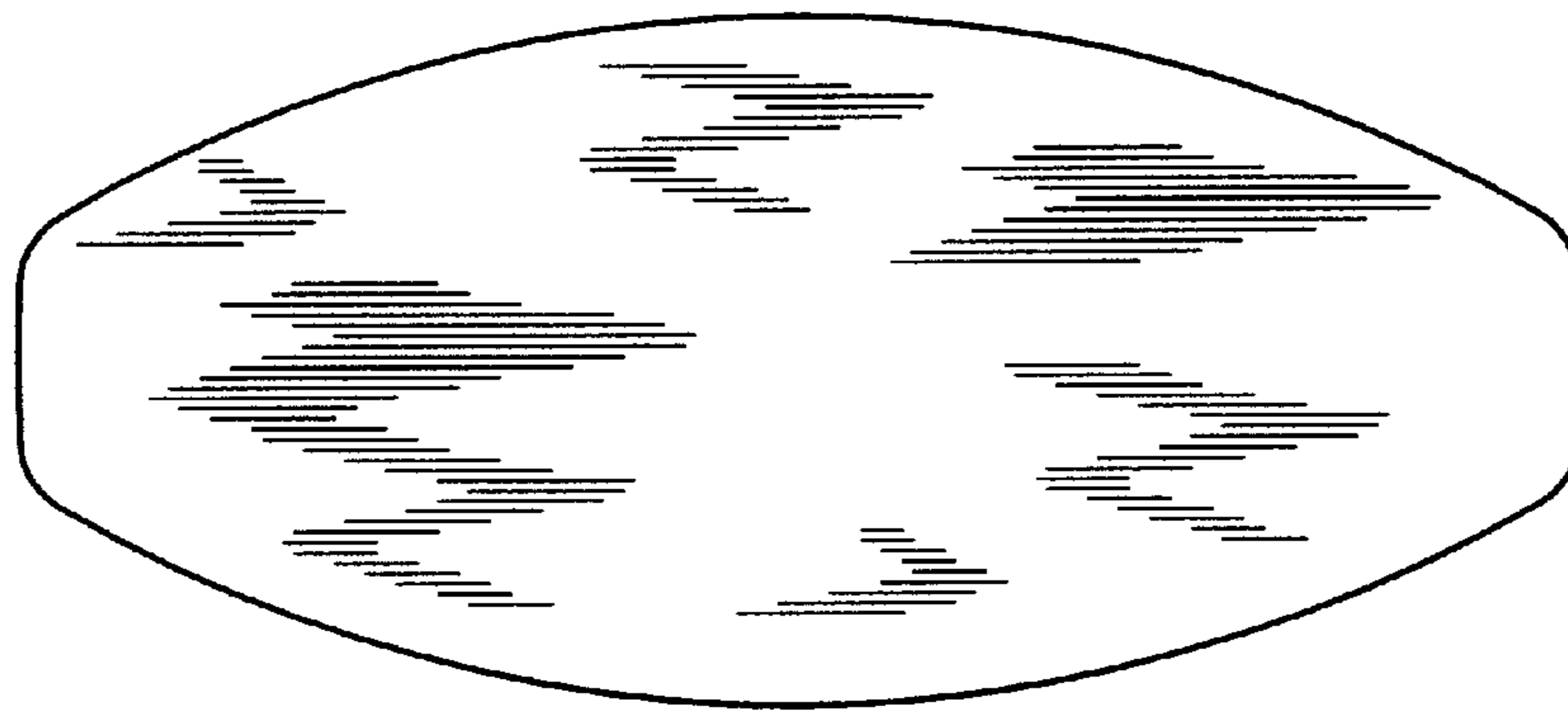


FIG. 4

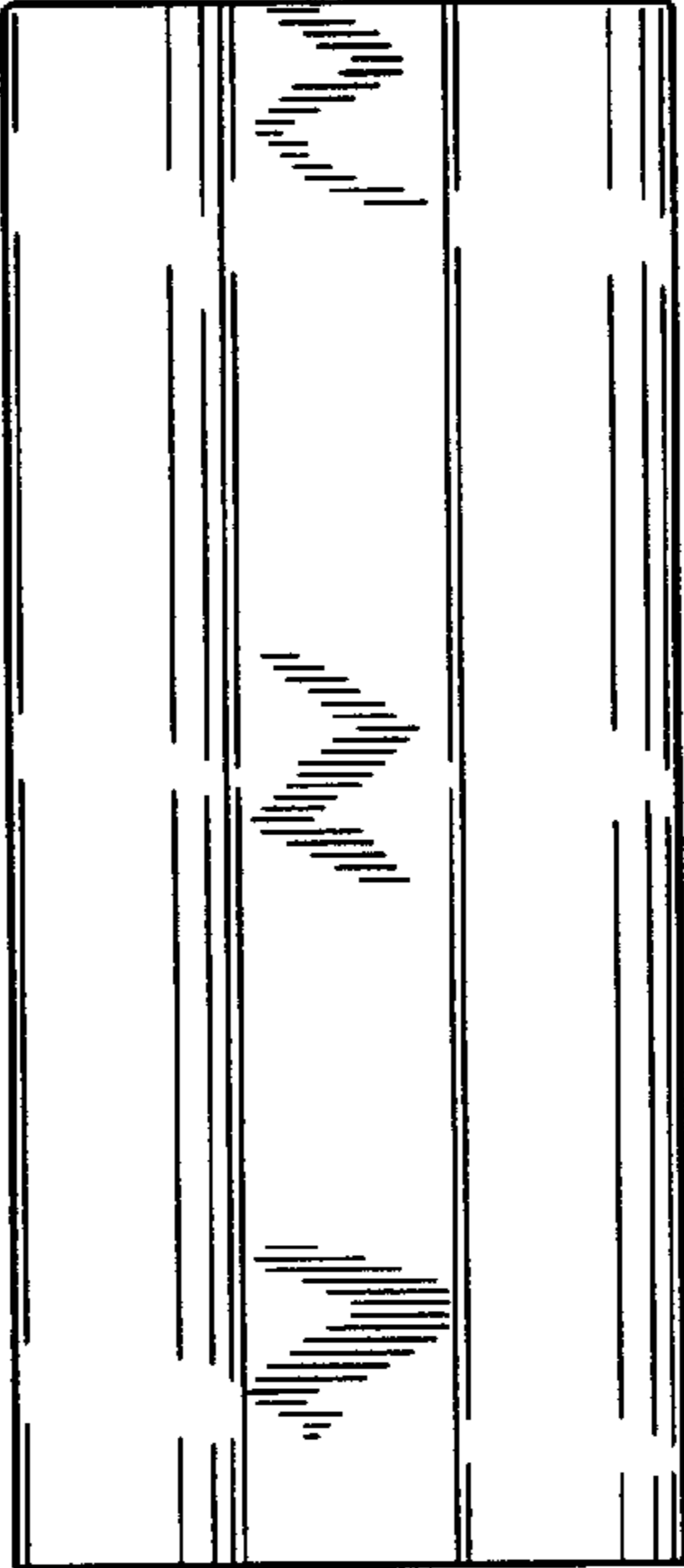


FIG. 5

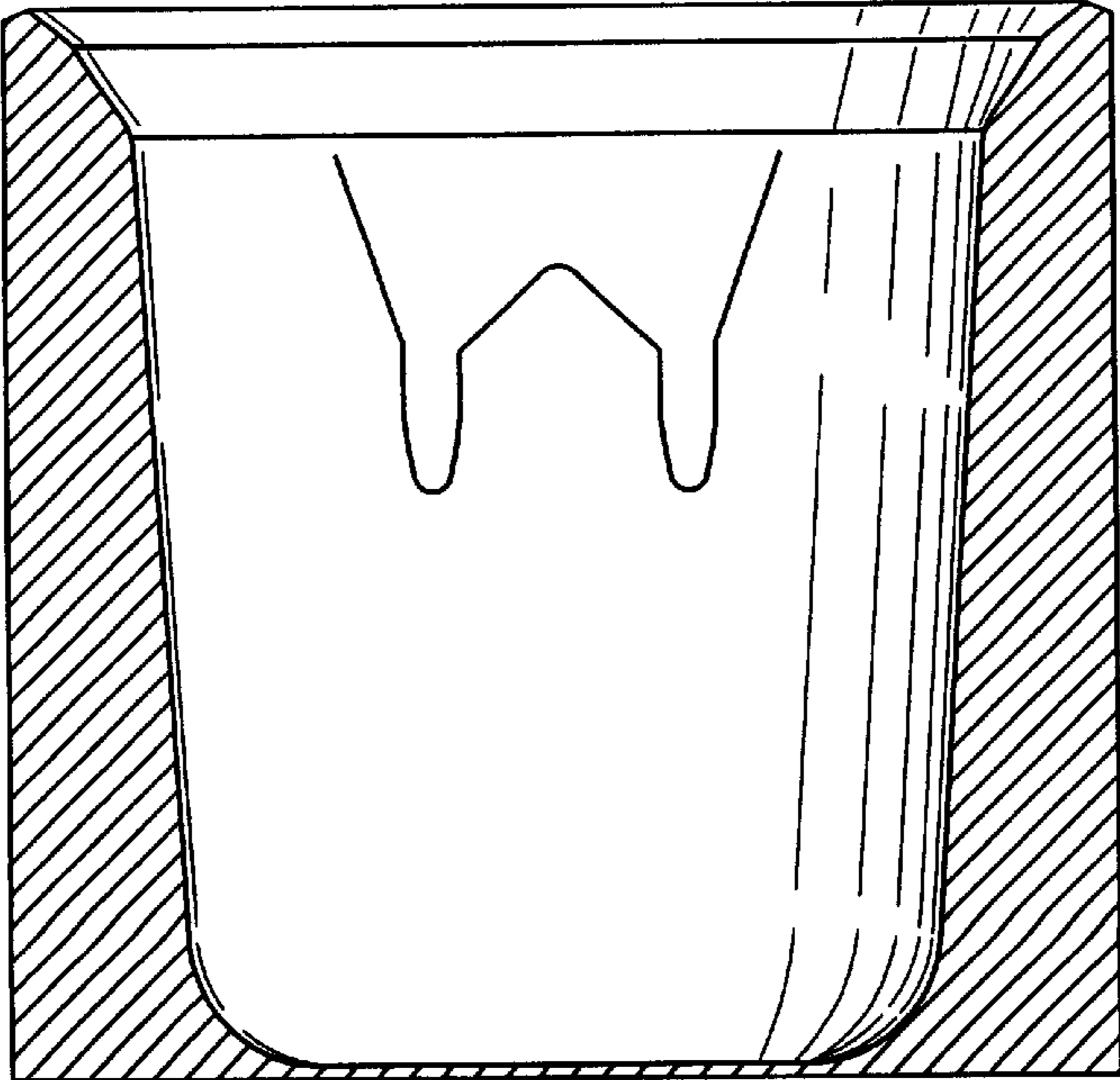


FIG. 6

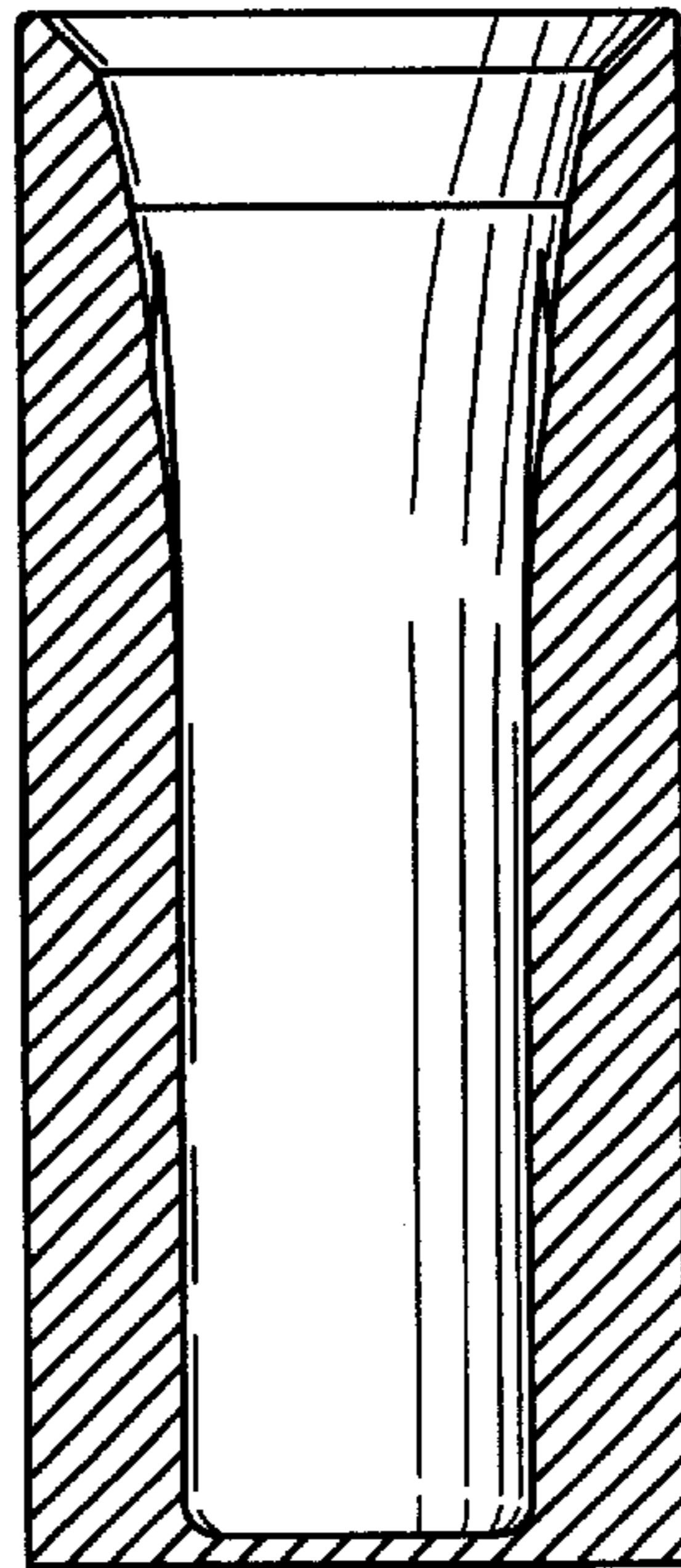


FIG. 7

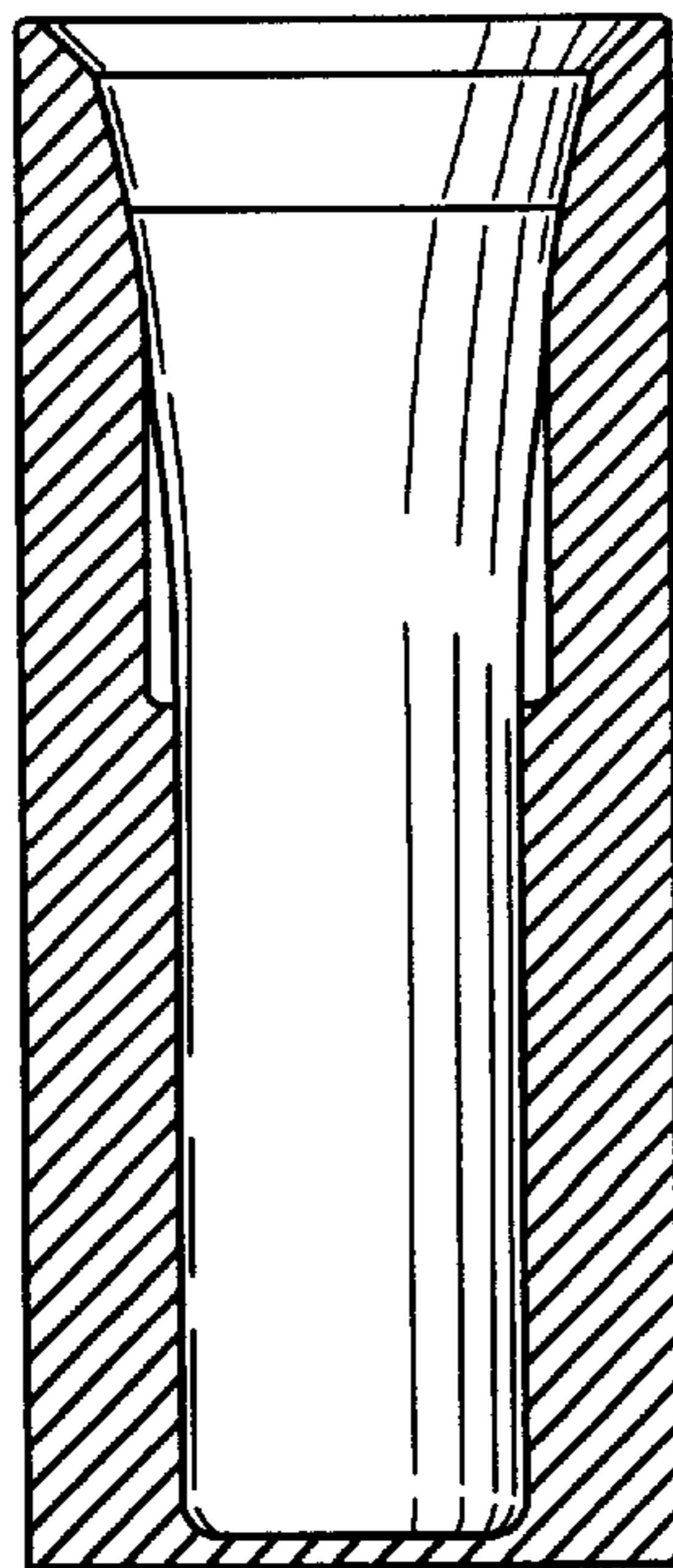


FIG. 8

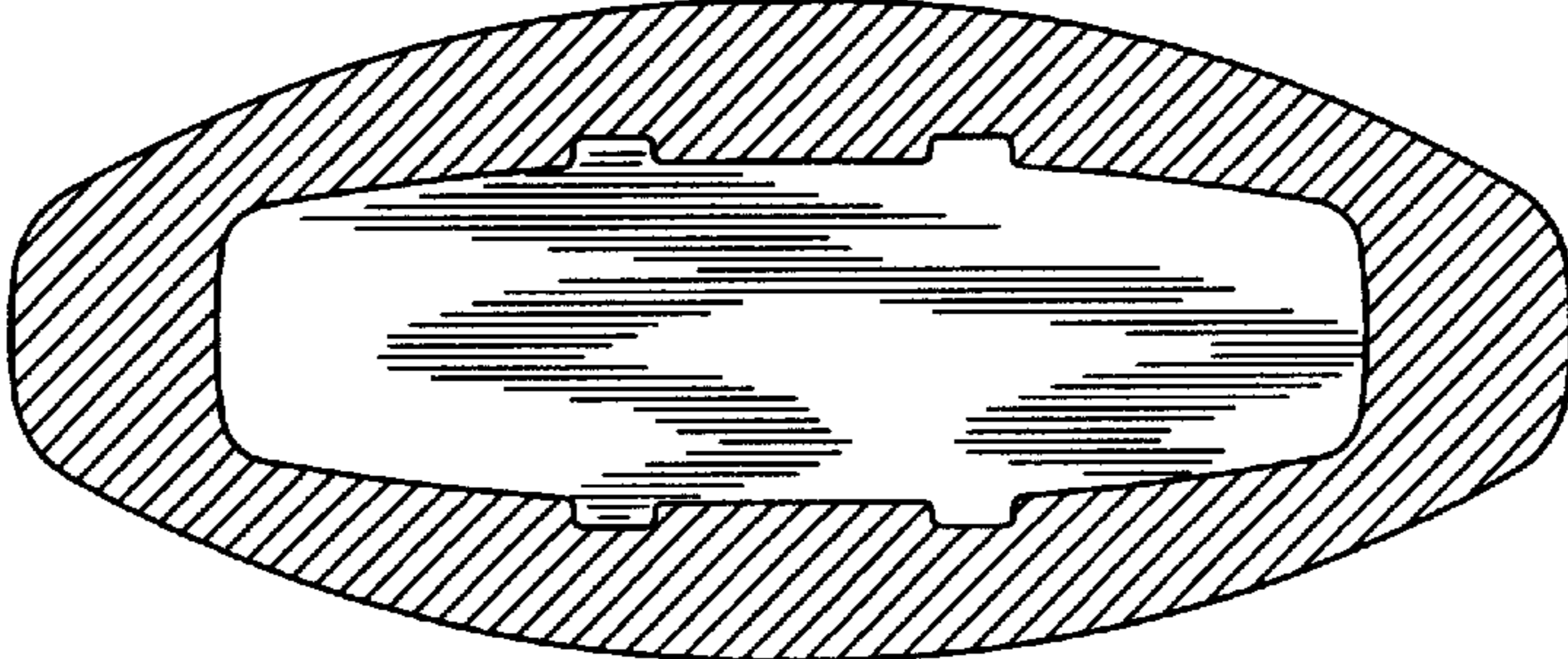


FIG. 9

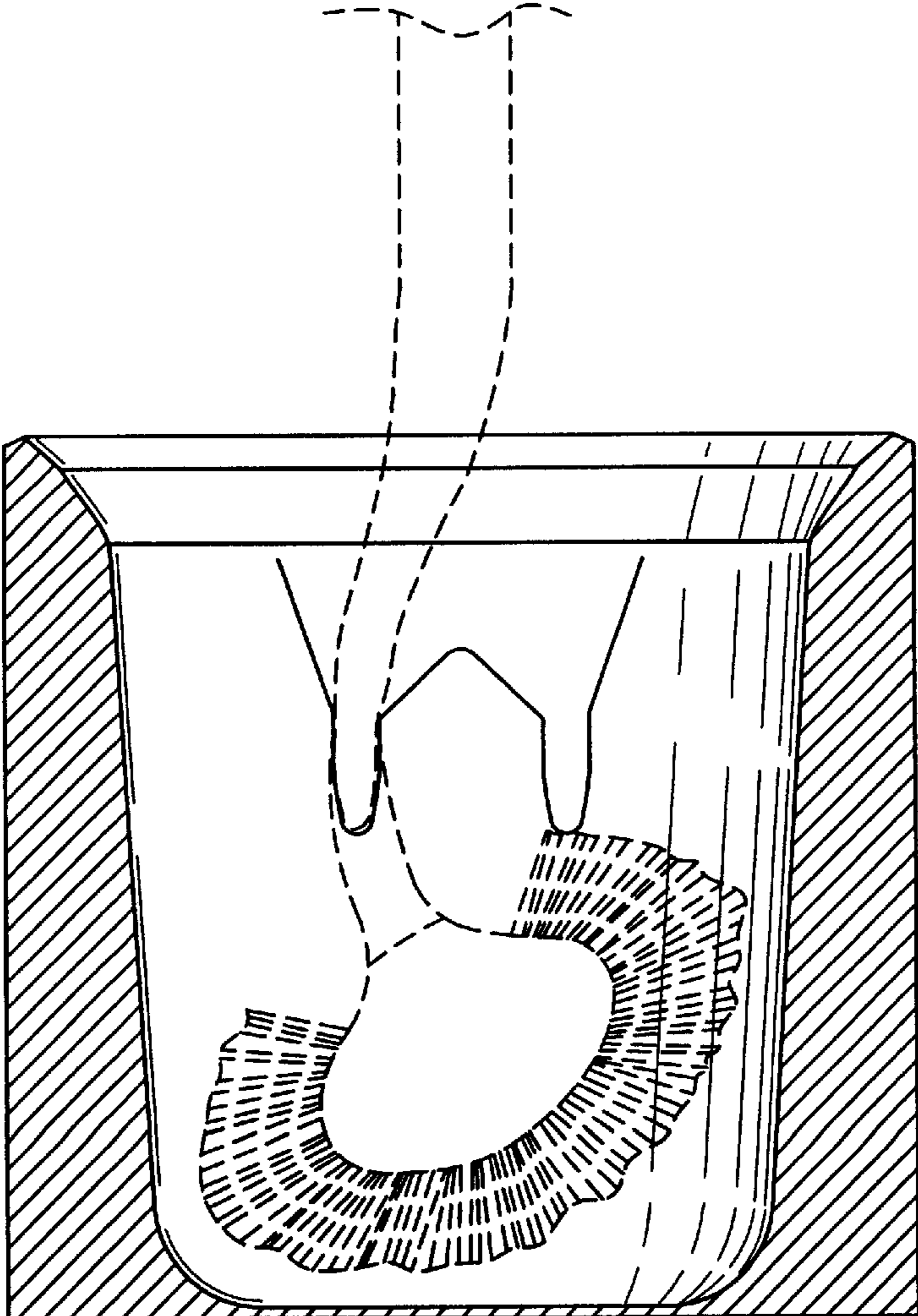


FIG. 10

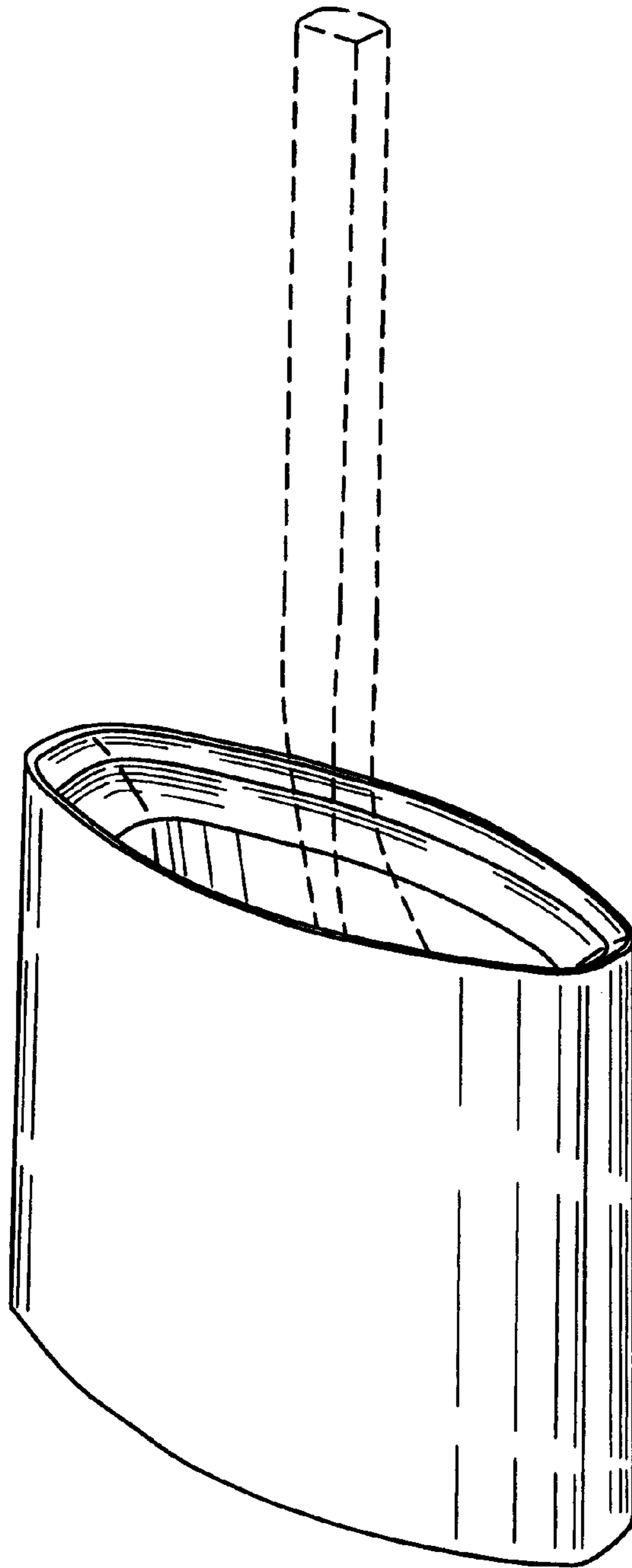


FIG. 11