

US00D500613S

(12) **United States Design Patent** (10) **Patent No.:** **US D500,613 S**
Savage (45) **Date of Patent:** **** Jan. 11, 2005**

(54) **DESK MODULE**

(75) **Inventor:** **Gary Savage, Montréal (CA)**

(73) **Assignee:** **Savage Designers Inc., Montreal (CA)**

(**) **Term:** **14 Years**

(21) **Appl. No.:** **29/187,463**

(22) **Filed:** **Aug. 4, 2003**

(51) **LOC (7) Cl.** **06-04**

(52) **U.S. Cl.** **D6/422**

(58) **Field of Search** **D6/422-428, 477, D6/484; 108/50.01, 50.02; 312/208.1, 194-196**

(56) **References Cited**

U.S. PATENT DOCUMENTS

D169,320 S	*	4/1953	Knoll	D6/422
D175,836 S	*	10/1955	Hirsch	D6/422
D186,516 S	*	11/1959	Anderson	D6/422
D240,580 S	*	7/1976	Podell	D6/424
D247,730 S	*	4/1978	Robinson	D6/422
D372,373 S	*	8/1996	Meier et al.	D6/422
D380,624 S	*	7/1997	Mezger	D6/422
D489,200 S	*	5/2004	Antonioni	D6/484

* cited by examiner

Primary Examiner—Janice E. Seeger

(74) *Attorney, Agent, or Firm*—Jean H. Dubuc

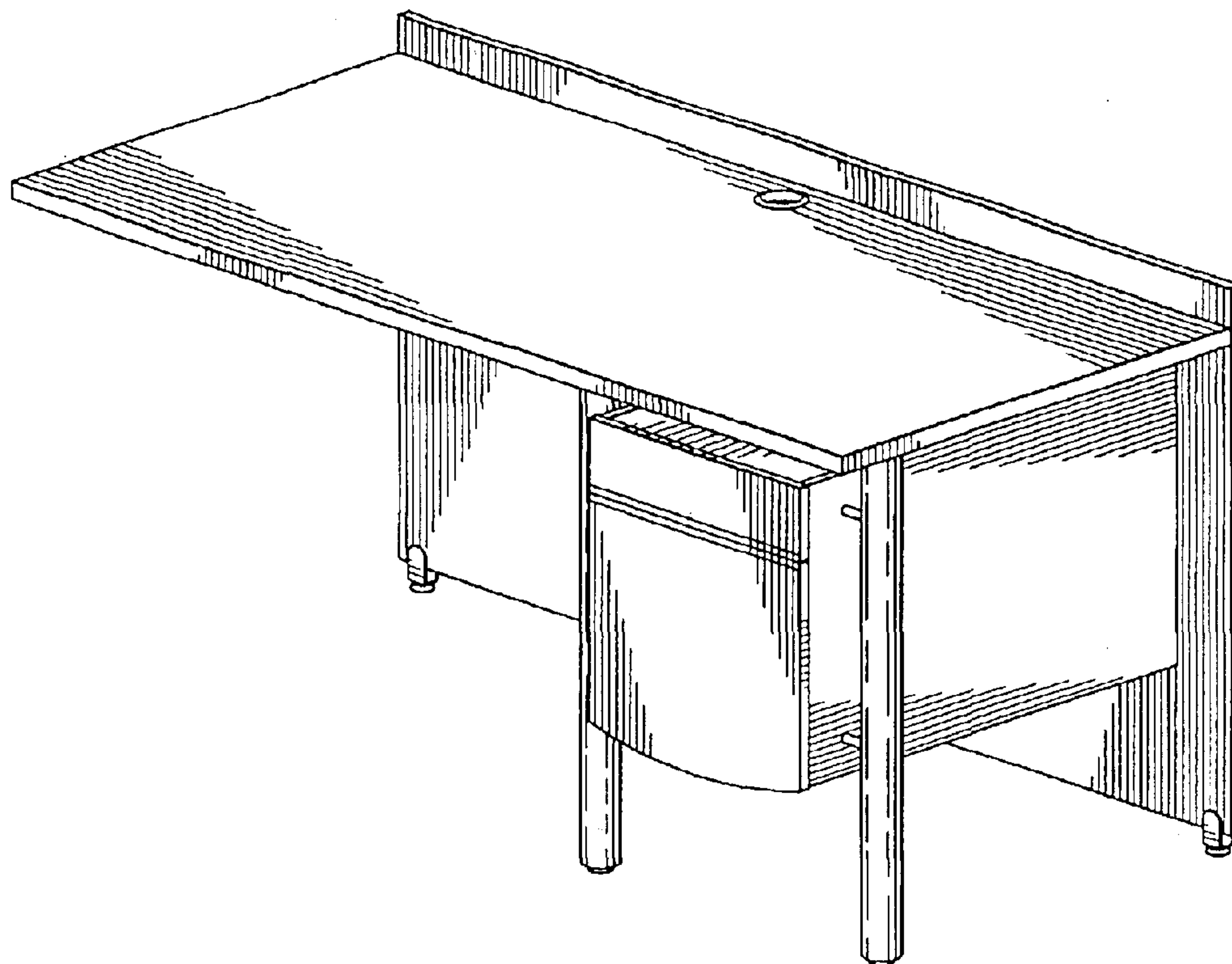
(57) **CLAIM**

The ornamental design for a desk module, as shown and described.

DESCRIPTION

FIG. 1 is a perspective view of a first embodiment of a desk module showing my new design;
 FIG. 2 is a front view thereof;
 FIG. 3 is a side elevation thereof;
 FIG. 4 is an opposite side elevation thereof;
 FIG. 5 is a top view thereof;
 FIG. 6 is a rear view thereof;
 FIG. 7 is a perspective view of a second embodiment of the desk module;
 FIG. 8 is a front view thereof;
 FIG. 9 is a side elevation thereof;
 FIG. 10 is an opposite elevation thereof;
 FIG. 11 is a top view thereof; and
 FIG. 12 is a rear view thereof.
 FIG. 13 is a perspective view of a third embodiment of the desk module;
 FIG. 14 is a front view thereof;
 FIG. 15 is a side elevation thereof;
 FIG. 16 is an opposite elevation thereof;
 FIG. 17 is a top view thereof; and
 FIG. 18 is a rear view thereof.

1 Claim, 9 Drawing Sheets



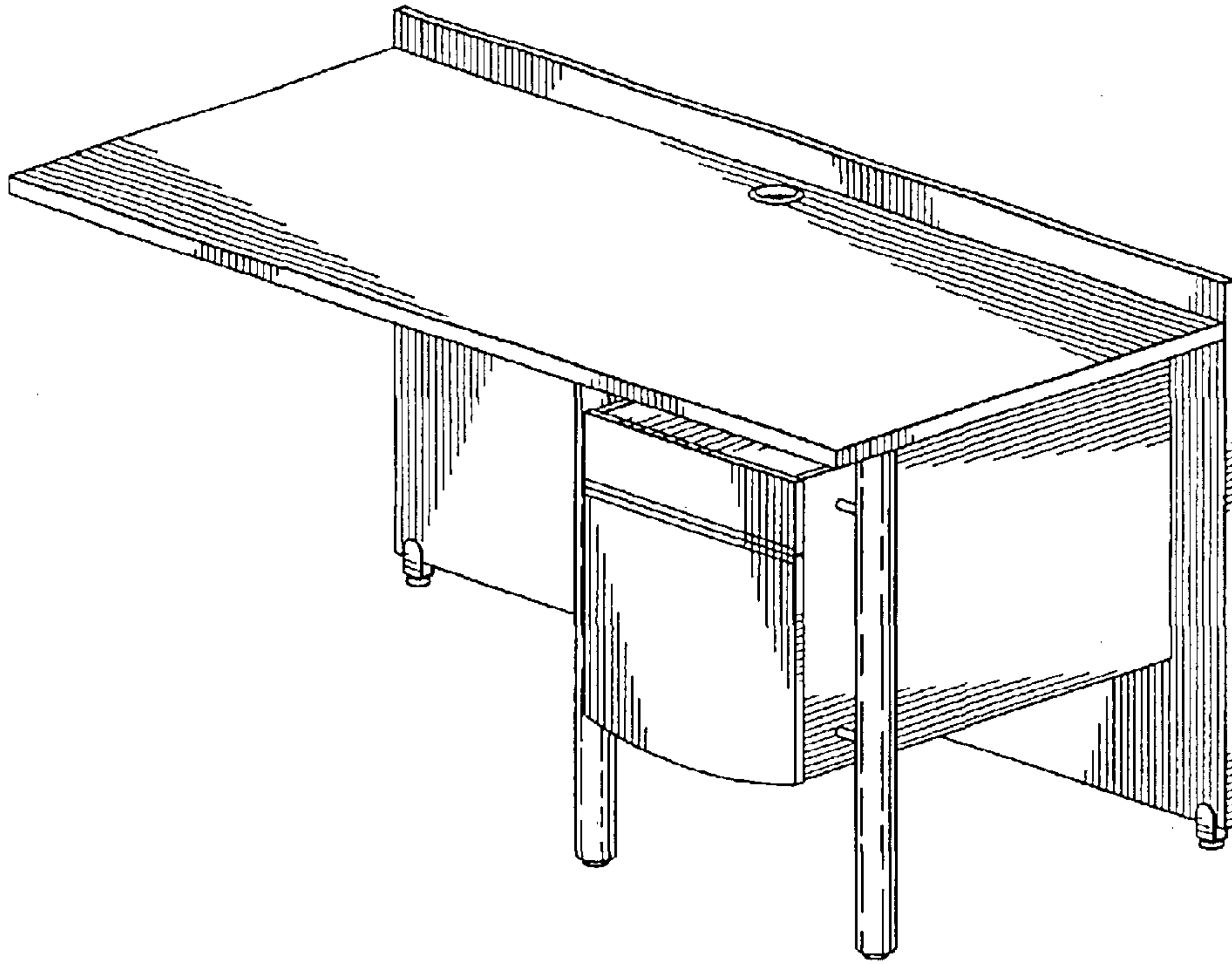


FIG. 1

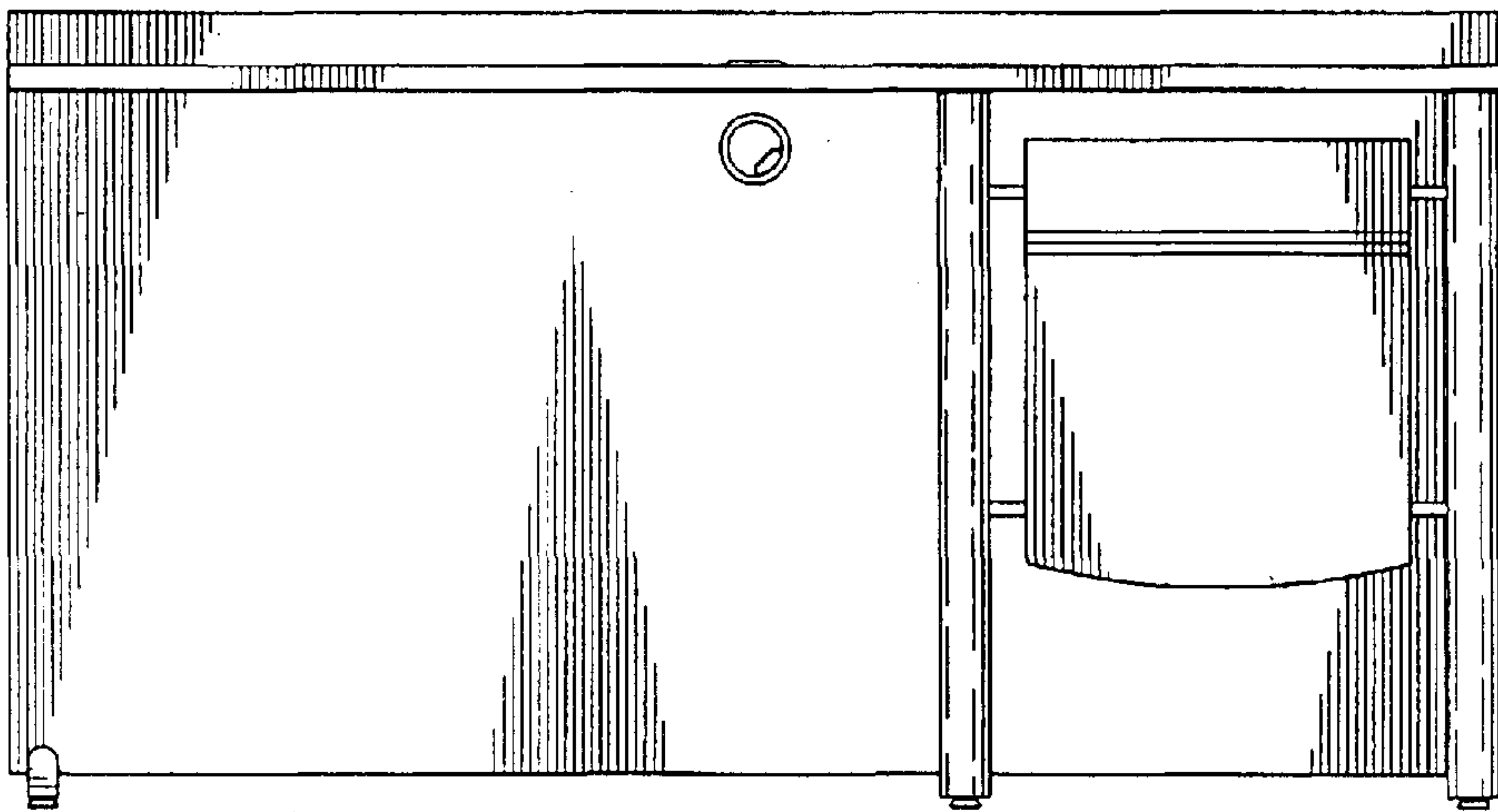


FIG. 2

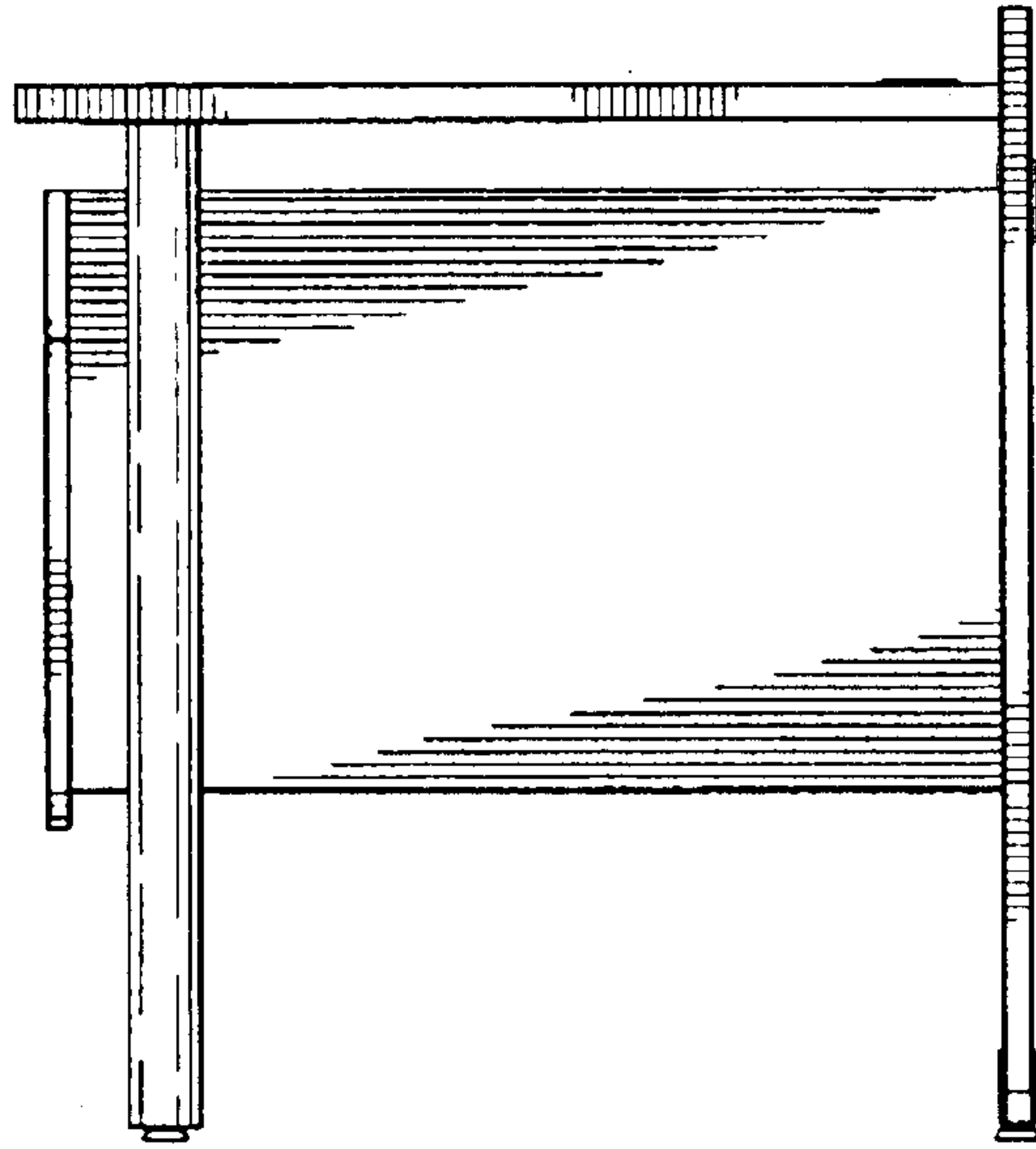


FIG. 3

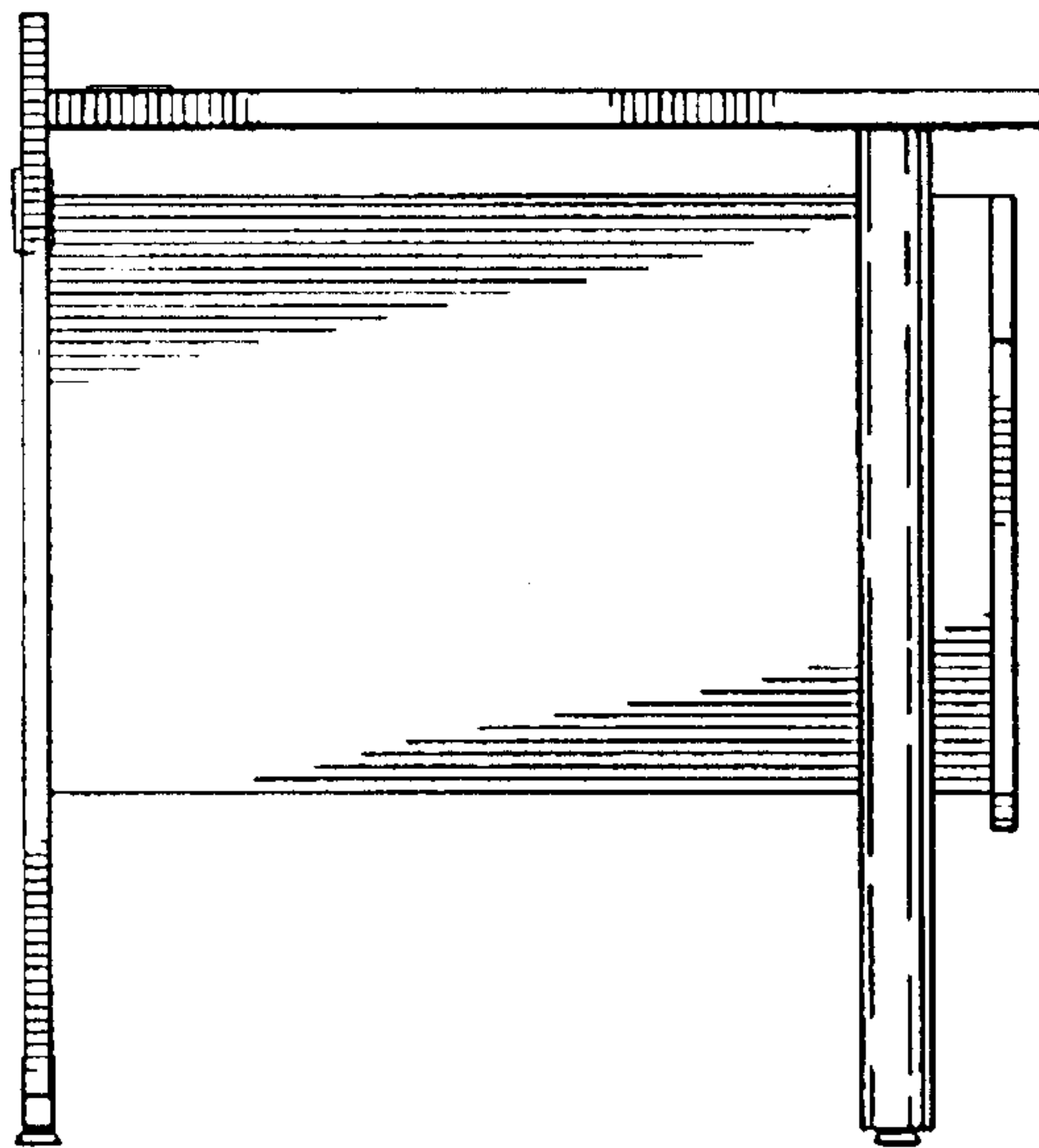


FIG. 4

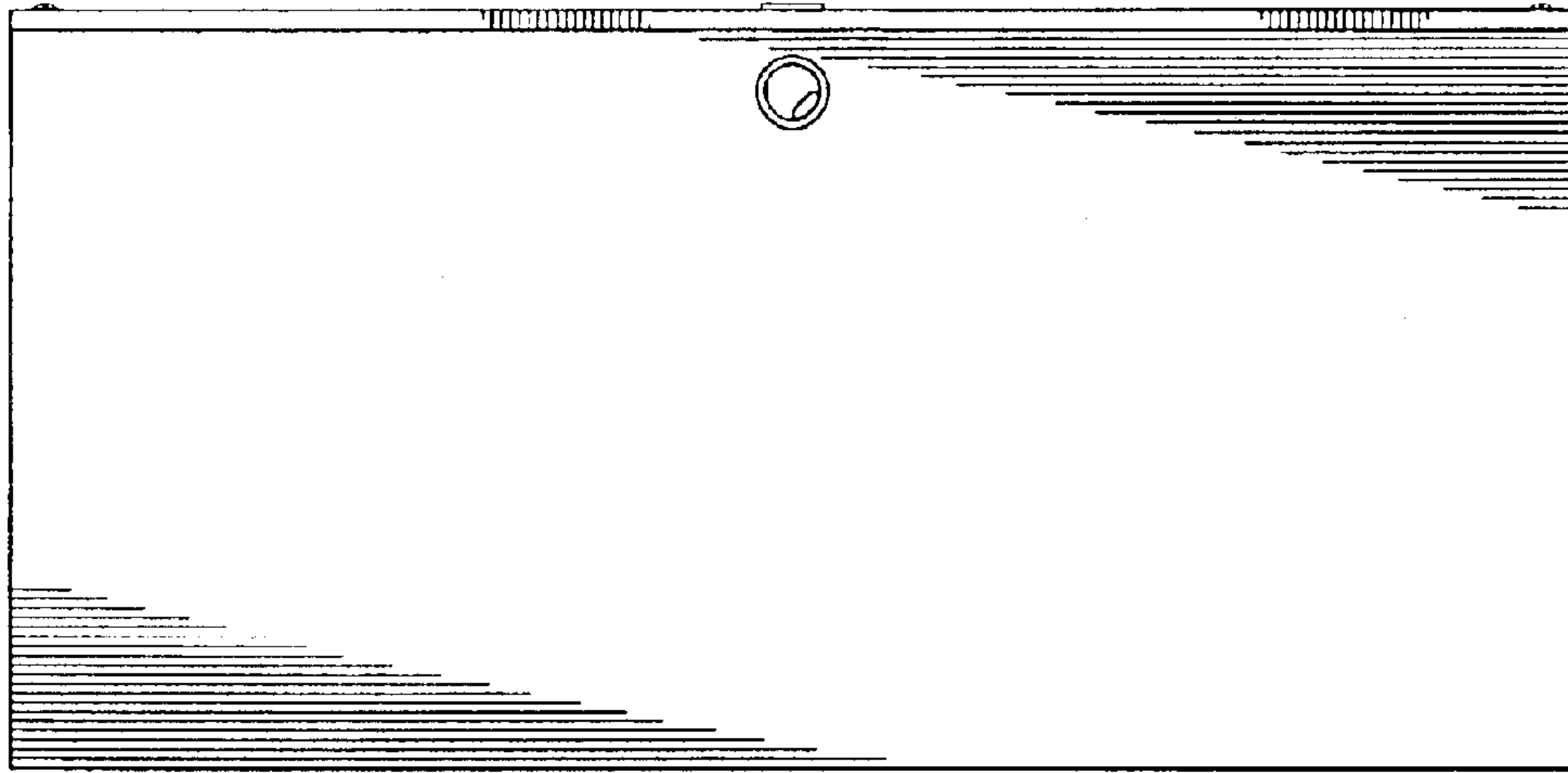


FIG. 5

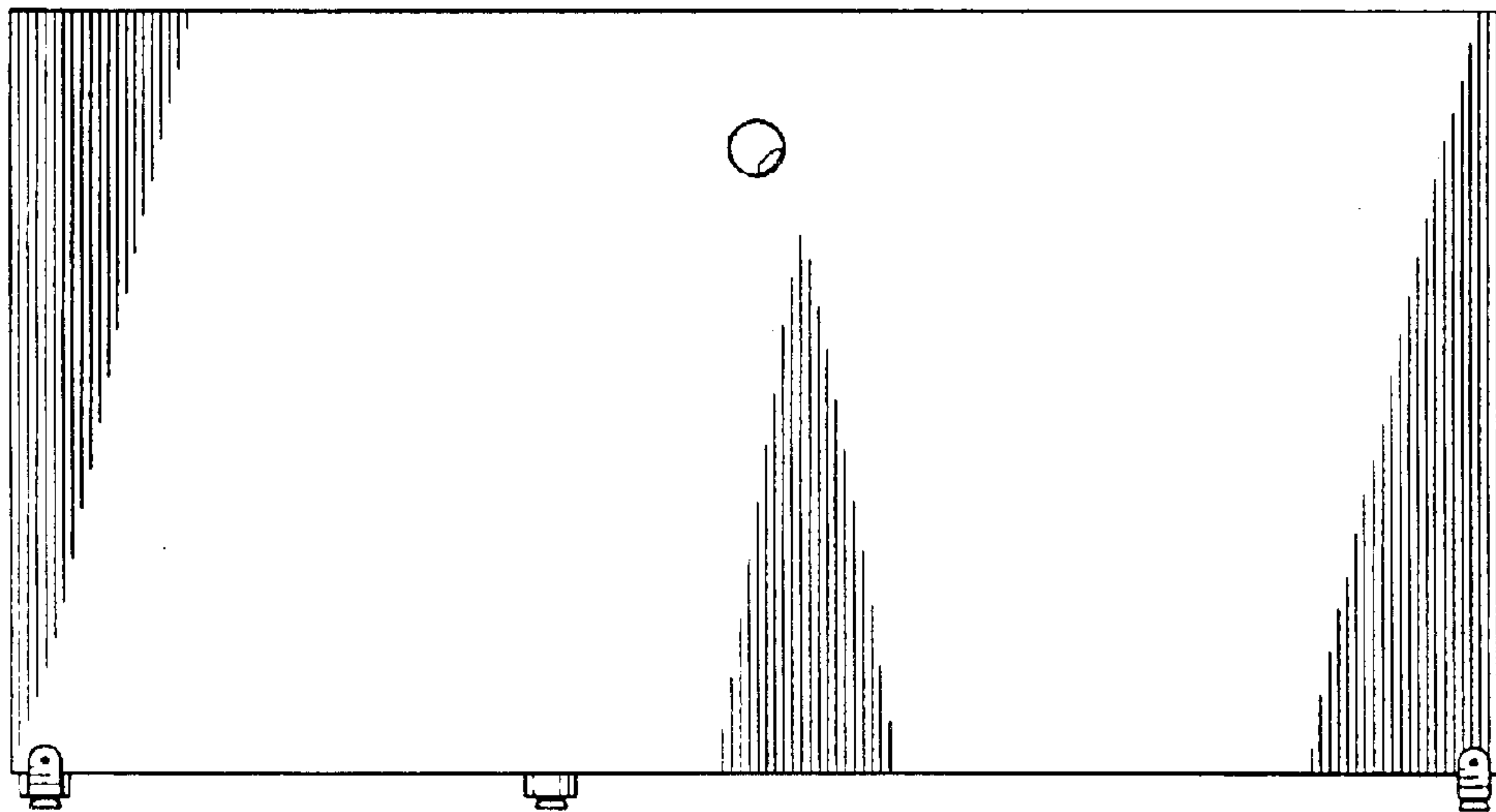
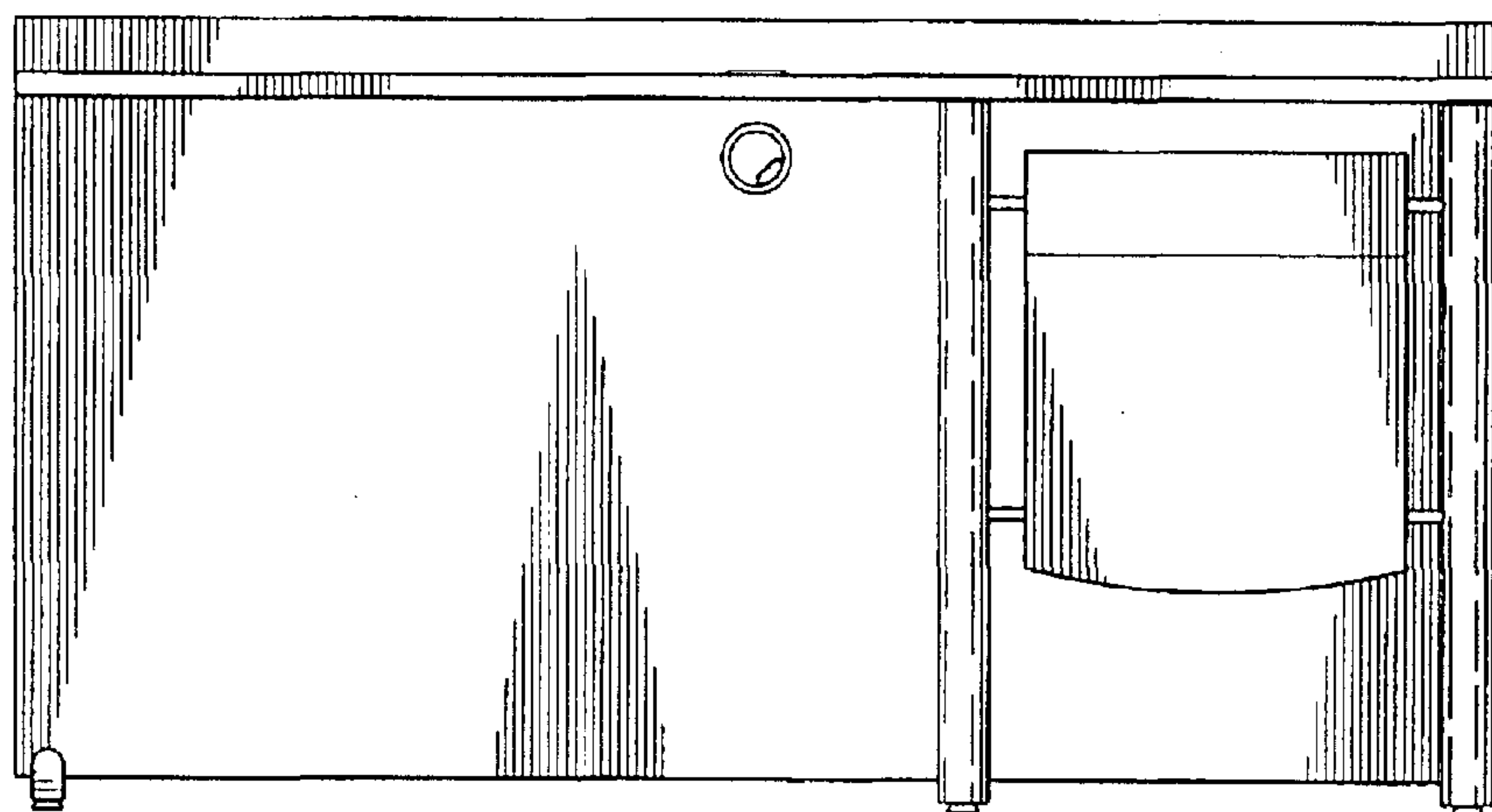
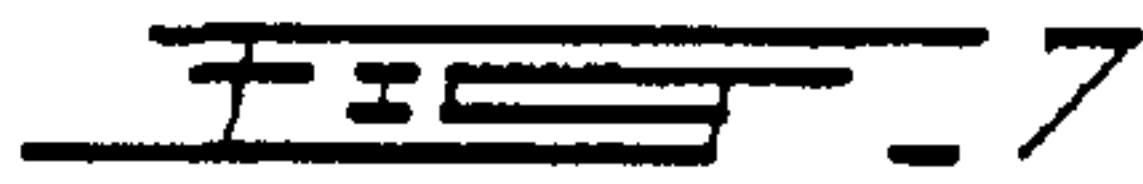
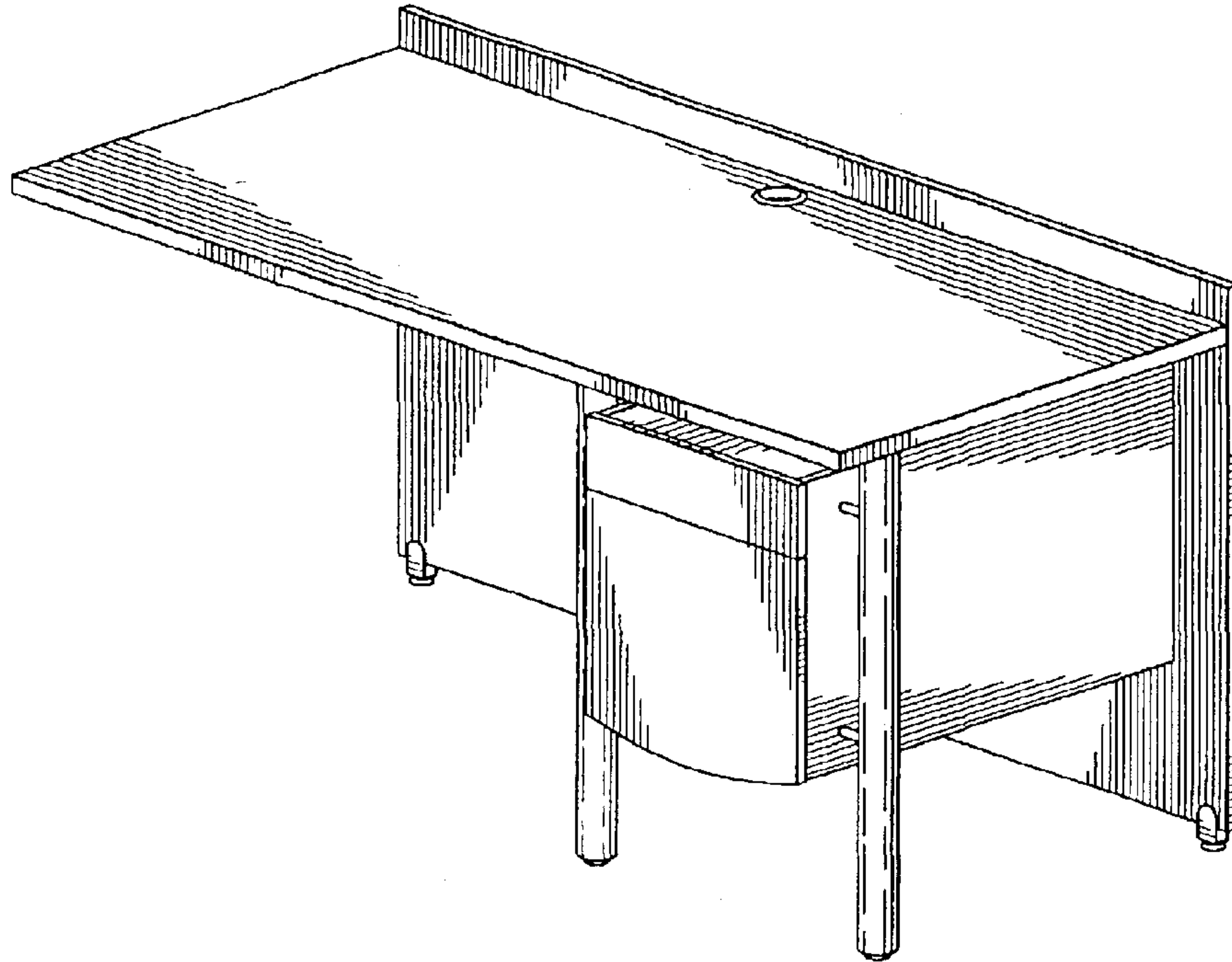
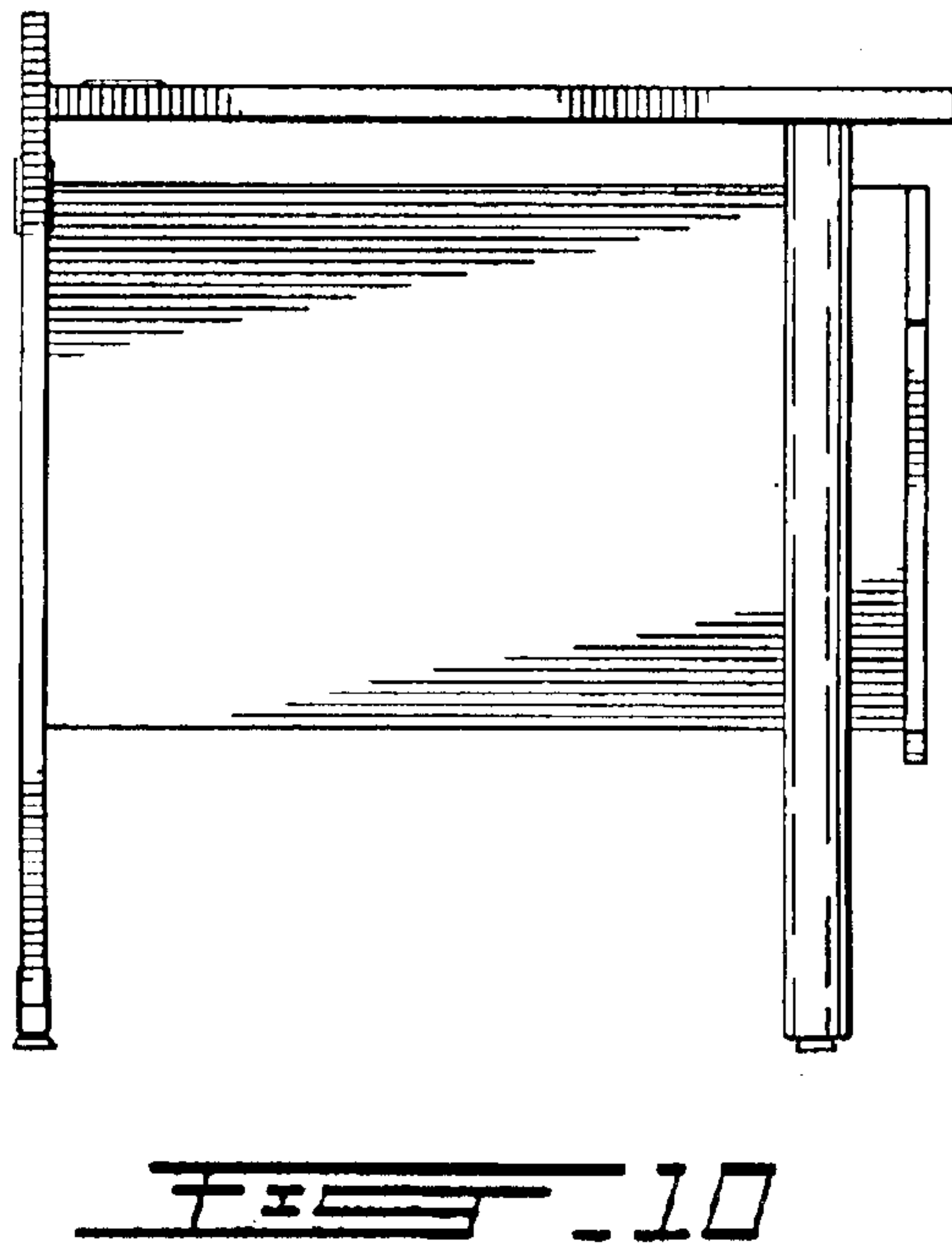
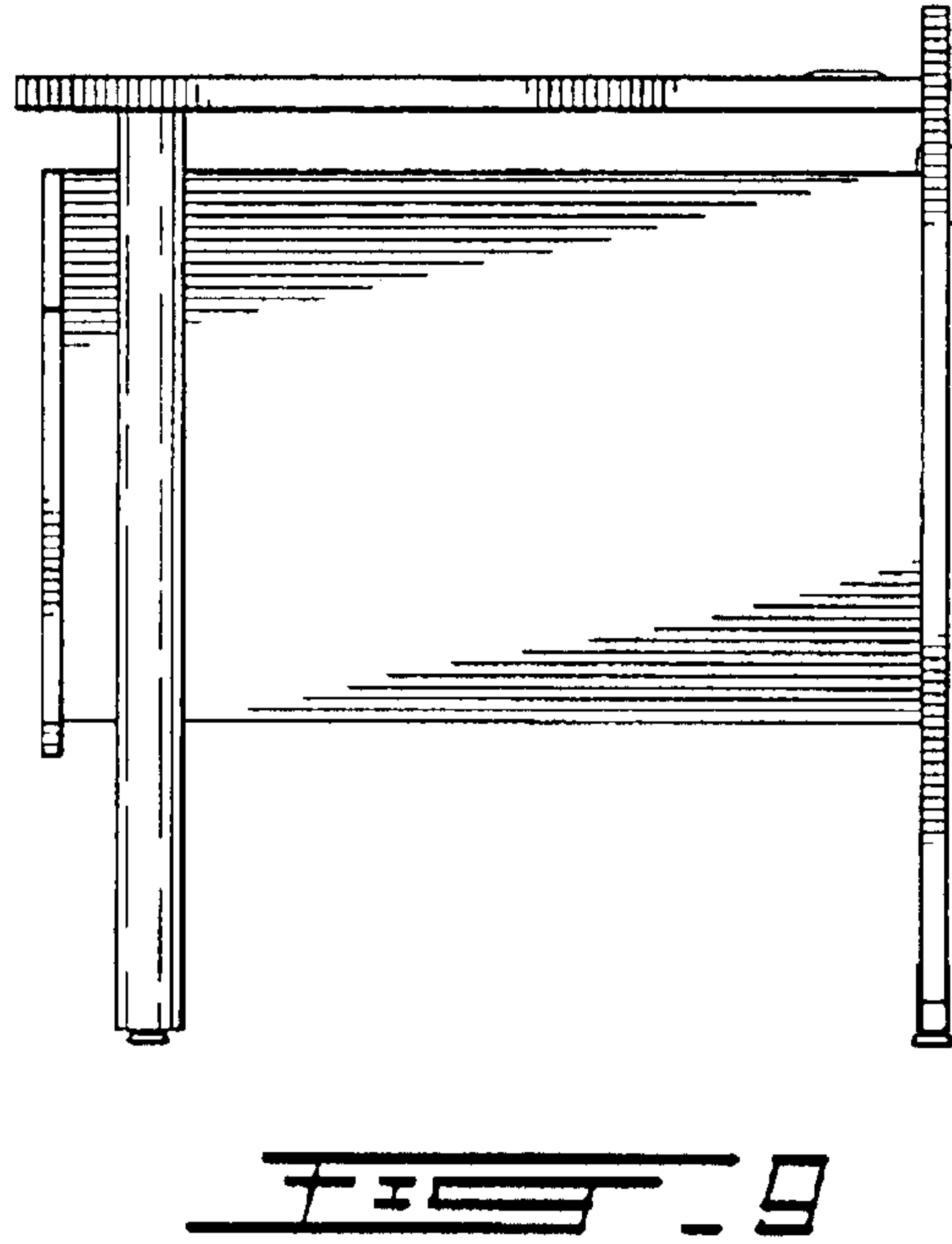


FIG. 6





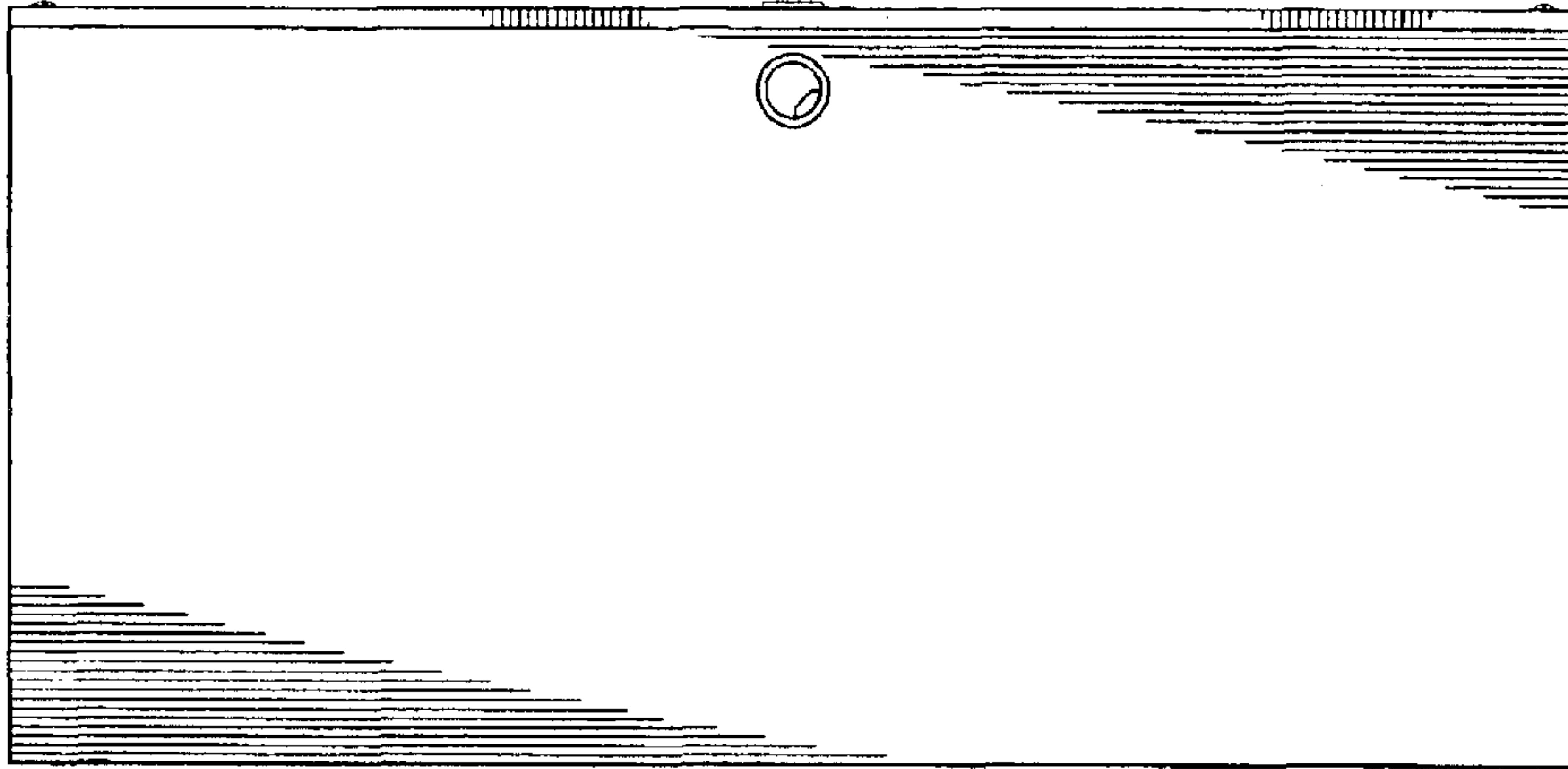


FIG. 11

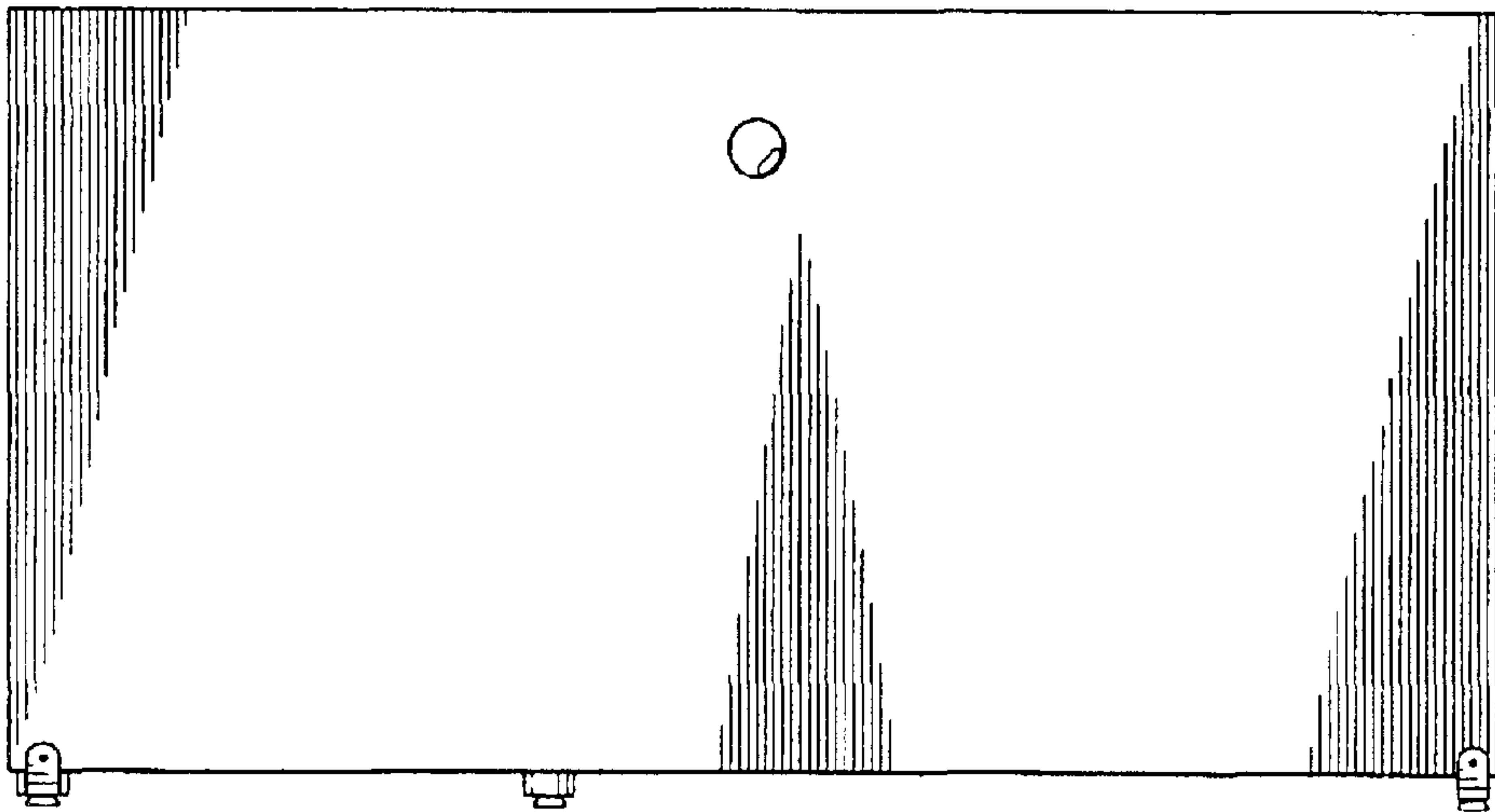


FIG. 12

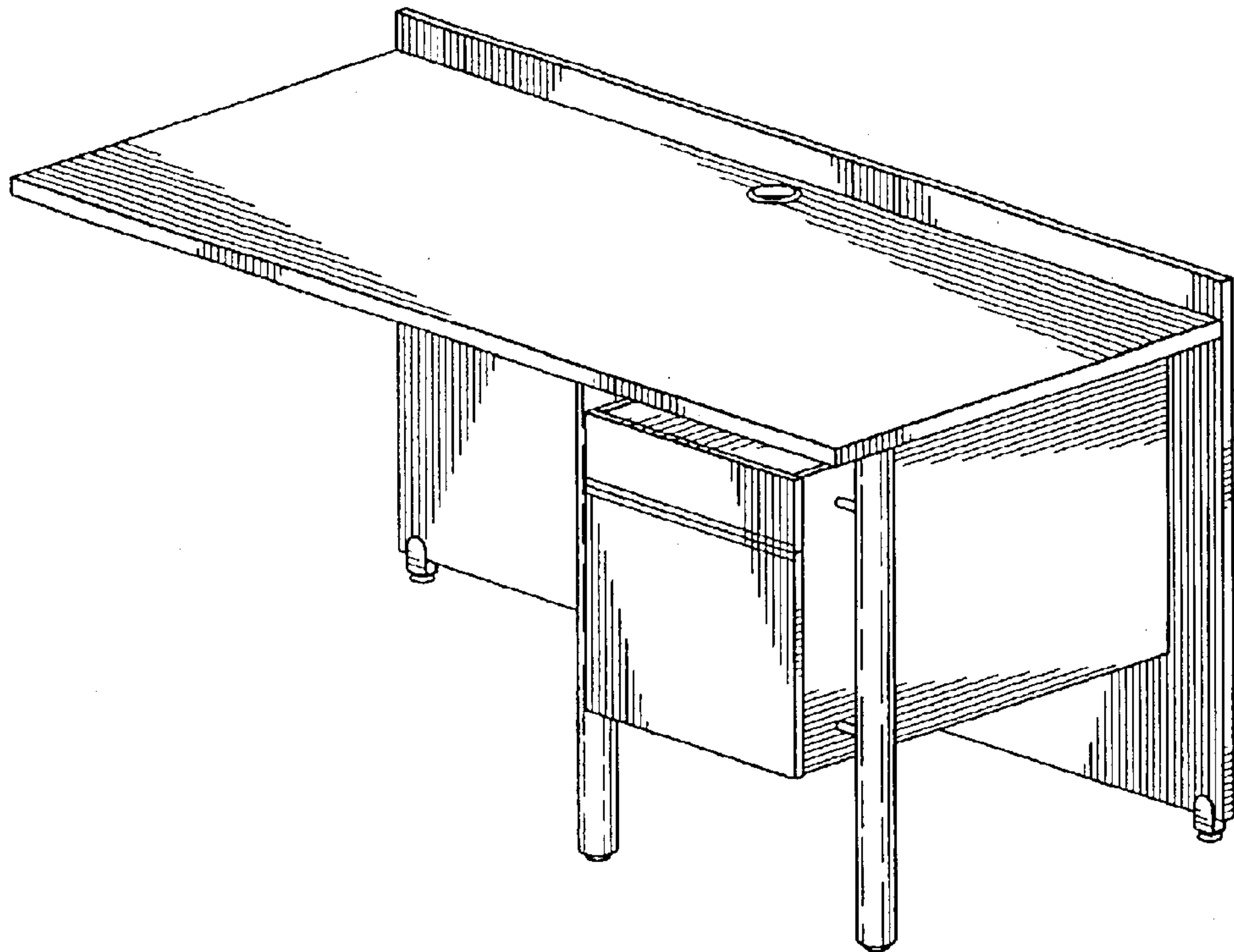


FIG. 13

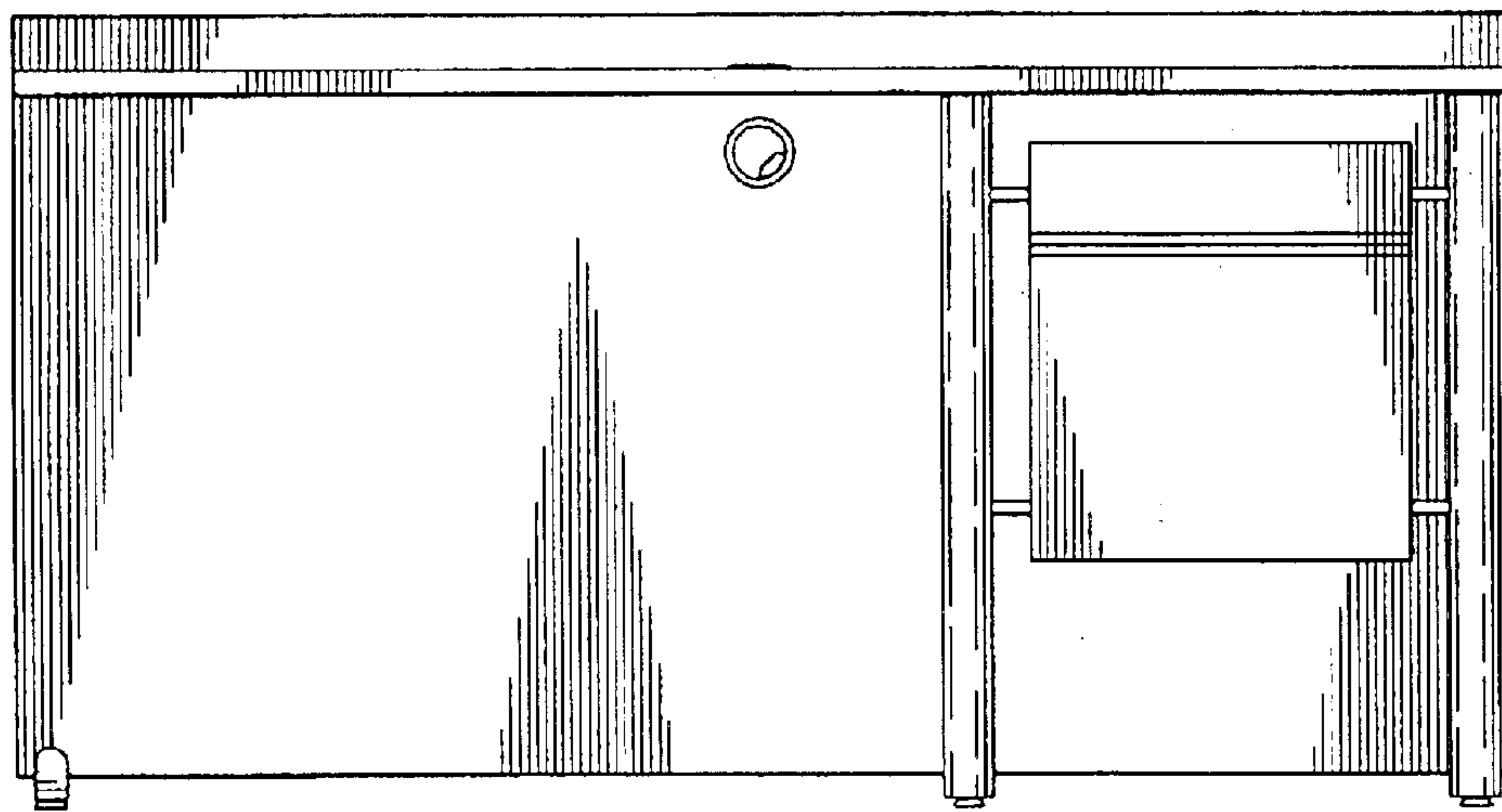


FIG. 14

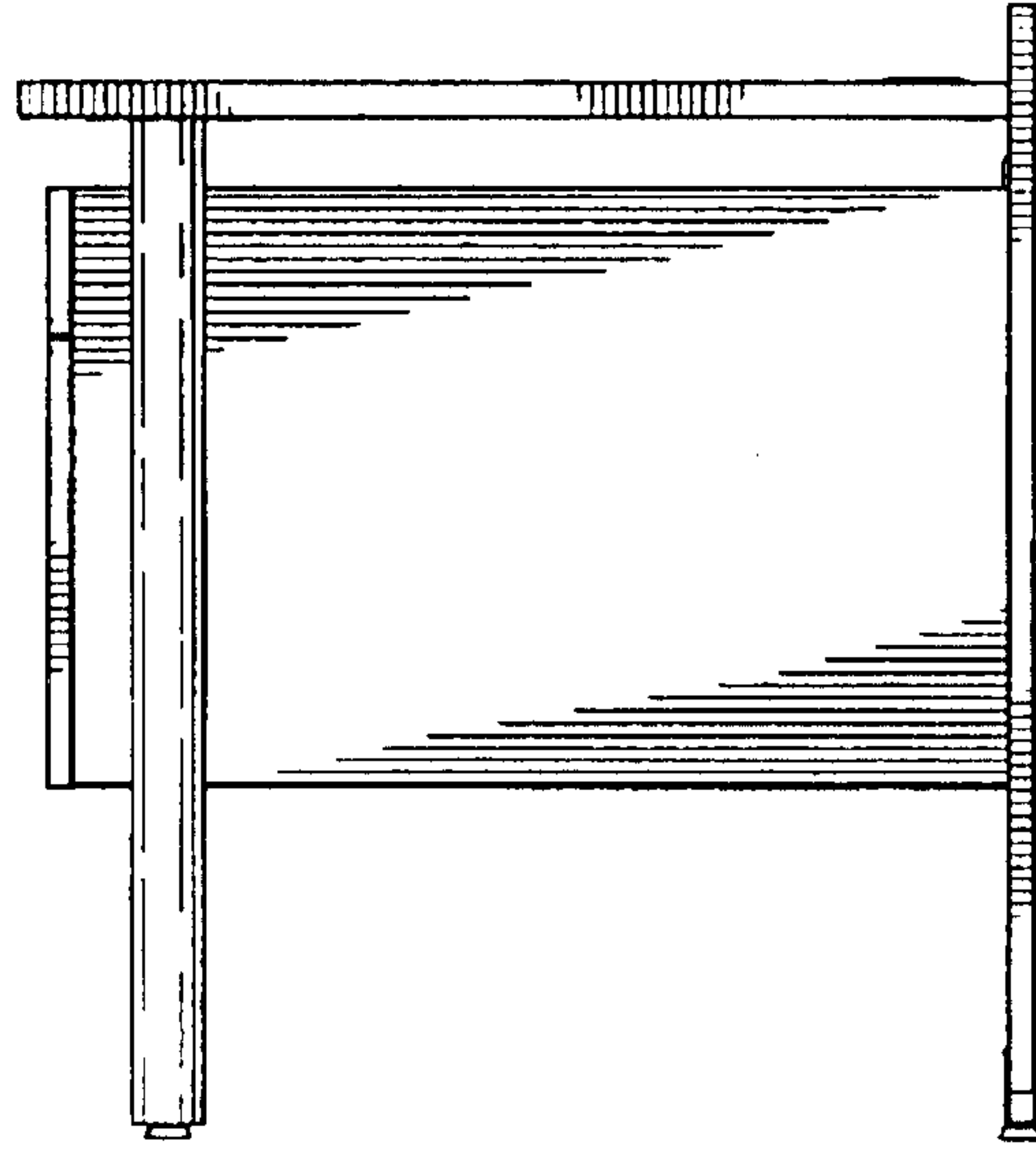


FIG. 15

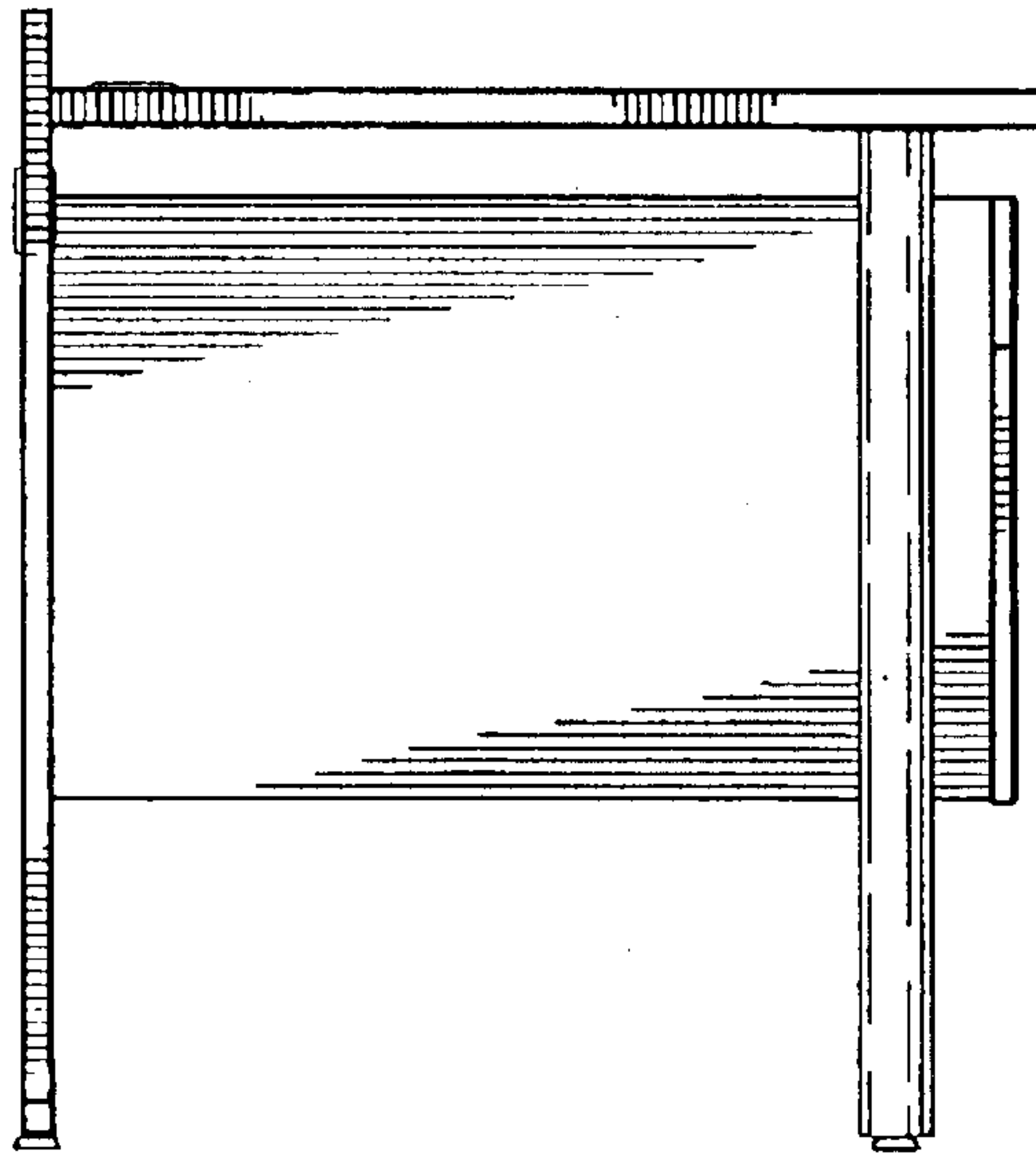


FIG. 16

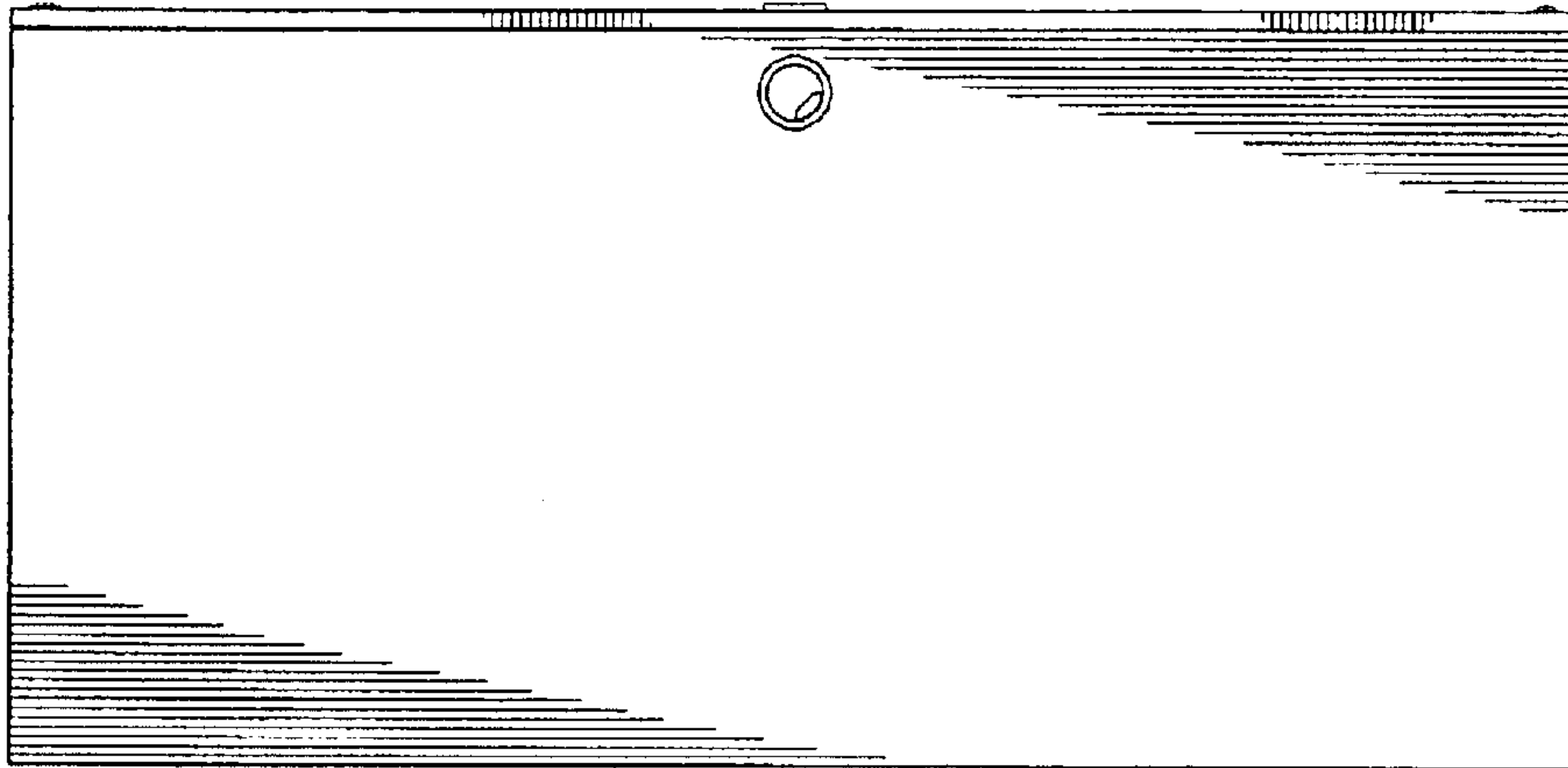


FIG. 17

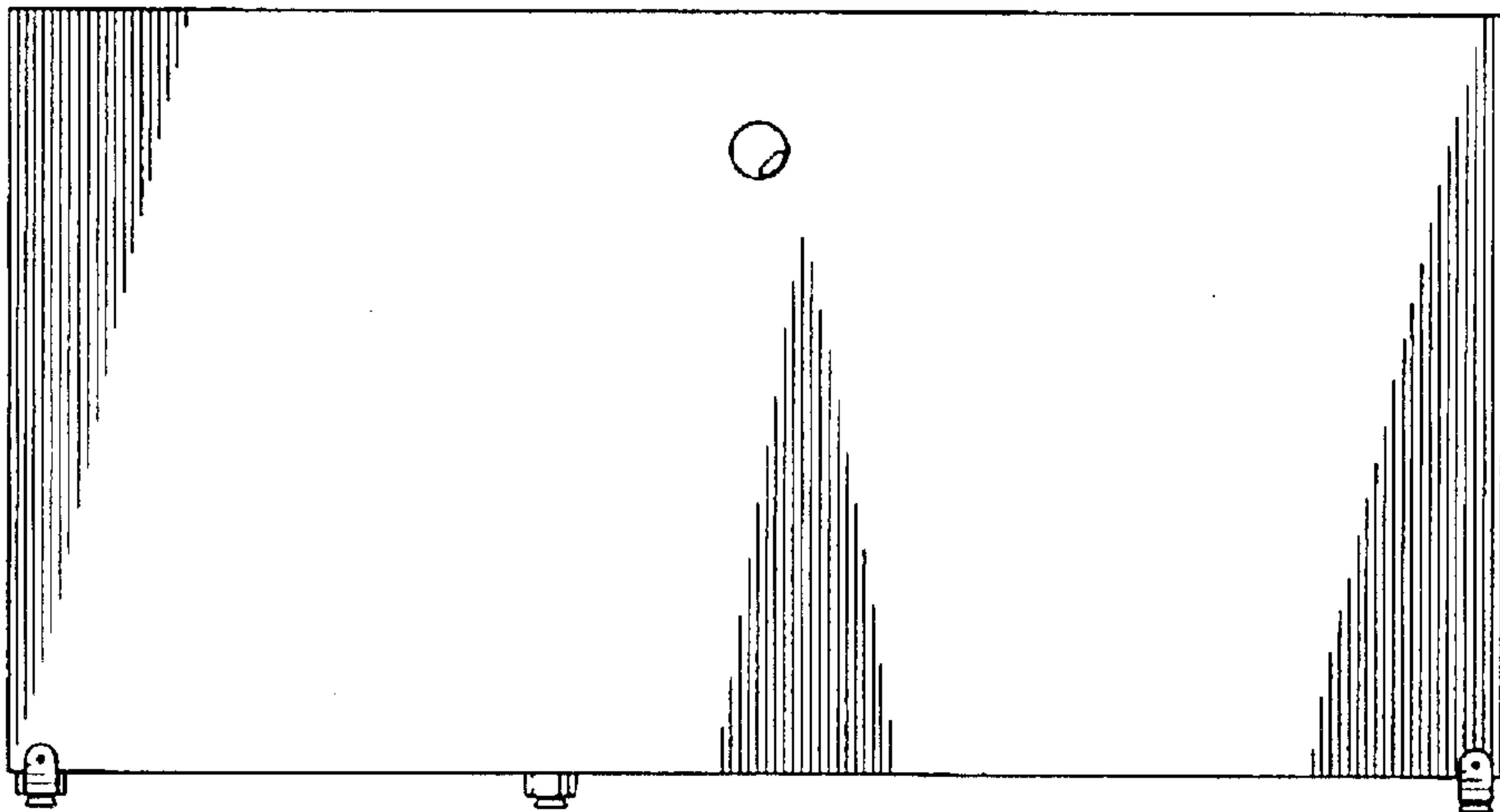


FIG. 18