

US00D500611S

(12) **United States Design Patent**
Moore, Jr.

(10) **Patent No.:** **US D500,611 S**

(45) **Date of Patent:** **** Jan. 11, 2005**

(54) **BED**

(75) **Inventor:** **W. Dudley Moore, Jr.**, High Point, NC (US)

(73) **Assignee:** **Naughan-Bassett Furniture Co., Inc.**, Galax, VA (US)

(**) **Term:** **14 Years**

(21) **Appl. No.:** **29/180,479**

(22) **Filed:** **Apr. 24, 2003**

(51) **LOC (7) Cl.** **06-01**

(52) **U.S. Cl.** **D6/395**

(58) **Field of Search** D6/388, 389, 392-395, D6/505-508, 382-384; 5/53.1, 279.1, 280, 281, 907, 2.1

(56) **References Cited**

U.S. PATENT DOCUMENTS

| | | | | | |
|------------|---|--------|----------------|-------|--------|
| D255,298 S | * | 6/1980 | West | | D6/395 |
| D368,179 S | * | 3/1996 | Brunner et al. | | D6/395 |
| D398,794 S | * | 9/1998 | Draheim | | D6/508 |

OTHER PUBLICATIONS

Thomasville, Replicas 1800, Bedroom, front cover, May 1997.*

Thomasville, Oyster Bay, May 1990, p. 5.*

Ethan Allen, p. 141 bed #4 in center.*

Leah Rosch; "Staircase Ascent"; book entitled "American Farmhouses Country Style and Design"; 2002; pp. 55 and 188; Simon & Schuster, publisher, New York, NY.

* cited by examiner

Primary Examiner—Janice E. Seeger

(74) *Attorney, Agent, or Firm*—Womble Carlyle Sandridge & Rice, PLLC; C. Robert Rhodes

(57) **CLAIM**

The ornamental design for a bed, as shown and described.

DESCRIPTION

FIG. 1 is a left front perspective view of a bed showing my new design;

FIG. 2 is a side elevational view, the opposite side being a mirror image of the side shown;

FIG. 3 is a front elevational view of the headboard of the bed of FIG. 1;

FIG. 4 is a front elevational view of the footboard of FIG. 1;

FIG. 5 is a rear perspective view of the footboard;

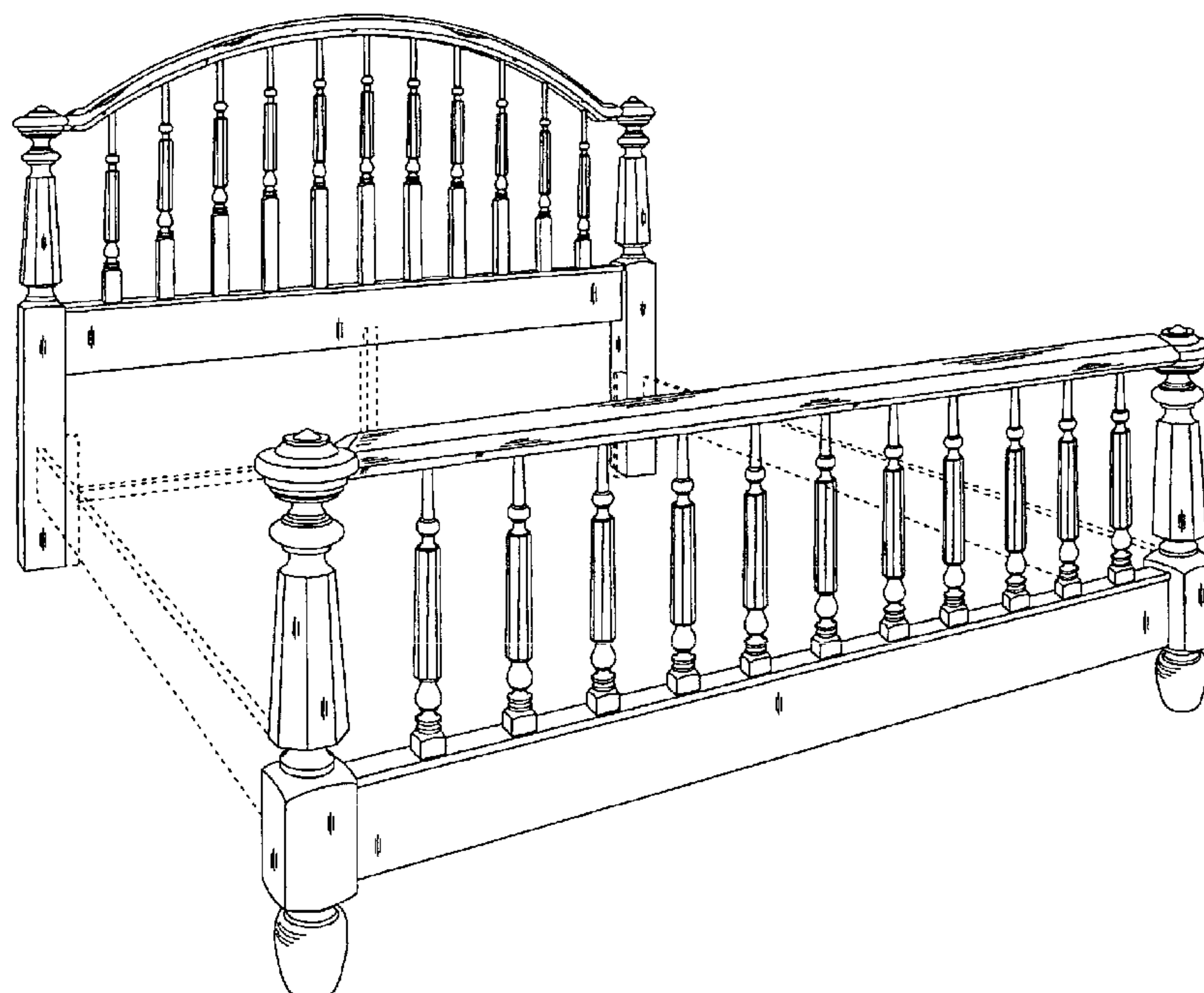
FIG. 6 is an enlarged perspective view of the upper portion of one of the corner posts, illustrating the rail top contour thereon;

FIG. 7 is an enlarged cross-sectional view taken along line 7-7 in FIG. 3 and showing the top railing cross member of the headboard; and,

FIG. 8 is a left front perspective view of a headboard illustrating a second embodiment of my new design.

The headboard and footboard are shown separately for convenience of illustration.

1 Claim, 8 Drawing Sheets



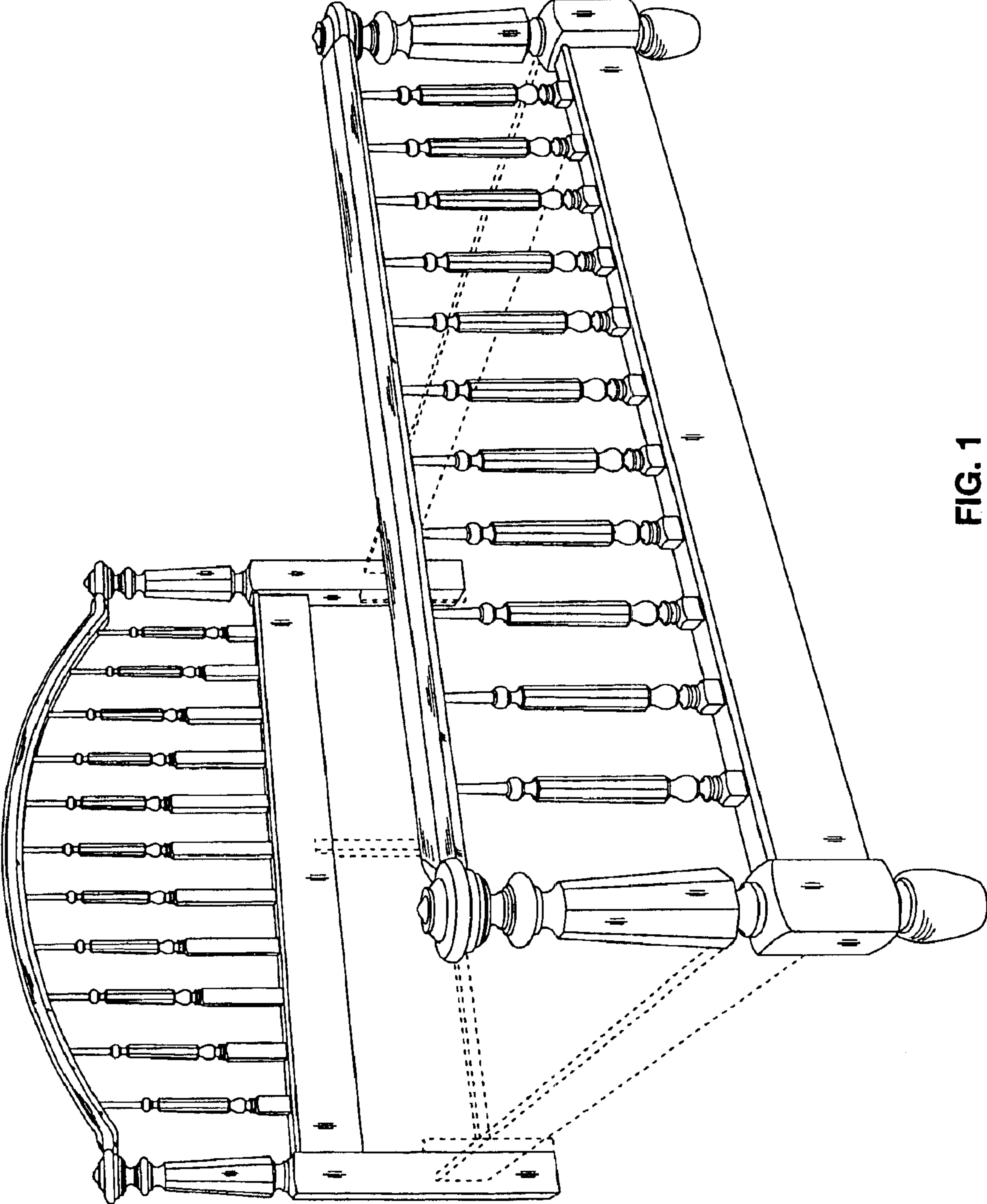


FIG. 1

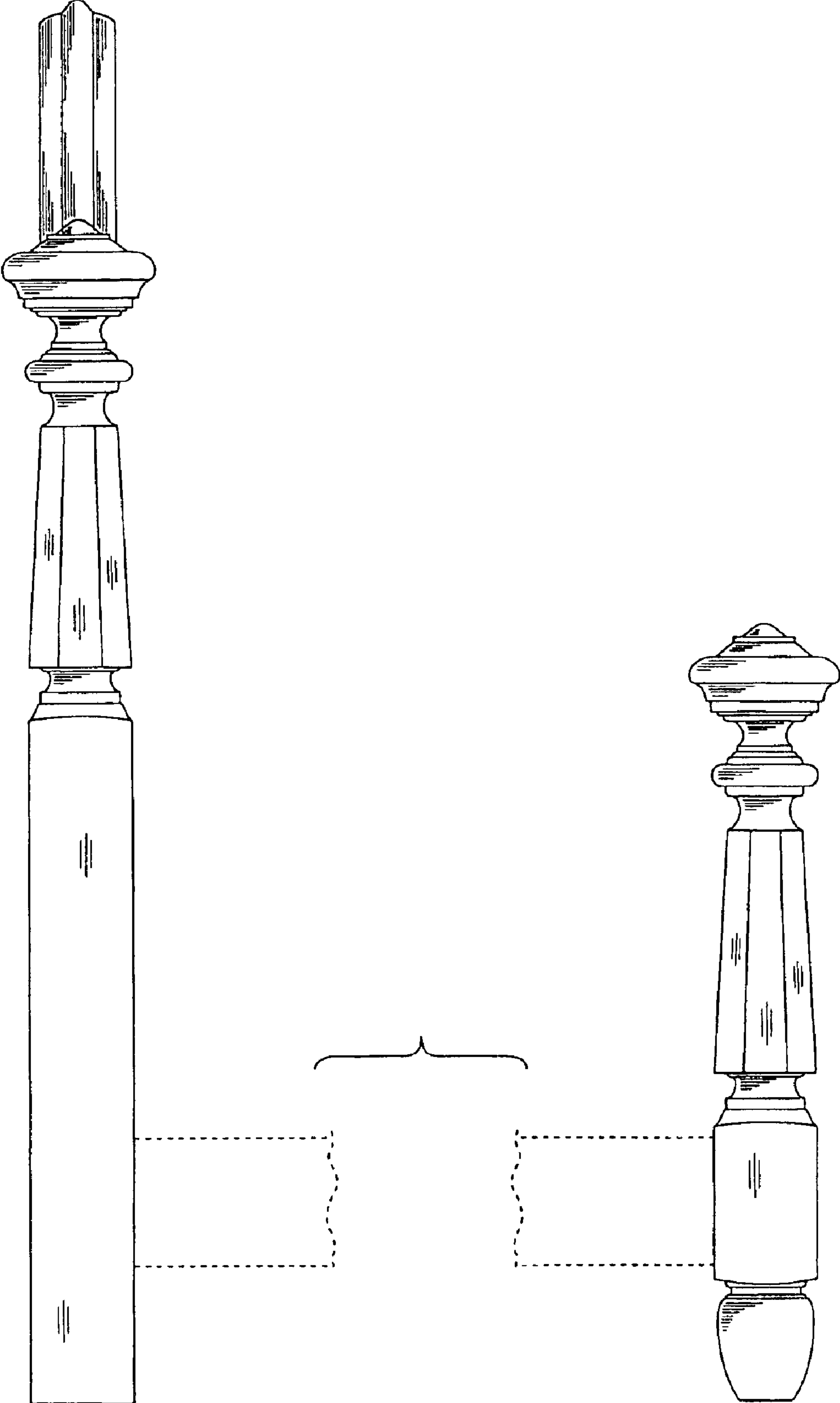


FIG. 2

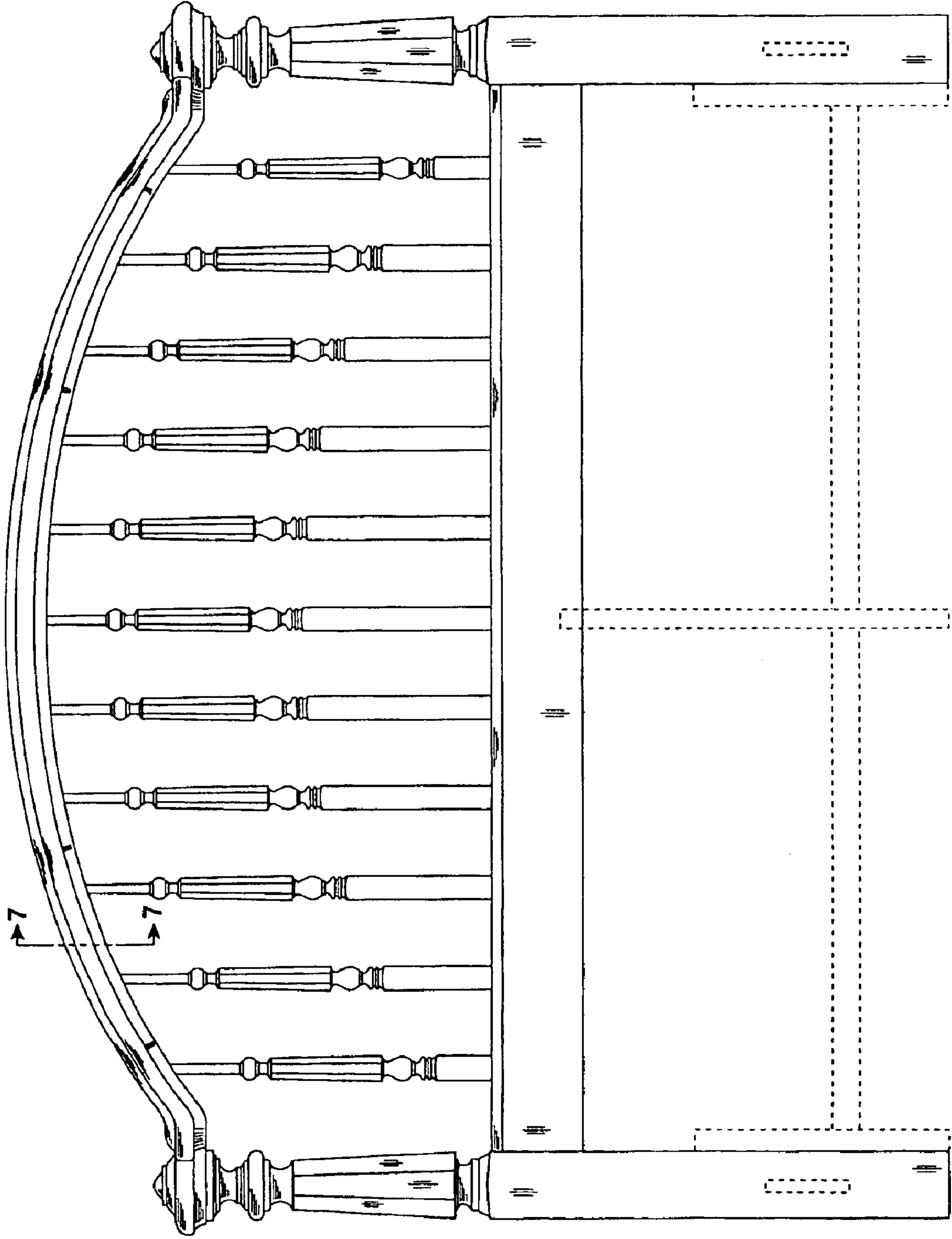


FIG. 3

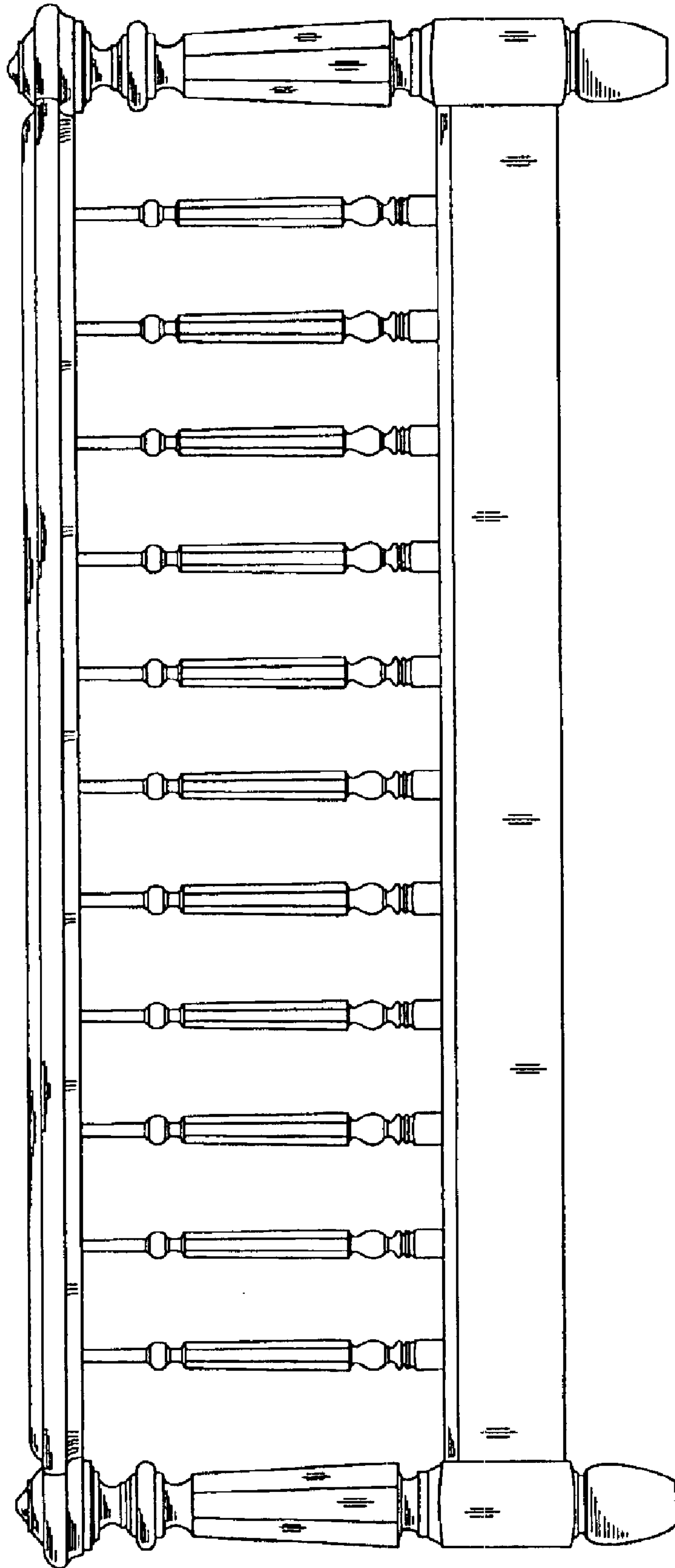


FIG. 4

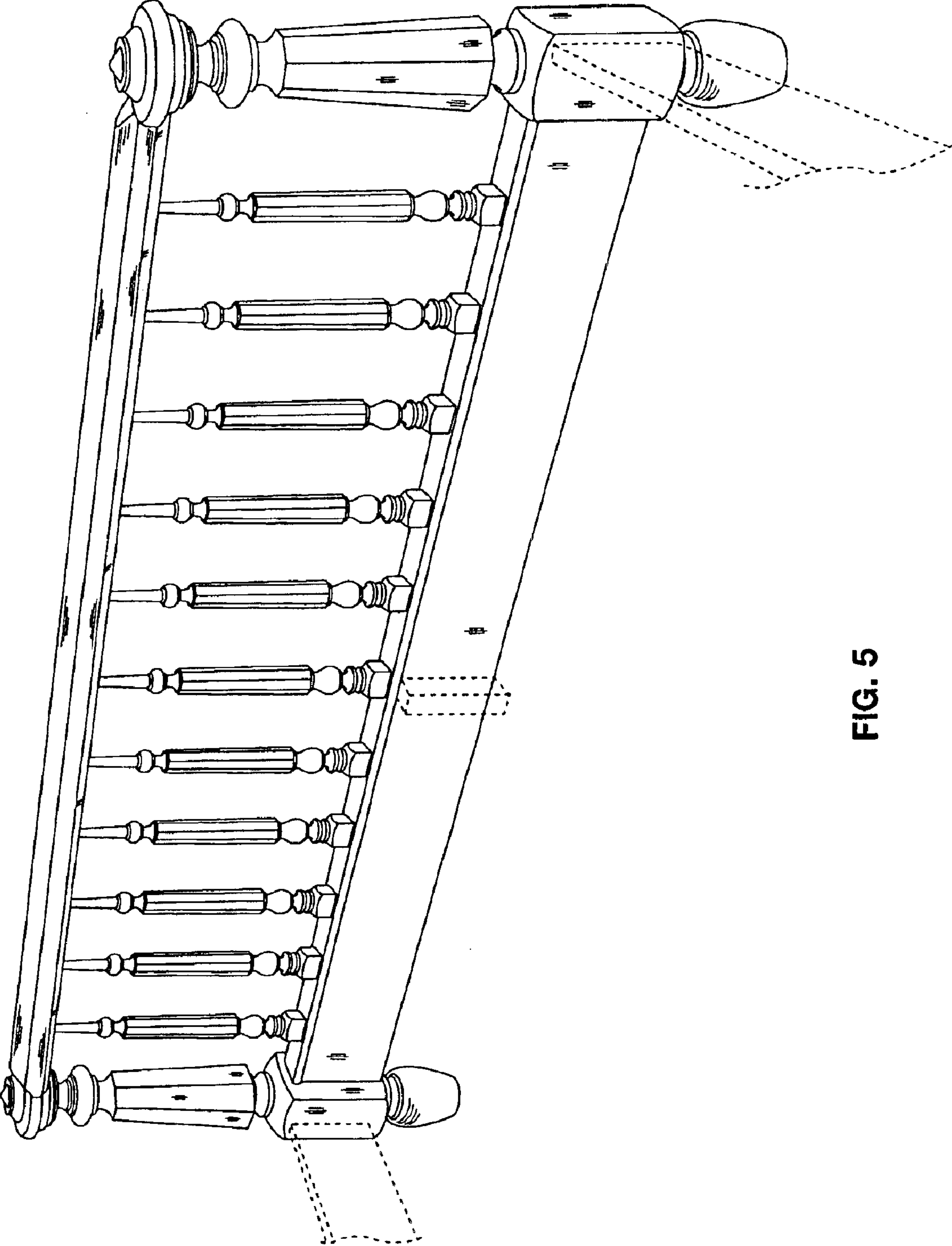


FIG. 5

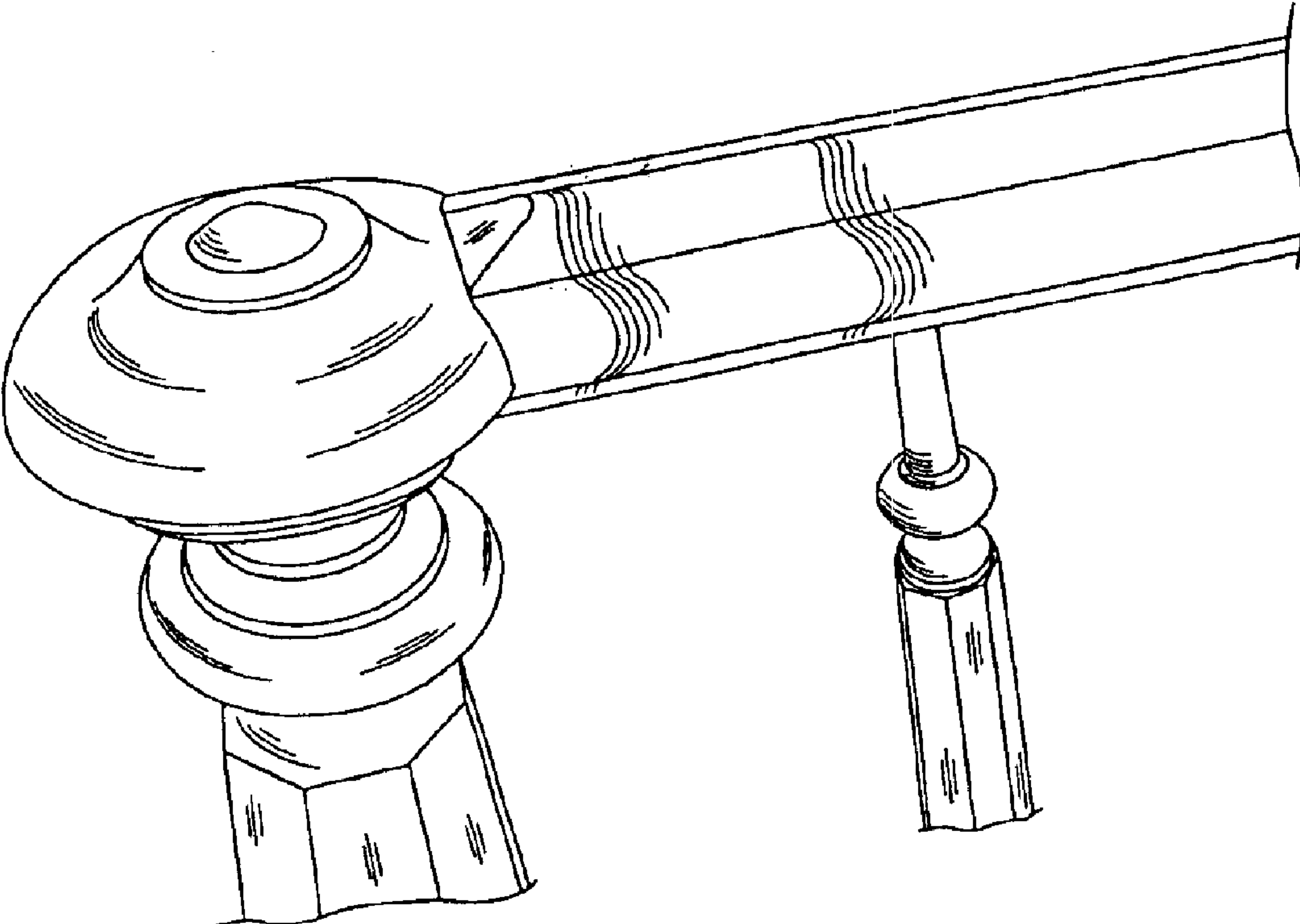


FIG. 6

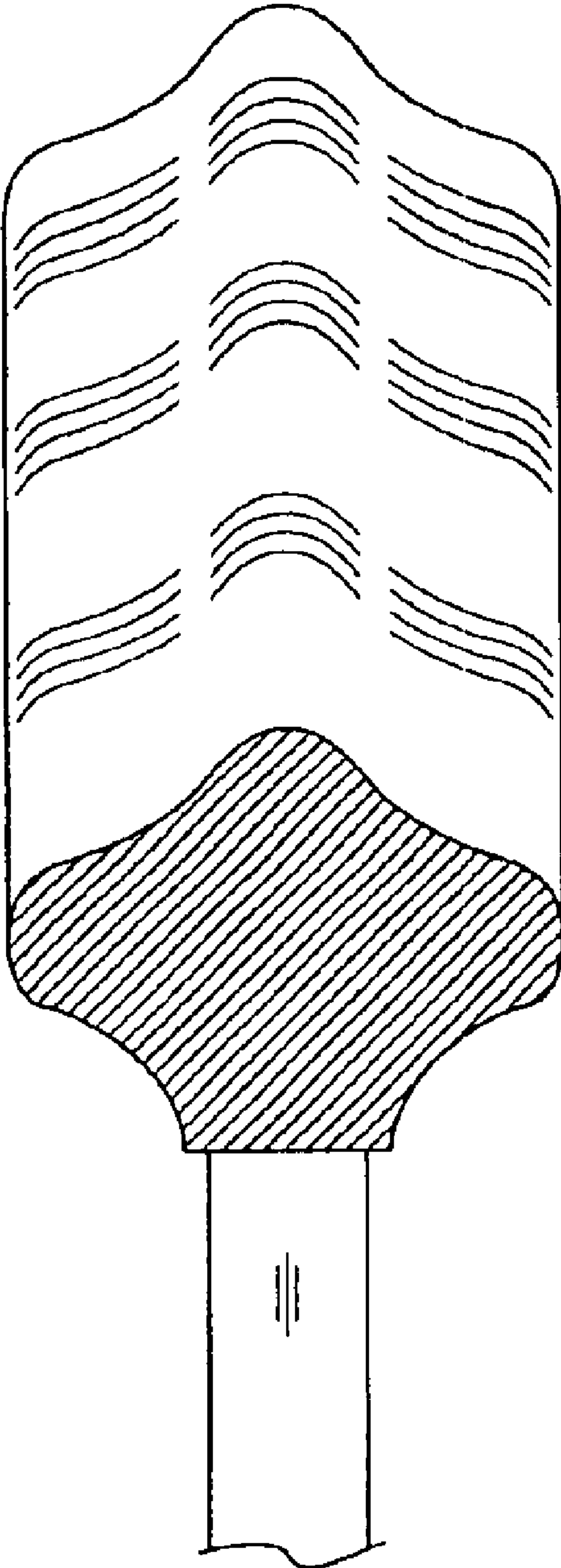


FIG. 7

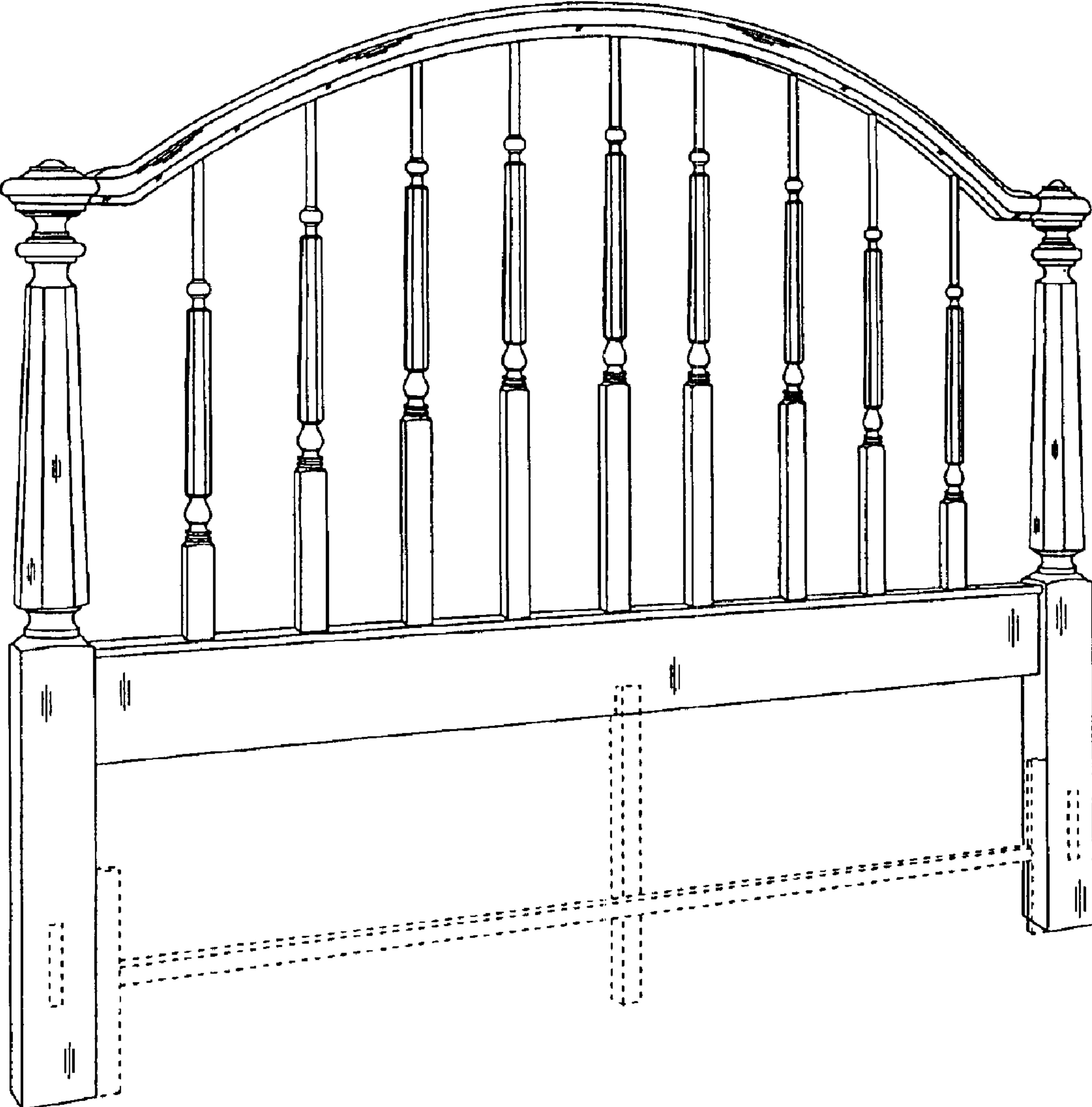


FIG. 8

UNITED STATES PATENT AND TRADEMARK OFFICE
CERTIFICATE OF CORRECTION

PATENT NO. : Des. 500,611 S
DATED : January 11, 2005
INVENTOR(S) : W. Dudley Moore, Jr.

Page 1 of 1

It is certified that error appears in the above-identified patent and that said Letters Patent is hereby corrected as shown below:

Title page,

Item [73], Assignee, cancel “**Naughan-Bassett Furniture Co., Inc.**” and insert the following -- Assignee: **Vaughan-Bassett Furniture Co., Inc.** --

Signed and Sealed this

Third Day of May, 2005

A handwritten signature in black ink on a light gray dotted background. The signature reads "Jon W. Dudas" in a cursive style.

JON W. DUDAS

Director of the United States Patent and Trademark Office