

US00D500607S

(12) **United States Design Patent**
Tsai

(10) **Patent No.:** **US D500,607 S**
(45) **Date of Patent:** **** Jan. 11, 2005**

- (54) **CHAIR**
- (75) **Inventor:** **Wen-Ta Tsai**, Hangzhou Zhejiang (CN)
- (73) **Assignee:** **Zhejiang Himax Furniture Industry Corp. Ltd.**, Hangzhou Zhejiang (CN)
- (**) **Term:** **14 Years**
- (21) **Appl. No.:** **29/191,154**
- (22) **Filed:** **Oct. 2, 2003**
- (51) **LOC (7) Cl.** **06-01**
- (52) **U.S. Cl.** **D6/366**
- (58) **Field of Search** D6/334, 335, 364,
D6/365, 366, 367, 500-502; 297/411.2,
411.27, 411.36

- D473,726 S * 4/2003 Schaefer et al. D6/366
- D479,656 S * 9/2003 Ma D6/366
- D485,097 S * 1/2004 Raftery D6/502
- D486,315 S * 2/2004 Beaulieu et al. D6/366

* cited by examiner

Primary Examiner—Gary D. Watson

(74) *Attorney, Agent, or Firm*—Alan D. Kamrath; Nikolai & Mersereau, P.A.

(57) **CLAIM**

The ornamental design for a chair, as shown and described.

DESCRIPTION

FIG. 1 is a perspective view taken from the top, front, and right side of a chair embodying my new design;
 FIG. 2 is a front elevational view thereof;
 FIG. 3 is a right side elevational view thereof, the left side elevational view being a mirror image thereof except for the position of the adjustment handle;
 FIG. 4 is a rear elevational view thereof;
 FIG. 5 is a top plan view thereof; and,
 FIG. 6 is a bottom plan view thereof.

1 Claim, 6 Drawing Sheets

(56) **References Cited**

U.S. PATENT DOCUMENTS

- D410,799 S * 6/1999 Meda D6/366
- D451,293 S * 12/2001 Su D6/366
- D453,079 S * 1/2002 Ma D6/366
- D465,938 S * 11/2002 Huang D6/366





FIG. 1



FIG.2



FIG. 3



FIG.4



FIG. 5

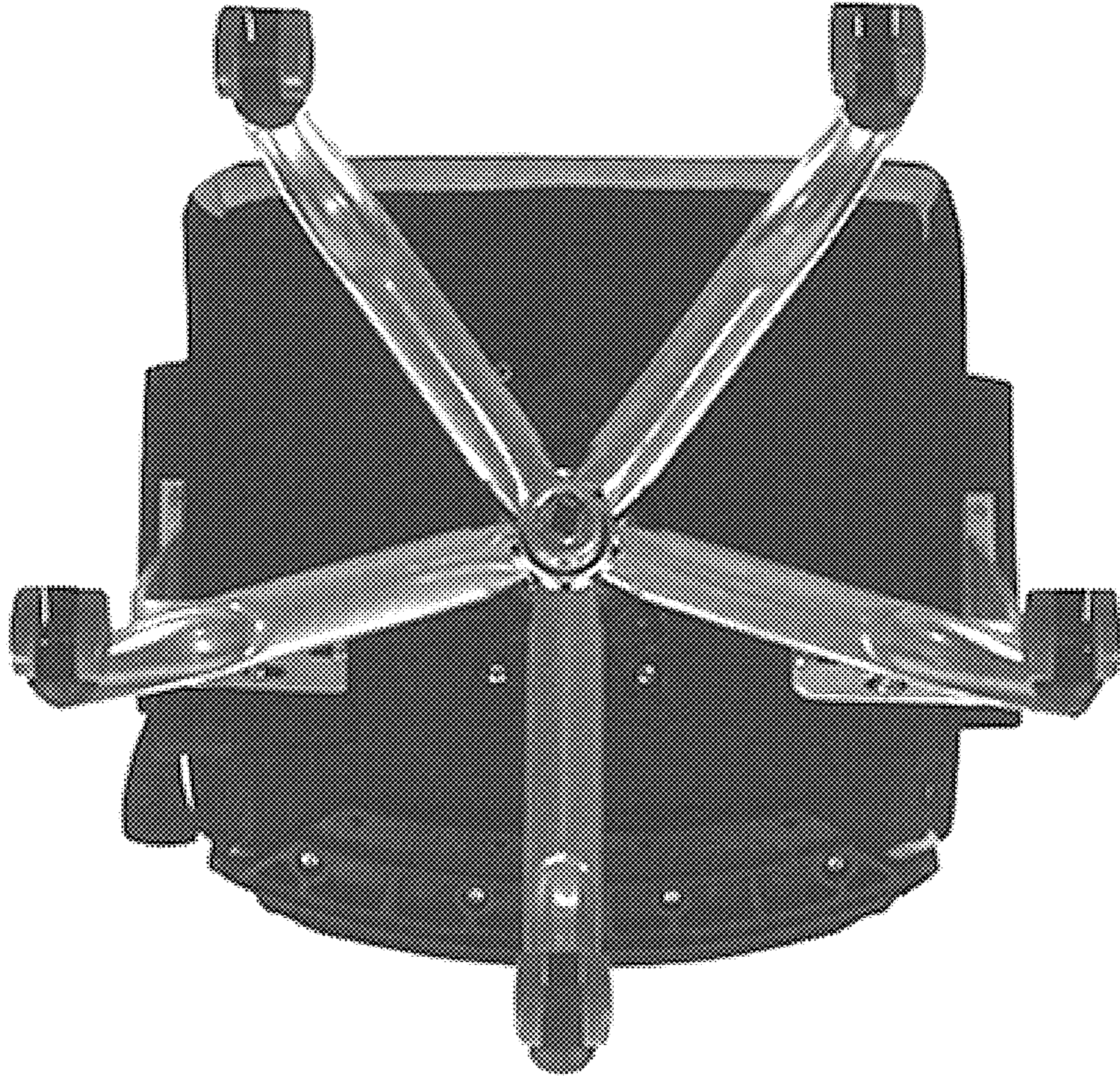


FIG. 6