



US00D500602S

(12) **United States Design Patent**
Solowiej

(10) **Patent No.:** **US D500,602 S**
(45) **Date of Patent:** **** Jan. 11, 2005**

- (54) **ROBE HOOK**
- (75) Inventor: **Leszek Solowiej**, Montville, NJ (US)
- (73) Assignee: **Bath Unlimited, Inc.**, Randolph, NJ (US)
- (**) Term: **14 Years**
- (21) Appl. No.: **29/162,405**
- (22) Filed: **Jun. 14, 2002**
- (51) **LOC (7) Cl.** **06-08**
- (52) **U.S. Cl.** **D6/323**
- (58) **Field of Search** D6/323, 315, 320, D6/326, 512, 524, 553; D8/349, 367, 373, 395; 211/86.01, 87.01, 106.01, 119.009; 223/85, DIG. 4; 248/339

- D454,457 S * 3/2002 Ou-Young D6/546
- D466,347 S * 12/2002 Chen D6/550
- D477,735 S * 7/2003 Solowiej D6/546
- D477,945 S * 8/2003 Solowiej D6/524
- D478,438 S * 8/2003 Solowiej D6/523
- D478,446 S * 8/2003 Solowiej D6/549

* cited by examiner

Primary Examiner—Stella Reid
Assistant Examiner—Daniel Bui
(74) *Attorney, Agent, or Firm*—Edgar A. Zarins; Lloyd D. Doigan

(56) **References Cited**
U.S. PATENT DOCUMENTS

- D330,636 S * 11/1992 Sharpe D6/323
- D374,145 S * 10/1996 Moon D6/549
- D401,796 S * 12/1998 Zelman D6/524
- D408,723 S * 4/1999 Goodman et al. D8/367
- D435,971 S * 1/2001 Solowiej D6/323
- D436,477 S * 1/2001 Ming-Hsiao D6/523
- D436,776 S * 1/2001 Chen D6/524

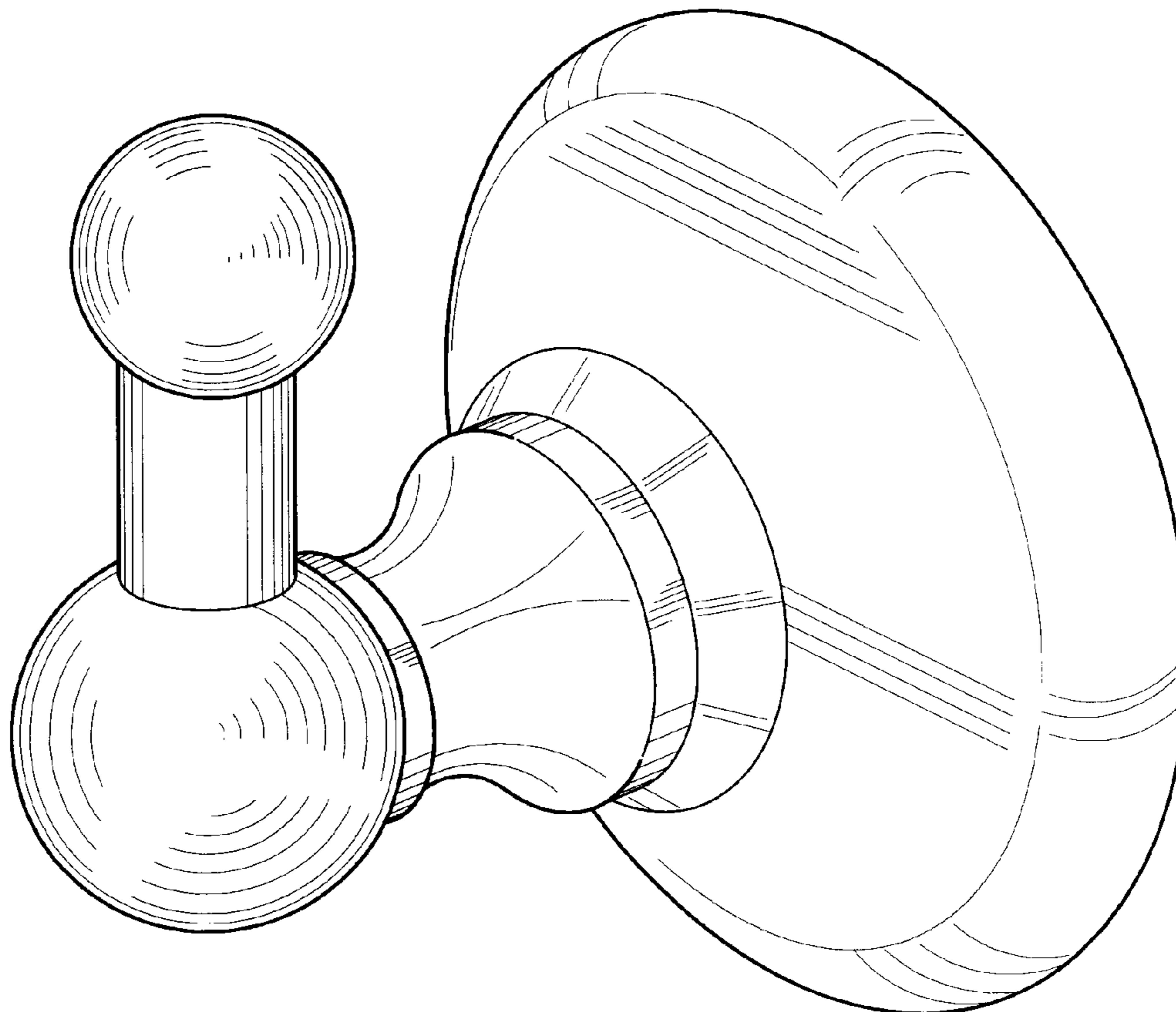
(57) **CLAIM**

The ornamental design for a robe hook, as shown and described.

DESCRIPTION

FIG. 1 is a perspective view of a robe hook showing my new design;
FIG. 2 is a top plan view thereof;
FIG. 3 is a left side view thereof, the opposite side being a mirror image of the side shown;
FIG. 4 is a front elevational view thereof;
FIG. 5 is a bottom view thereof; and,
FIG. 6 is a rear view thereof.

1 Claim, 3 Drawing Sheets



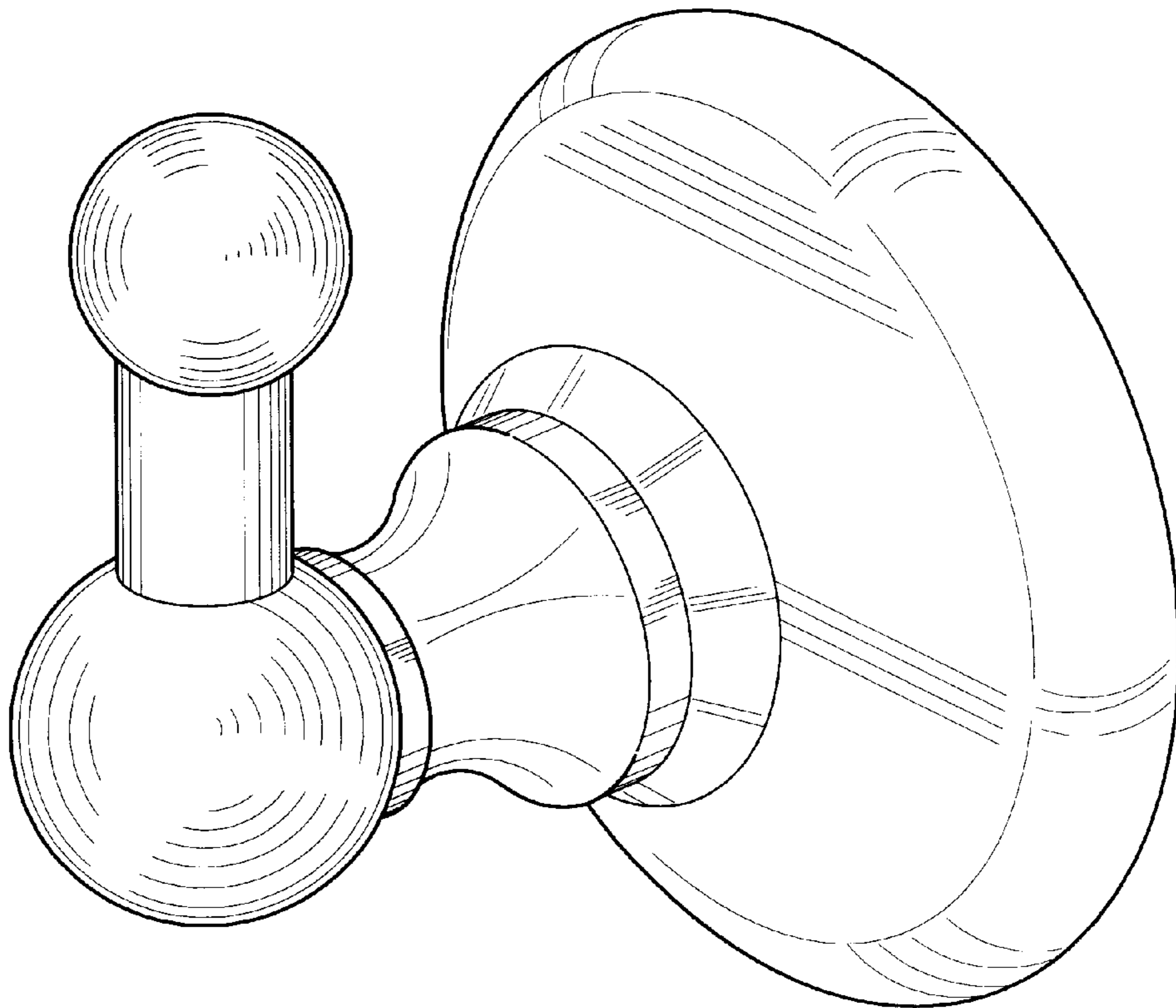


Fig-1

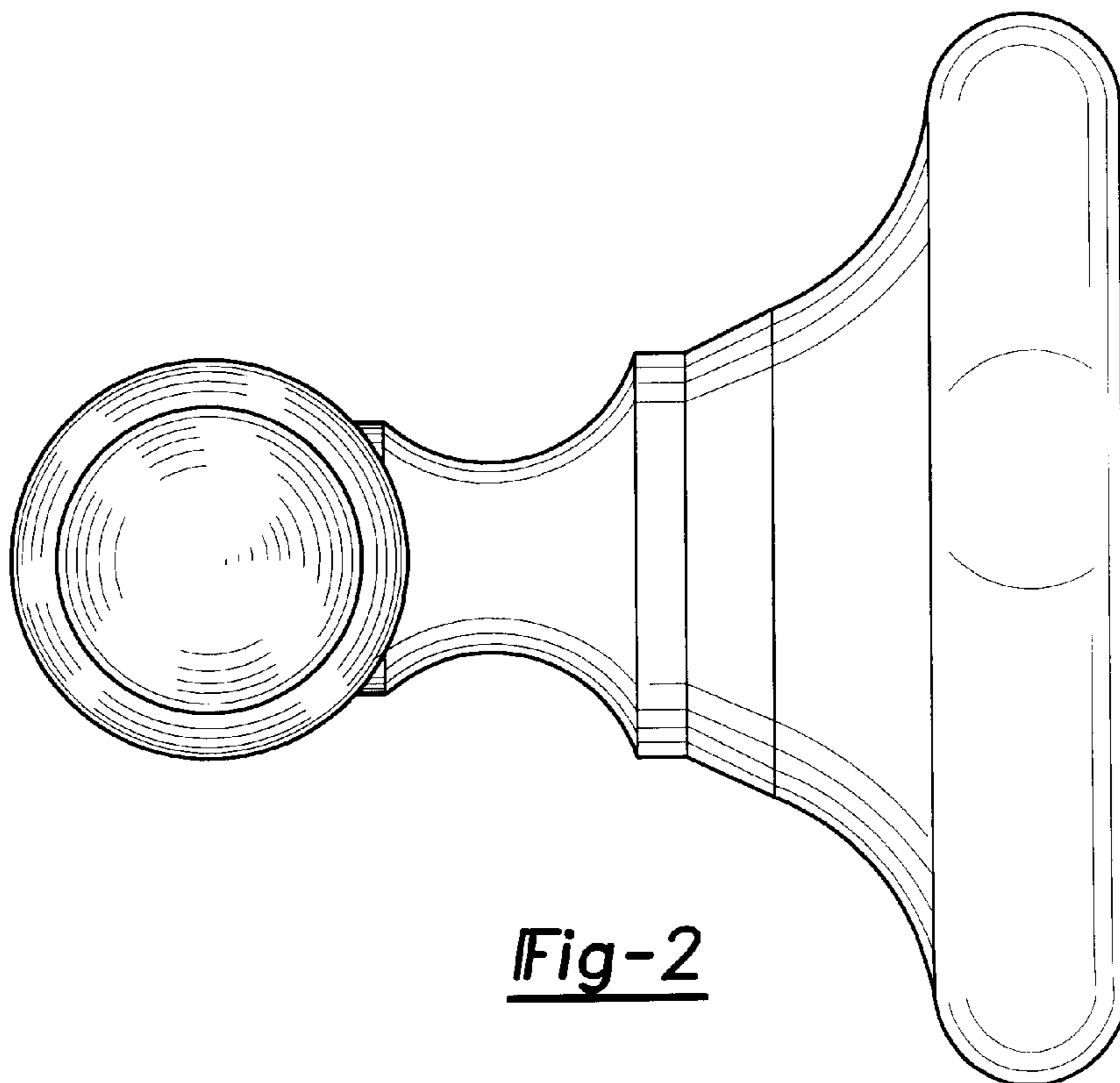
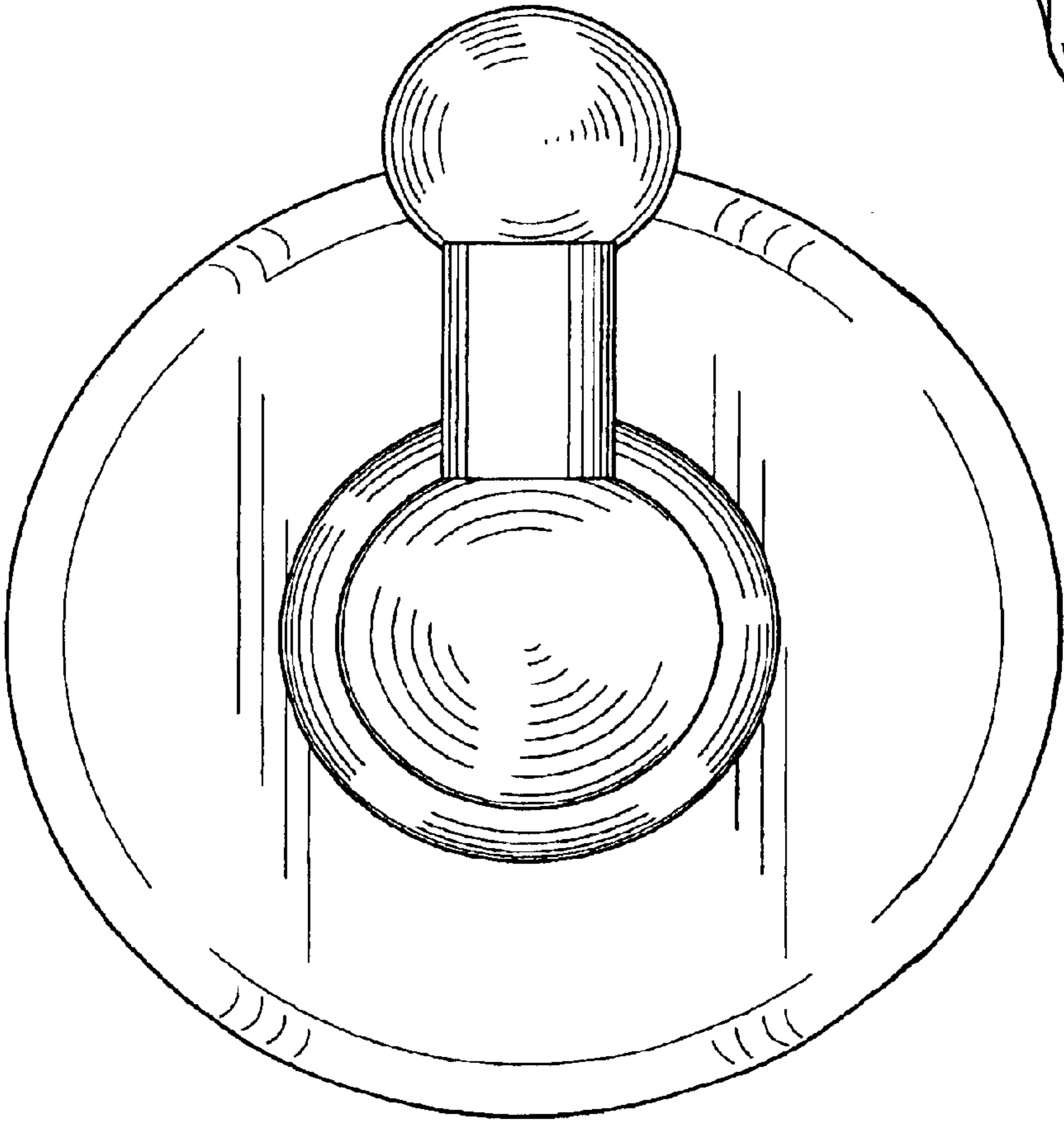
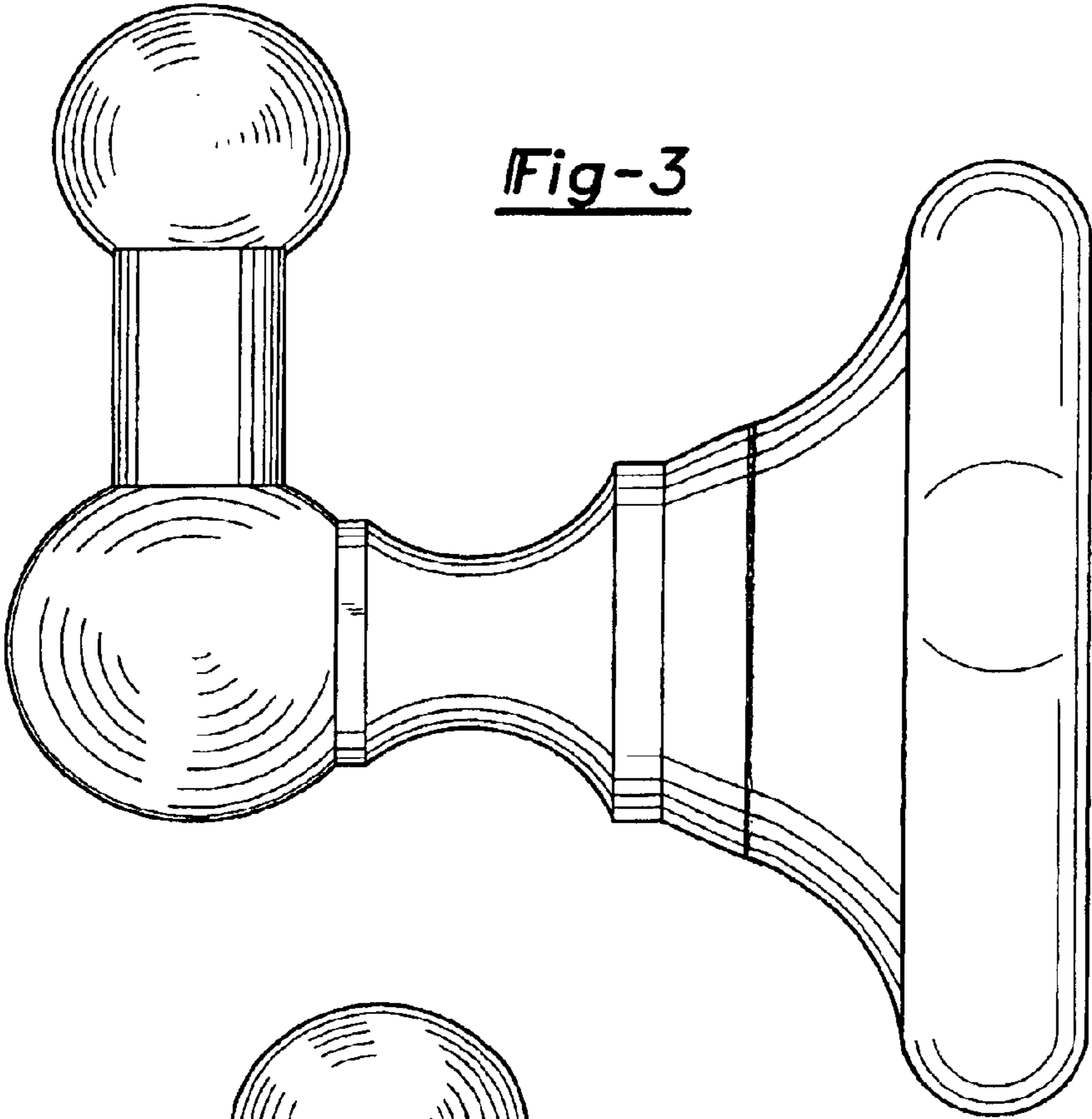


Fig-2



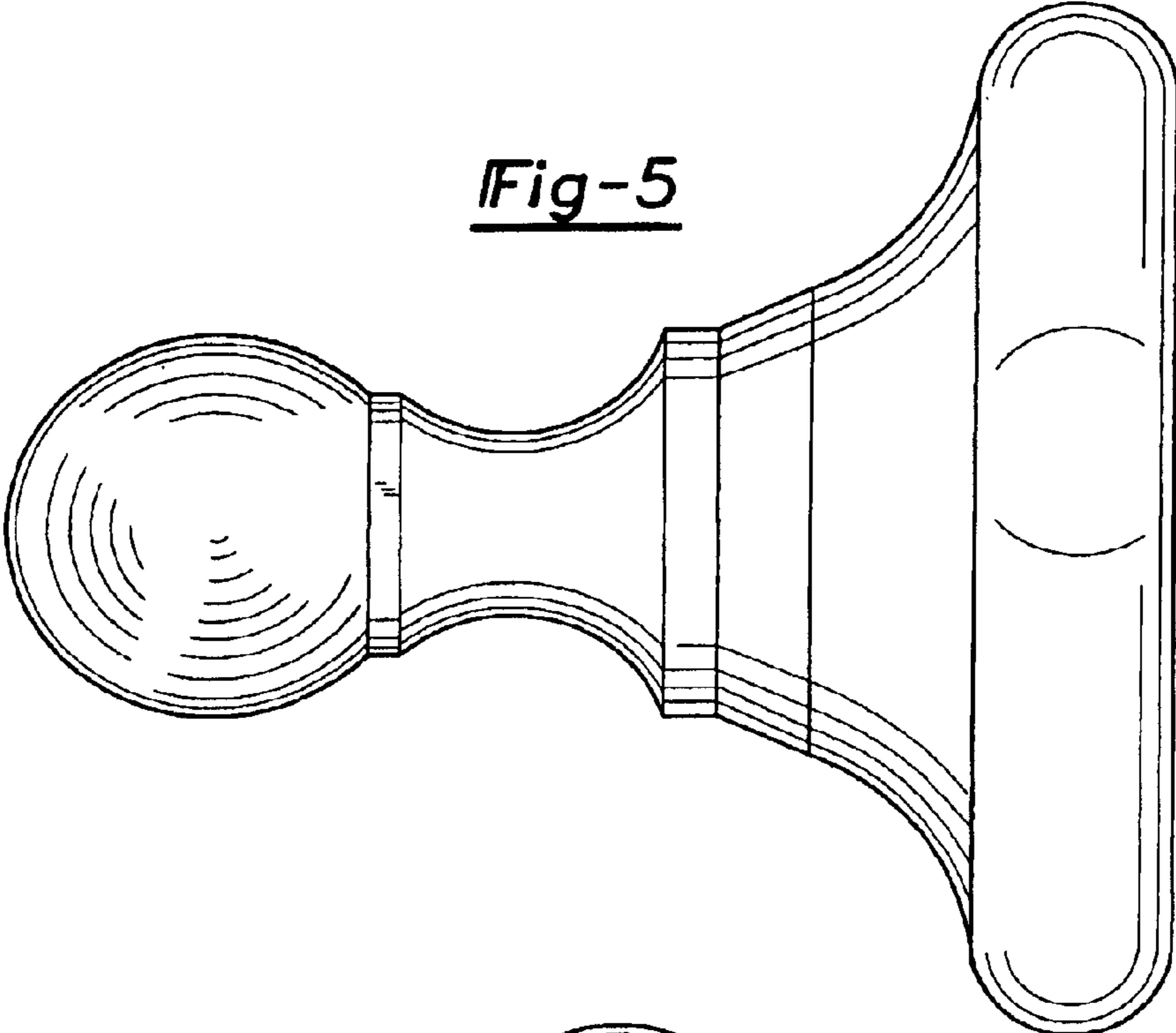


Fig-5

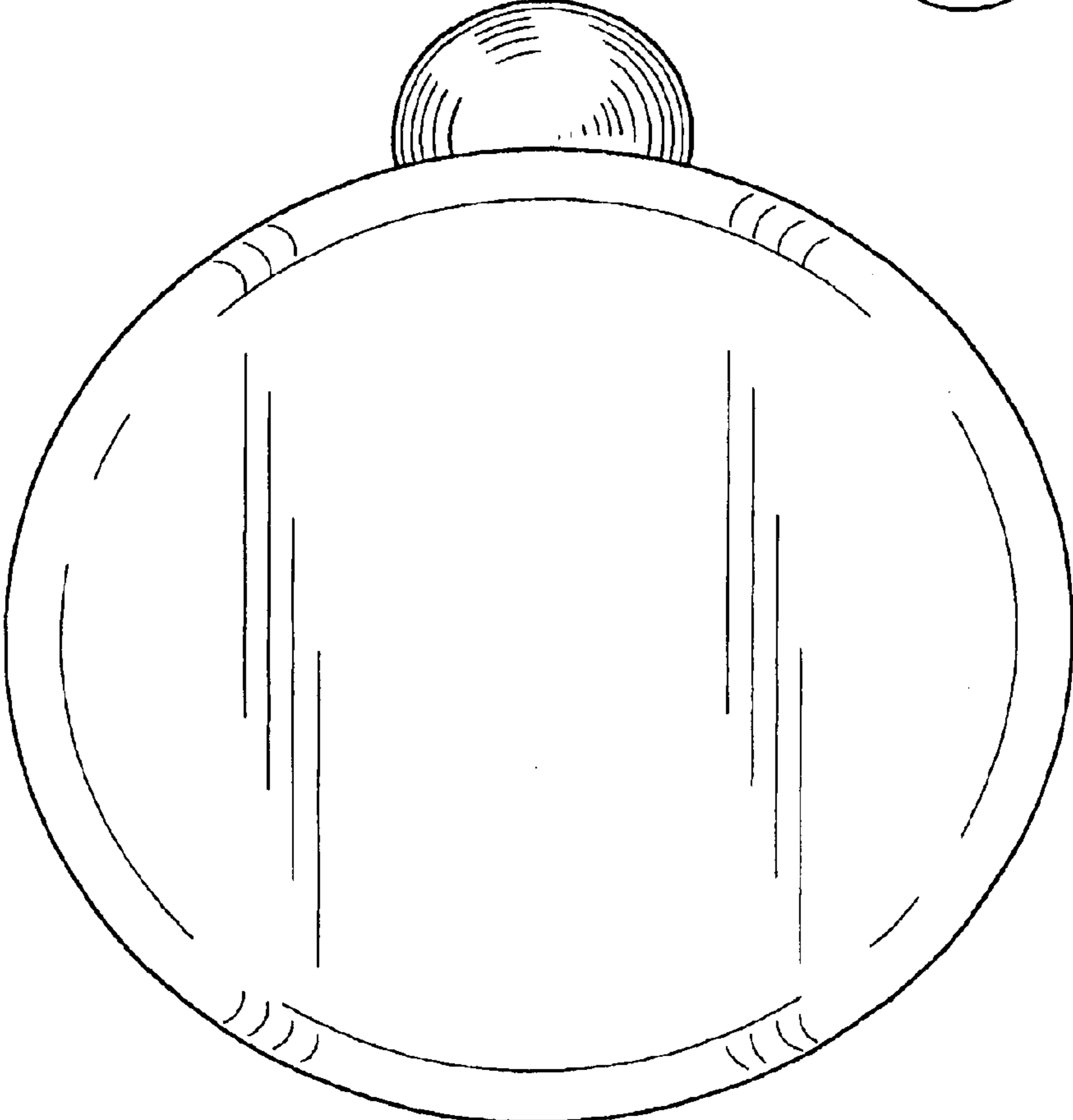


Fig-6