



US00D500597S

(12) **United States Design Patent** (10) **Patent No.:** **US D500,597 S**
Hillman (45) **Date of Patent:** **** Jan. 11, 2005**

(54) **NOTEBOOK COMPUTER CASE WITH CARRYING HANDLE**

“Case Logic” Catalog; 2002; p. 19.

“Case Logic” Catalog; 2003; pp. 10–11.

(75) Inventor: **Jack L. Hillman**, Colorado Springs, CO (US)

* cited by examiner

(73) Assignee: **Case Logic, Inc.**, Longmont, CO (US)

Primary Examiner—Philip S. Hyder

(**) Term: **14 Years**

(74) *Attorney, Agent, or Firm*—Sheridan Ross P.C.

(21) Appl. No.: **29/193,165**

(57) **CLAIM**

(22) Filed: **Nov. 4, 2003**

The ornamental design for a notebook computer case with carrying handle, as shown and described.

(51) **LOC (7) Cl.** **03-01**

(52) **U.S. Cl.** **D3/301; D3/900**

(58) **Field of Search** D3/272, 273, 276, D3/281, 287, 288, 289, 294, 299, 300, 303, 900; 190/100, 110, 111, 112, 113; 206/320, 301

DESCRIPTION

(56) **References Cited**

U.S. PATENT DOCUMENTS

D338,104 S	*	8/1993	Lee	D3/287
D346,901 S	*	5/1994	Dulka et al.	D3/289
D358,483 S	*	5/1995	Cross et al.	D3/276
D358,935 S	*	6/1995	Chang et al.	D3/289
D380,612 S	*	7/1997	Kelley et al.	D3/289
5,884,768 A	*	3/1999	Fox	206/522
D409,385 S	*	5/1999	Pearson et al.	D3/301
D414,935 S	*	10/1999	Bould	D3/301
D435,591 S	*	12/2000	Wyant	D19/27
D445,252 S	*	7/2001	Klamm	D3/289
D458,749 S	*	6/2002	Bruni et al.	D3/289
D459,884 S	*	7/2002	King	D3/276
2004/0099496 A1	*	5/2004	Hollingsworth	190/111

FIG. 1 is a front perspective view of a notebook computer case with carrying handle showing my new design;

FIG. 2 is a front elevation view of the invention illustrated in FIG. 1;

FIG. 3 is a left elevation view of the invention illustrated in FIG. 1;

FIG. 4 is a top plan view of the invention illustrated in FIG. 1;

FIG. 5 is a rear elevation view of the invention illustrated in FIG. 1;

FIG. 6 is a bottom plan view of the invention illustrated in FIG. 1;

FIG. 7 is a right elevation view of the invention illustrated in FIG. 1; and,

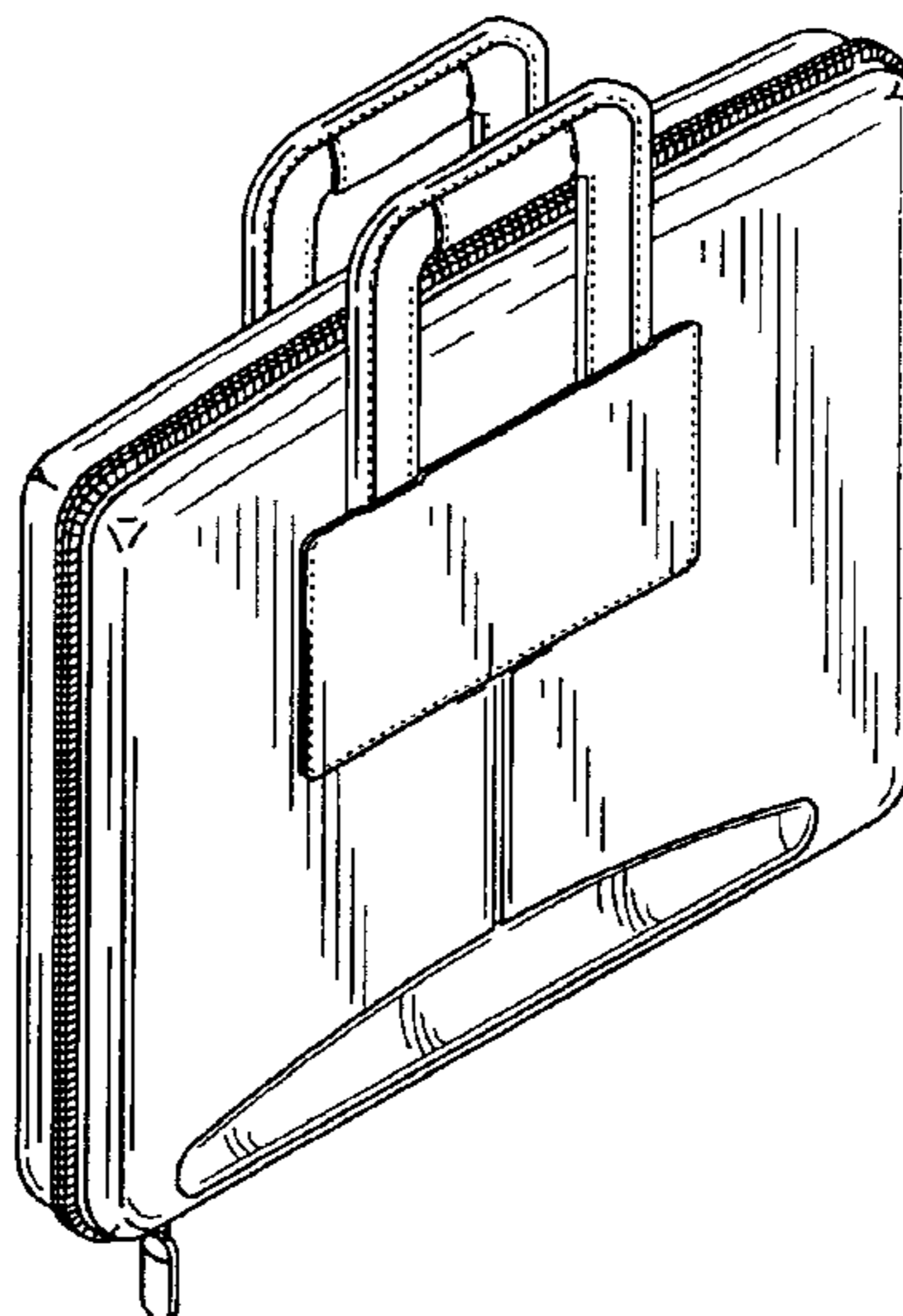
FIG. 8 is a front perspective view of the invention shown in FIG. 1, in an open position, the broken lines representing environment and forming no part of the claimed design.

OTHER PUBLICATIONS

“Case Connect” Brochure; *Case Connect: A Division of Case Logic*; 1997; pp. 4–5.

“Case Logic Essential Equipment” Catalog; *Case Logic*; 2001; p. 23.

1 Claim, 3 Drawing Sheets



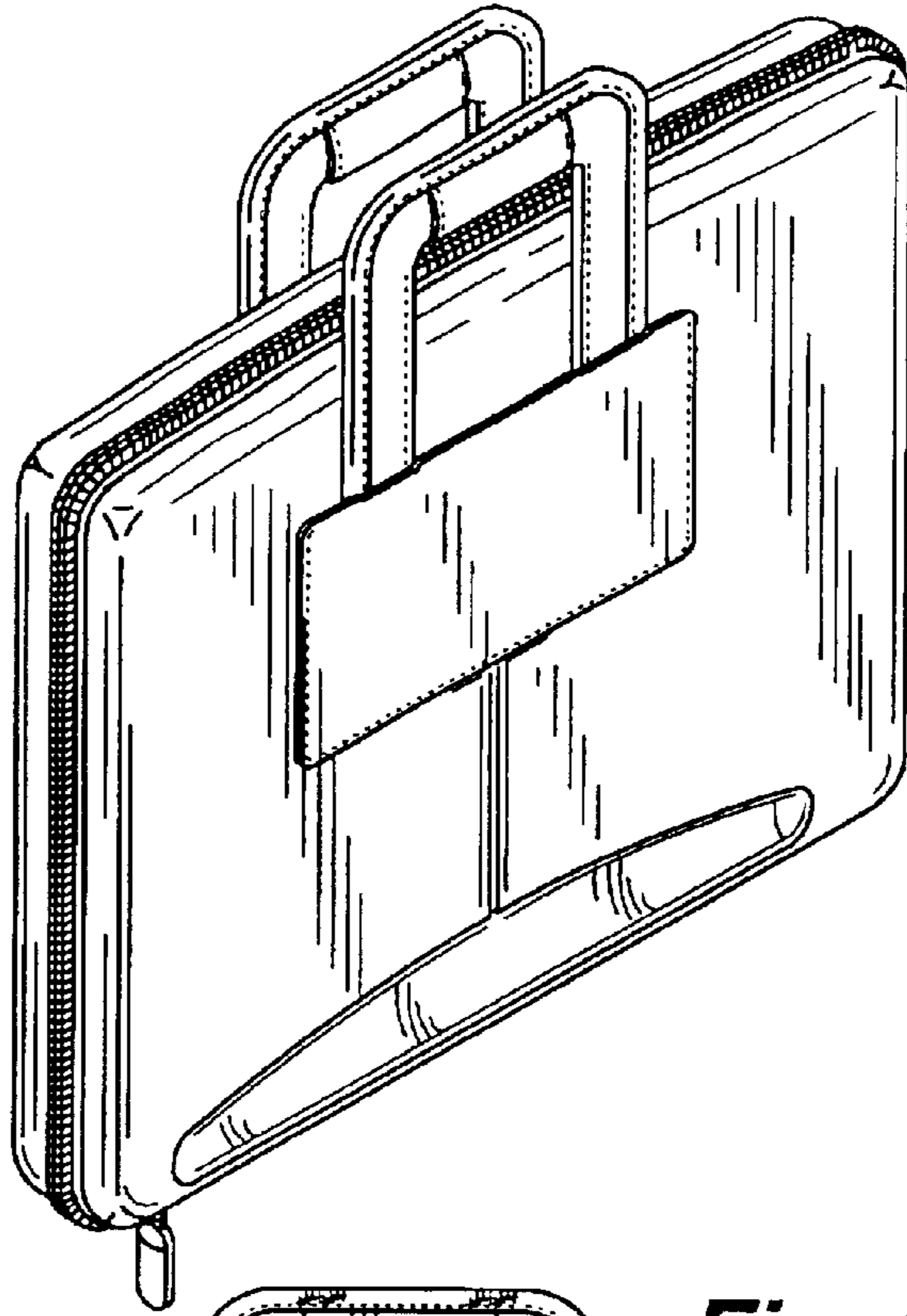


Fig. 1

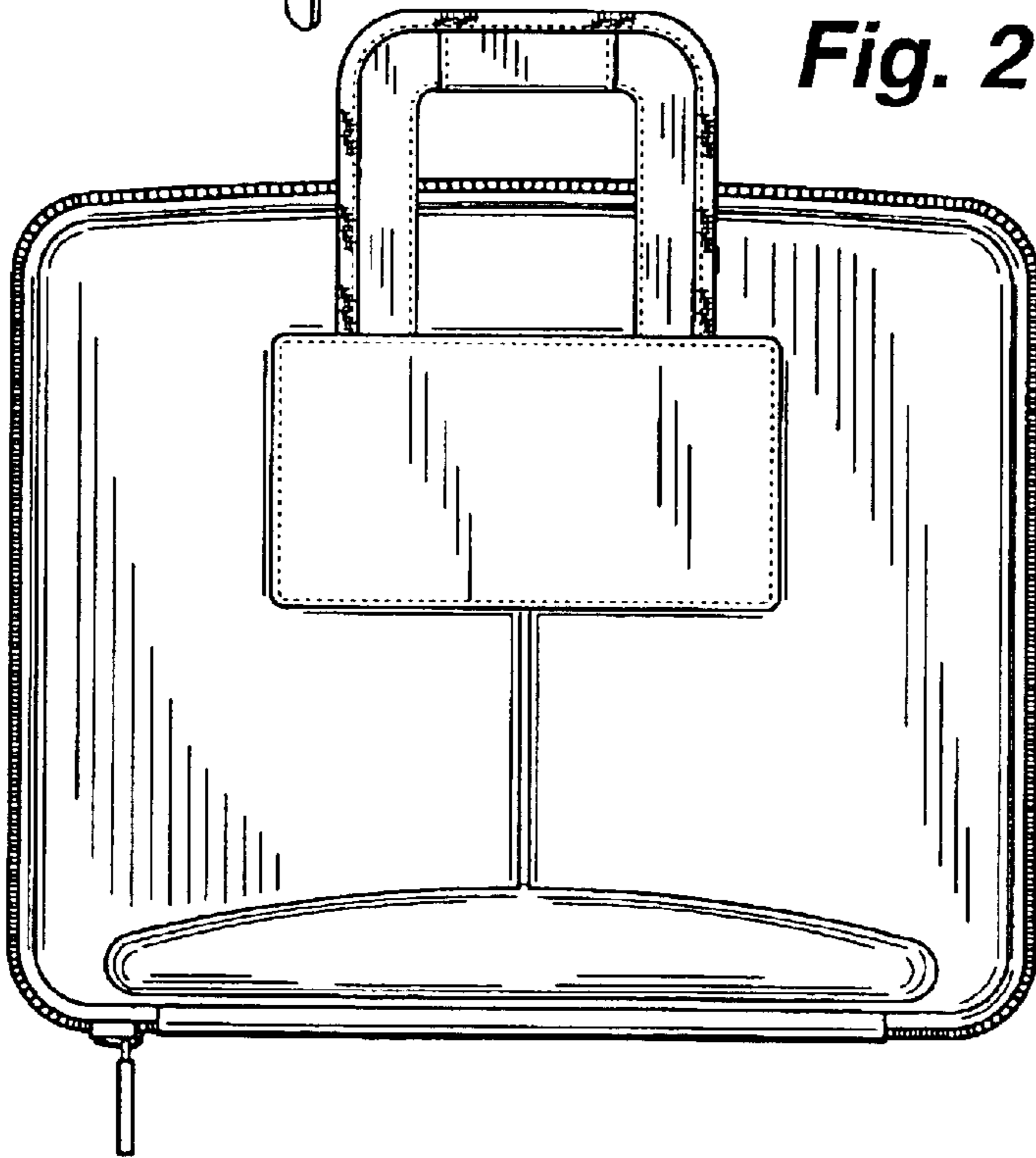


Fig. 2

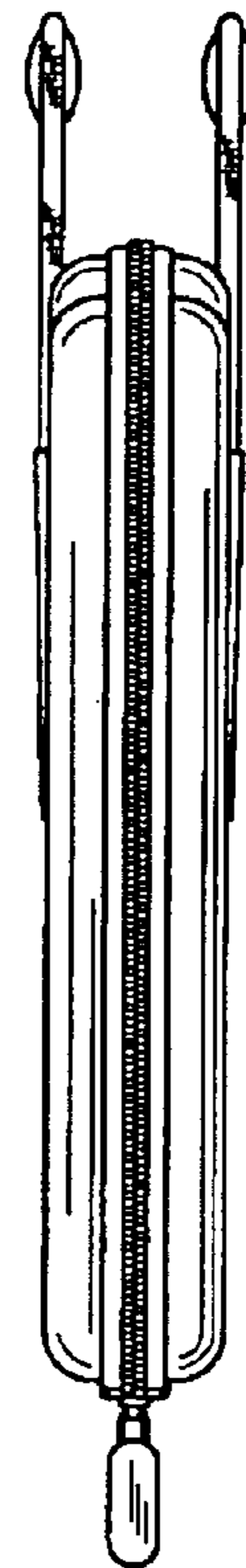


Fig. 3

Fig. 4

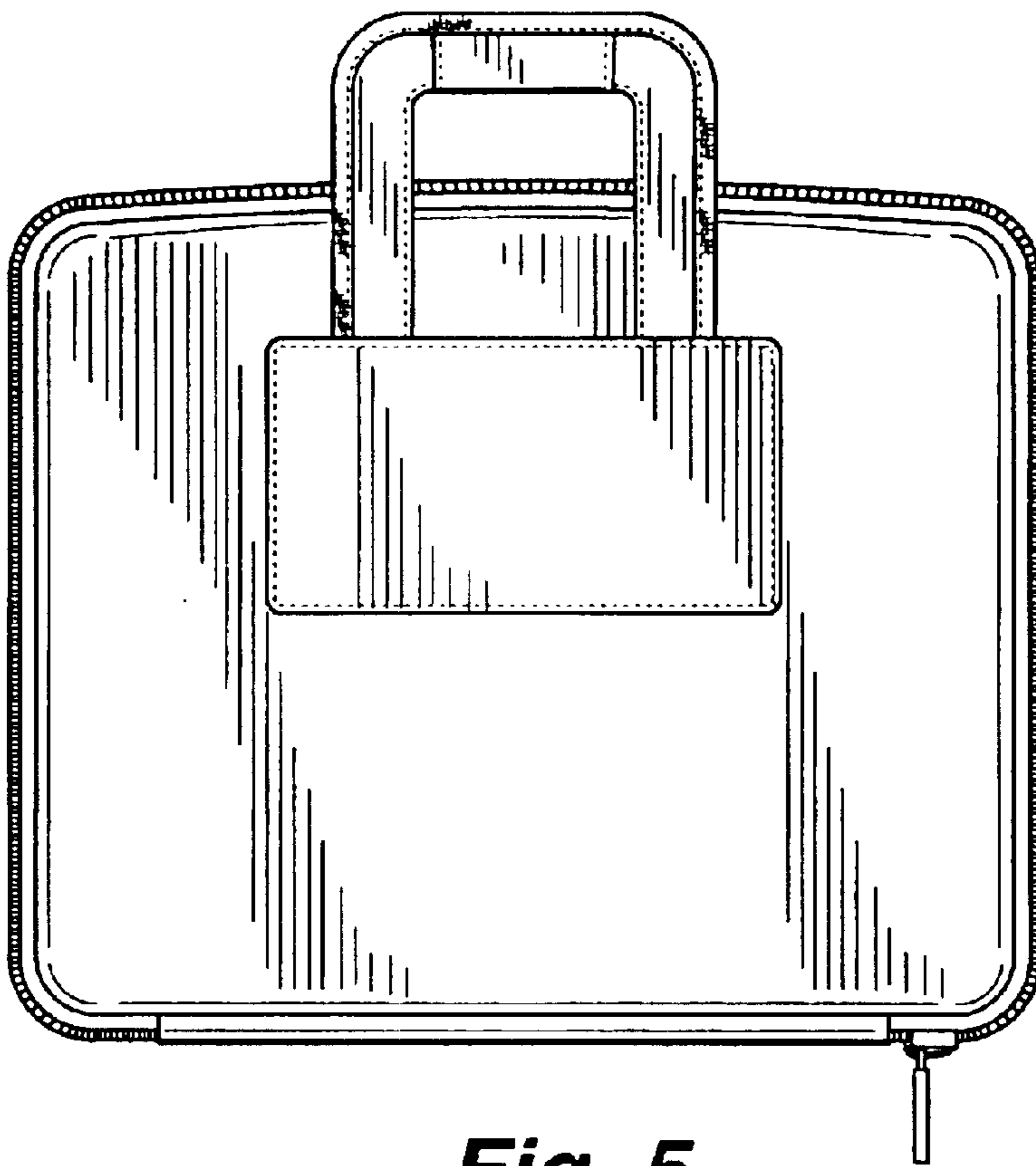
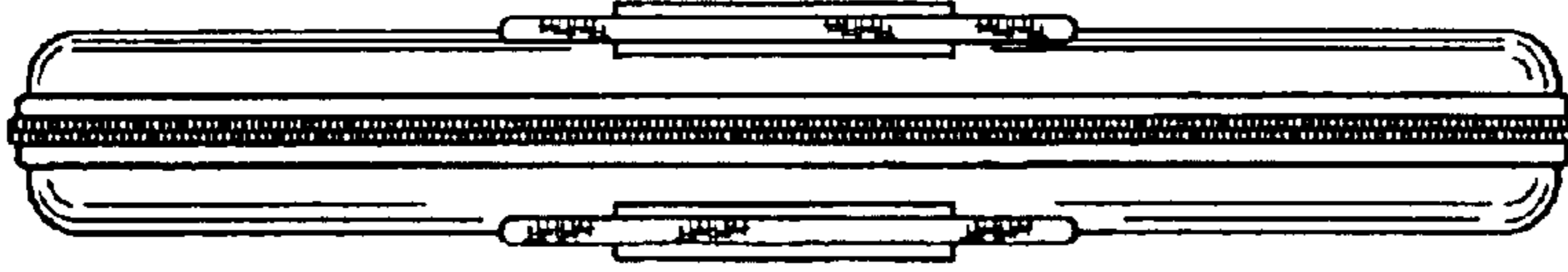


Fig. 5

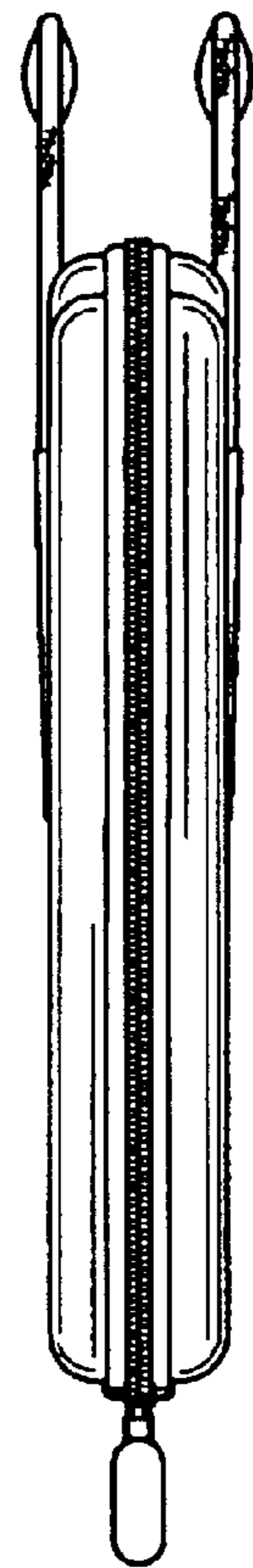


Fig. 7

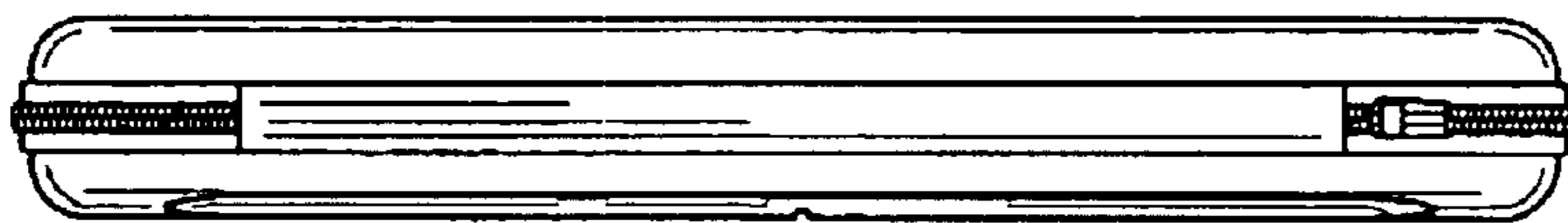


Fig. 6

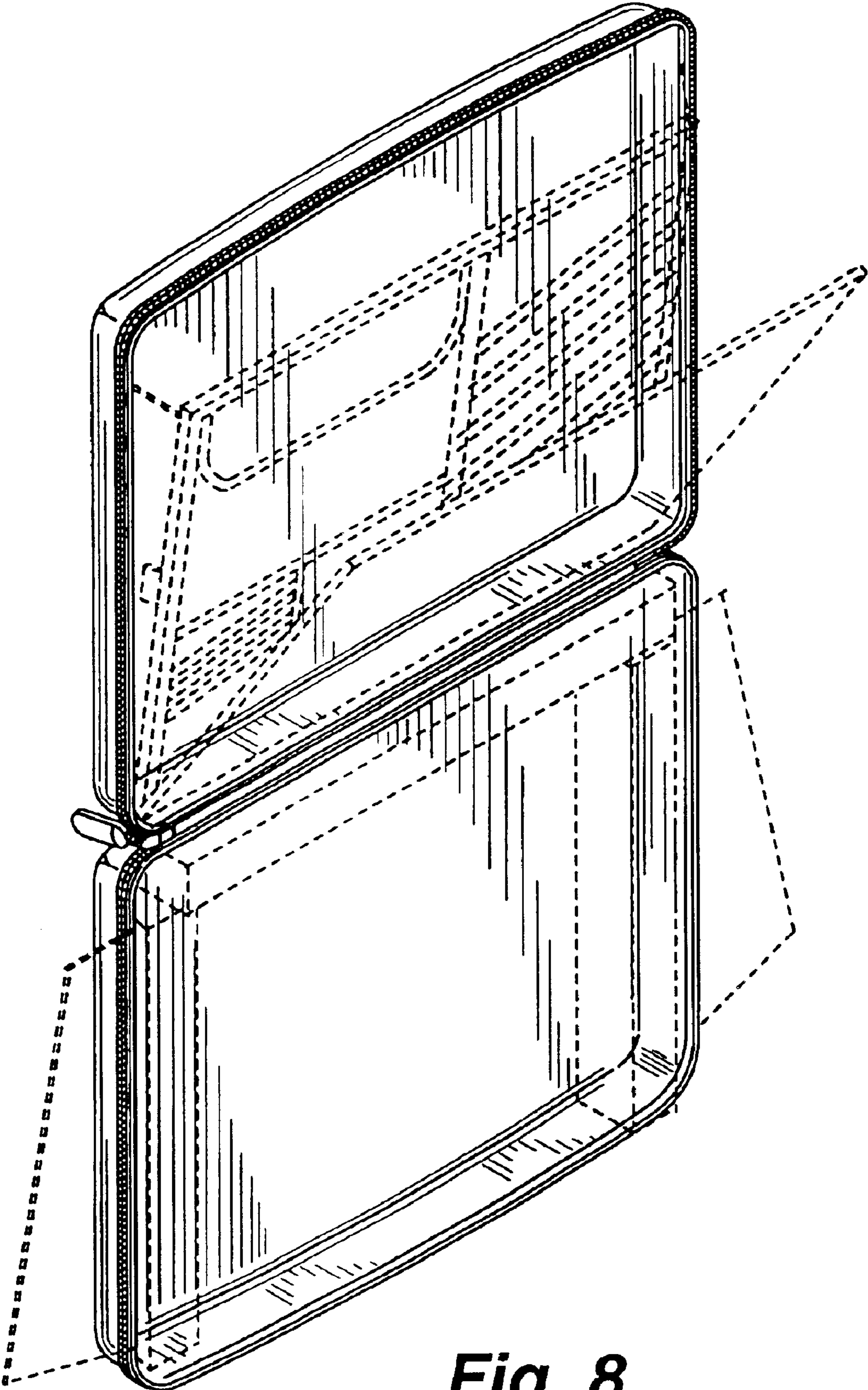


Fig. 8