



US00D500589S

(12) **United States Design Patent**
Schmitz

(10) **Patent No.:** **US D500,589 S**
(45) **Date of Patent:** **** Jan. 11, 2005**

(54) **KEY RING**

5,755,127 A * 5/1998 Huang 70/456 R

(75) Inventor: **Hans-Jörg Schmitz**, Heillgenhaus (DE)

* cited by examiner

(73) Assignee: **Batz Corporation**, Prattsville, AR (US)

Primary Examiner—Ralf Seifert

(**) Term: **14 Years**

(74) *Attorney, Agent, or Firm*—R W Becker & Associates;
Robert W. Becker

(21) Appl. No.: **29/194,506**

(57) **CLAIM**

(22) Filed: **Nov. 25, 2003**

The ornamental design for a key ring, as shown and described.

(51) **LOC (7) Cl.** **03-01**

(52) **U.S. Cl.** **D3/207**

(58) **Field of Search** D3/207–212; 206/37.1,
206/38.1; 150/147; 70/456 R, 456 B, 458,
459; D16/100; D26/38

DESCRIPTION

(56) **References Cited**

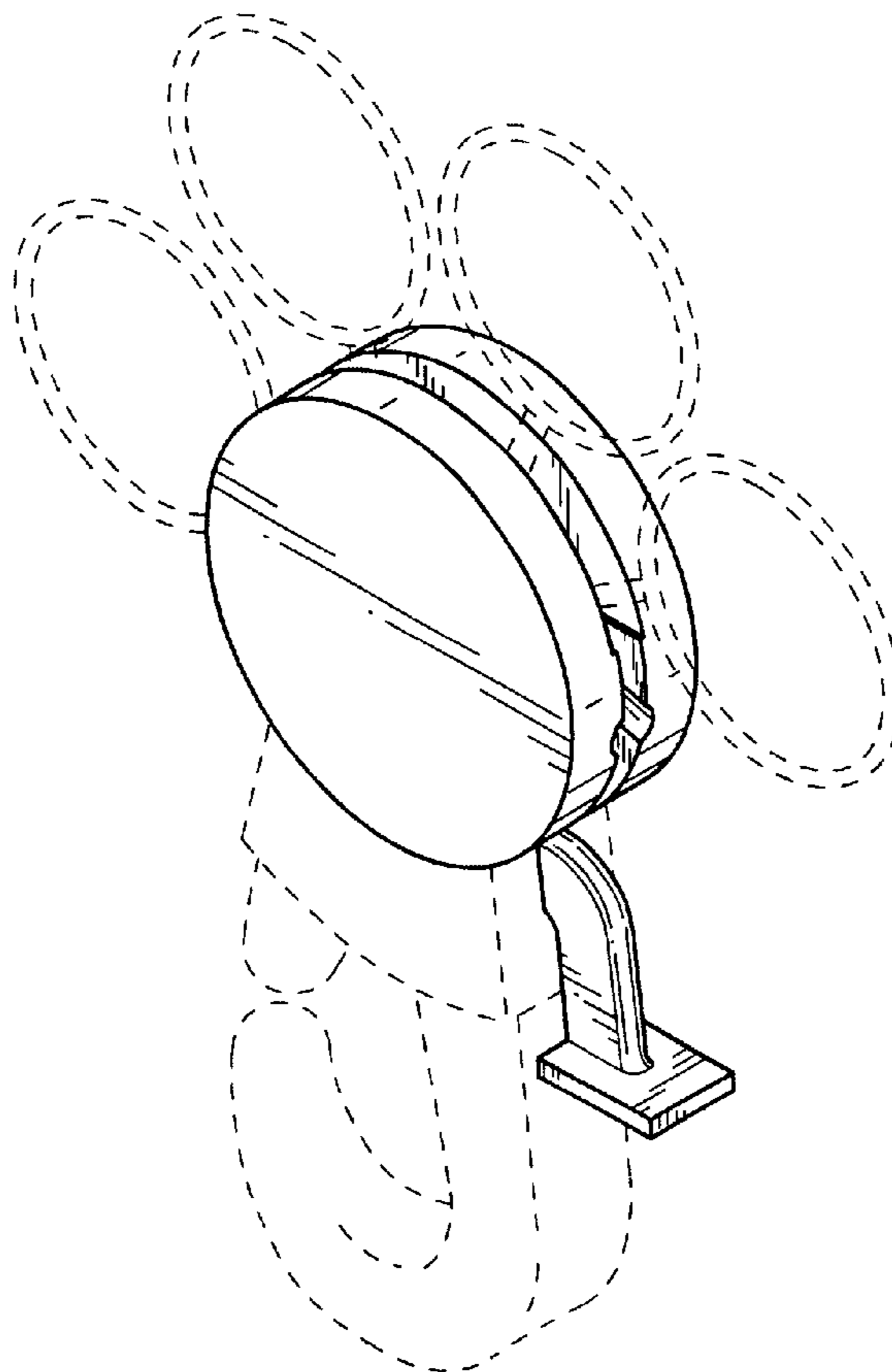
U.S. PATENT DOCUMENTS

D296,726 S	*	7/1988	Katz	D3/207
D308,292 S	*	6/1990	Lui	D3/207
D308,759 S	*	6/1990	Lui	D3/209
5,174,139 A	*	12/1992	Huang	70/456 R
5,495,734 A	*	3/1996	Yu	70/456 R
D373,899 S	*	9/1996	Huang	D3/207

FIG. 1 is a perspective view showing the embodiment of my key ring;
FIG. 2 is a front view thereof;
FIG. 3 is a rear view thereof;
FIG. 4 is a right side view thereof;
FIG. 5 is a left side view thereof;
FIG. 6 is a top view thereof; and,
FIG. 7 is a bottom view thereof.

It being understood that the broken lines are for illustrative purposes only and form no part of the claimed design.

1 Claim, 4 Drawing Sheets



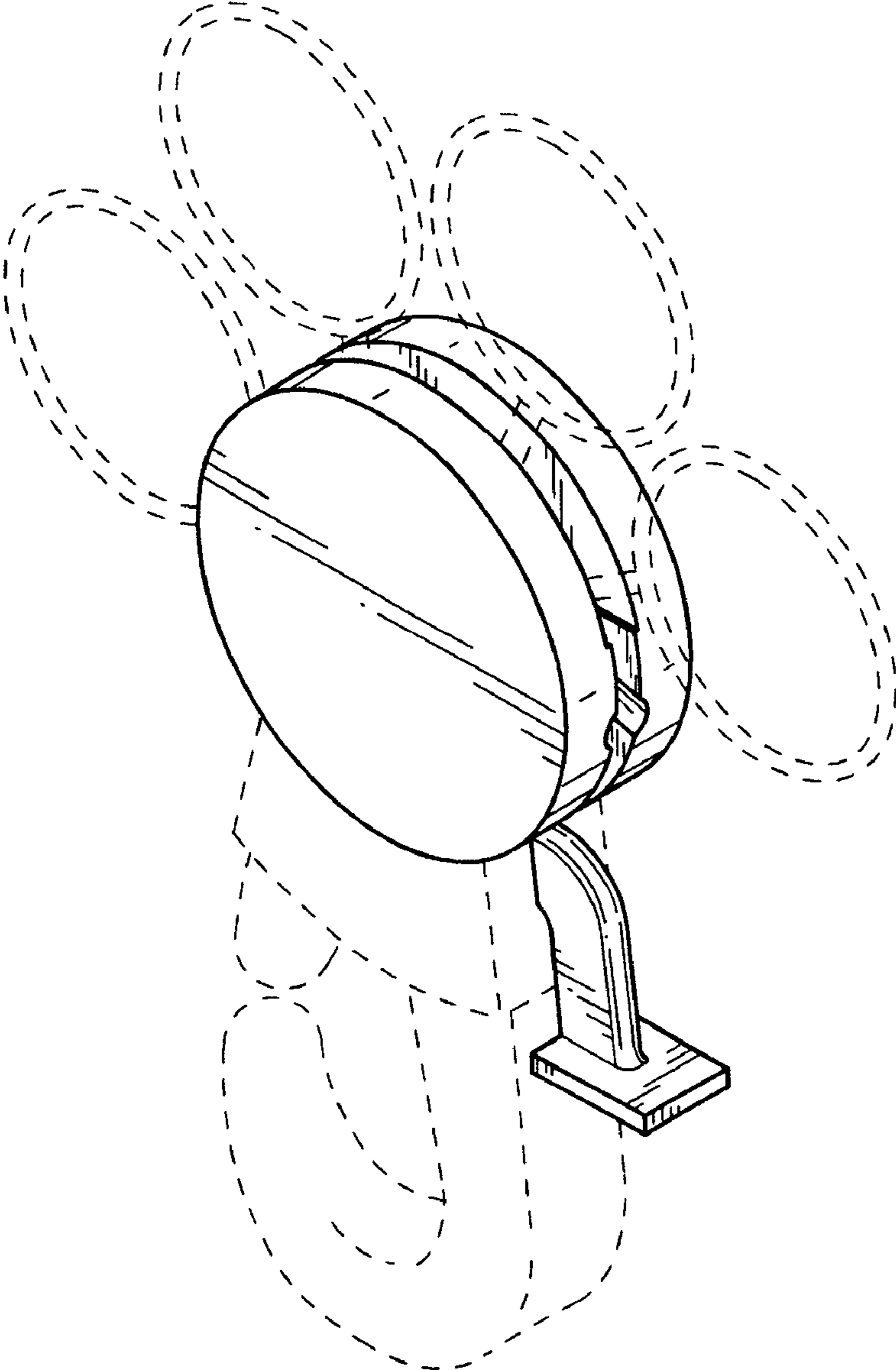


FIG.1

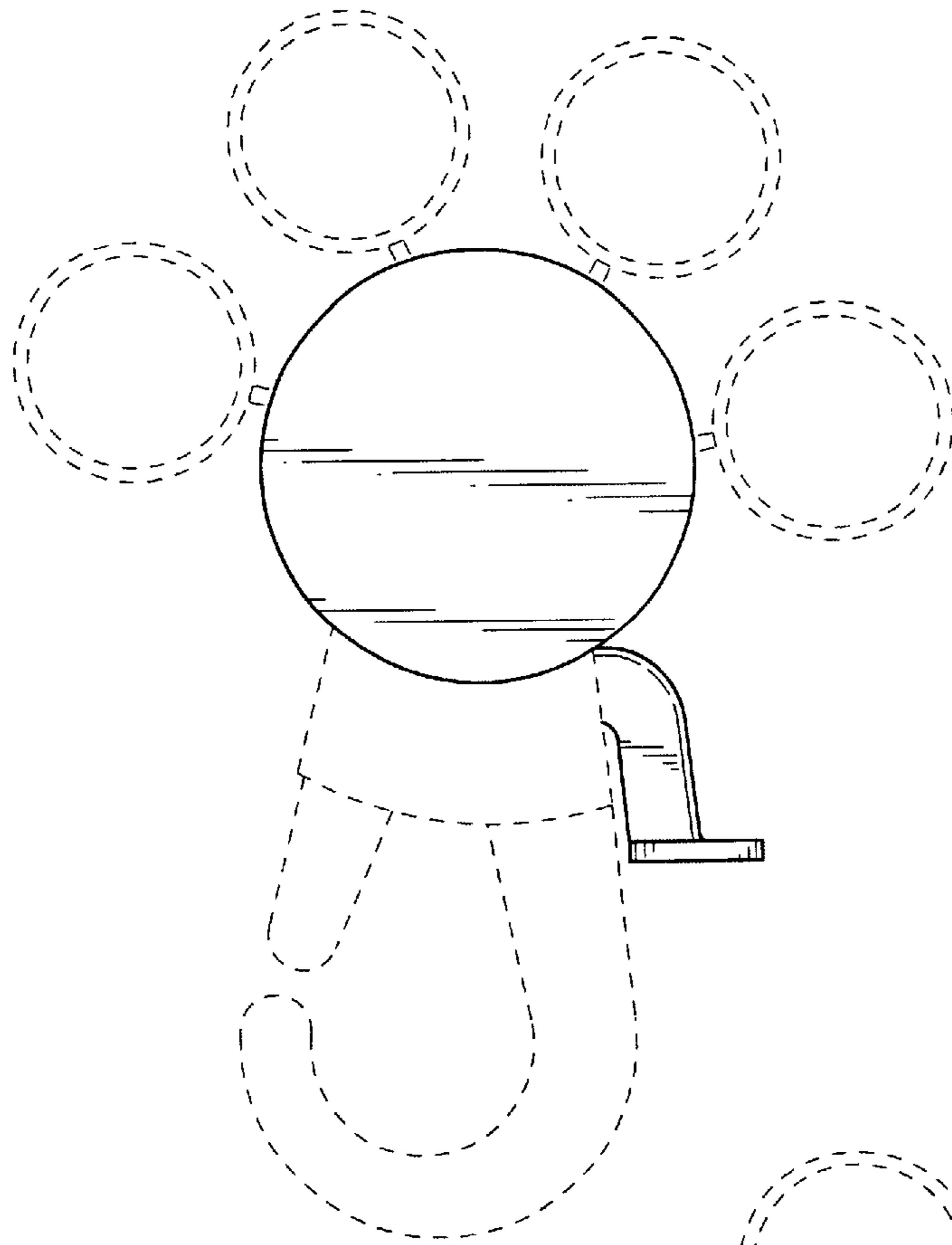


FIG.2

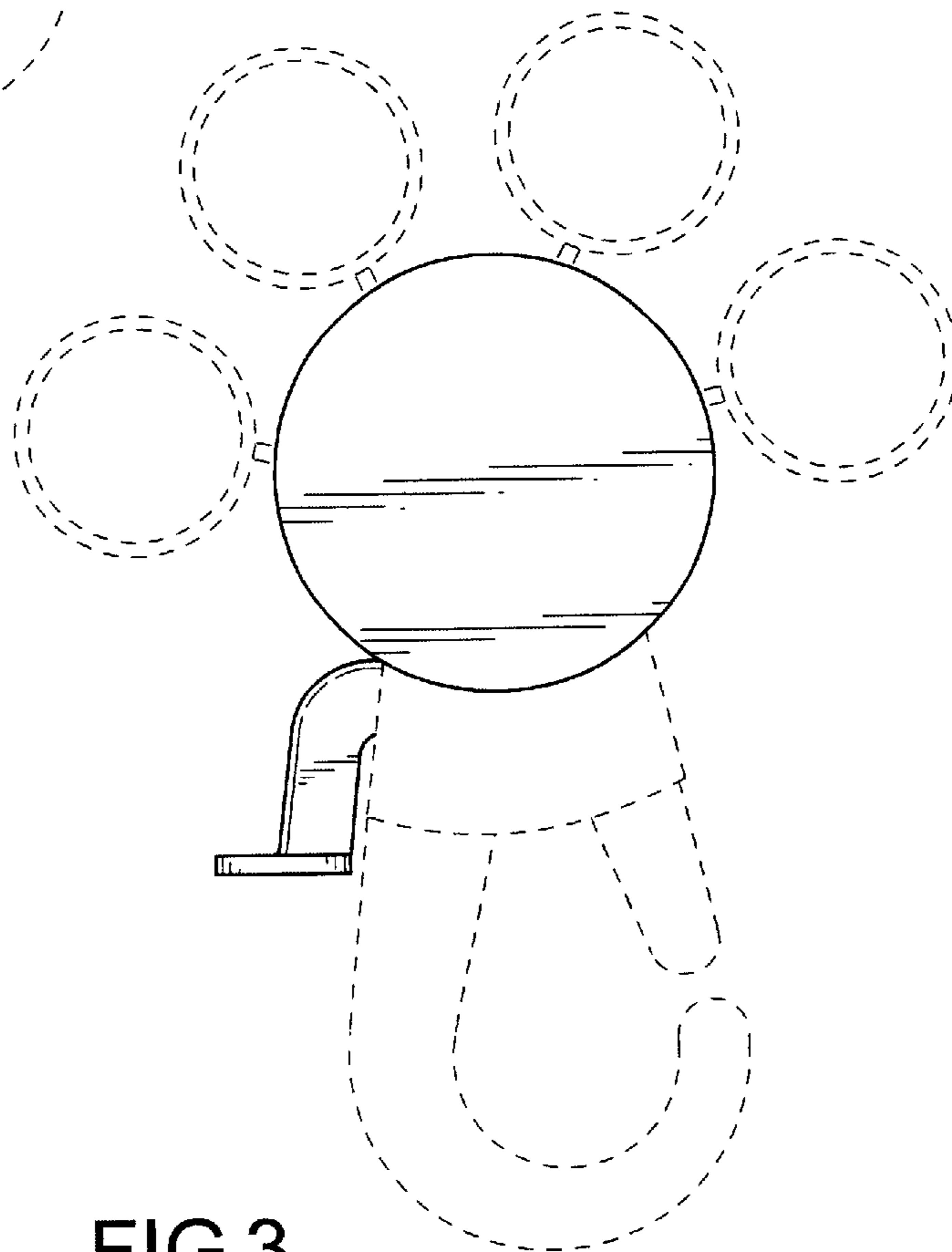


FIG.3

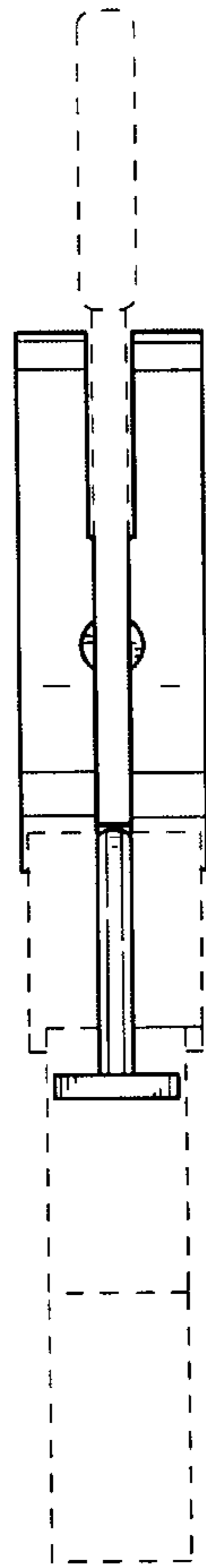


FIG.4

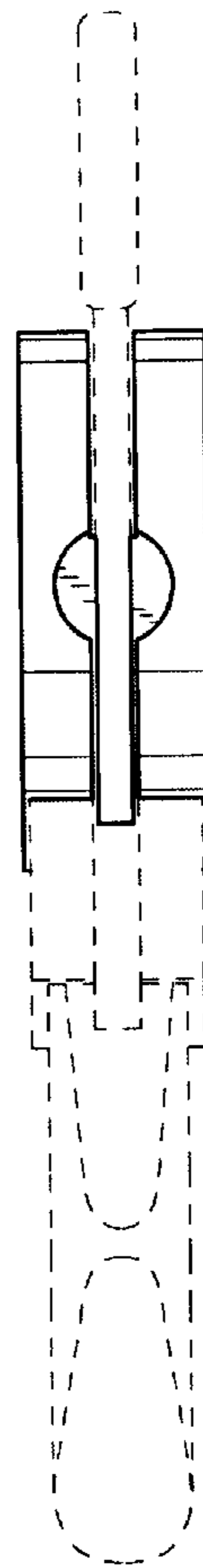


FIG.5

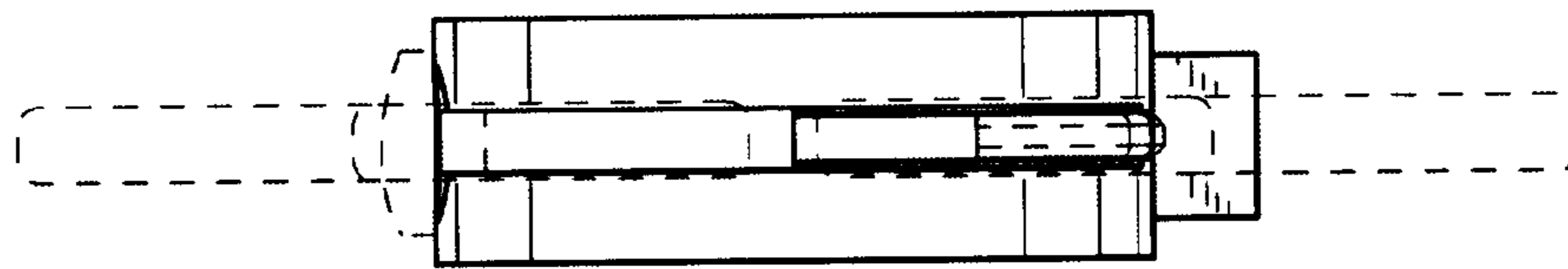


FIG. 6

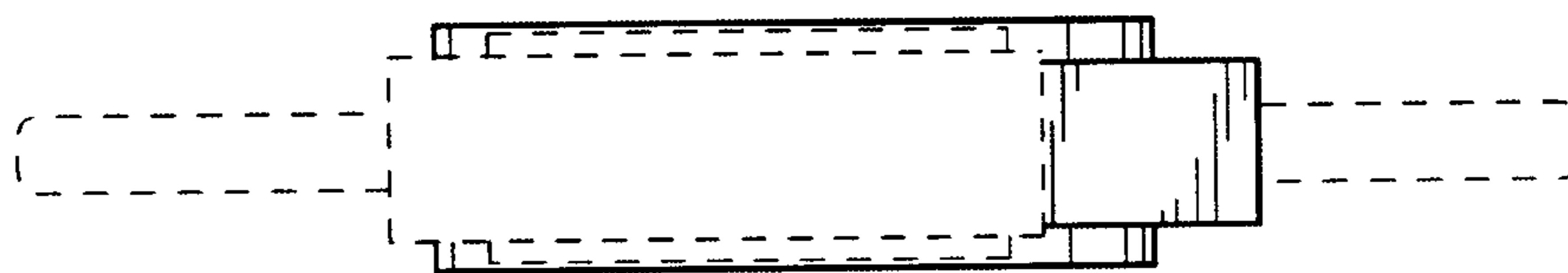


FIG. 7