

US00D500575S

(12) **United States Design Patent**
Lucas

(10) **Patent No.:** **US D500,575 S**
(45) **Date of Patent:** **** Jan. 4, 2005**

- (54) **CART**
- (75) **Inventor:** **Tommie Lucas**, Portland, OR (US)
- (73) **Assignee:** **Anthro Corporation**, Tualatin, OR (US)
- (**) **Term:** **14 Years**
- (21) **Appl. No.:** **29/199,227**
- (22) **Filed:** **Feb. 11, 2004**
- (51) **LOC (7) Cl.** **12-02**
- (52) **U.S. Cl.** **D34/12**
- (58) **Field of Search** D34/12-15, 19-21, D34/24-27; D6/477-478; 280/47.26, 47.35, 47.34

(56) **References Cited**
U.S. PATENT DOCUMENTS

D296,143 S	*	6/1988	Bettess	D34/21
D304,112 S	*	10/1989	Bettess	D34/21
D339,441 S	*	9/1993	Marchant et al.	D34/21
D403,536 S	*	1/1999	Olson et al.	D6/479

D406,201 S * 3/1999 Olson et al. D6/426

* cited by examiner

Primary Examiner—Holly Baynham

(74) *Attorney, Agent, or Firm*—Stoel Rives LLP

(57) **CLAIM**

I claim the ornamental design for a cart, as shown and described.

DESCRIPTION

FIG. 1 is a perspective view of a cart, in accordance with the design;

FIG. 2 is a left side elevation view of the cart of FIG. 1, of which the right side is a mirror image;

FIG. 3 is a rear elevation (handle end) view of the cart of FIG. 1;

FIG. 4 front elevation view of the cart of FIG. 1;

FIG. 5 top plan view of the cart of FIG. 1; and,

FIG. 6 bottom plan view of the cart of FIG. 1.

The broken line showing of caster wheels is for illustrative purposes only and forms no part of the claimed design.

1 Claim, 4 Drawing Sheets

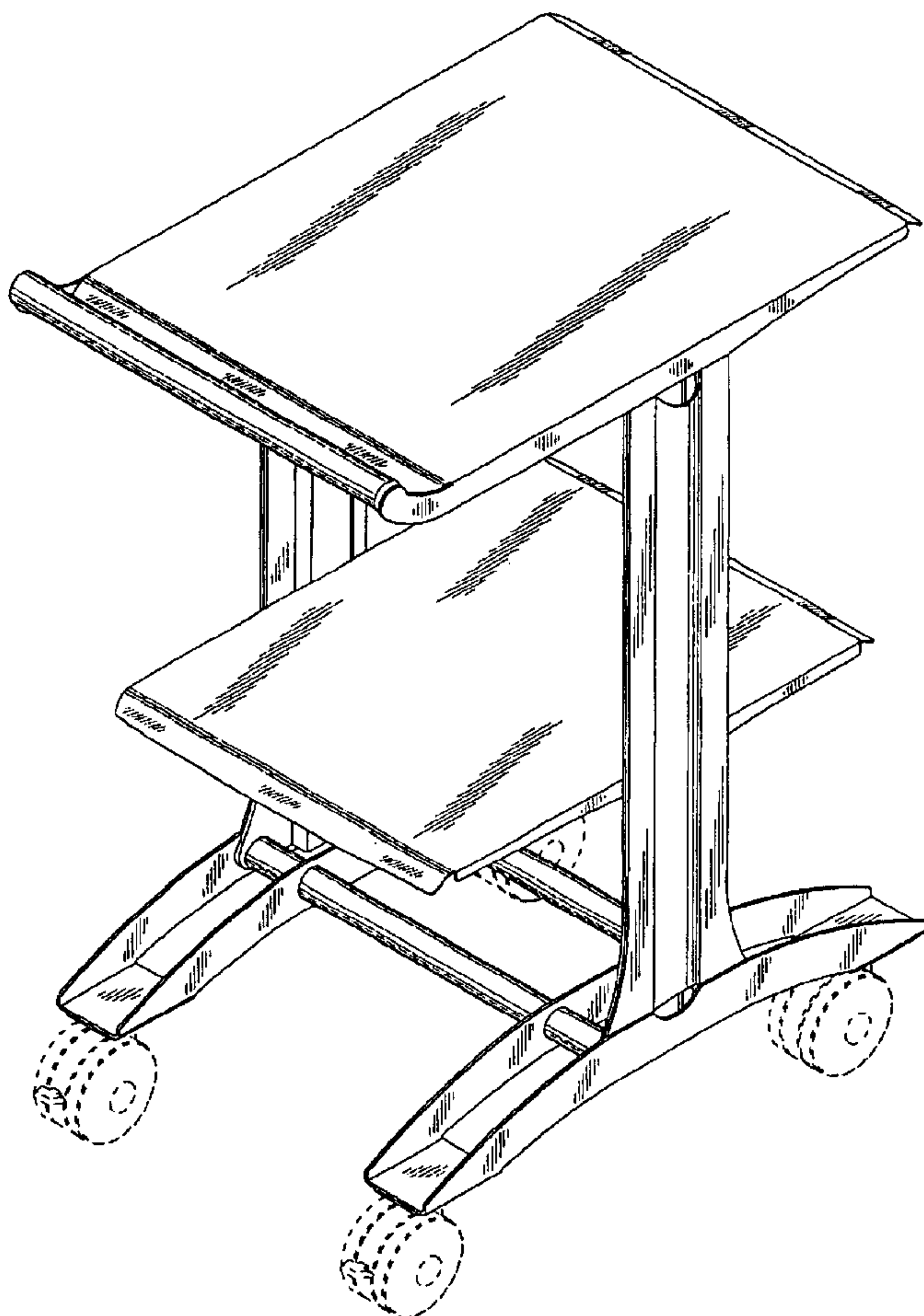


FIG. 1

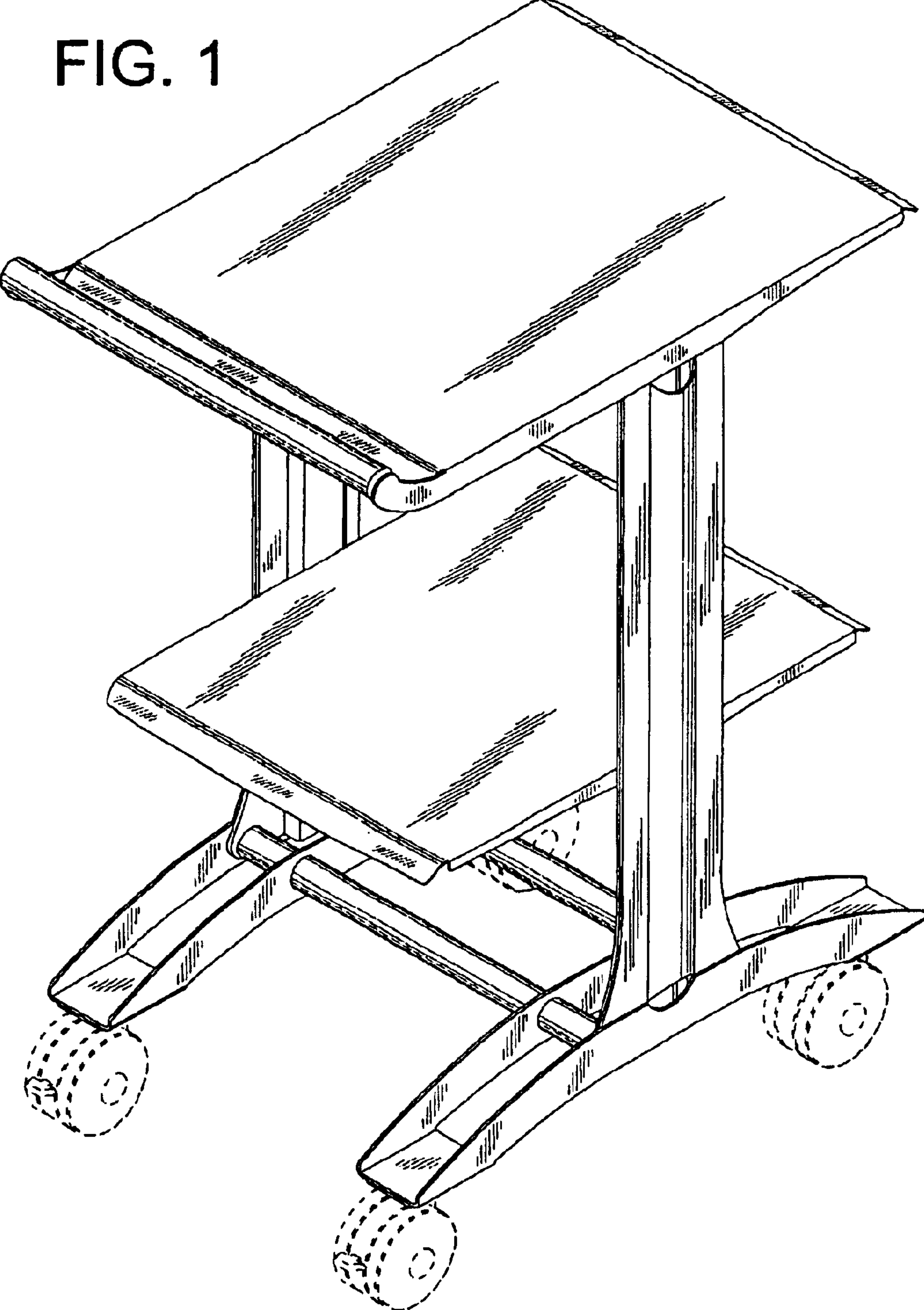


FIG. 2

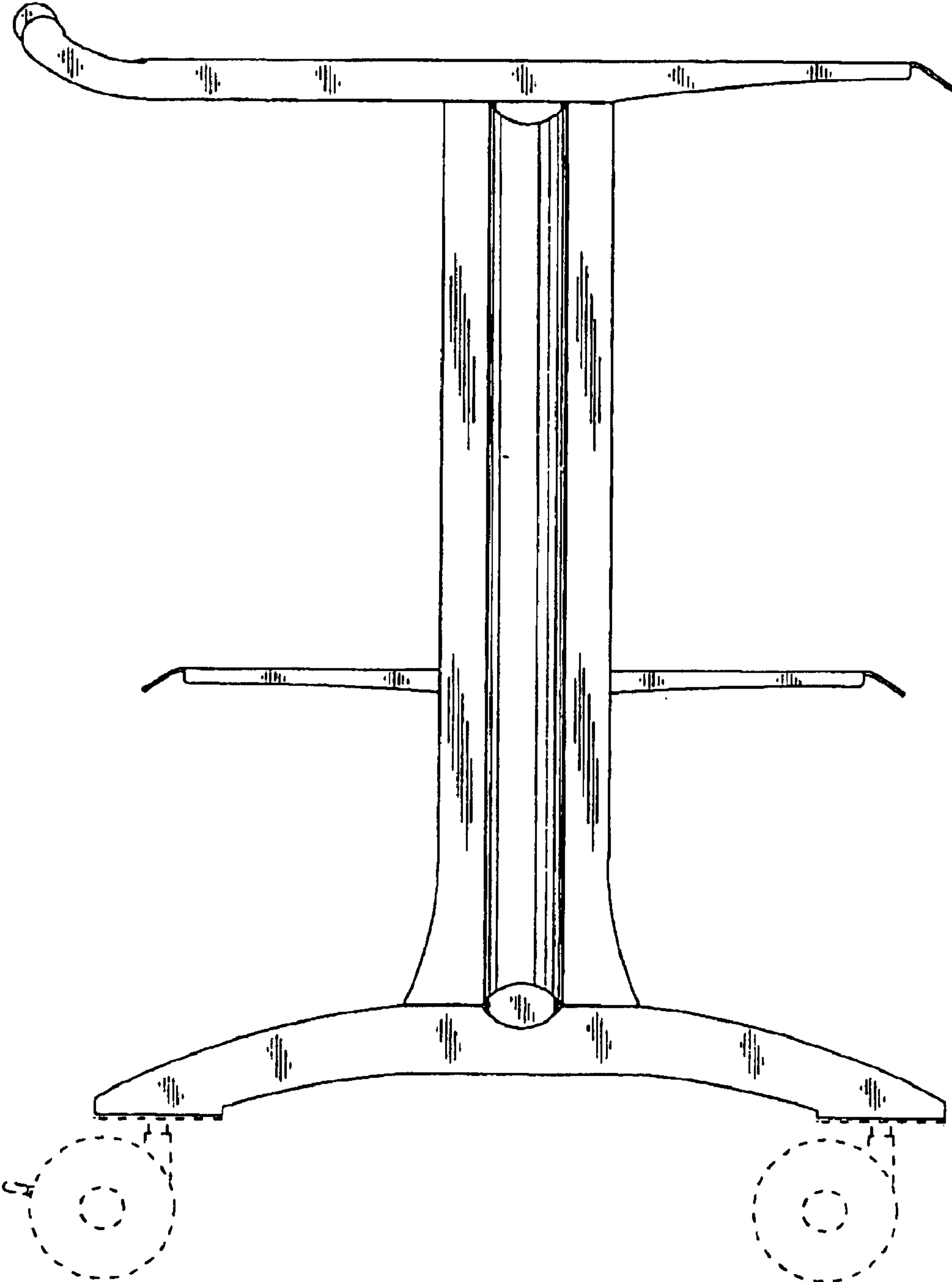


FIG. 3

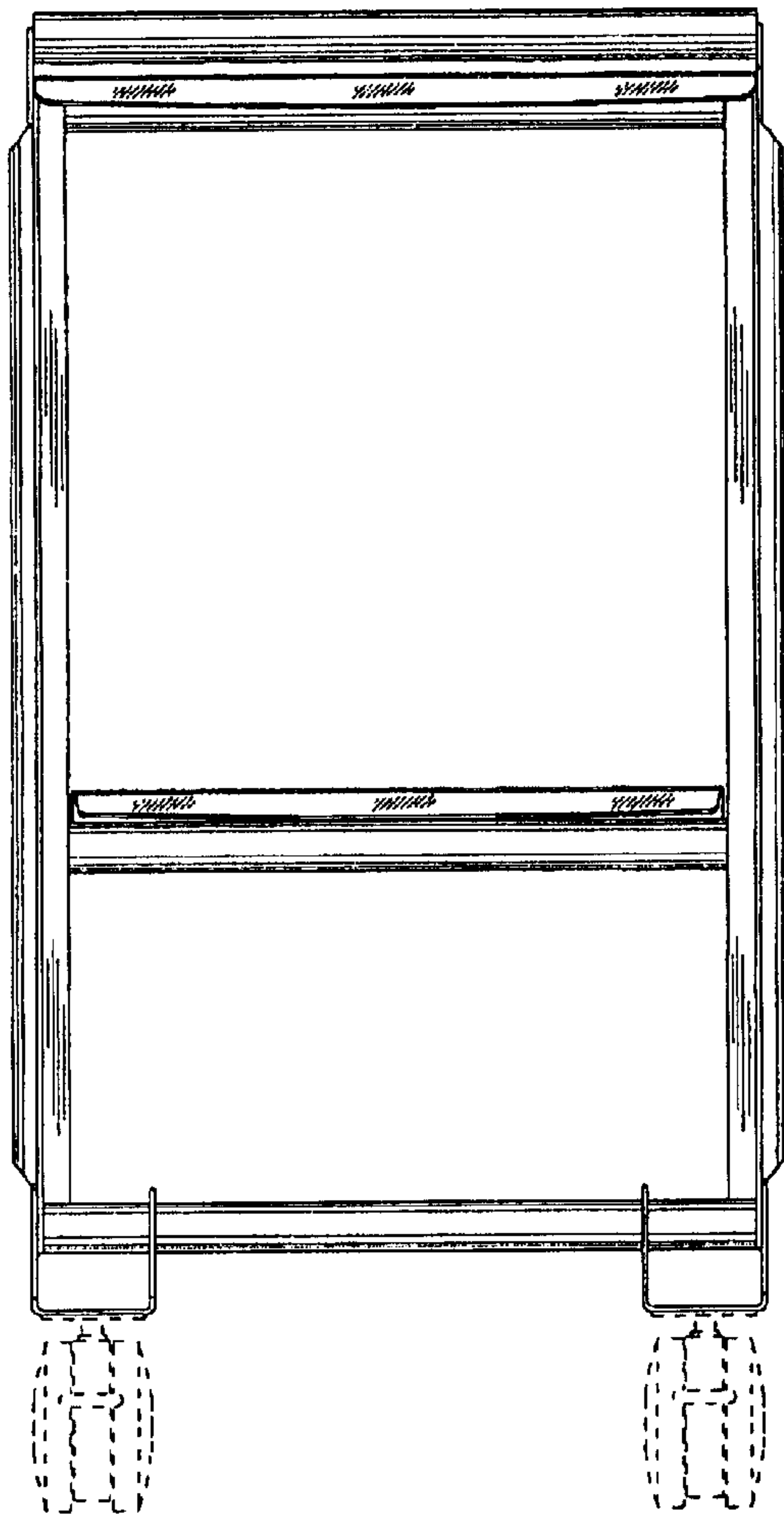


FIG. 4

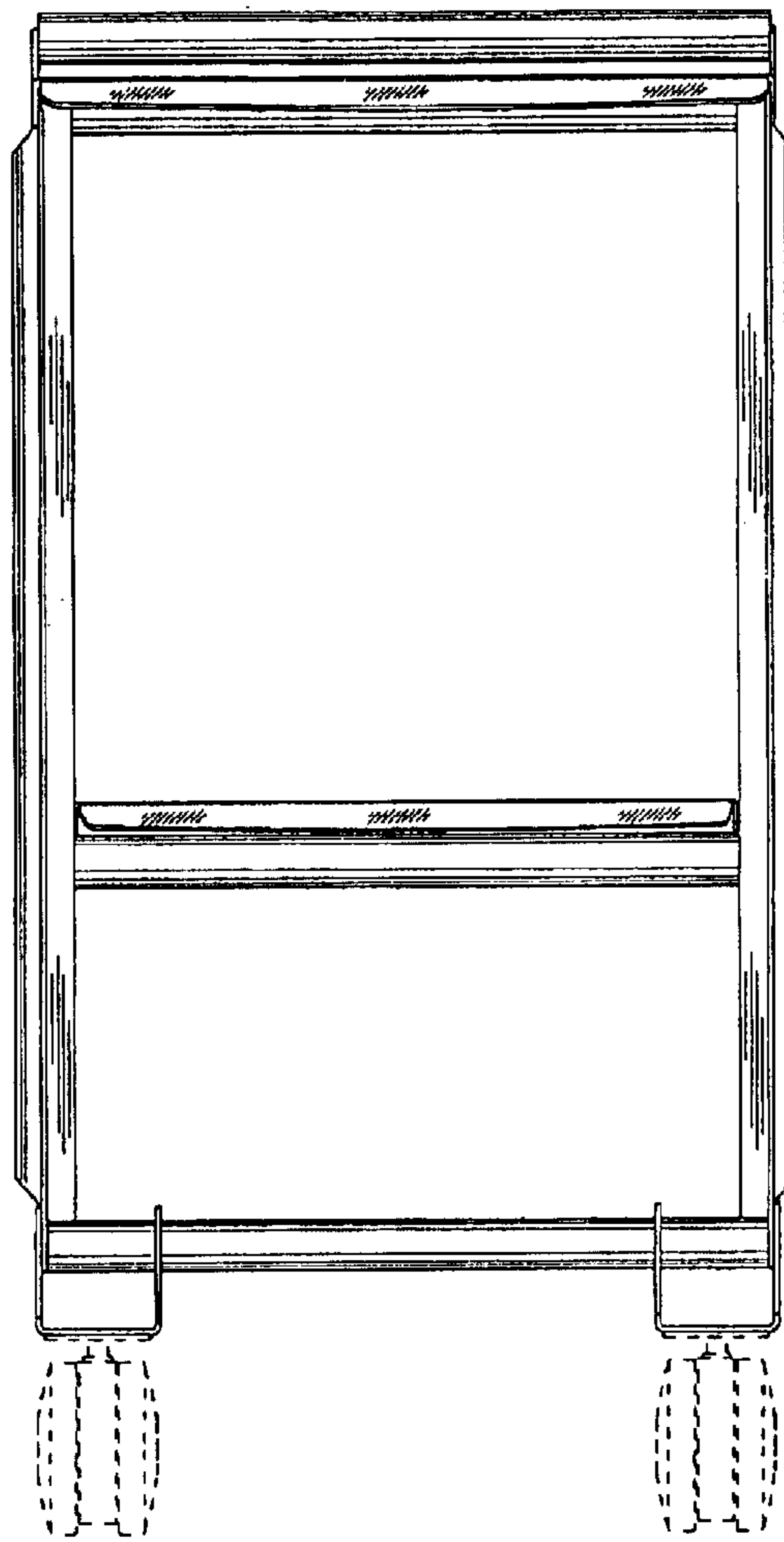


FIG. 5

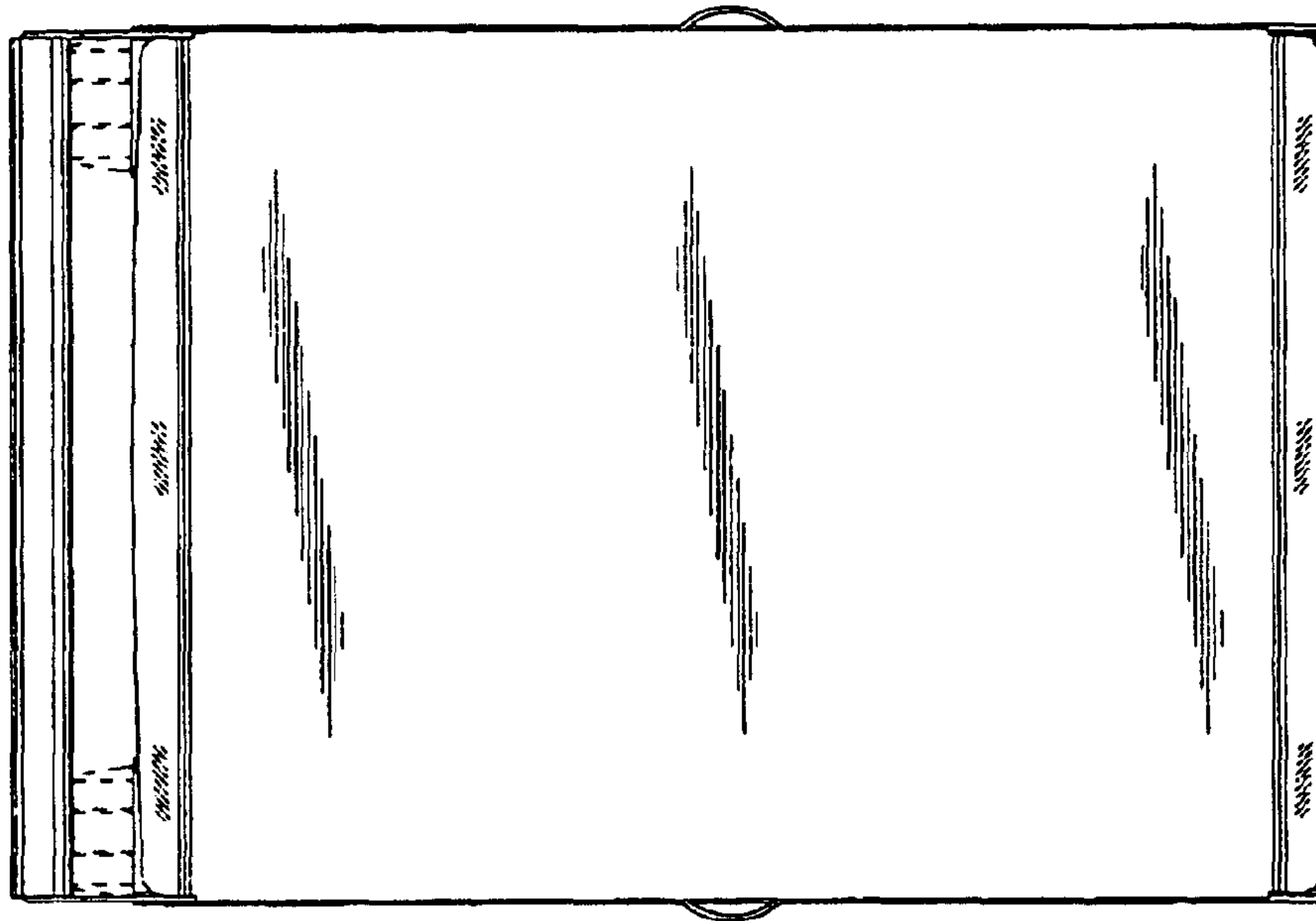


FIG. 6

