



US00D500573S

(12) **United States Design Patent**
Emory et al.

(10) **Patent No.: US D500,573 S**
(45) **Date of Patent: ** Jan. 4, 2005**

(54) **LUMINAIRE BRACKET**

(76) Inventors: **Jon Mark Emory**, 520 Deerfield Dr., Newark, OH (US) 43055; **Jeffrey Douglas McClow**, 234 Trail Ct., Newark, OH (US) 43055; **Ashraf Alfayez**, 1690-A Lakeview Dr., Newark, OH (US) 43055; **Rick Martin Kelly**, 222 Derby Downs Rd., Newark, OH (US) 43055

(**) Term: **14 Years**

(21) Appl. No.: **29/207,818**

(22) Filed: **Jun. 18, 2004**

(51) **LOC (7) Cl.** **26-99**

(52) **U.S. Cl.** **D26/138; D26/67**

(58) **Field of Search** D26/67, 68, 71, D26/72, 80-82, 85-87, 92, 128-132, 145-147, 138, 155, 156; 362/147, 153, 153.1, 370, 431, 432, 404-408; 248/219.2

(56) **References Cited**

U.S. PATENT DOCUMENTS

572,354 A	*	12/1896	Buckner	248/219.2
776,360 A	*	11/1904	Slinack	362/431
D50,603 S	*	4/1917	Booth	D26/131
D104,447 S	*	5/1937	Haas	D26/67
D201,909 S	*	8/1965	Harling	D26/71
5,704,704 A	*	1/1998	Reichard et al.	362/477
D400,277 S	*	10/1998	Ewing et al.	D26/67
6,474,848 B1	*	11/2002	Lahner et al.	D26/67
D494,310 S	*	8/2004	Cline et al.	D26/128

* cited by examiner

Primary Examiner—Clare E Heflin

(74) *Attorney, Agent, or Firm*—Needle & Rosenberg, PC.

(57) **CLAIM**

The ornamental design for a luminaire bracket, as shown and described.

DESCRIPTION

FIG. 1 is a perspective view of a luminaire bracket of the present invention;

FIG. 2 is a left side elevational view of the luminaire bracket of FIG. 1, the right, opposite, side of which is a mirror image thereof;

FIG. 3 is a front elevational view of the luminaire bracket of FIG. 1;

FIG. 4 is a rear elevational view of the luminaire bracket of FIG. 1;

FIG. 5 is a top plan view of the luminaire bracket of FIG. 1;

FIG. 6 is a bottom plan view of the luminaire bracket of FIG. 1;

FIG. 7 is a perspective view of a second embodiment of the luminaire bracket of the present invention;

FIG. 8 is a left side elevational view of the luminaire bracket of FIG. 7, the right, opposite, side of which is a mirror image thereof;

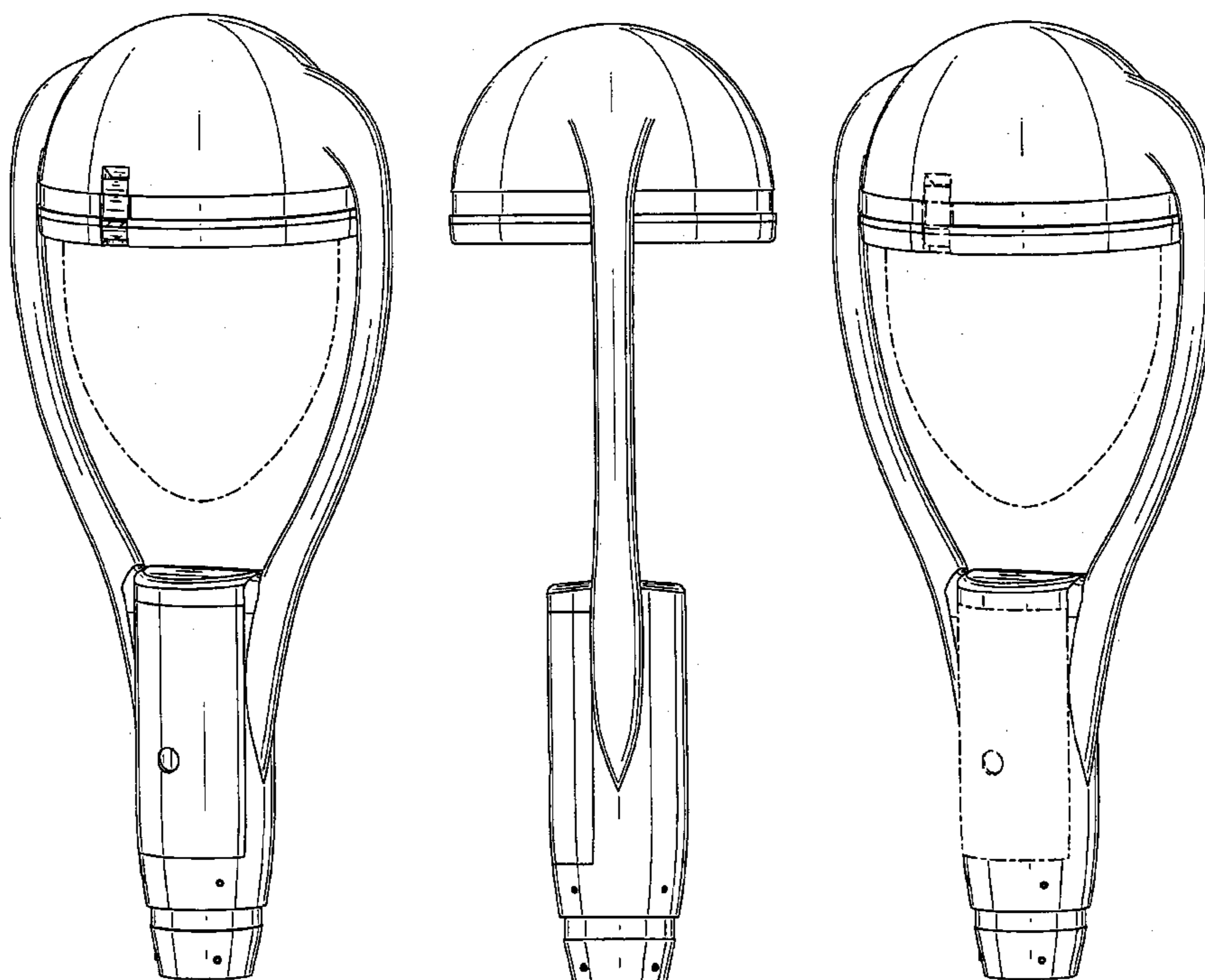
FIG. 9 is a front elevational view of the luminaire bracket of FIG. 7, the rear, opposite, side of which is a mirror image thereof;

FIG. 10 is a top plan view of the luminaire bracket of FIG. 7; and,

FIG. 11 is a bottom plan view of the luminaire bracket of FIG. 7.

The broken lines shown are for illustrative purposes only and form no part of the claimed design.

1 Claim, 11 Drawing Sheets



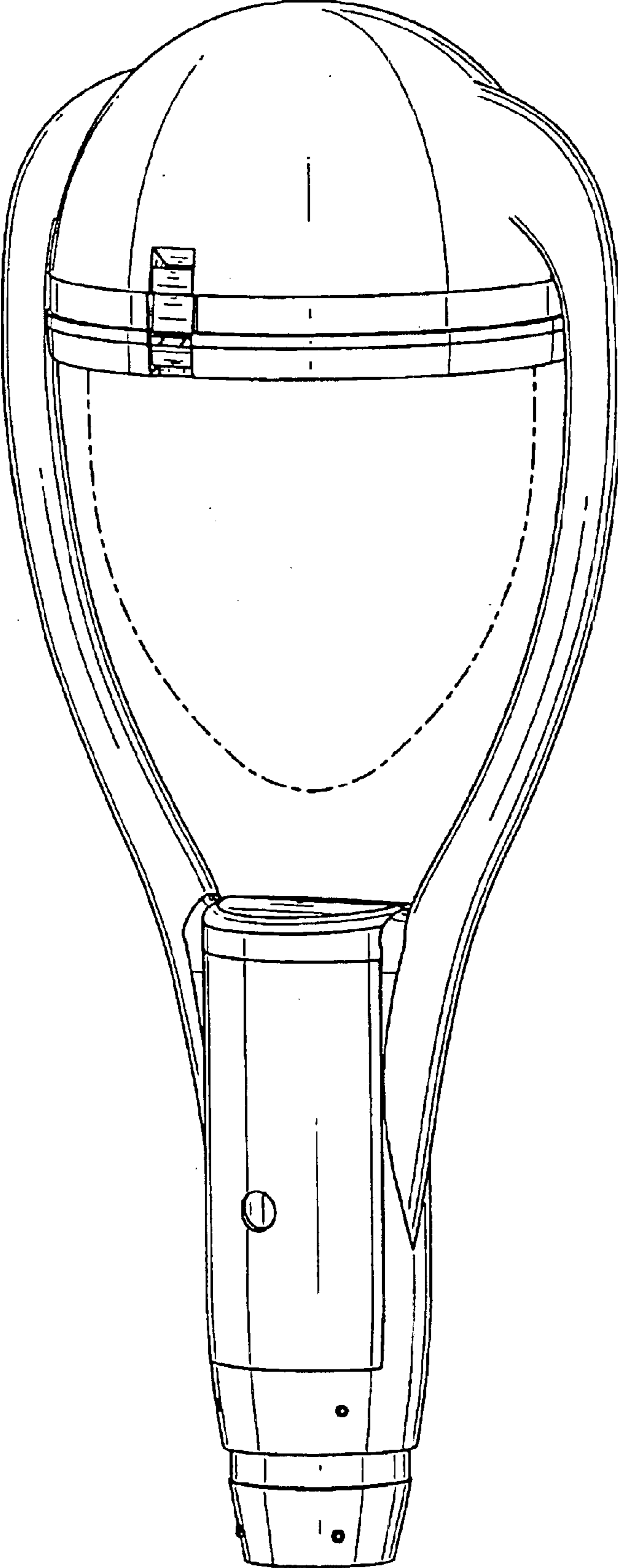


FIG. 1

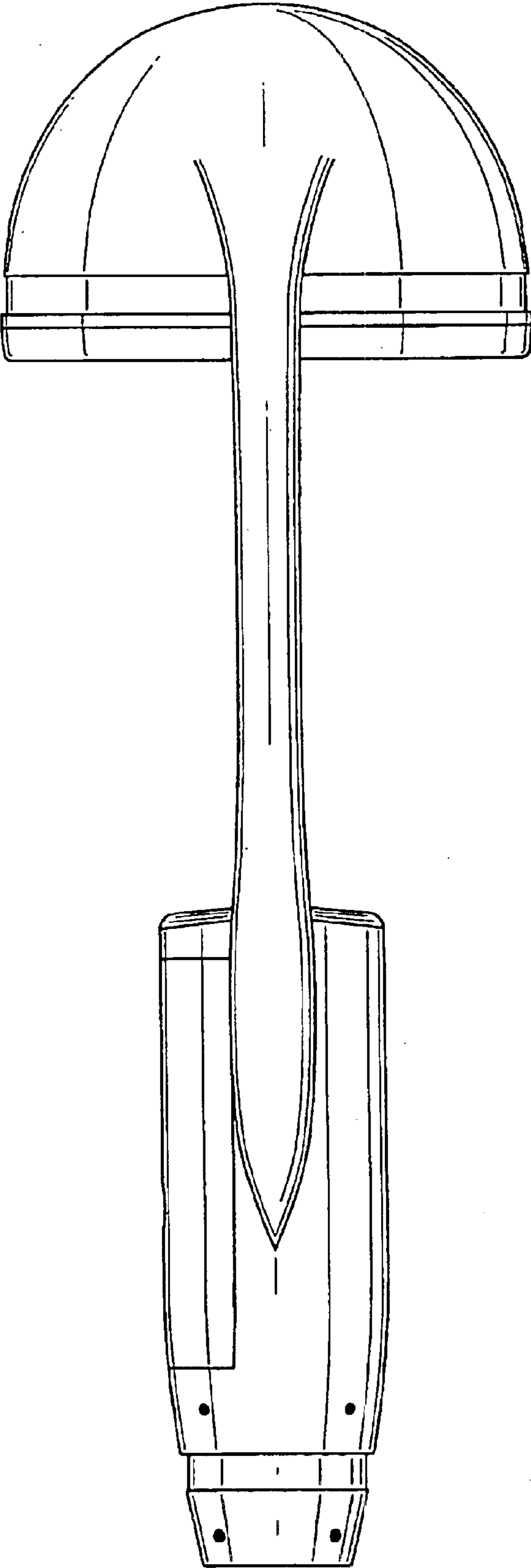


FIG. 2

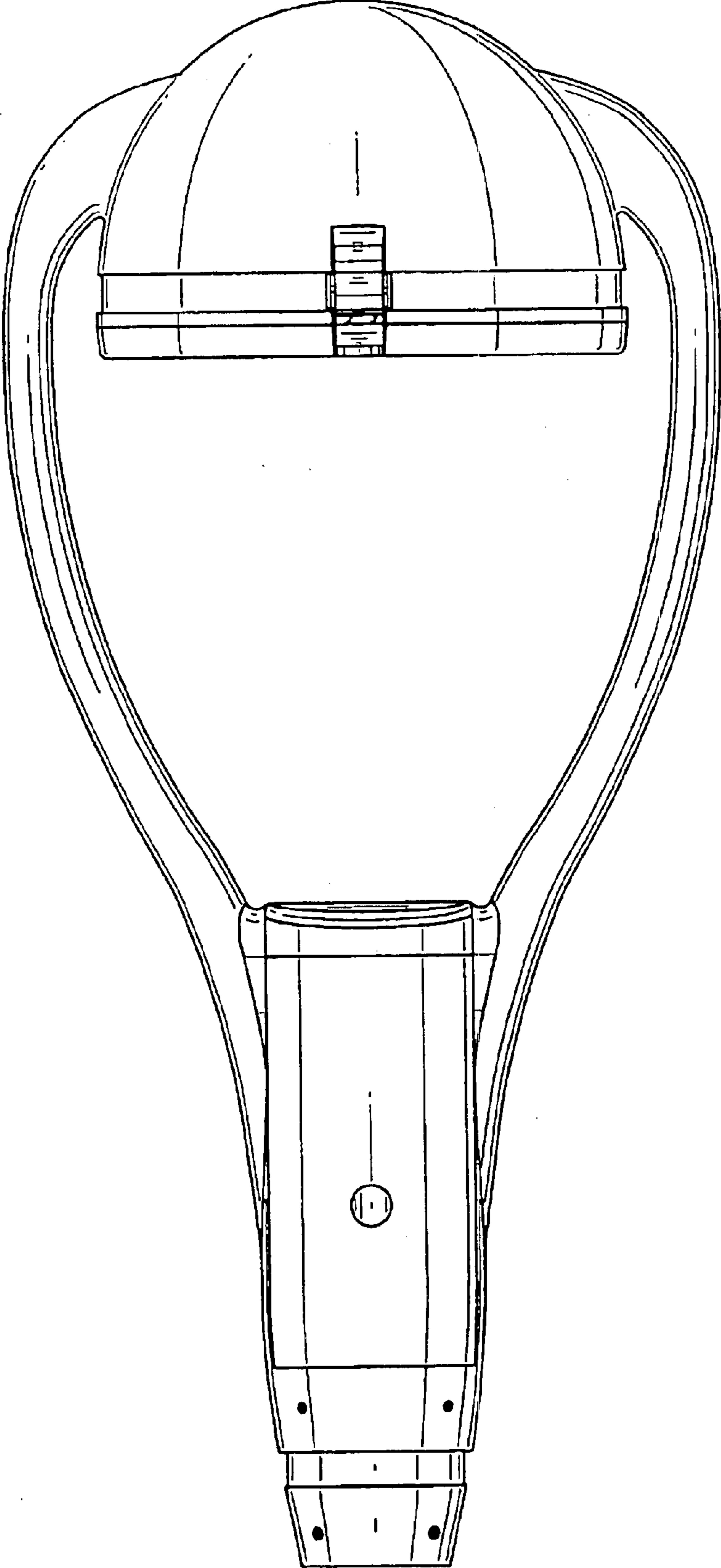


FIG. 3

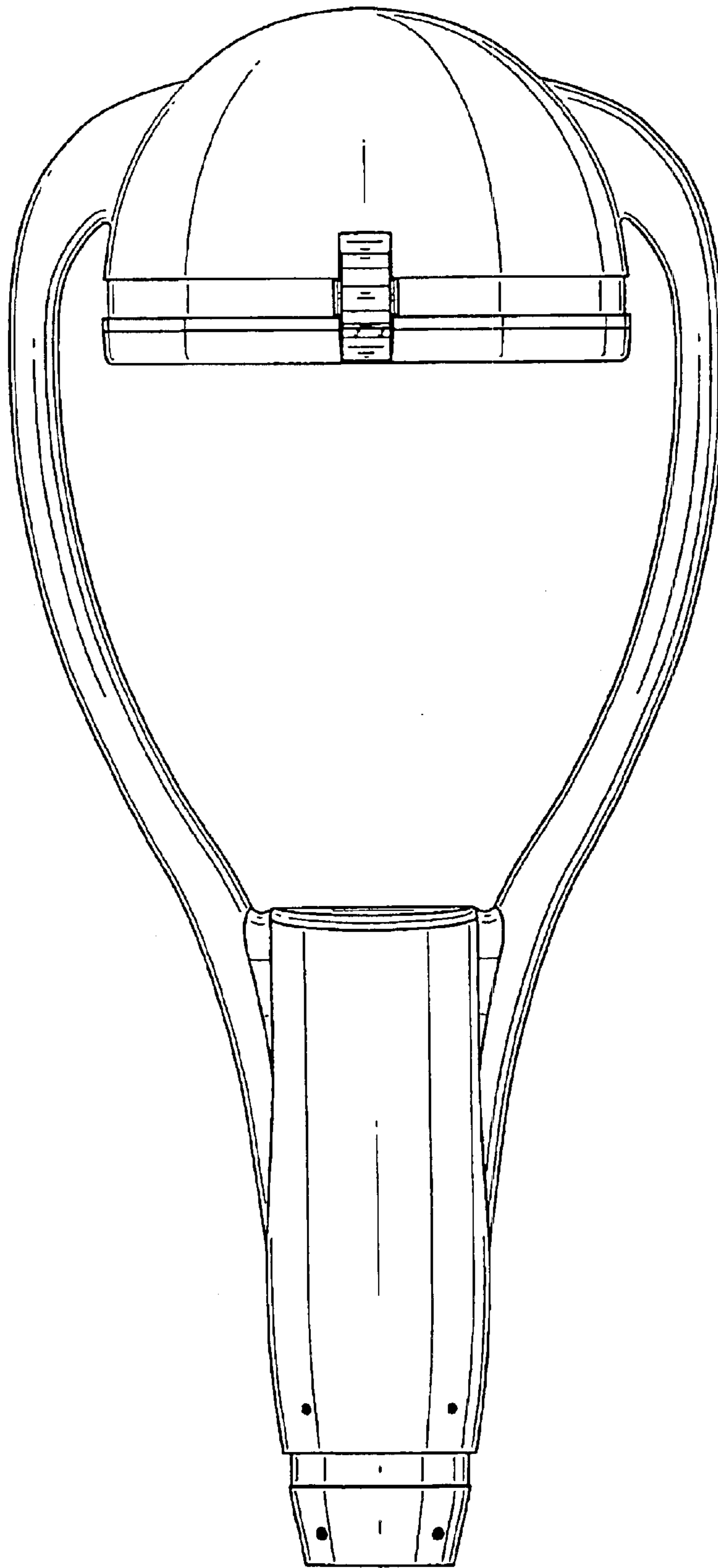


FIG. 4

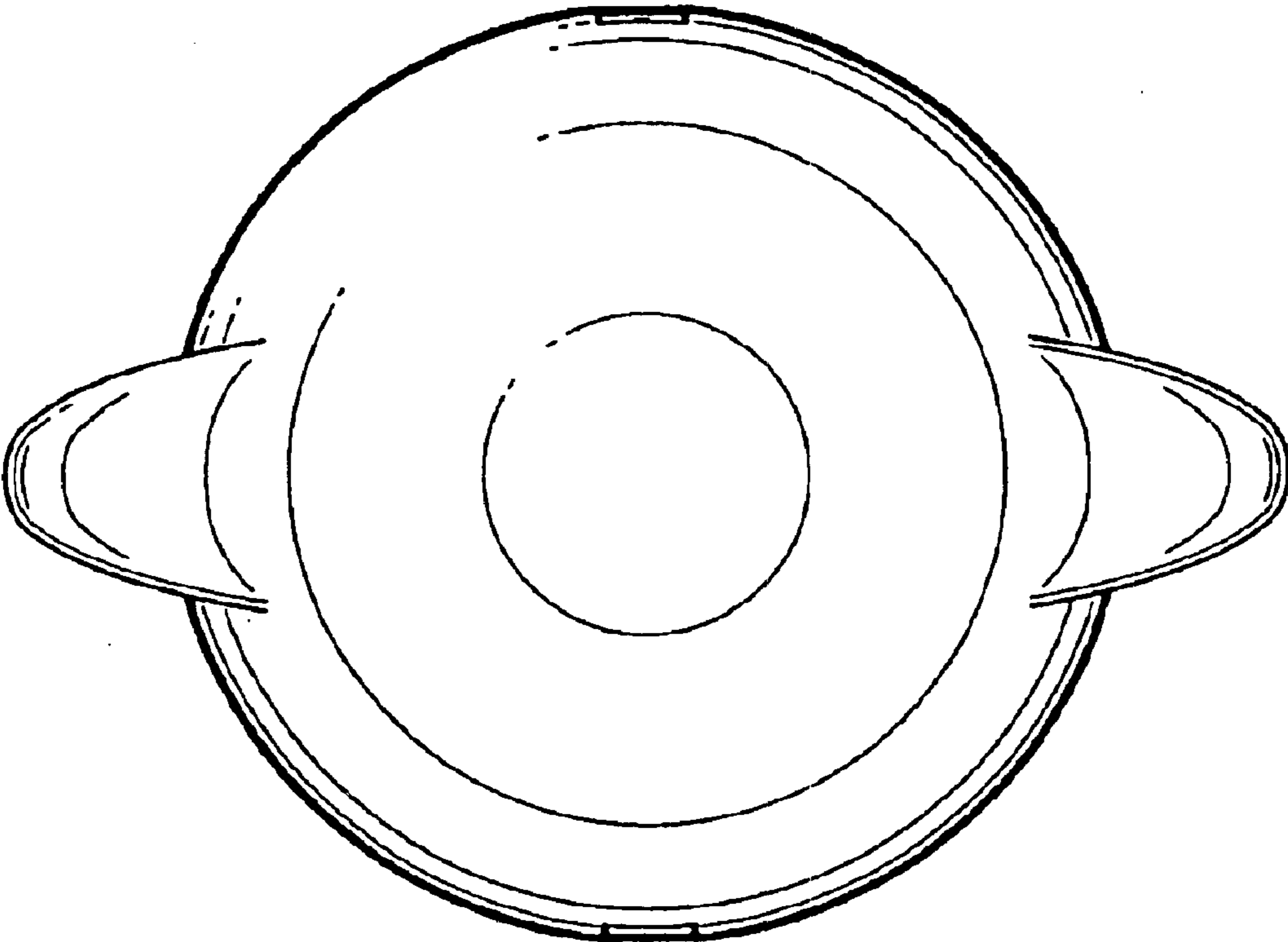


FIG. 5

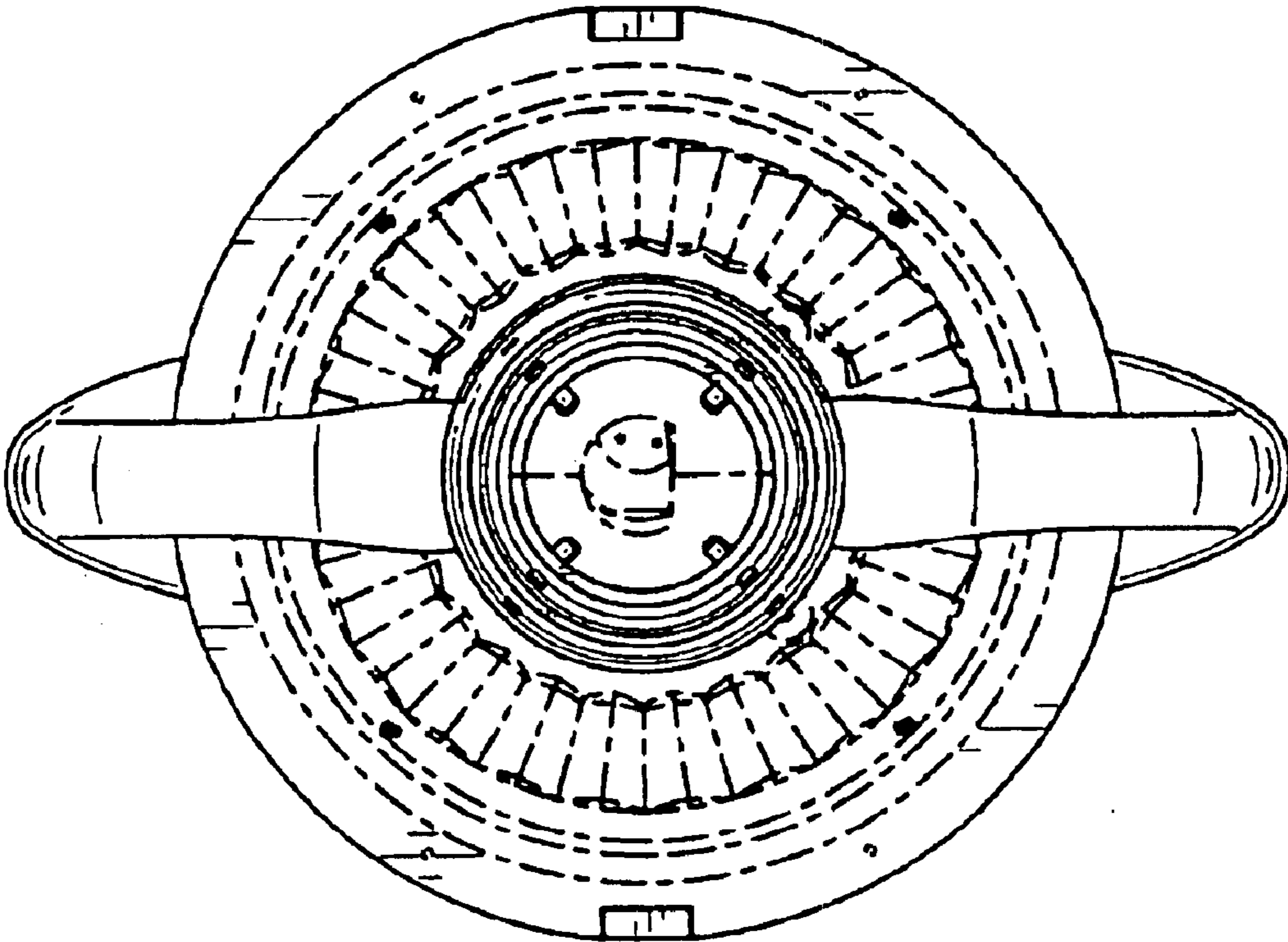


FIG. 6

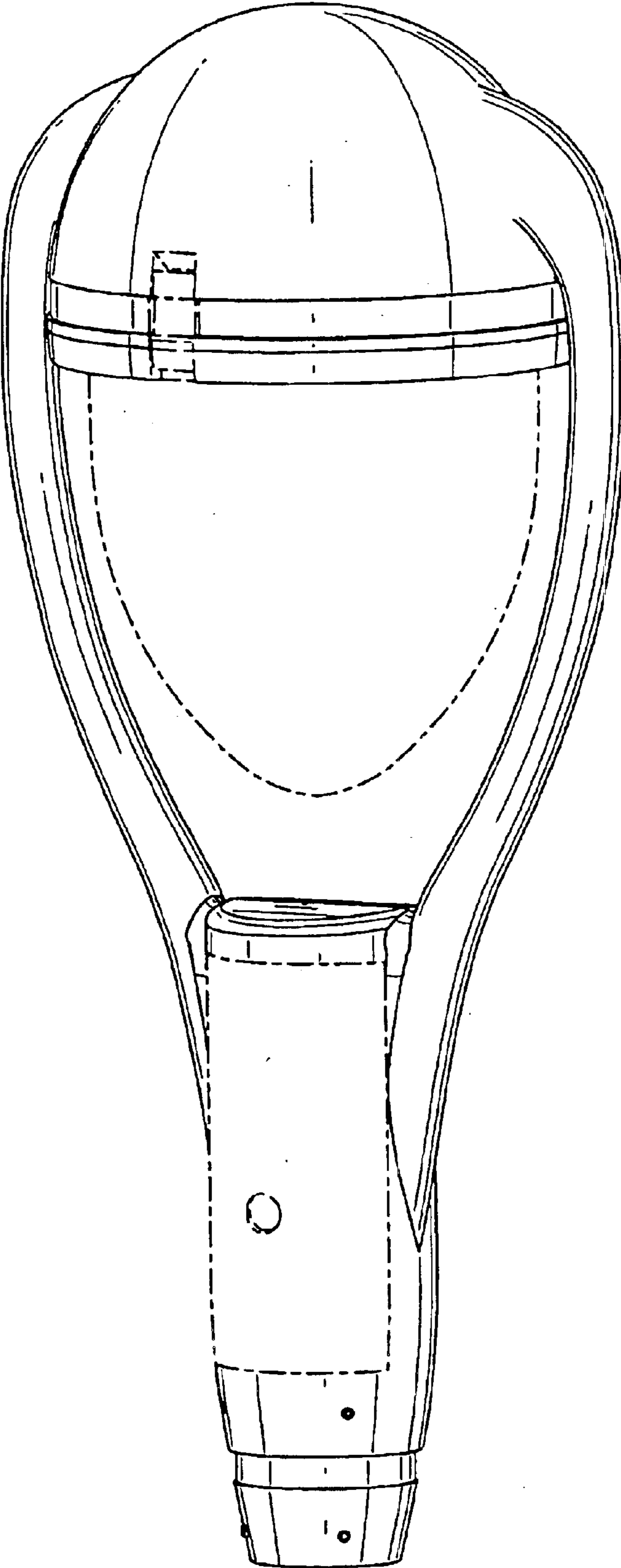


FIG. 7

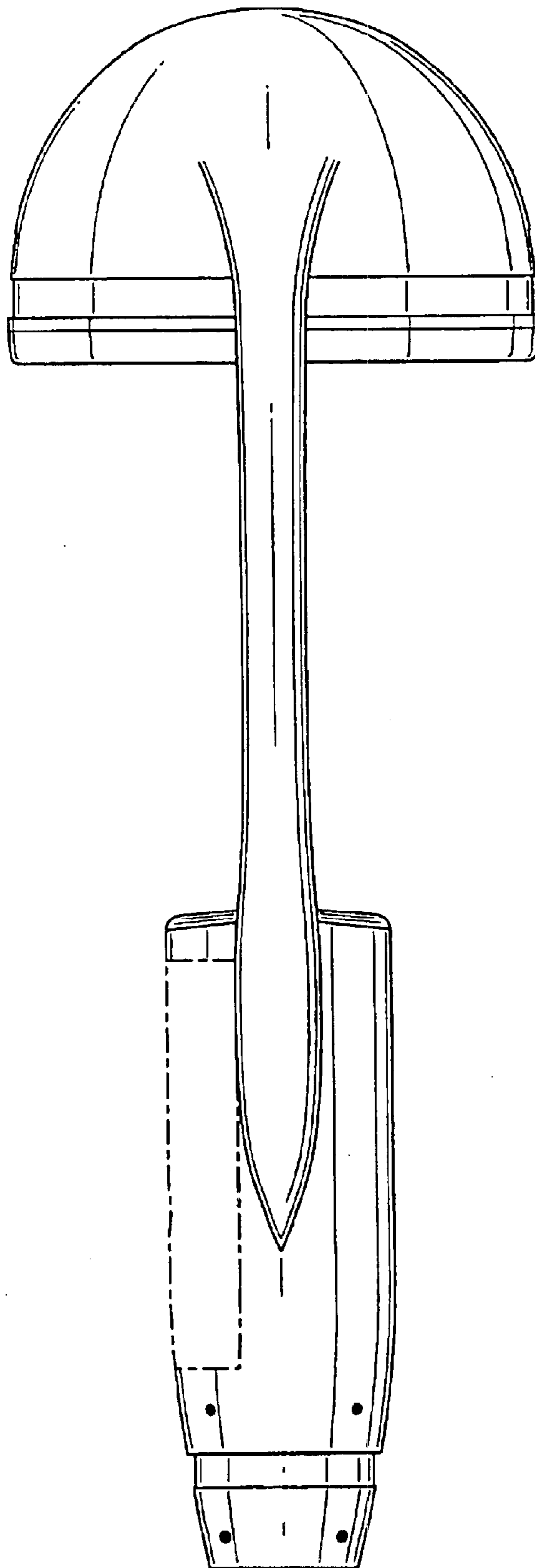


FIG. 8

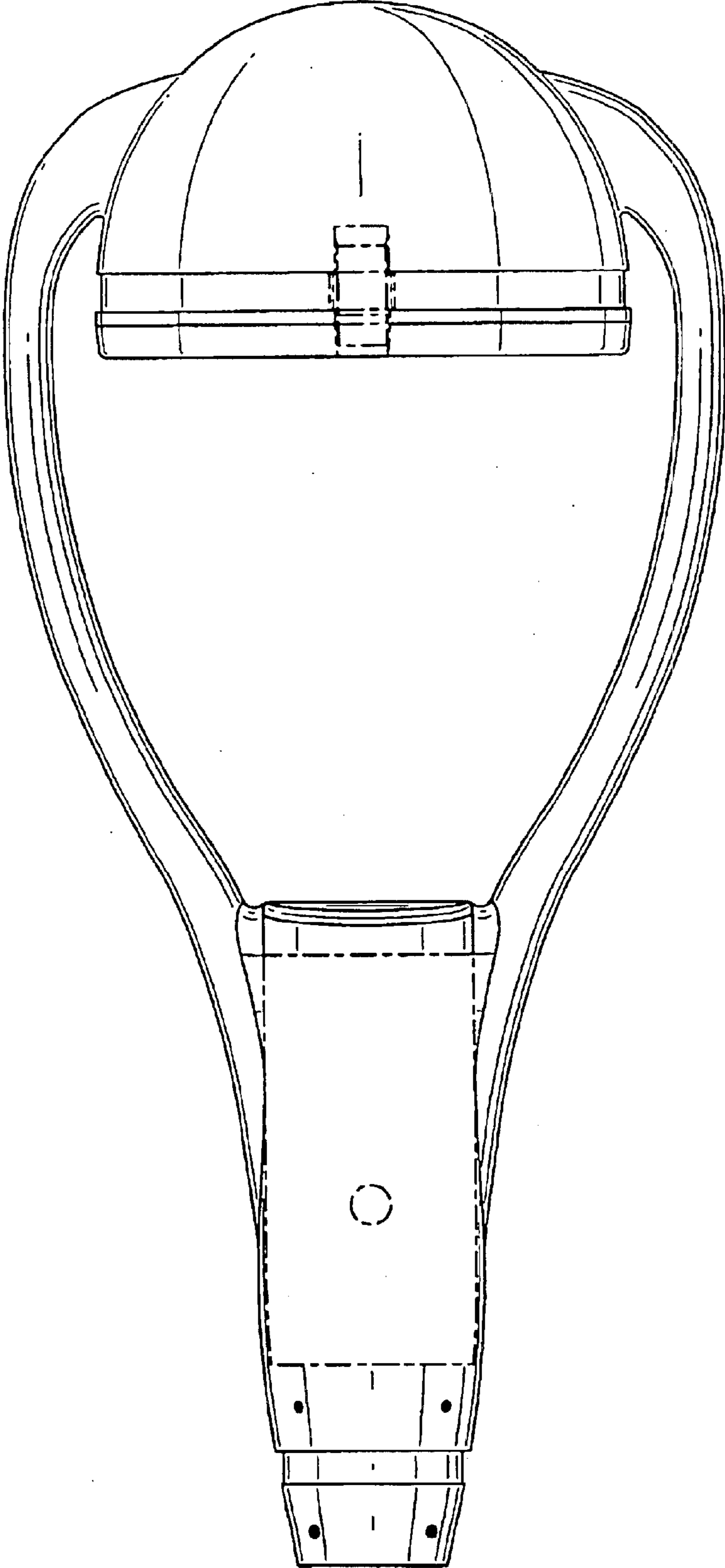


FIG. 9

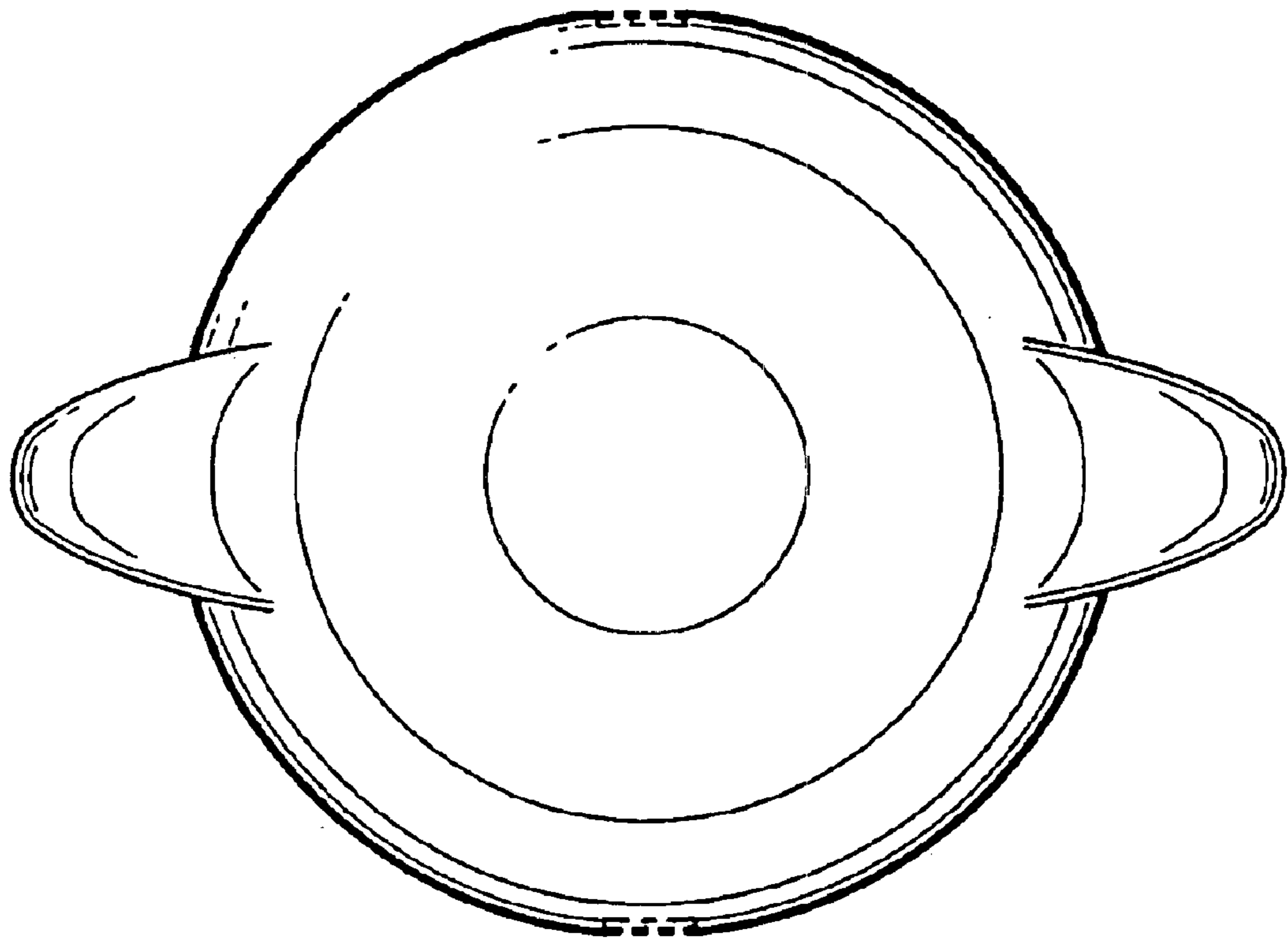


FIG. 10

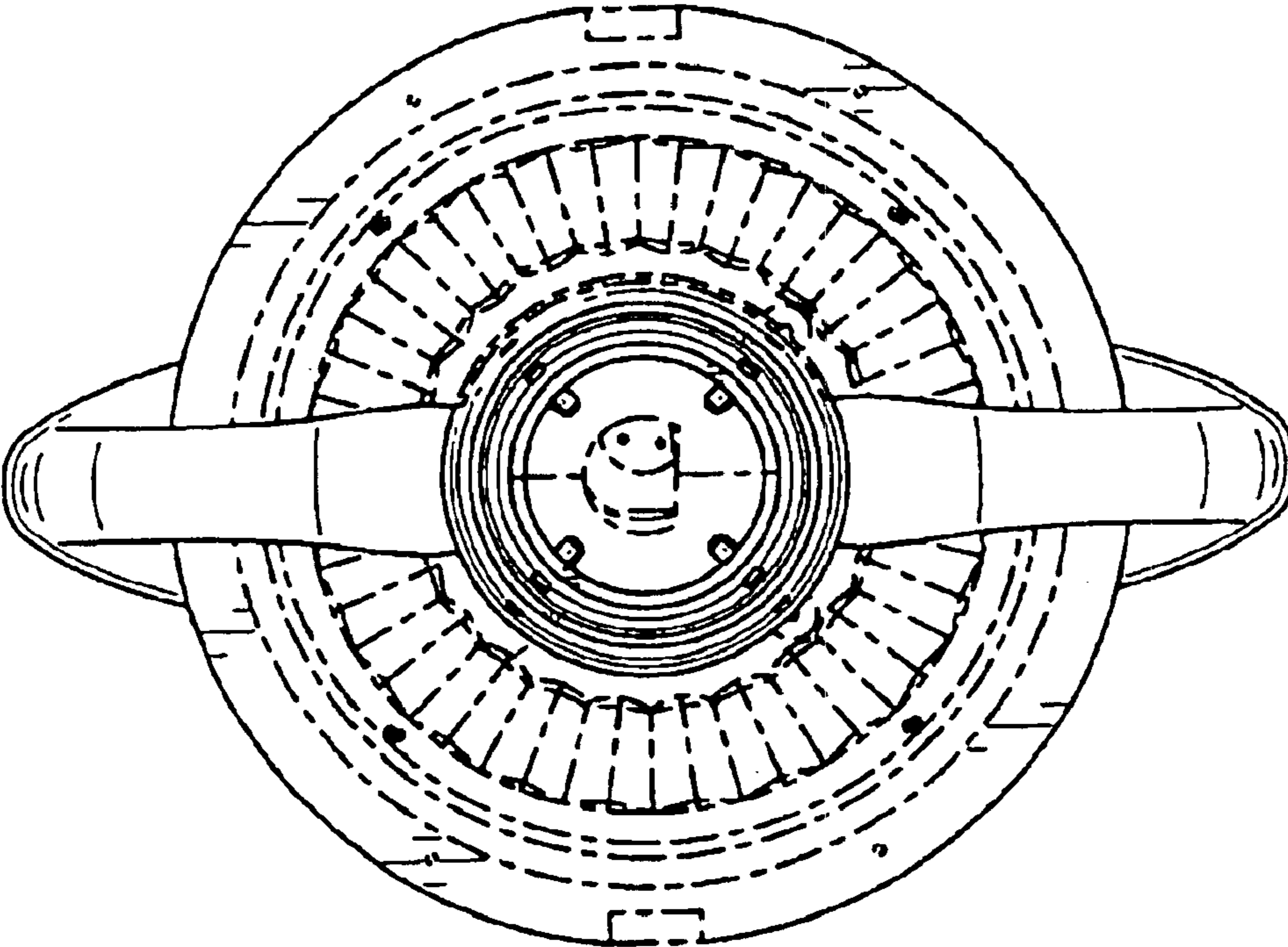


FIG. 11