



US00D500572S

(12) **United States Design Patent**
Linder, Jr. et al.

(10) **Patent No.: US D500,572 S**
(45) **Date of Patent: ** Jan. 4, 2005**

(54) **DECORATIVE TABLE LAMP**

(76) Inventors: **Thomas M. Linder, Jr.**, 4426 N. 81st Ave., Phoenix, AZ (US) 85033; **Robert L. Williams**, 8502 N. 67th Ave., Apt. 257, Glendale, AZ (US) 85302

(**) Term: **14 Years**

(21) Appl. No.: **29/199,287**

(22) Filed: **Feb. 11, 2004**

(51) **LOC (7) Cl.** **26-03**

(52) **U.S. Cl.** **D26/93**

(58) **Field of Search** D26/51, 93-112,
D26/142; 362/410-414, 806

(56) **References Cited**

U.S. PATENT DOCUMENTS

D270,484 S * 9/1983 White D26/94
D294,069 S * 2/1988 Morrison D26/93

* cited by examiner

Primary Examiner—Alan P. Douglas
Assistant Examiner—Linda Brooks

(74) *Attorney, Agent, or Firm*—Cahill, von Hellens & Glazer, P.L.C.

(57) **CLAIM**

The ornamental design for a decorative table lamp, as shown and described.

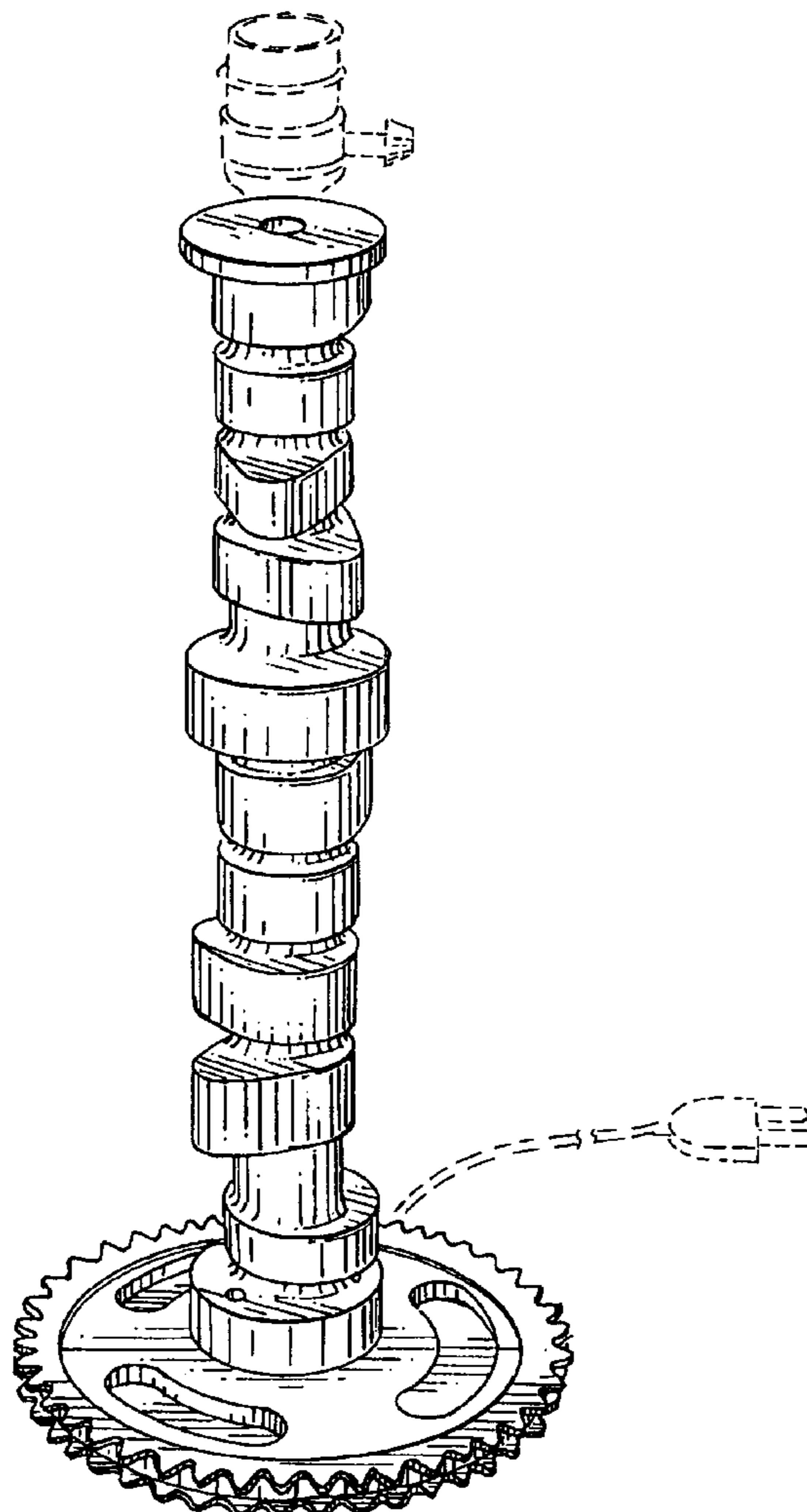
DESCRIPTION

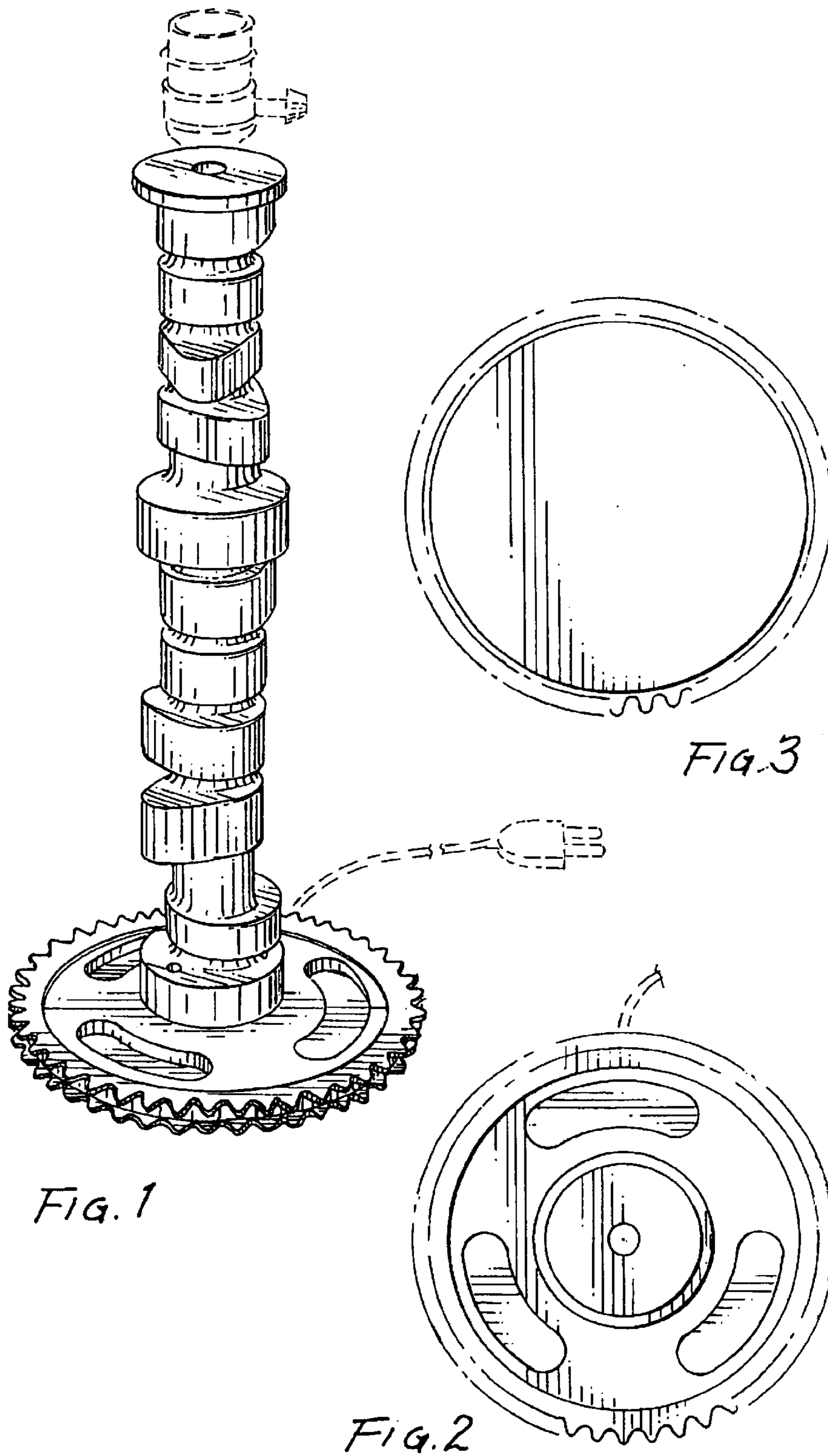
FIG. 1 is a perspective view of a decorative table lamp illustrating our new design; FIG. 2 is a top view thereof; FIG. 3 is a bottom view thereof; FIG. 4 is a front view thereof; and, FIG. 5 is a side view thereof.

The gear teeth are shown fragmentarily in FIGS. 2 and 3 for convenience of illustration.

The broken lines shown are for illustrative purposes only and form no part of the claimed design.

1 Claim, 2 Drawing Sheets





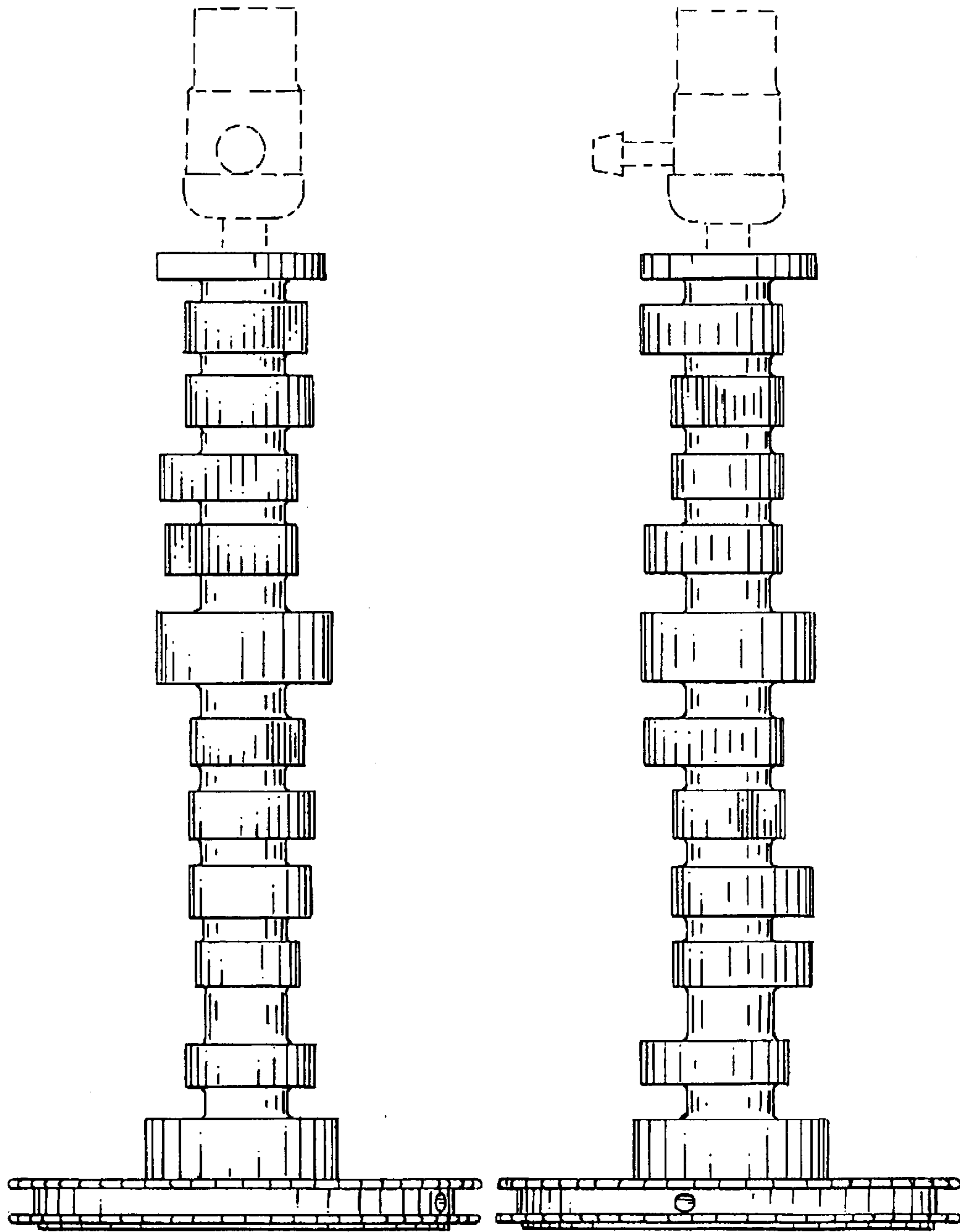


FIG. 4

FIG. 5