



US00D500571S

(12) **United States Design Patent**
Burke et al.

(10) **Patent No.:** **US D500,571 S**
(45) **Date of Patent:** **** Jan. 4, 2005**

(54) **RENAISSANCE OUTDOOR LANTERN**

(75) Inventors: **John T. Burke**, Abington, MA (US);
James Keng, Palos Verdes Estates, CA (US)

(73) Assignee: **Cordelia Lighting Inc.**, Rancho Dominguez, CA (US)

(**) Term: **14 Years**

(21) Appl. No.: **29/161,053**

(22) Filed: **May 22, 2002**

(51) **LOC (7) Cl.** **26-03**

(52) **U.S. Cl.** **D26/92**

(58) **Field of Search** D26/67, 68, 72-92,
D26/113, 118, 128, 129; 362/147, 363,
367, 368, 404-408, 432

(56) **References Cited**

U.S. PATENT DOCUMENTS

D42,688 S * 7/1912 Grelle D26/68
D465,059 S * 10/2002 De'Armond D26/129

* cited by examiner

Primary Examiner—Clare E Heflin

(74) *Attorney, Agent, or Firm*—Paul Y. Feng; Fulwider Patton Lee & Utecht, LLP

(57) **CLAIM**

The ornamental design for a renaissance outdoor lantern, as shown and described.

DESCRIPTION

FIG. 1 is a side elevational view of a renaissance outdoor lantern, showing my new design, wherein the opposite side is identical to the exposed side;

FIG. 2 is a perspective view of one side and the top of the design shown in FIG. 1;

FIG. 3 is a perspective view of one side and the bottom;

FIG. 4 is a top plan view;

FIG. 5 is a bottom plan view;

FIG. 6 is a side elevational view of a second embodiment of the design shown in FIG. 1, wherein the opposite side is identical to the exposed side;

FIG. 7 is a perspective view of one side and the top of the second embodiment shown in FIG. 6;

FIG. 8 is a perspective view of one side and the bottom;

FIG. 9 is a top plan view;

FIG. 10 is a bottom plan view;

FIG. 11 is a side elevational view of a third embodiment of the design shown in FIG. 1, wherein the opposite side is identical to the exposed side;

FIG. 12 is a perspective view of one side and the top of the third embodiment shown in FIG. 11;

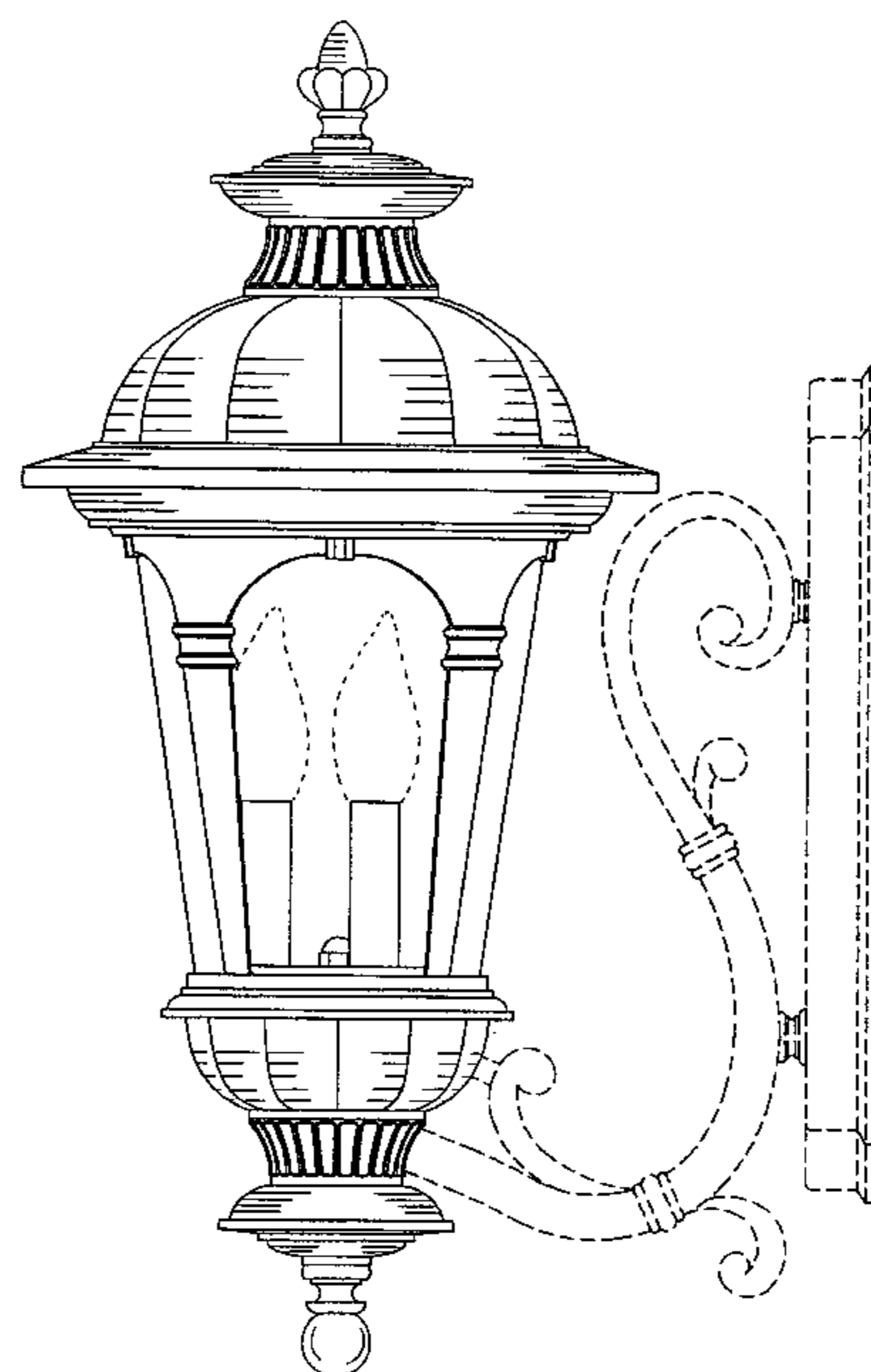
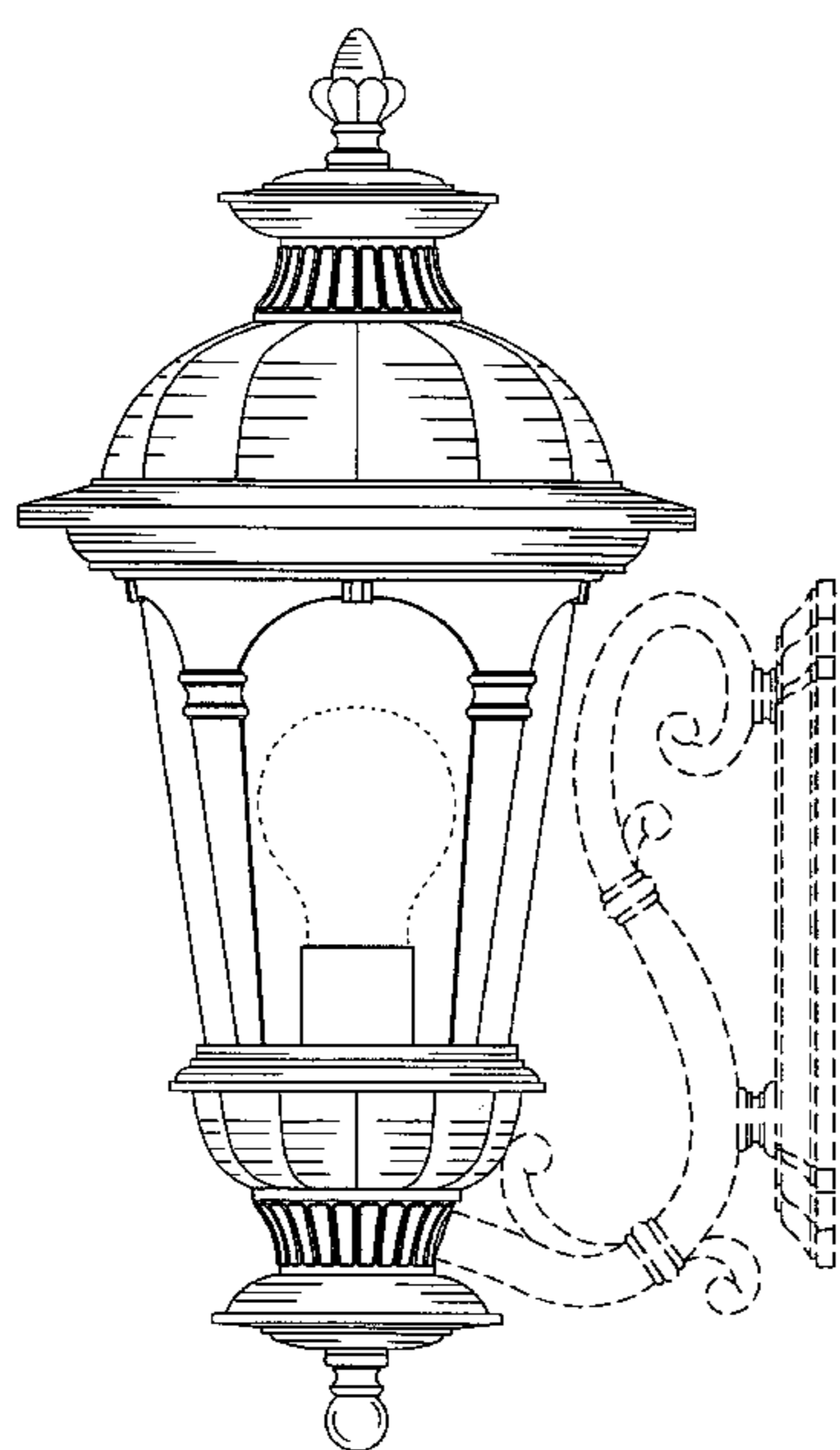
FIG. 13 is a perspective view of one side and the bottom;

FIG. 14 is a top plan view; and,

FIG. 15 is a bottom plan view.

The broken lines shown on the drawings are for illustrative purposes only and form no part of the claimed design.

1 Claim, 15 Drawing Sheets



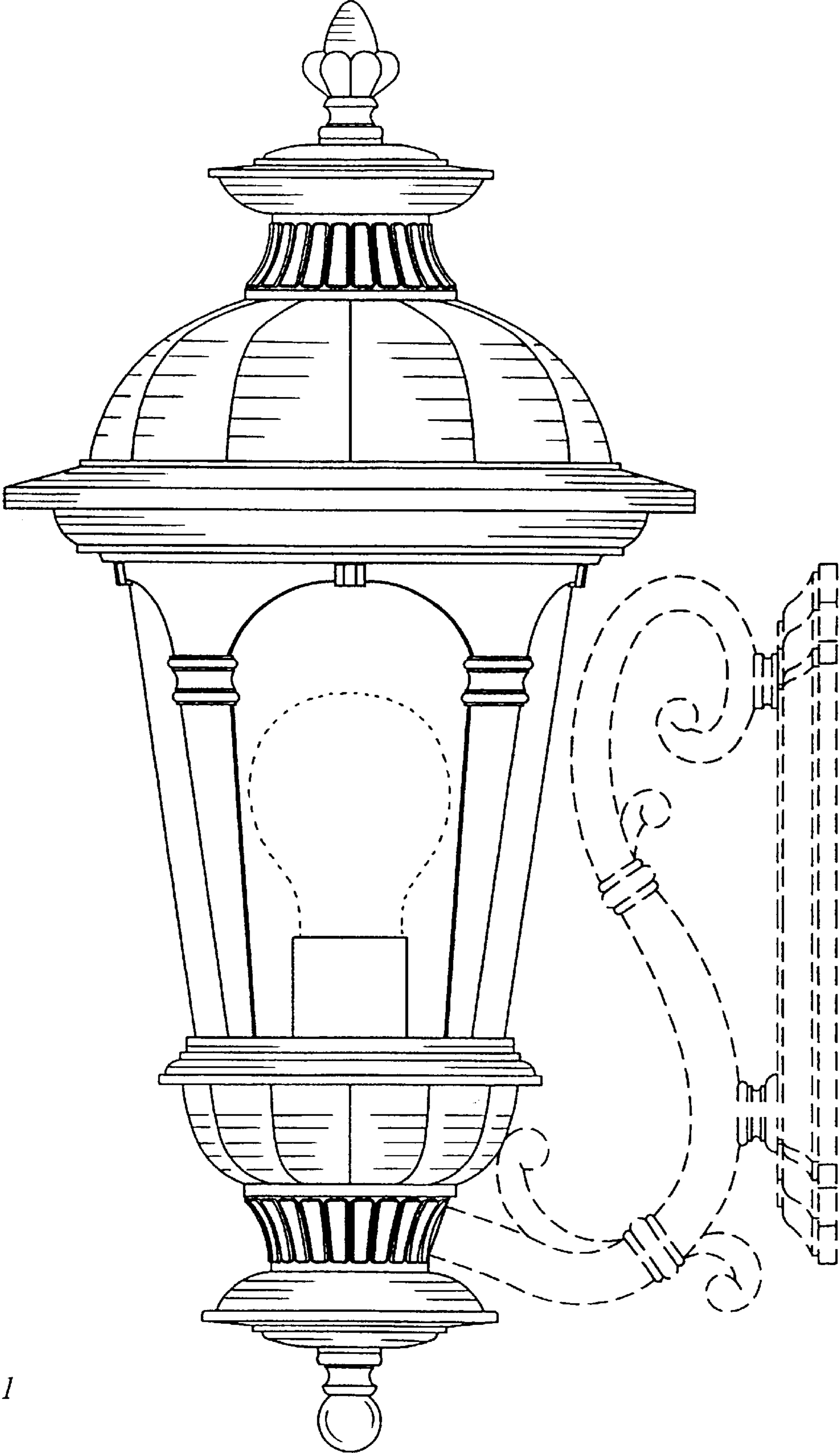


FIG. 1

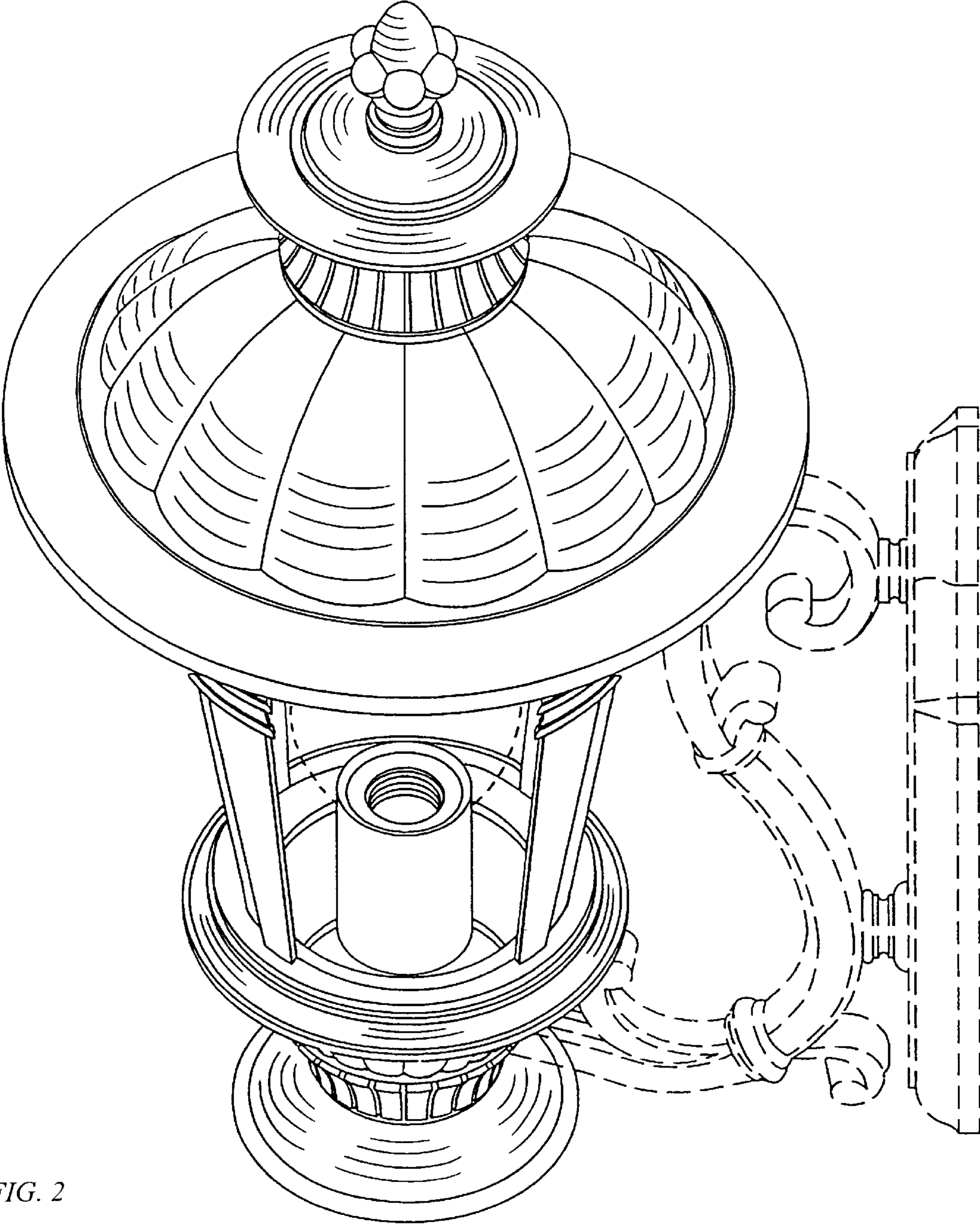


FIG. 2

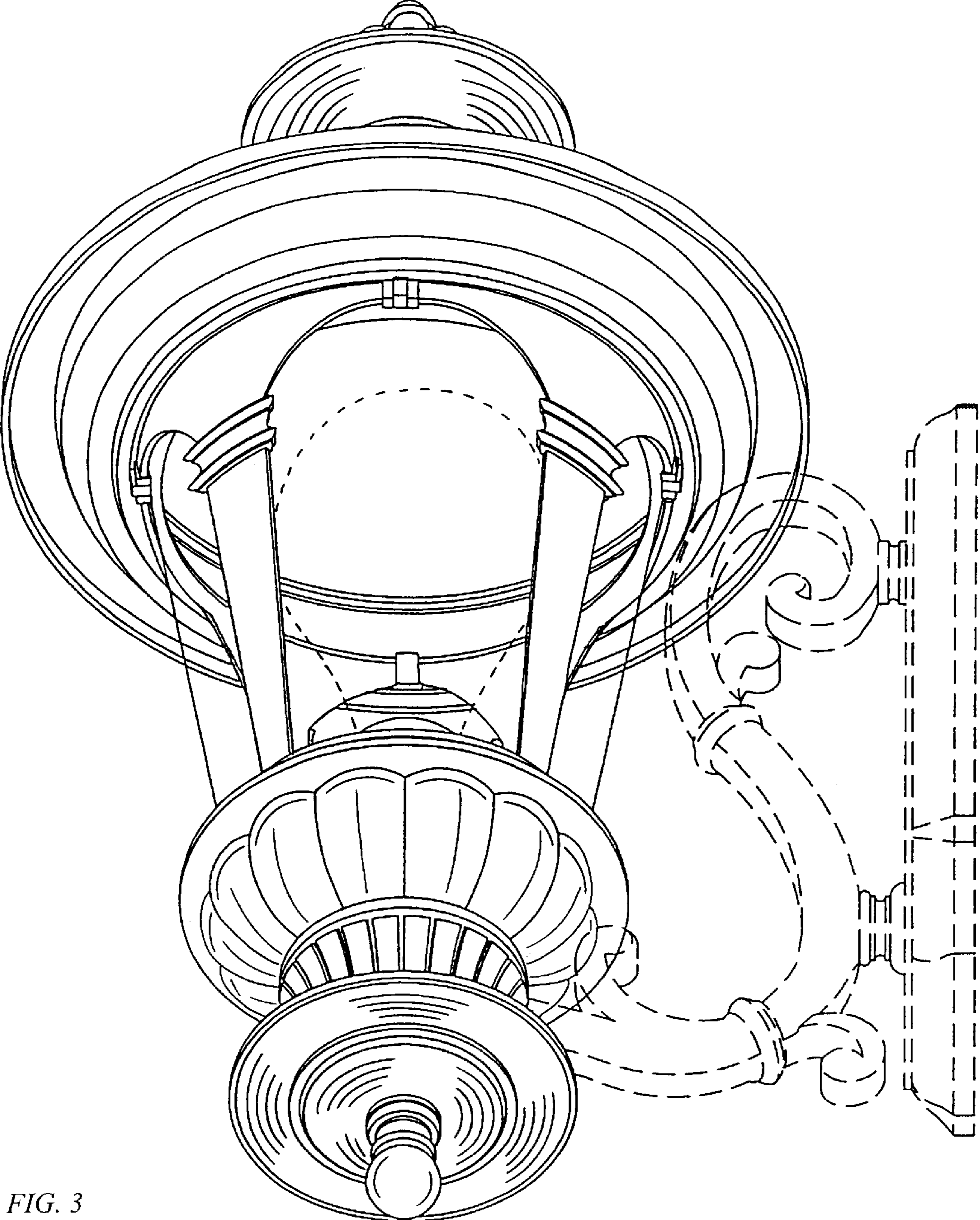


FIG. 3

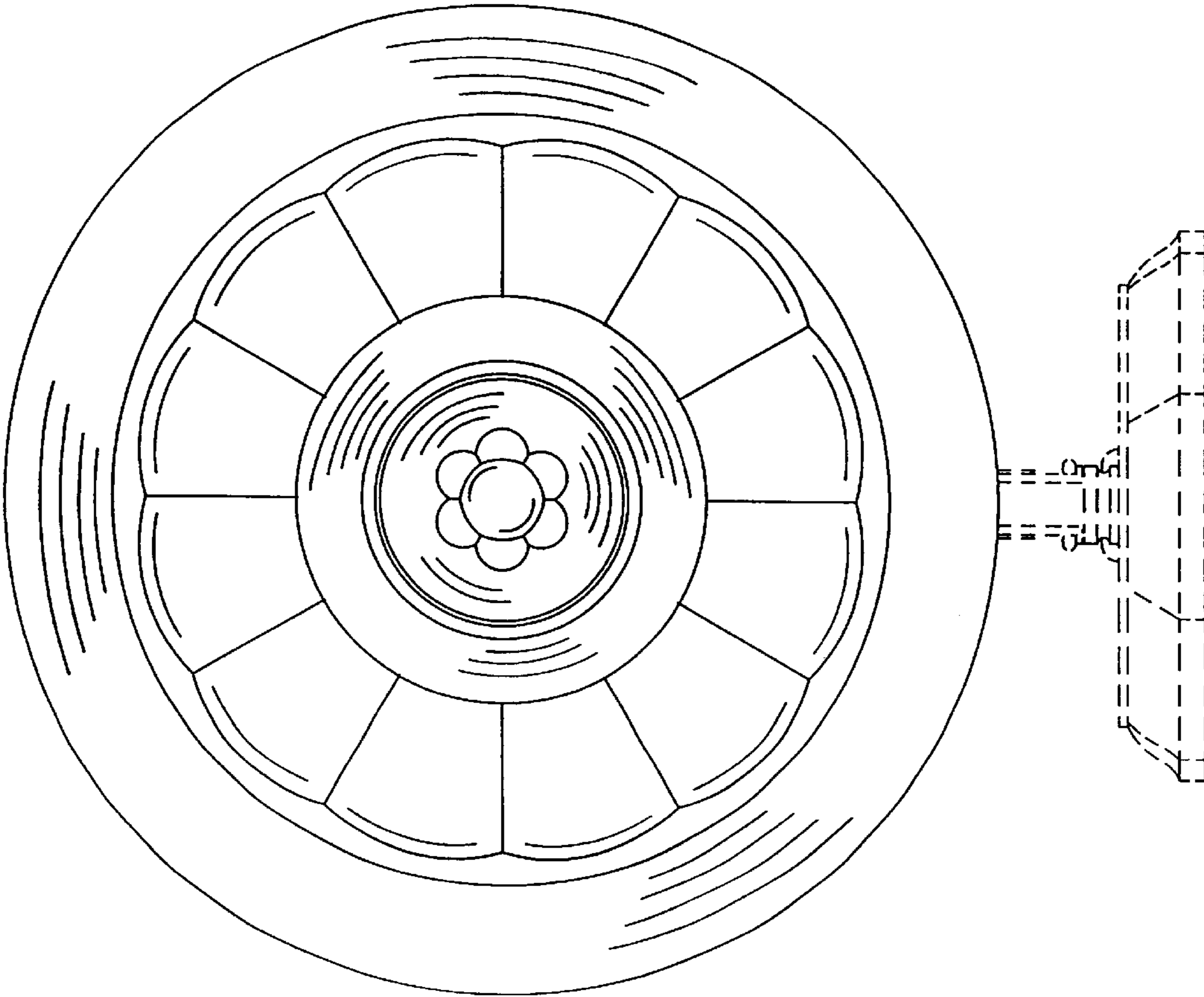


FIG. 4

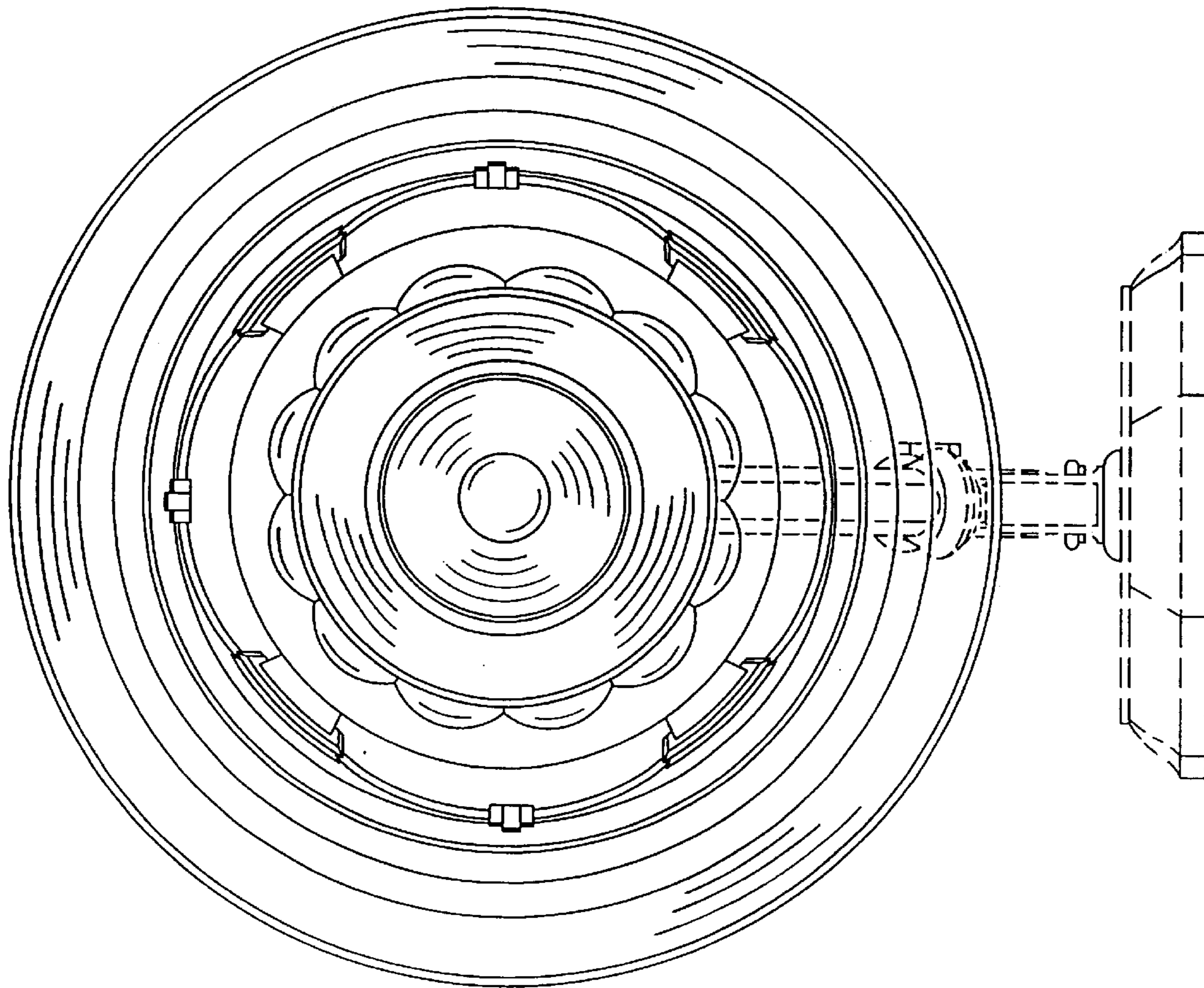


FIG. 5

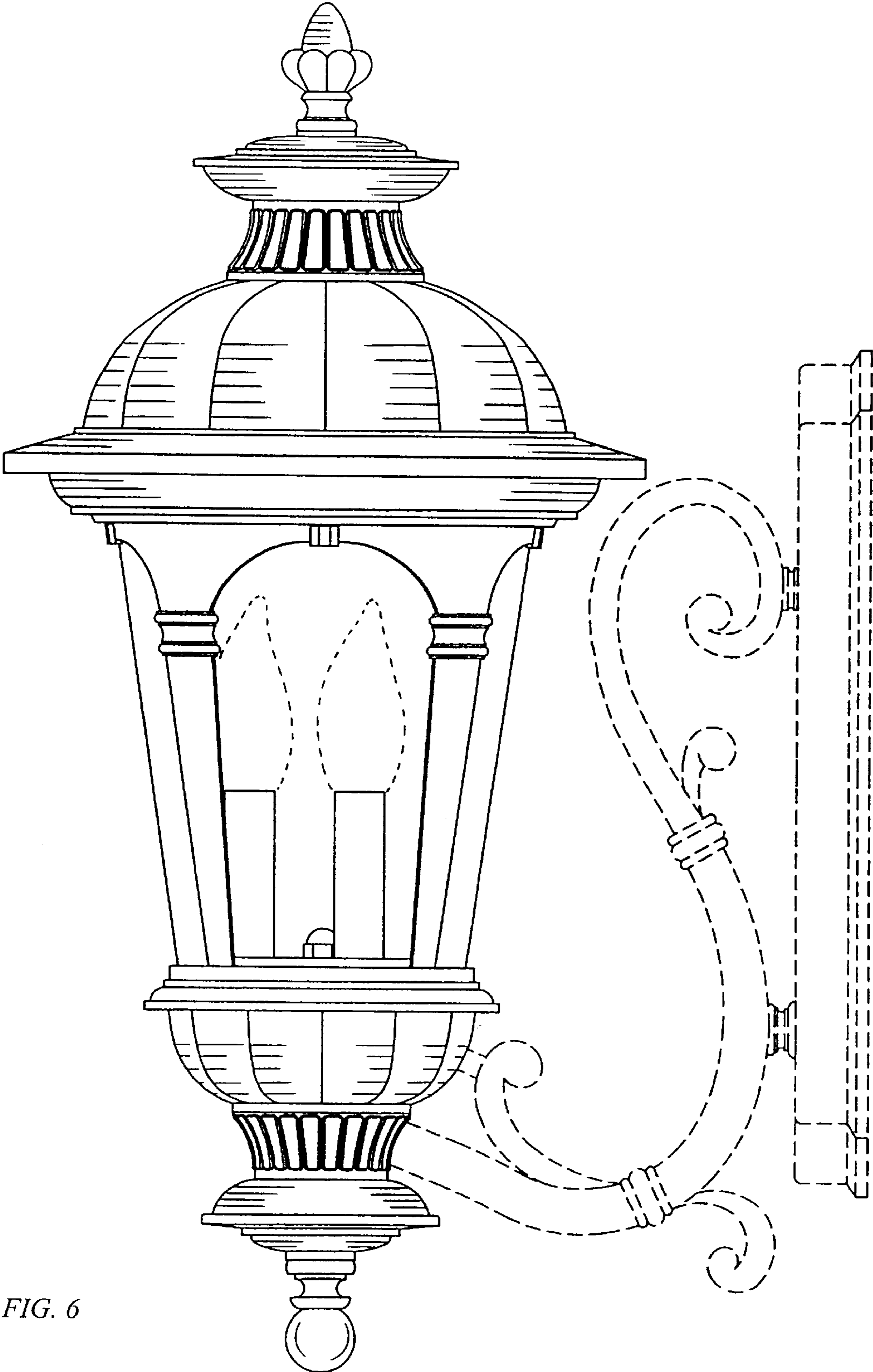


FIG. 6

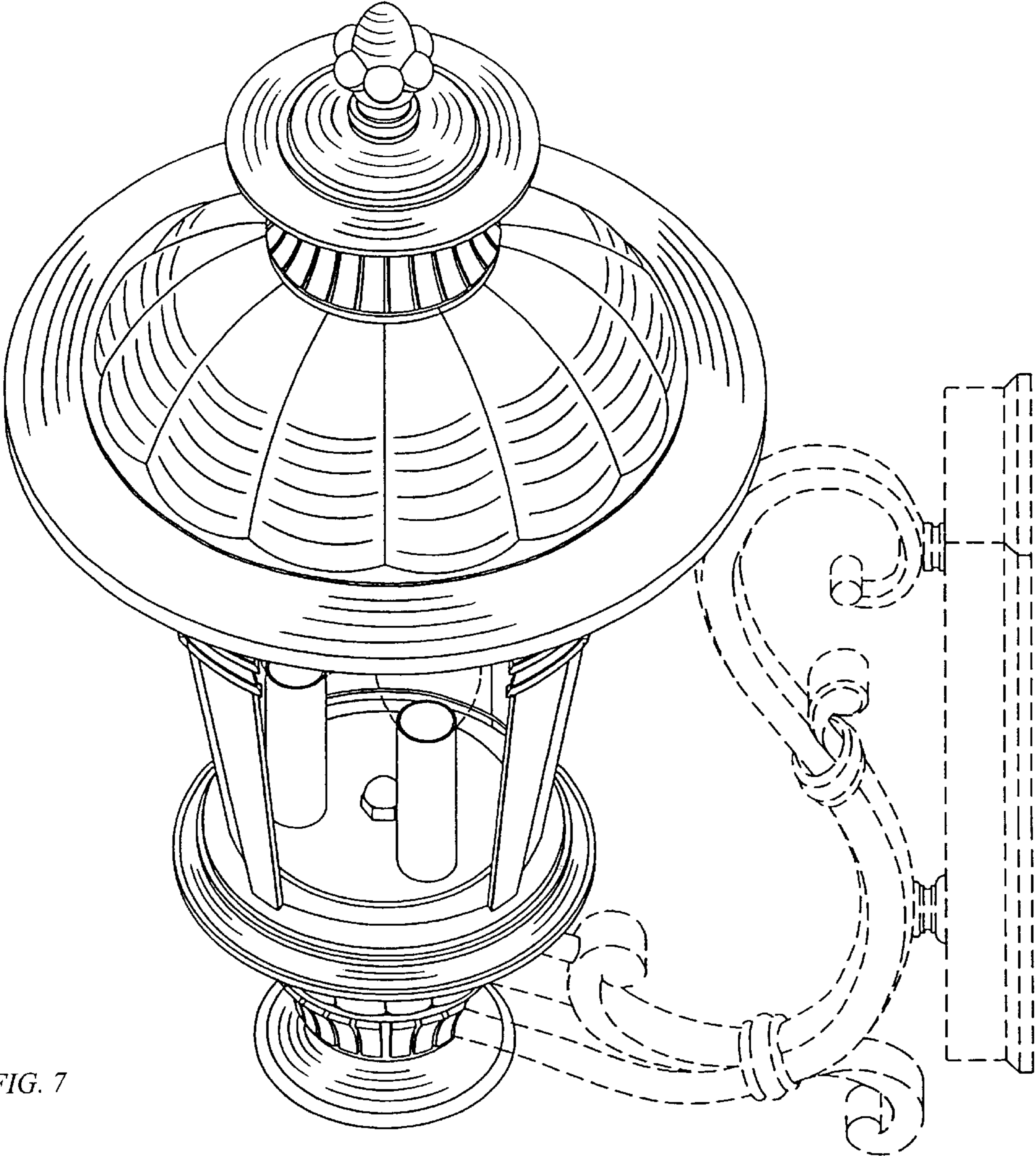


FIG. 7

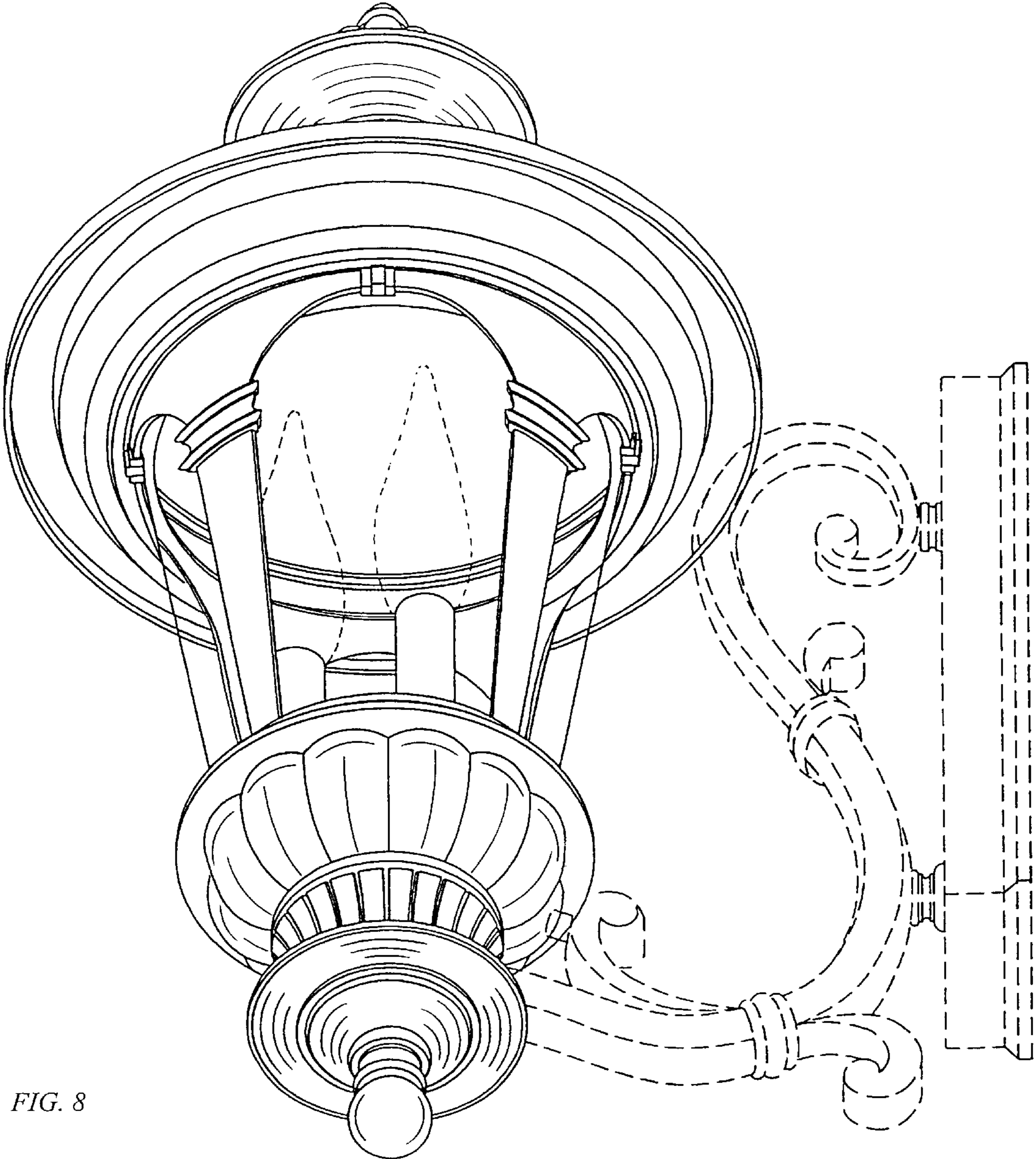


FIG. 8

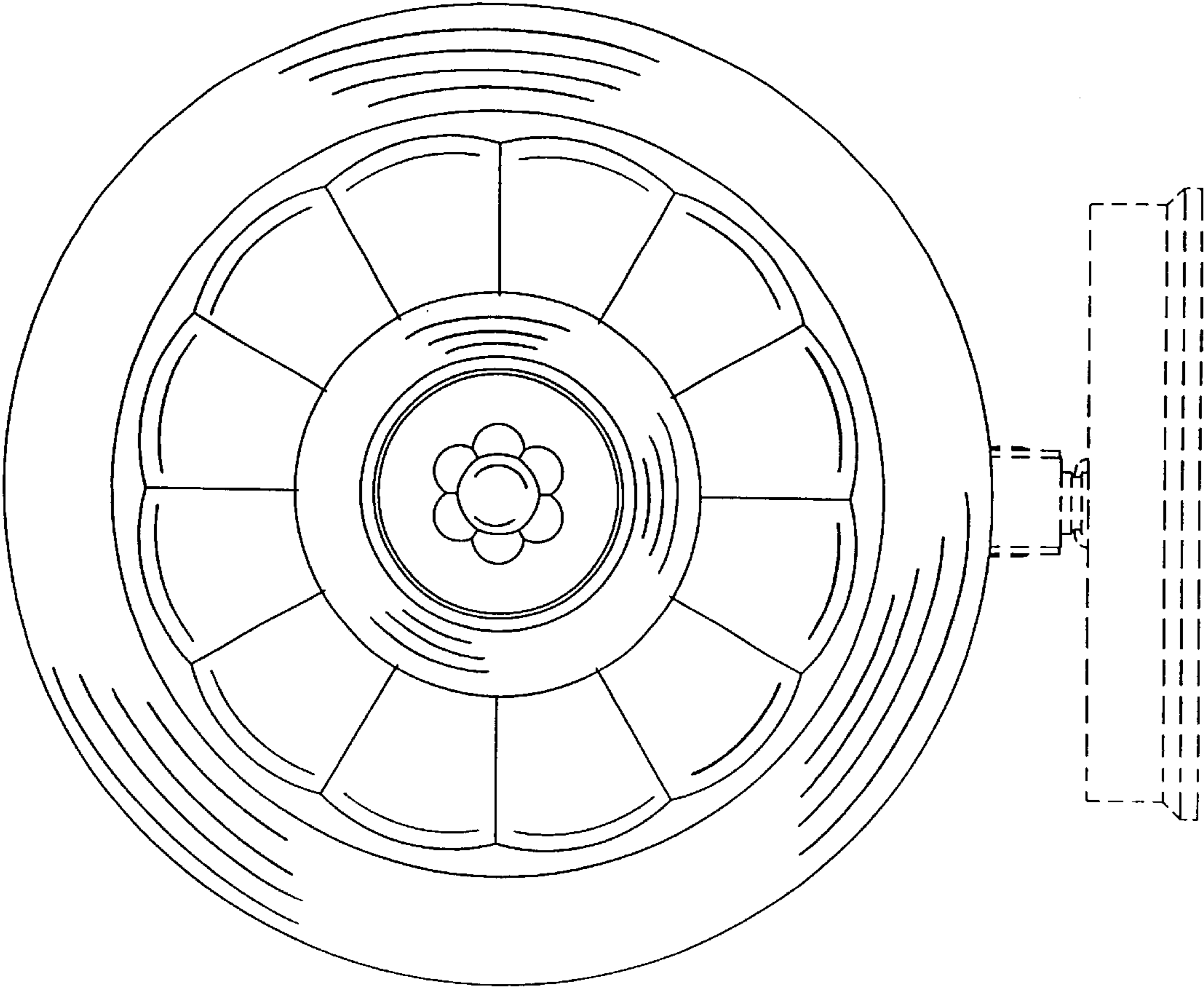


FIG. 9

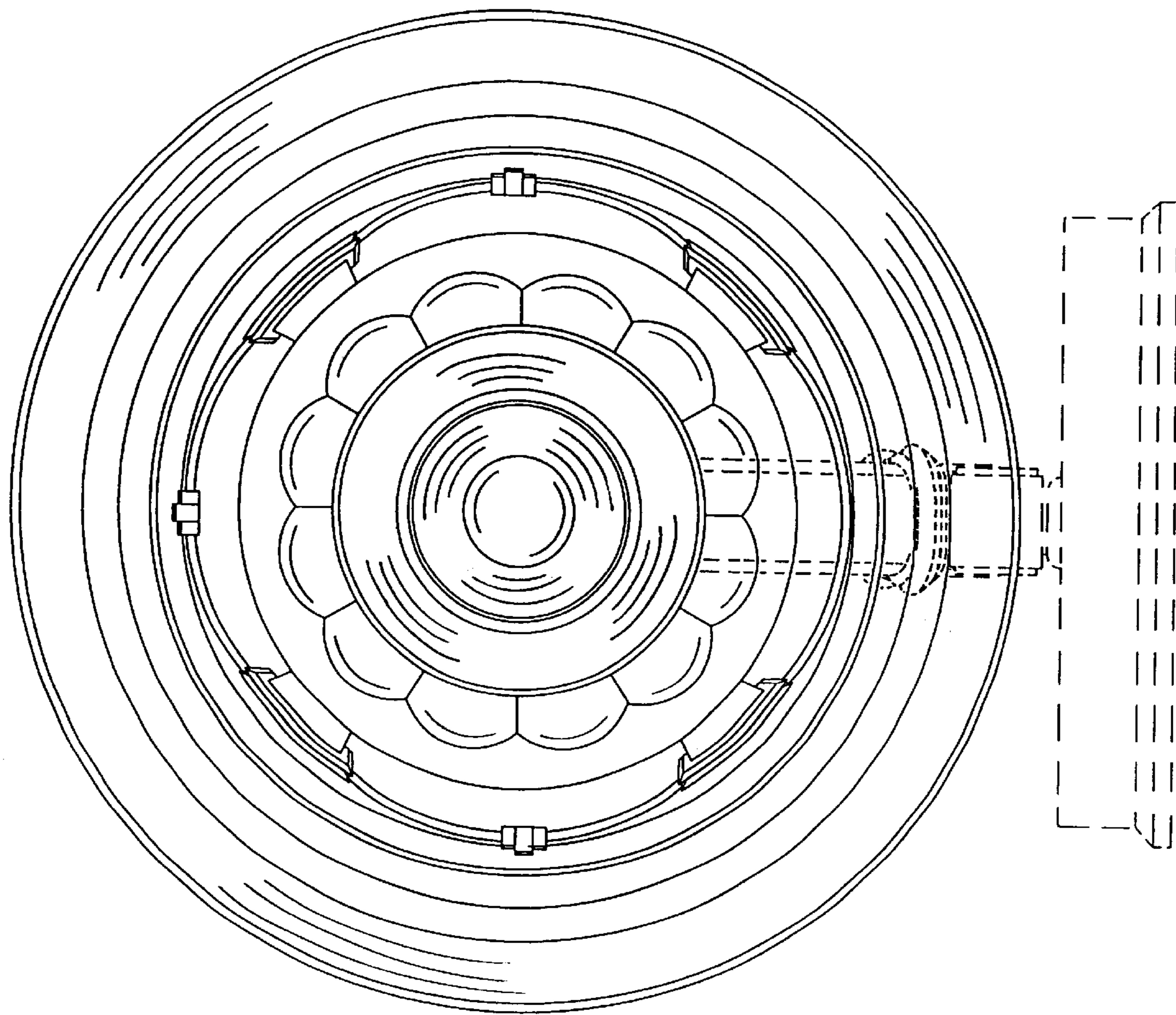


FIG. 10

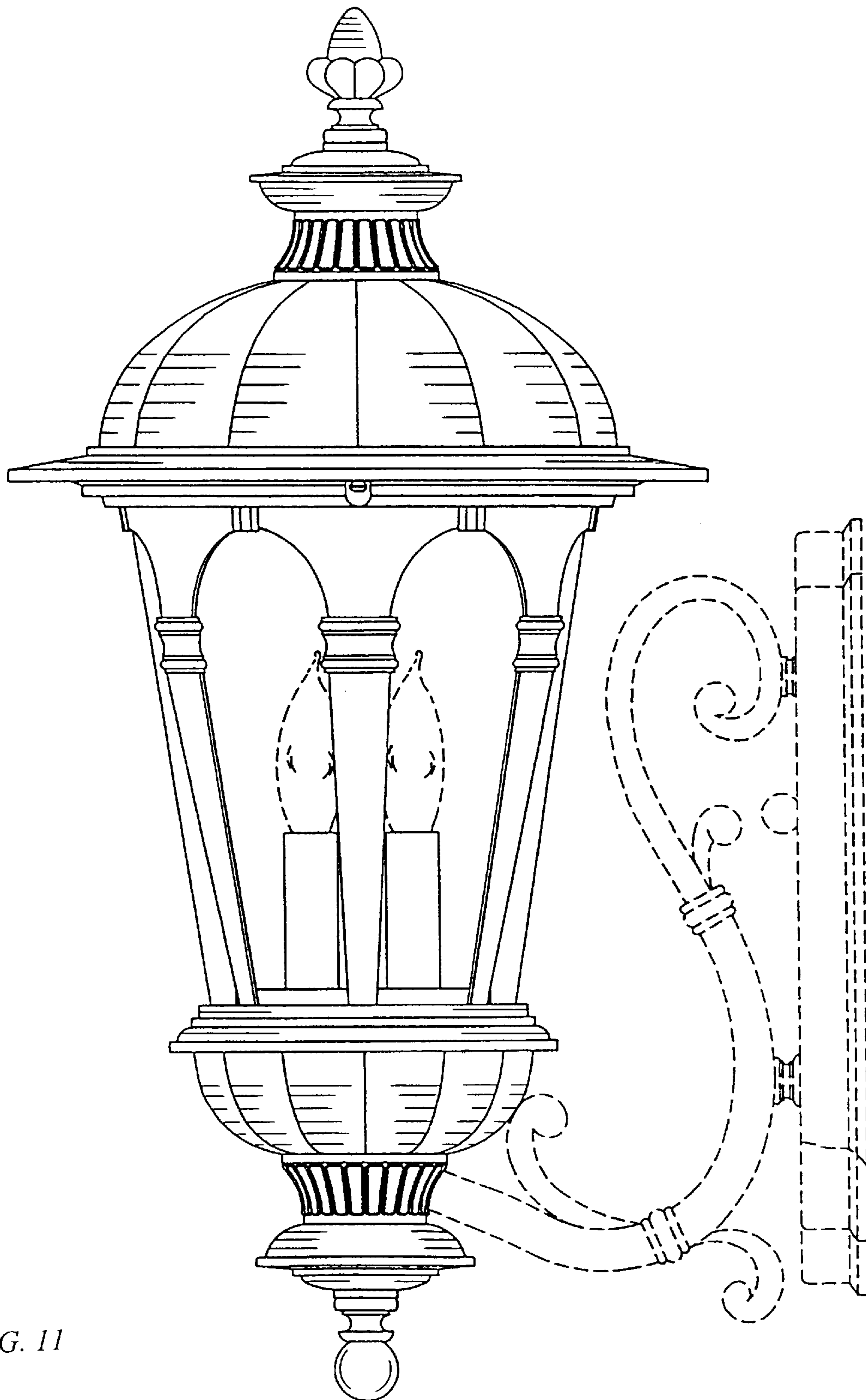


FIG. 11

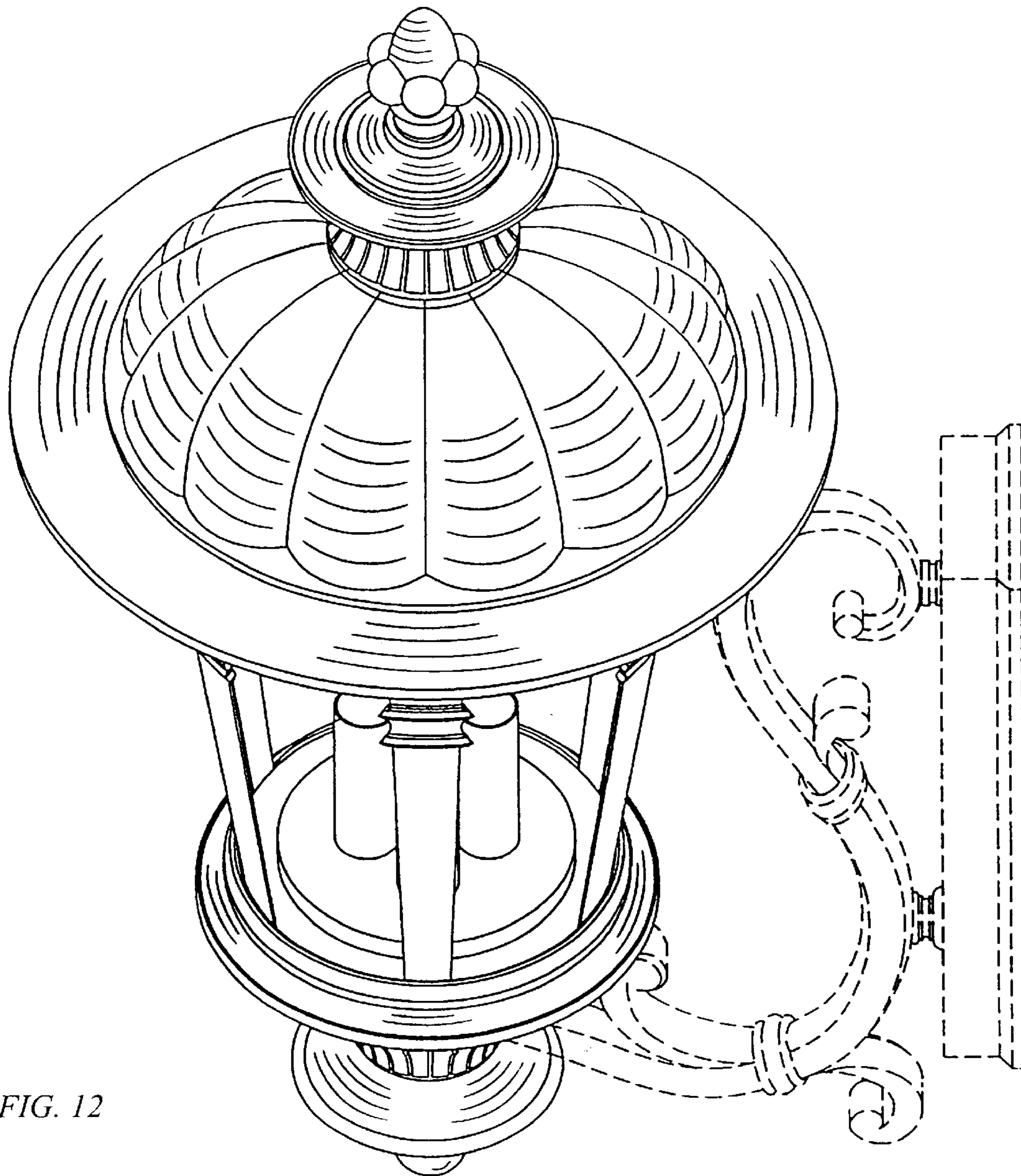


FIG. 12

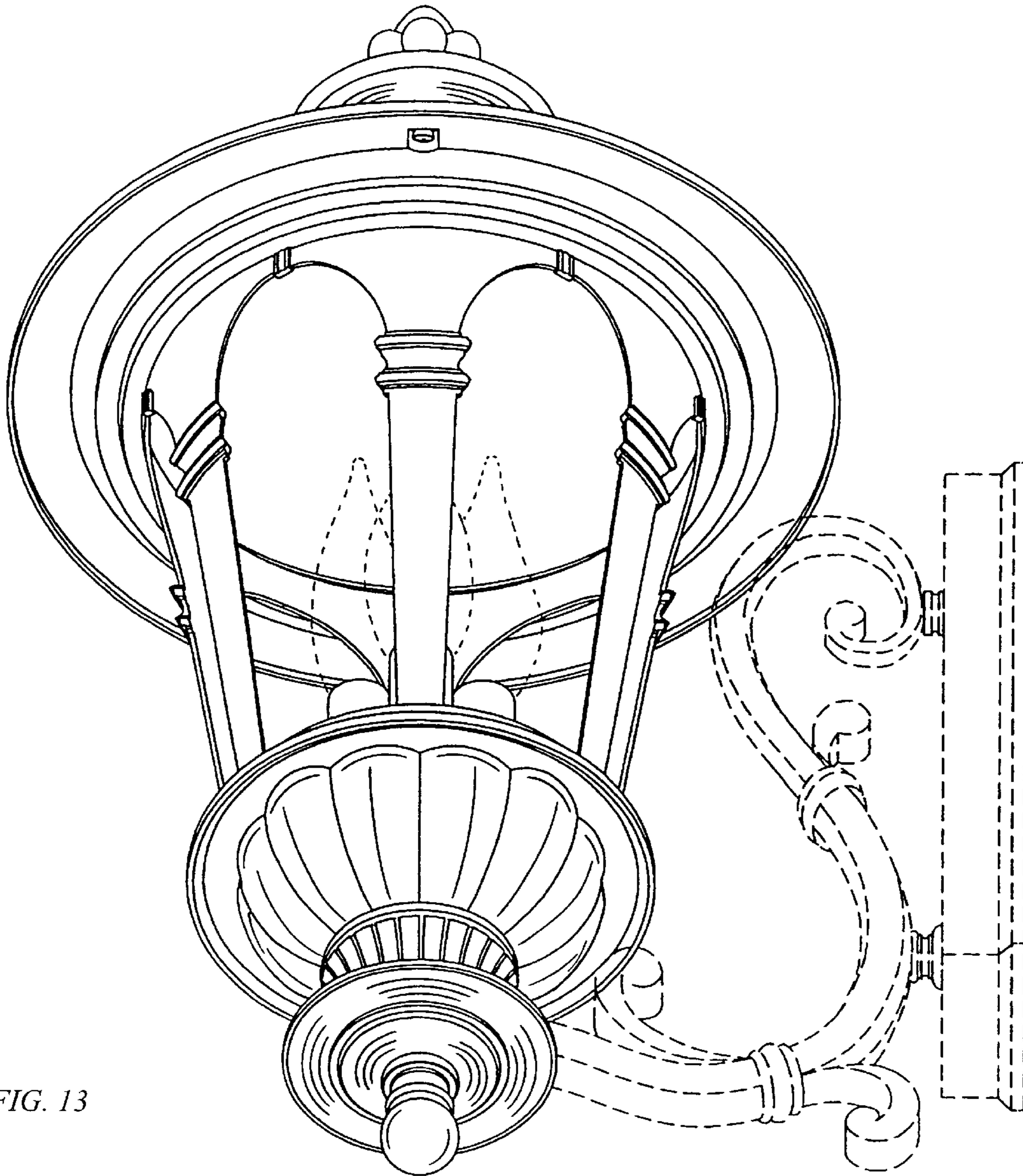


FIG. 13

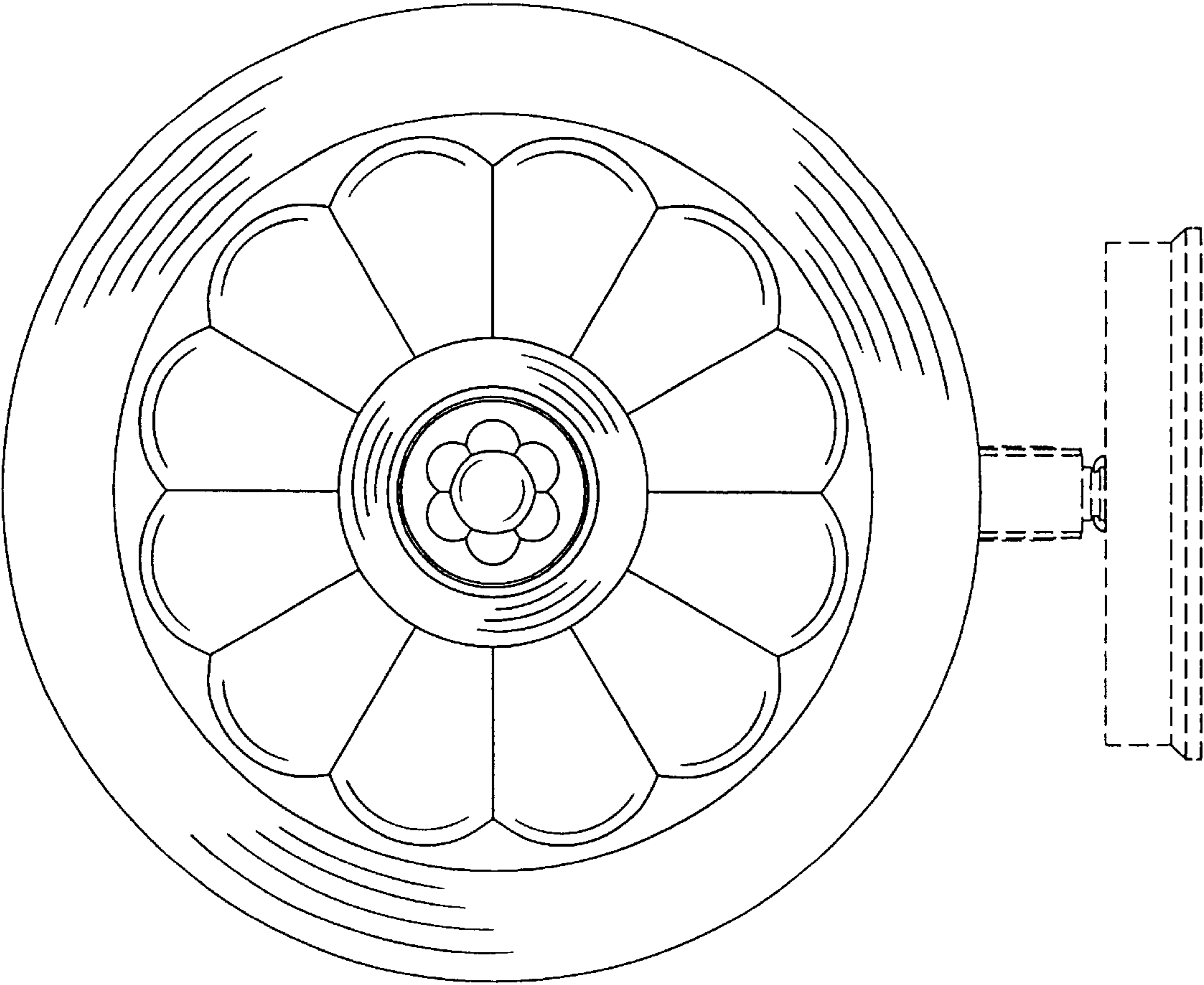


FIG. 14

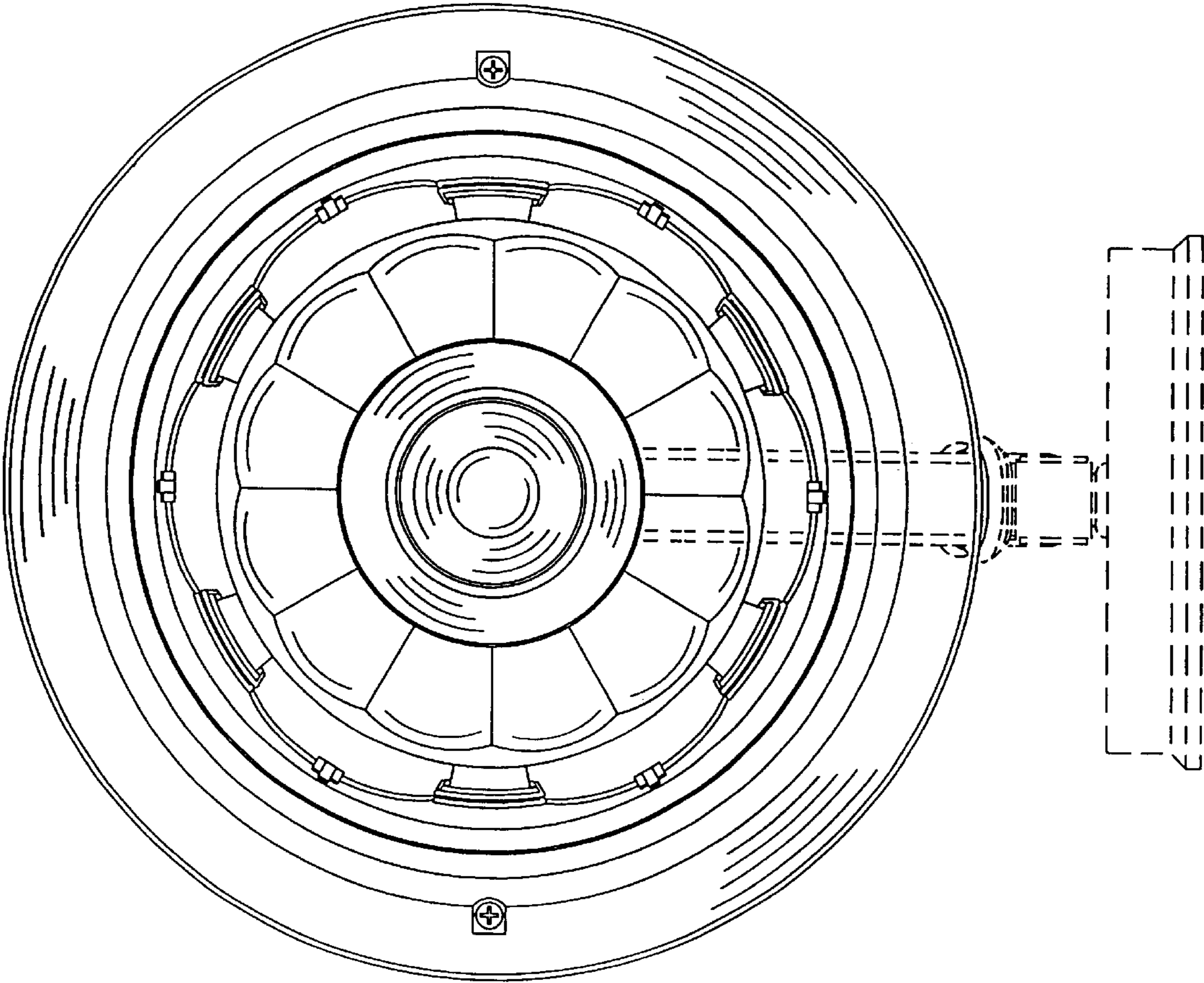


FIG. 15

UNITED STATES PATENT AND TRADEMARK OFFICE
CERTIFICATE OF CORRECTION

PATENT NO. : Des. 500,571 S
DATED : January 4, 2005
INVENTOR(S) : John T. Burke and James Keng

Page 1 of 1

It is certified that error appears in the above-identified patent and that said Letters Patent is hereby corrected as shown below:

Title Page,
Item [57], **CLAIM**, delete "ornamental design for" and insert -- new ornamental design of --.

Signed and Sealed this

Third Day of May, 2005

A handwritten signature in black ink on a dotted background. The signature reads "Jon W. Dudas" in a cursive style.

JON W. DUDAS

Director of the United States Patent and Trademark Office