

US00D500570S

(12) **United States Design Patent**
Tsai

(10) **Patent No.:** **US D500,570 S**
(45) **Date of Patent:** **** Jan. 4, 2005**

(54) **SOLAR LIGHT**

(76) **Inventor:** **Sam Tsai**, 4F, No. 14, Lane 281, Sec. 2,
Hsi Yuan Road, Taipei (TW)

(**) **Term:** **14 Years**

(21) **Appl. No.:** **29/194,583**

(22) **Filed:** **Nov. 25, 2003**

(51) **LOC (7) Cl.** **26-03**

(52) **U.S. Cl.** **D26/87; D26/92**

(58) **Field of Search** D26/67-72, 87,
D26/92, 118; 362/152, 153, 153.1, 159,
183, 266, 363, 431, 432, 147, 404-408

(56) **References Cited**

U.S. PATENT DOCUMENTS

D73,631 S	*	10/1927	Wolter	D26/67
3,521,048 A	*	7/1970	Fowler	362/431
D254,875 S	*	4/1980	Stekelberg	D26/67
D439,693 S	*	3/2001	Milicia	D26/68

OTHER PUBLICATIONS

“Twigs” Outdoor Candle Lantern, Bellacor Number: 43198.
Found online at bellacor.com on Aug. 24, 2004.*

Progress Path Lights Model:P5255-20. Found online at
lightingshowplace.com on Aug. 24, 2004.*

* cited by examiner

Primary Examiner—Clare E Heflin

(57) **CLAIM**

The ornamental design for solar light, as shown and
described.

DESCRIPTION

FIG. 1 is a perspective view of solar light showing my new
design;

FIG. 2 is a front elevational view thereof;

FIG. 3 is a rear elevational view thereof;

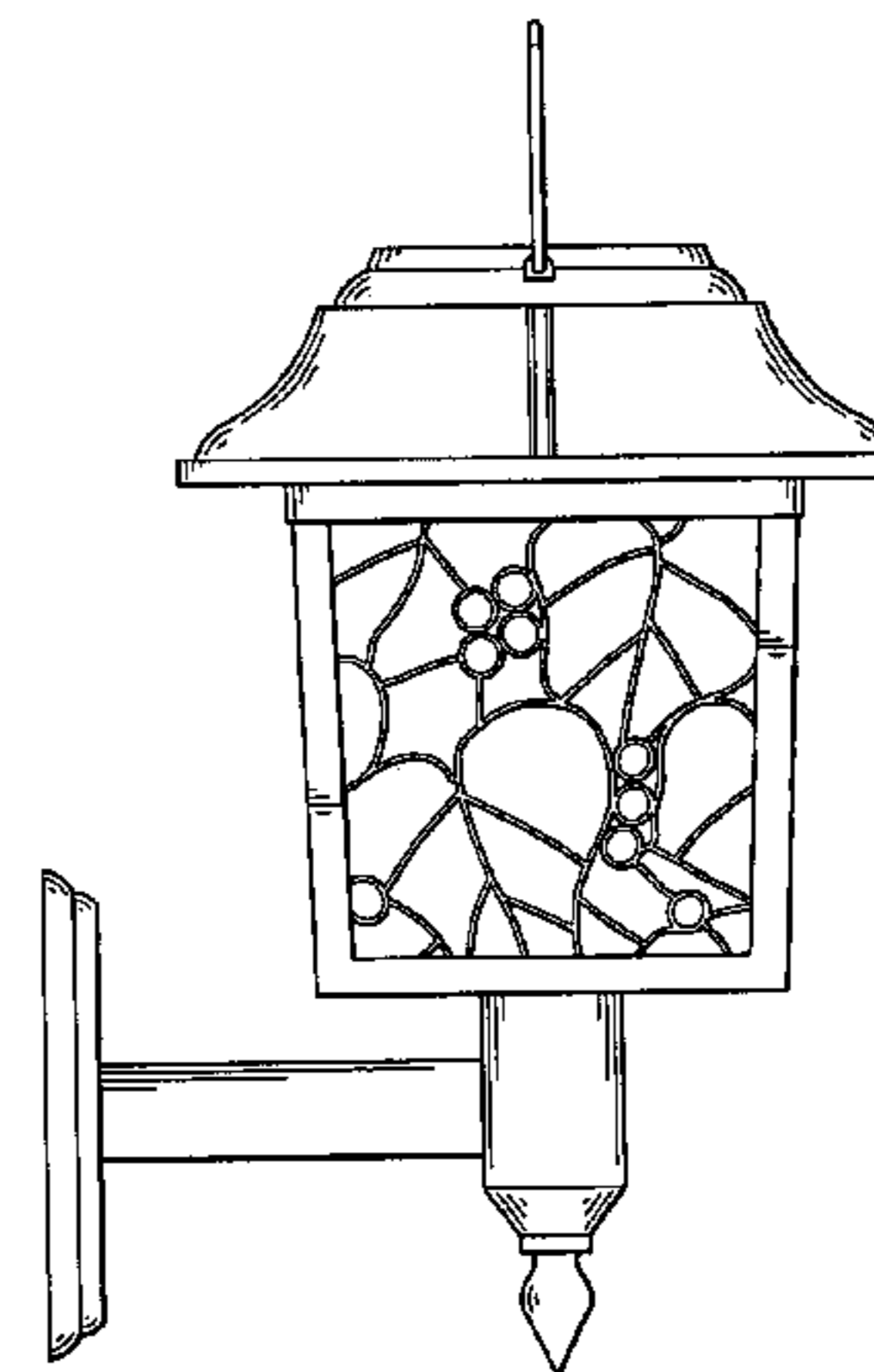
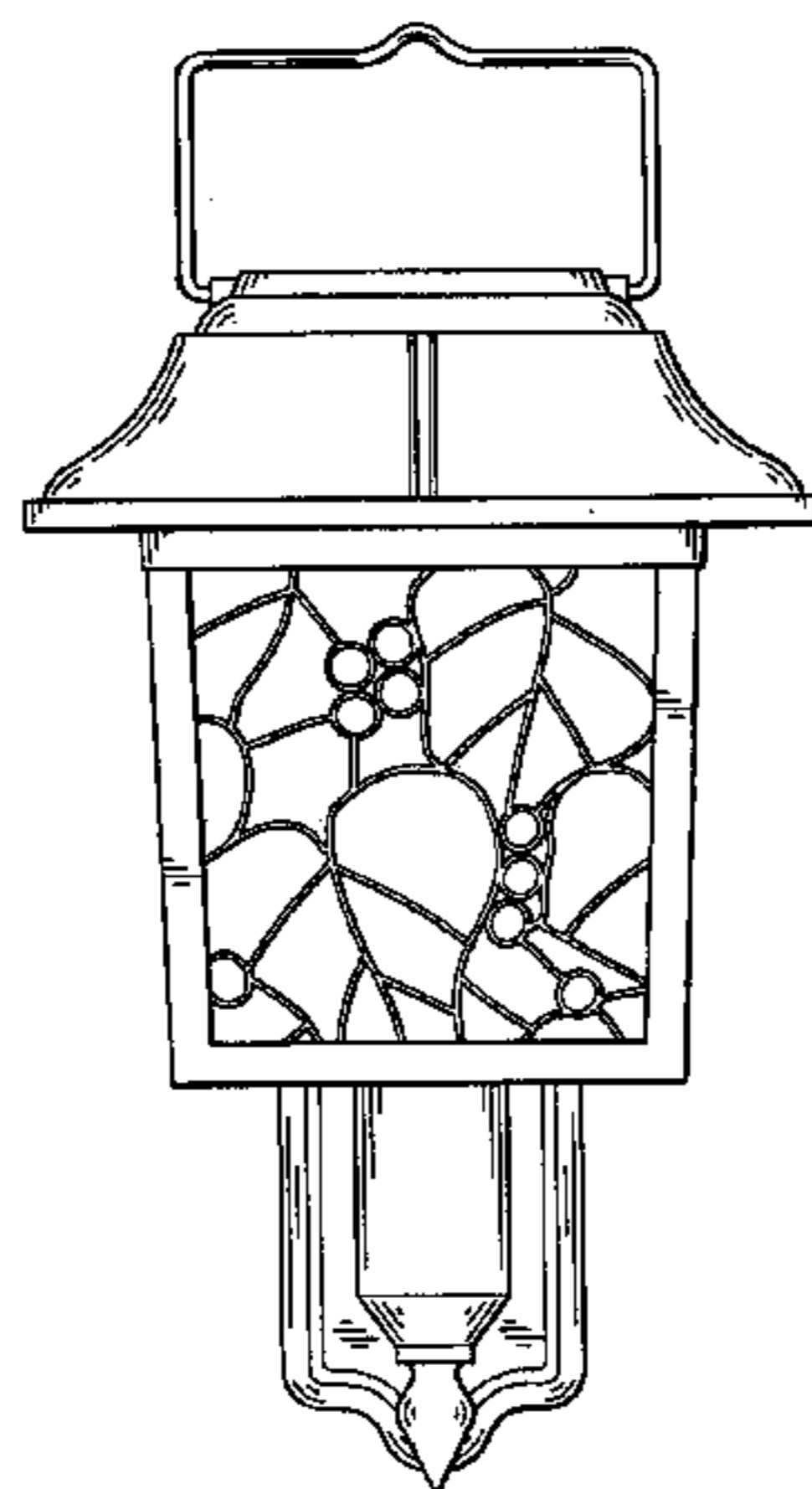
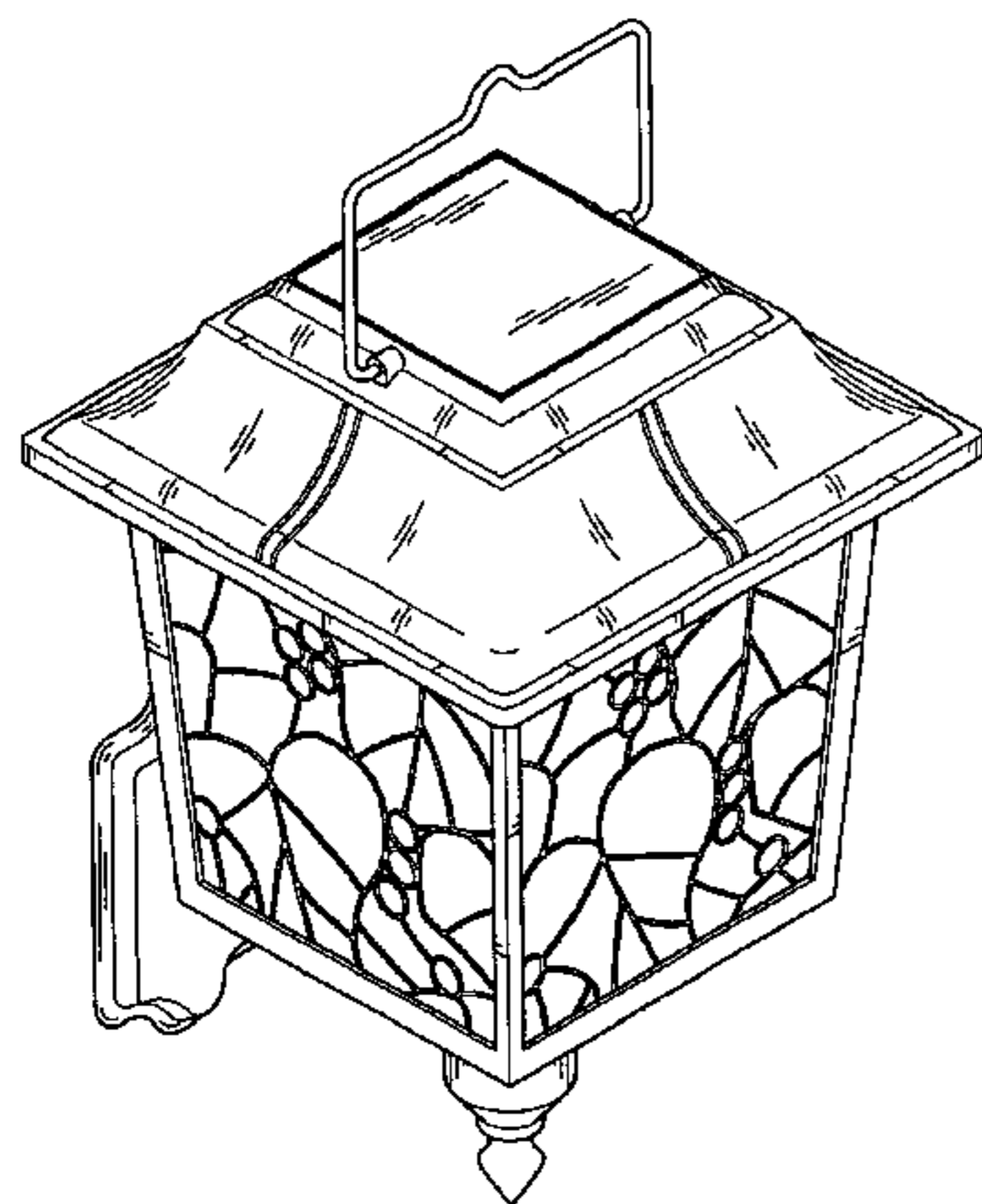
FIG. 4 is a left side elevational view thereof;

FIG. 5 is right side elevational view thereof;

FIG. 6 is a top view thereof; and,

FIG. 7 is a bottom view thereof.

1 Claim, 7 Drawing Sheets



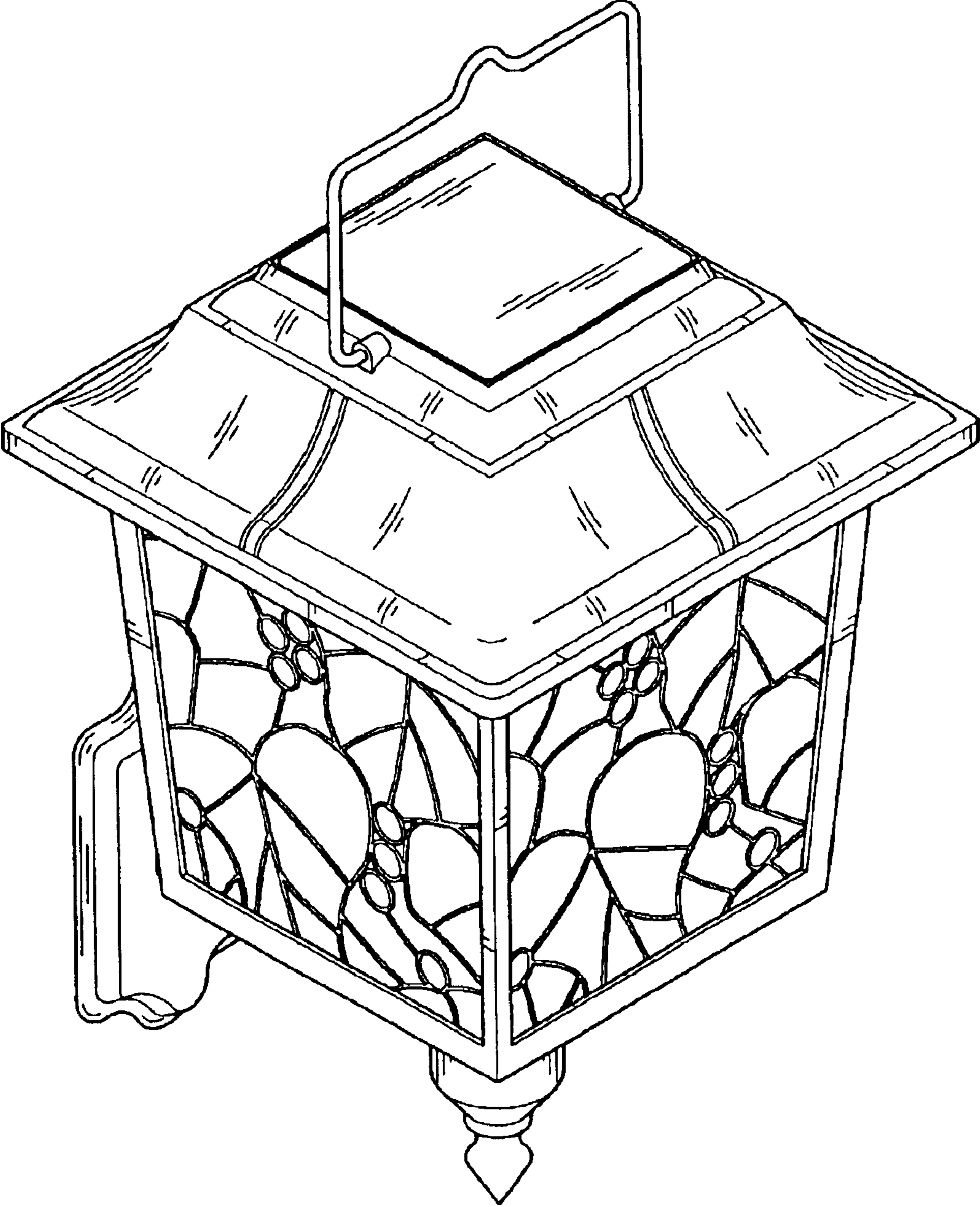


FIG. 1

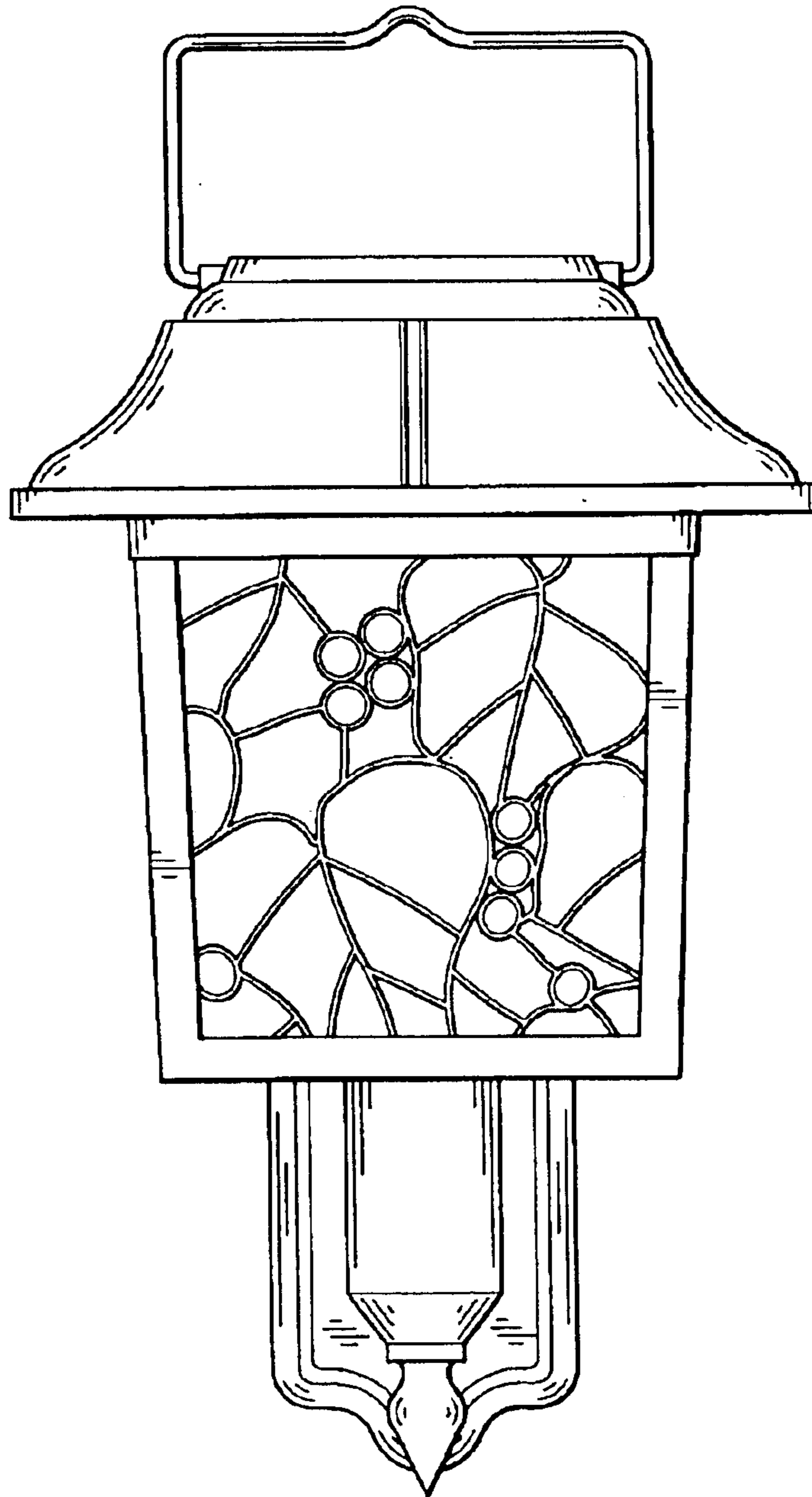


FIG. 2

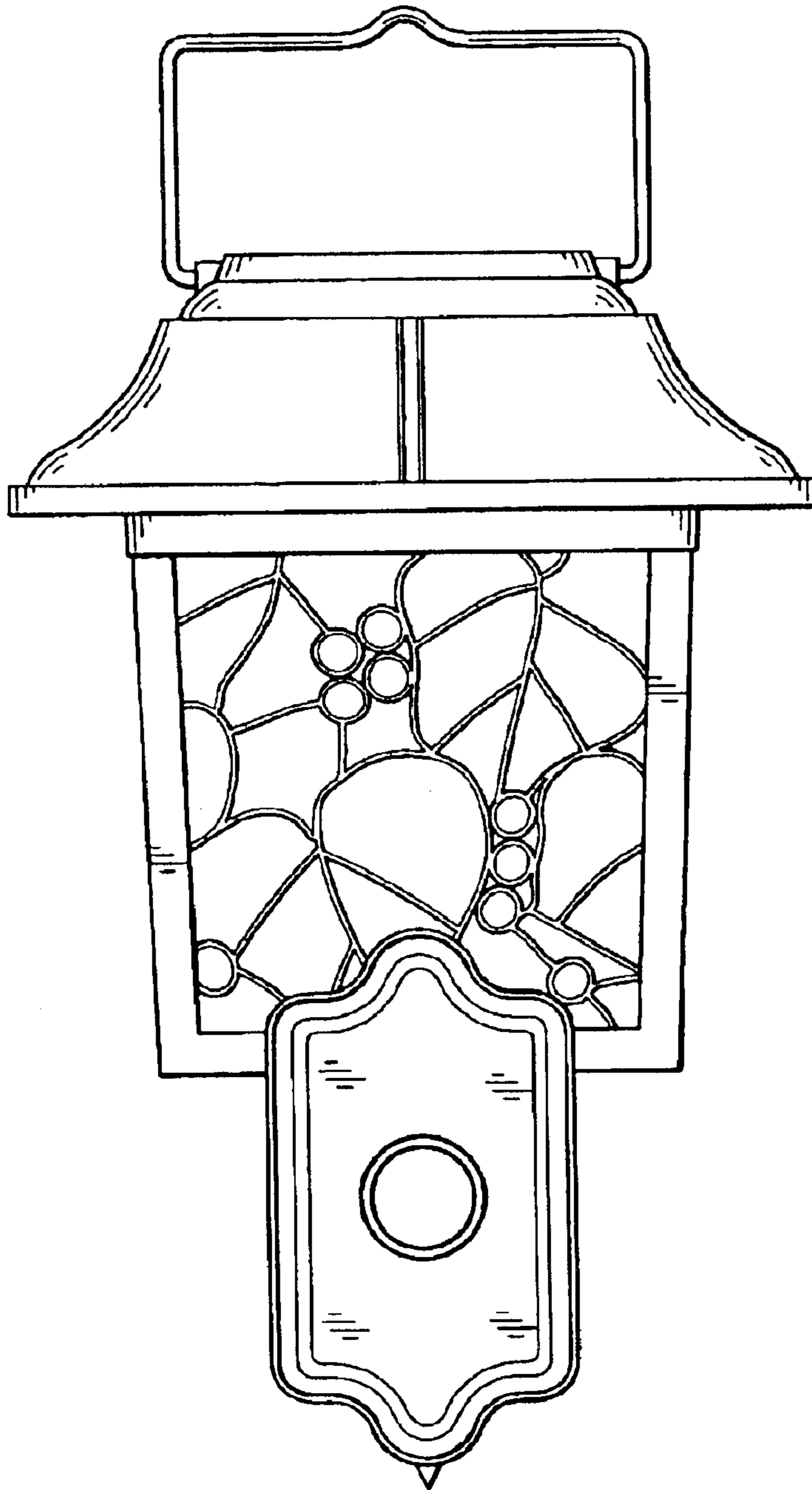


FIG. 3

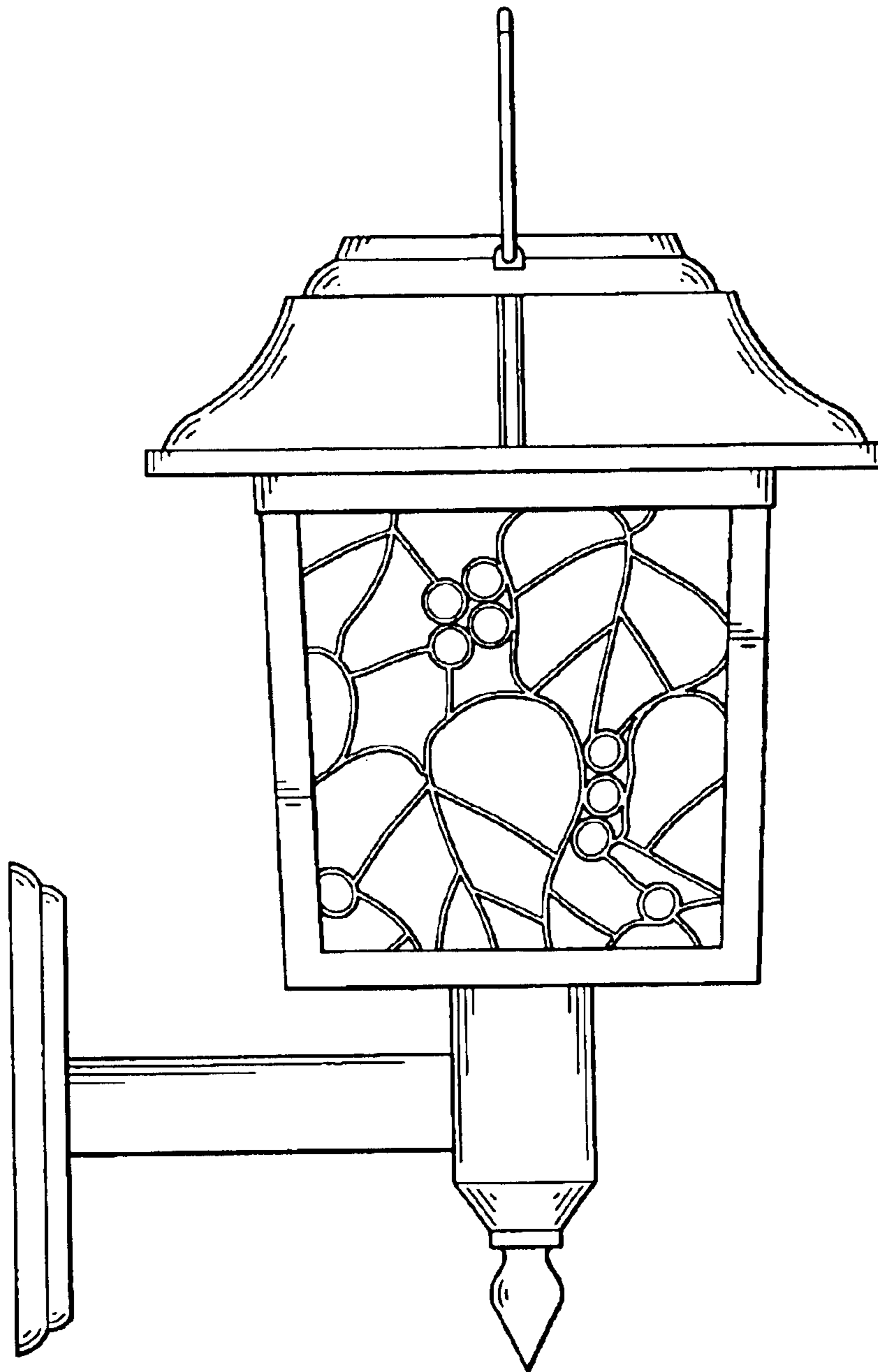


FIG. 4

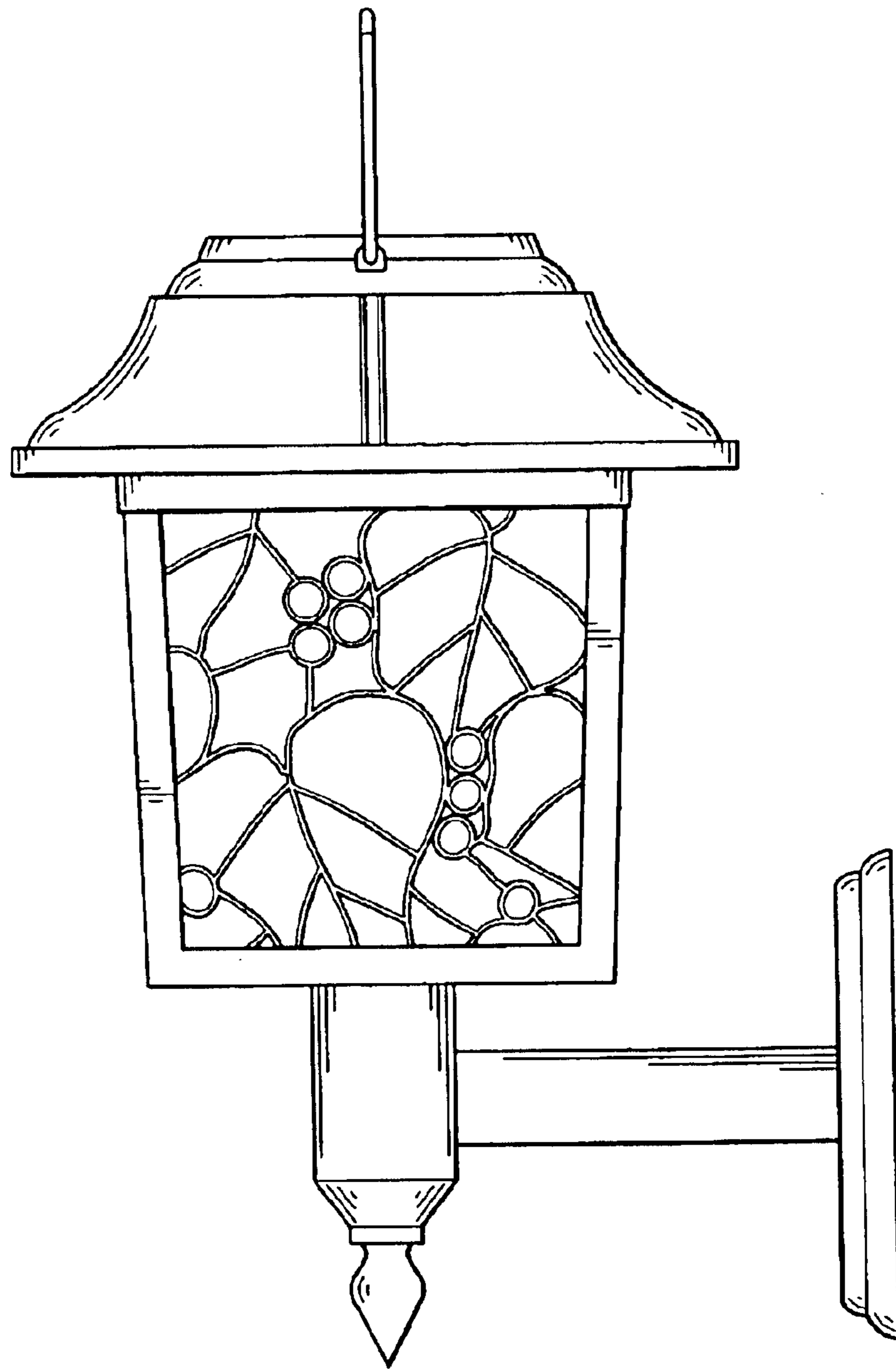


FIG. 5

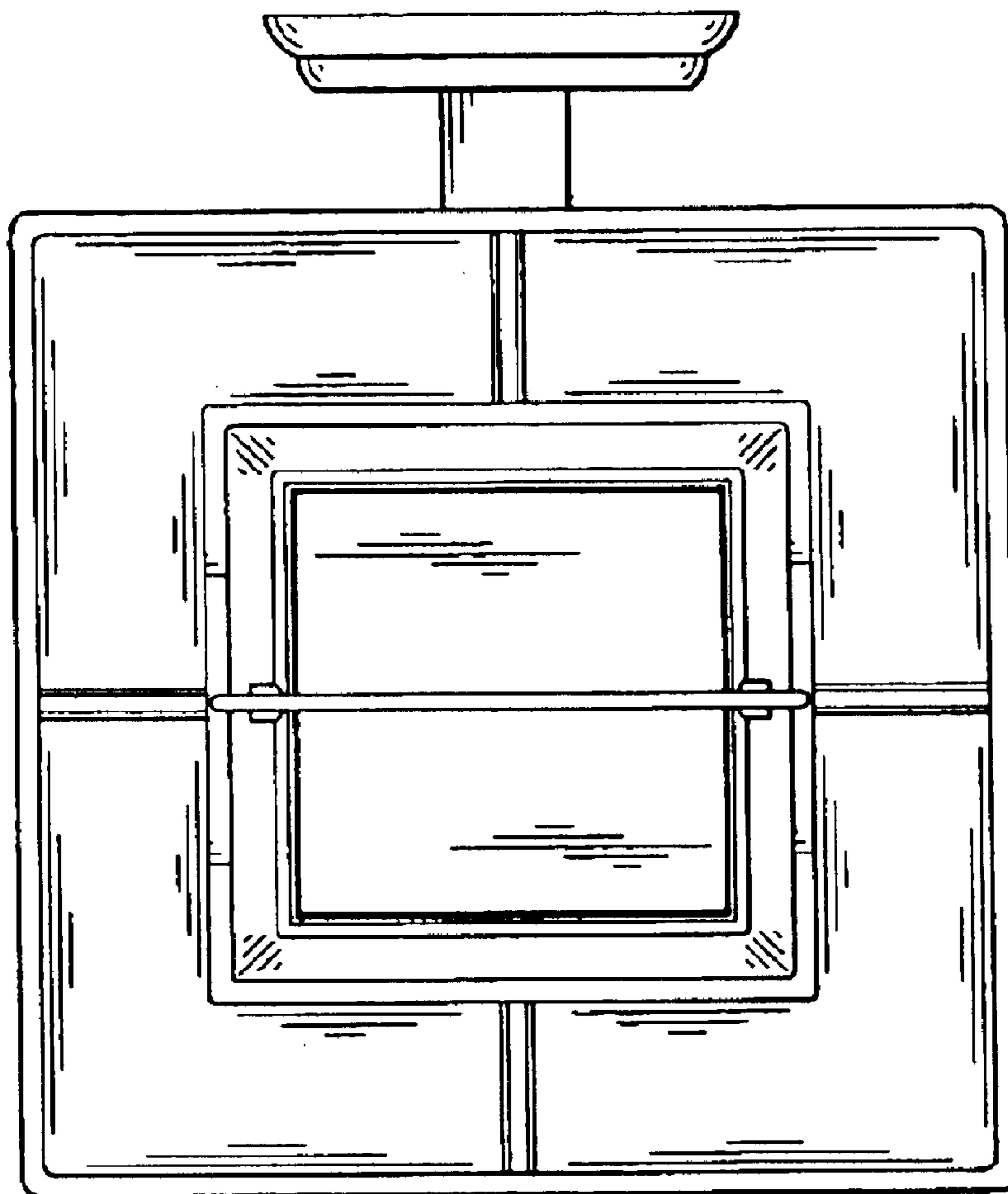


FIG. 6

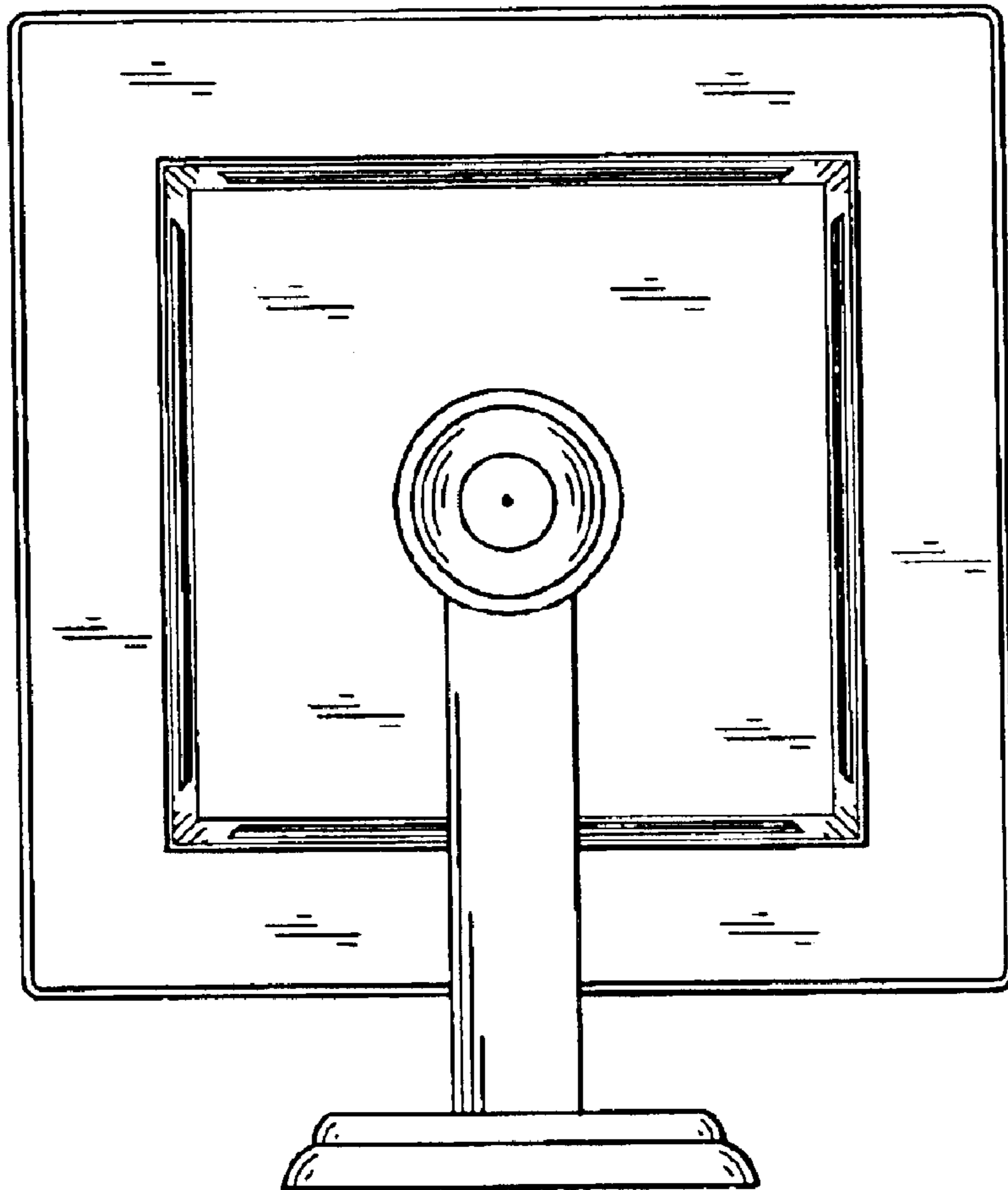


FIG. 7