

US00D500567S

(12) **United States Design Patent**
Henry

(10) **Patent No.:** **US D500,567 S**
(45) **Date of Patent:** **** Jan. 4, 2005**

(54) **FAN LAMP**

(75) Inventor: **Louis F. Henry**, New York, NY (US)

(73) Assignee: **Catalina Lighting Inc.**, Miami, FL (US)

(**) Term: **14 Years**

(21) Appl. No.: **29/199,099**

(22) Filed: **Feb. 10, 2004**

(51) **LOC (7) Cl.** **26-05**

(52) **U.S. Cl.** **D26/59**

(58) **Field of Search** D26/51, 59-66;
362/410-414, 294, 373, 277, 278, 282,
285, 287, 418

(56) **References Cited**

U.S. PATENT DOCUMENTS

2,136,254 A	11/1938	Sargent	
2,258,731 A	10/1941	Blumenthal	
4,200,904 A	4/1980	Doan	
4,974,126 A	11/1990	Hwang	
5,603,562 A	2/1997	Huang	
D389,933 S	* 1/1998	Yeh D26/59

* cited by examiner

Primary Examiner—Alan P. Douglas

Assistant Examiner—Linda Brooks

(74) *Attorney, Agent, or Firm*—Mark Montague; Cowan Liebowitz & Latman, P.C.

(57) **CLAIM**

The ornamental design for a fan lamp, as shown and described.

DESCRIPTION

FIG. 1 is a perspective view of the fan lamp (parts shown in broken lines not considered part of claimed design);

FIG. 2 is a front elevational view of the fan lamp (parts shown in broken lines not considered part of claimed design);

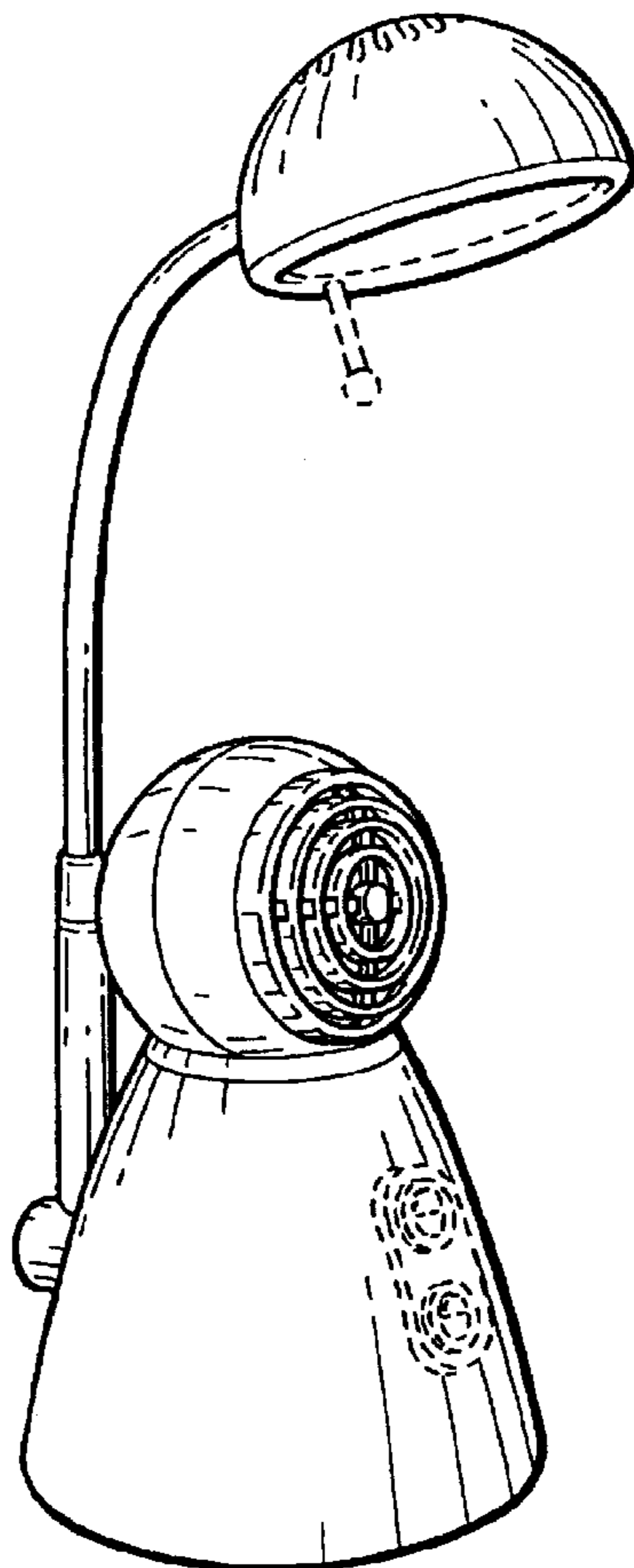
FIG. 3 is a rear elevational view of the fan lamp (parts shown in broken lines not considered part of claimed design);

FIG. 4 is a side elevational view of the fan lamp (parts shown in broken lines not considered part of claimed design);

FIG. 5 is a top plan view of the fan lamp (parts shown in broken lines not considered part of claimed design); and,

FIG. 6 is a bottom plan view of the fan lamp.

1 Claim, 3 Drawing Sheets



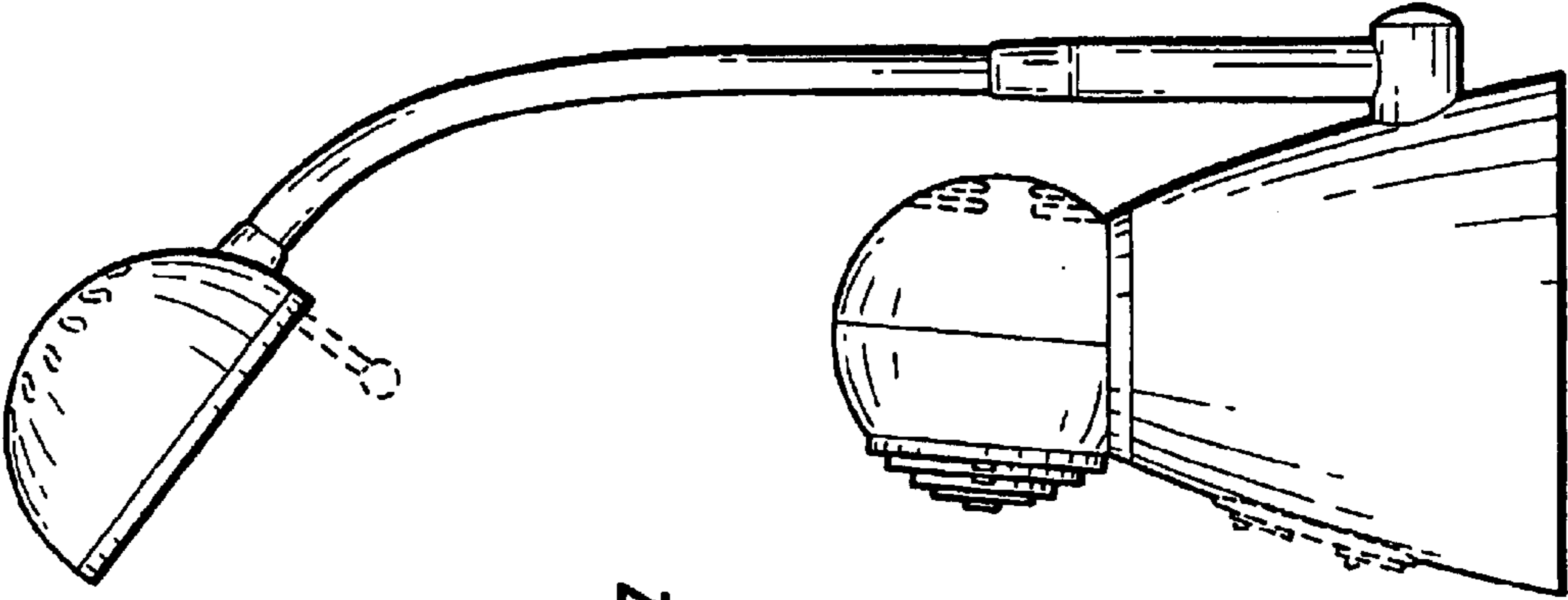


FIG. 4

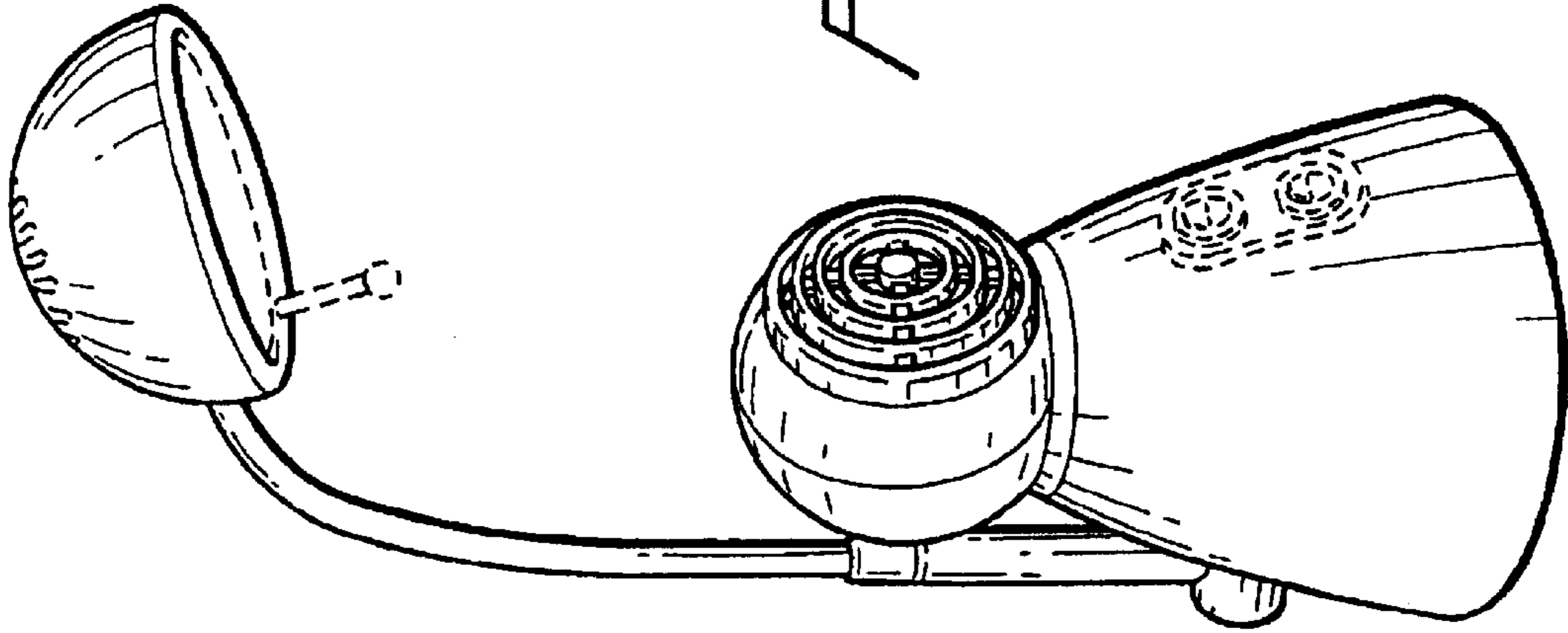


FIG. 1

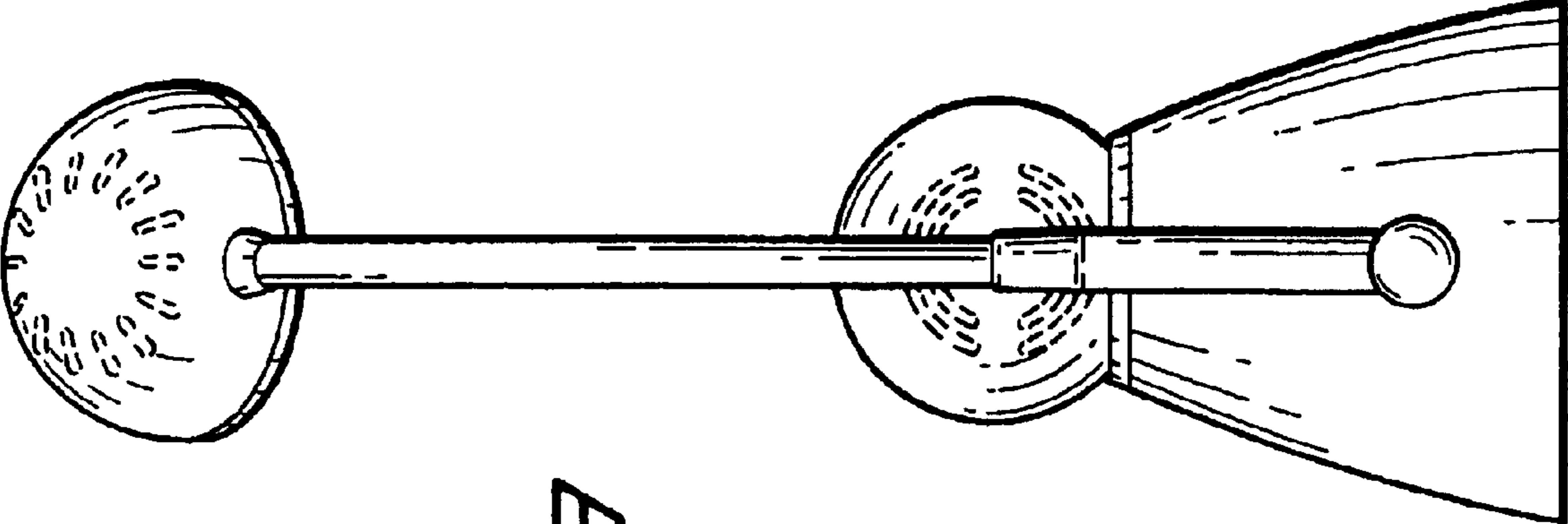


FIG. 3

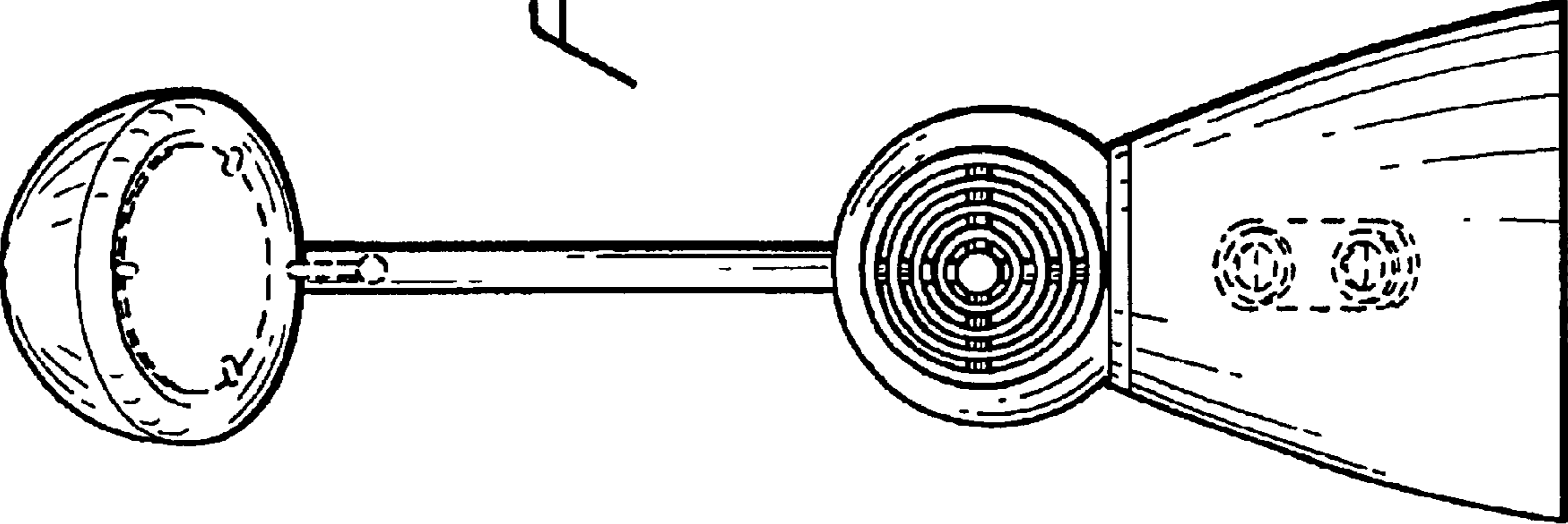


FIG. 2

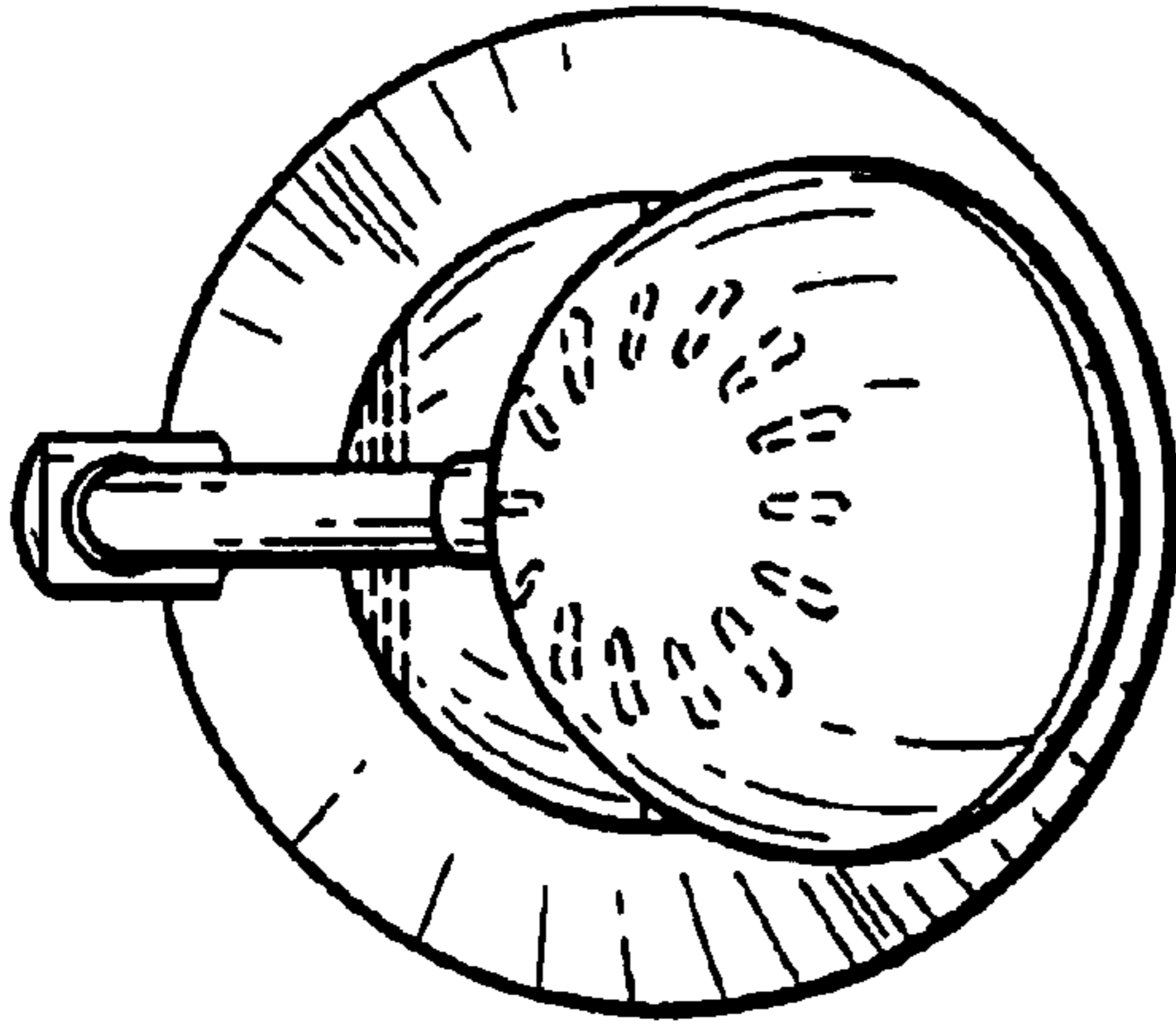


FIG. 5

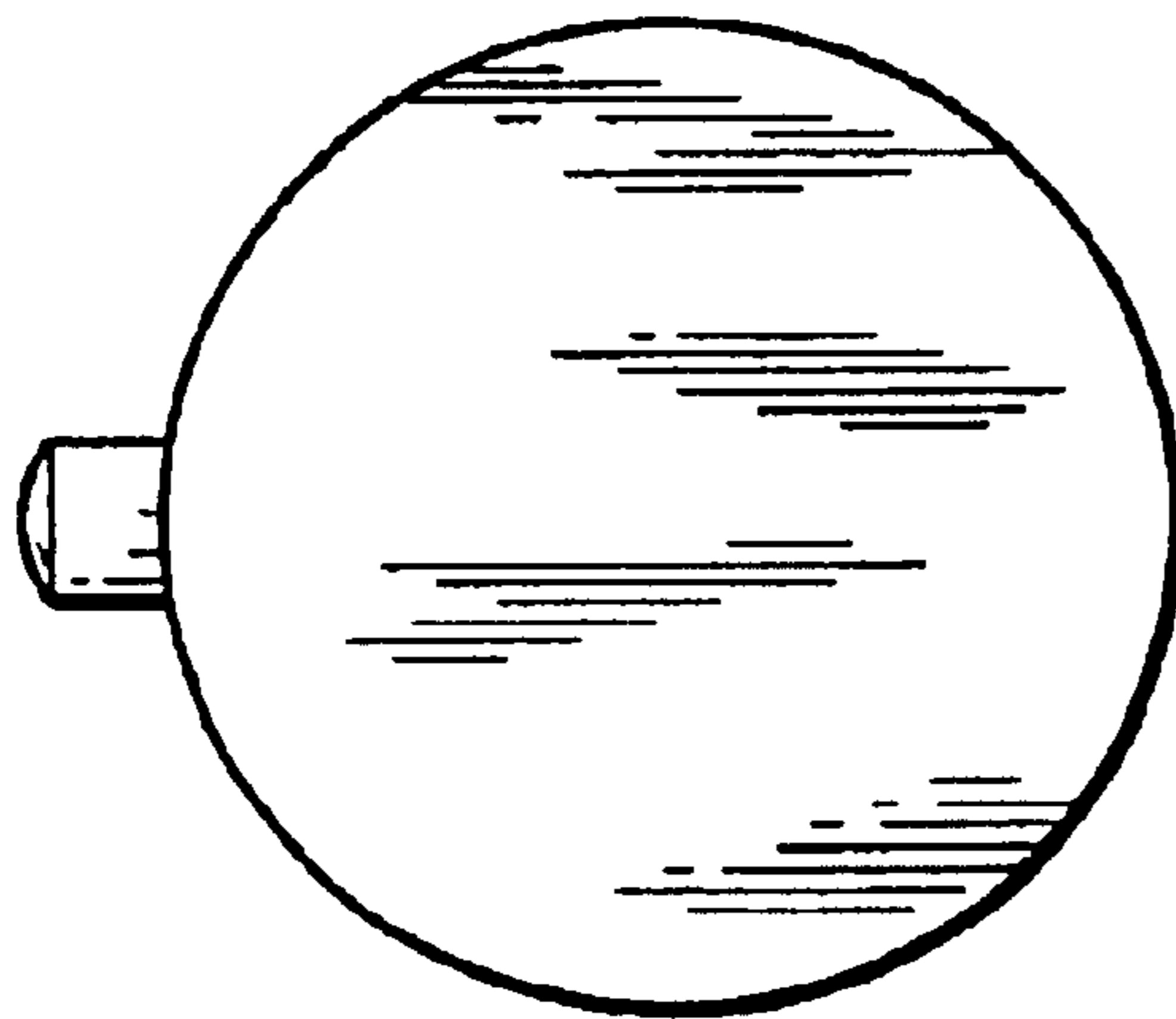


FIG. 6