

US00D500566S

(12) **United States Design Patent**
Hu

(10) **Patent No.:** **US D500,566 S**
(45) **Date of Patent:** **** Jan. 4, 2005**

(54) **PORTIONS OF A FLASHLIGHT**

(75) Inventor: **Xiang Liang Hu**, Ningbo (CN)

(73) Assignee: **Waisun Corporation**, Bellflower, CA (US)

(**) Term: **14 Years**

(21) Appl. No.: **29/202,045**

(22) Filed: **Mar. 24, 2004**

(51) **LOC (7) Cl.** **26-02**

(52) **U.S. Cl.** **D26/37**

(58) **Field of Search** D26/37-50; 362/157, 362/158, 171-174, 183-208

(56) **References Cited**

U.S. PATENT DOCUMENTS

D491,679 S * 6/2004 Lau D26/37

D495,442 S * 8/2004 Packard D26/37

* cited by examiner

Primary Examiner—Marcus A. Jackson

(74) *Attorney, Agent, or Firm*—Sheldon & Mak; Danton K. Mak

(57) **CLAIM**

The ornamental design for portions of a flashlight, as shown and described.

DESCRIPTION

FIG. 1 is a perspective view of the portions of a flashlight of the invention;

FIG. 2 is another perspective view of the portions of a flashlight shown in FIG. 1;

FIG. 3 is a front view of the flashlight of FIG. 1;

FIG. 4 is a side view of the flashlight of FIG. 1; and,

FIG. 5 is a rear view of the flashlight of FIG. 1.

The broken lines shown for the remainder of the flashlight are for illustrative purposes only, and form no part of the claimed design.

1 Claim, 1 Drawing Sheet

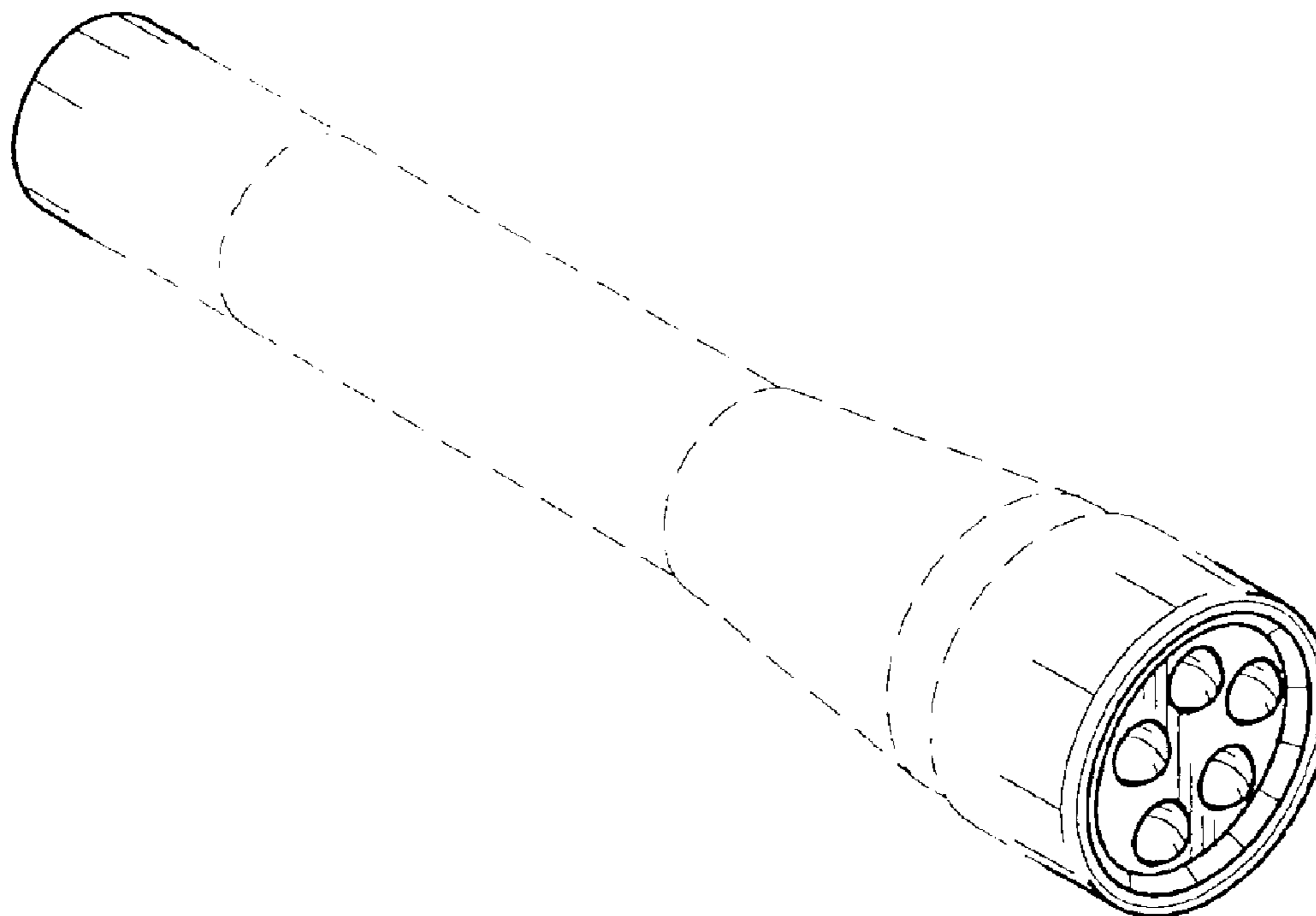


FIG.1

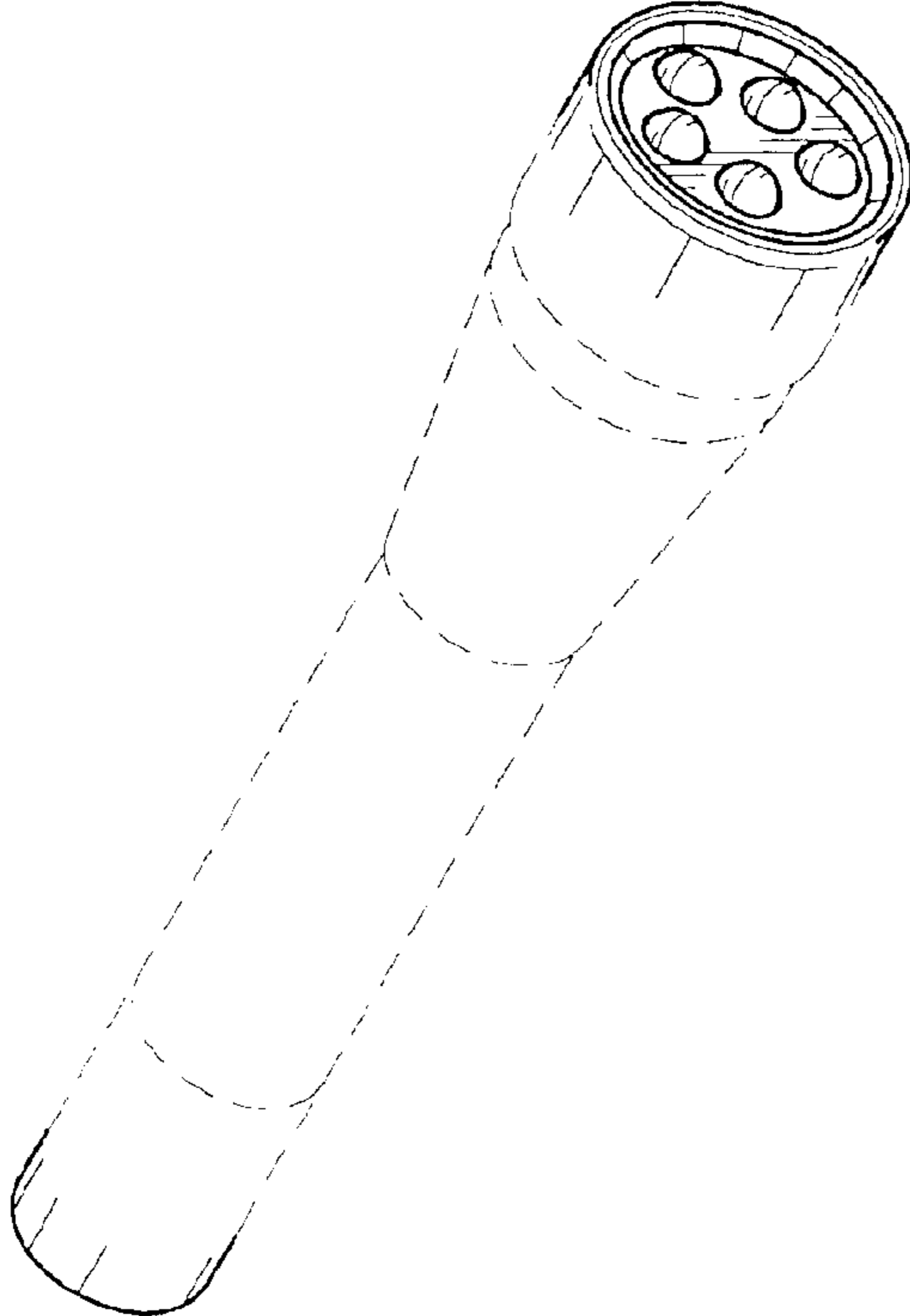


FIG.2

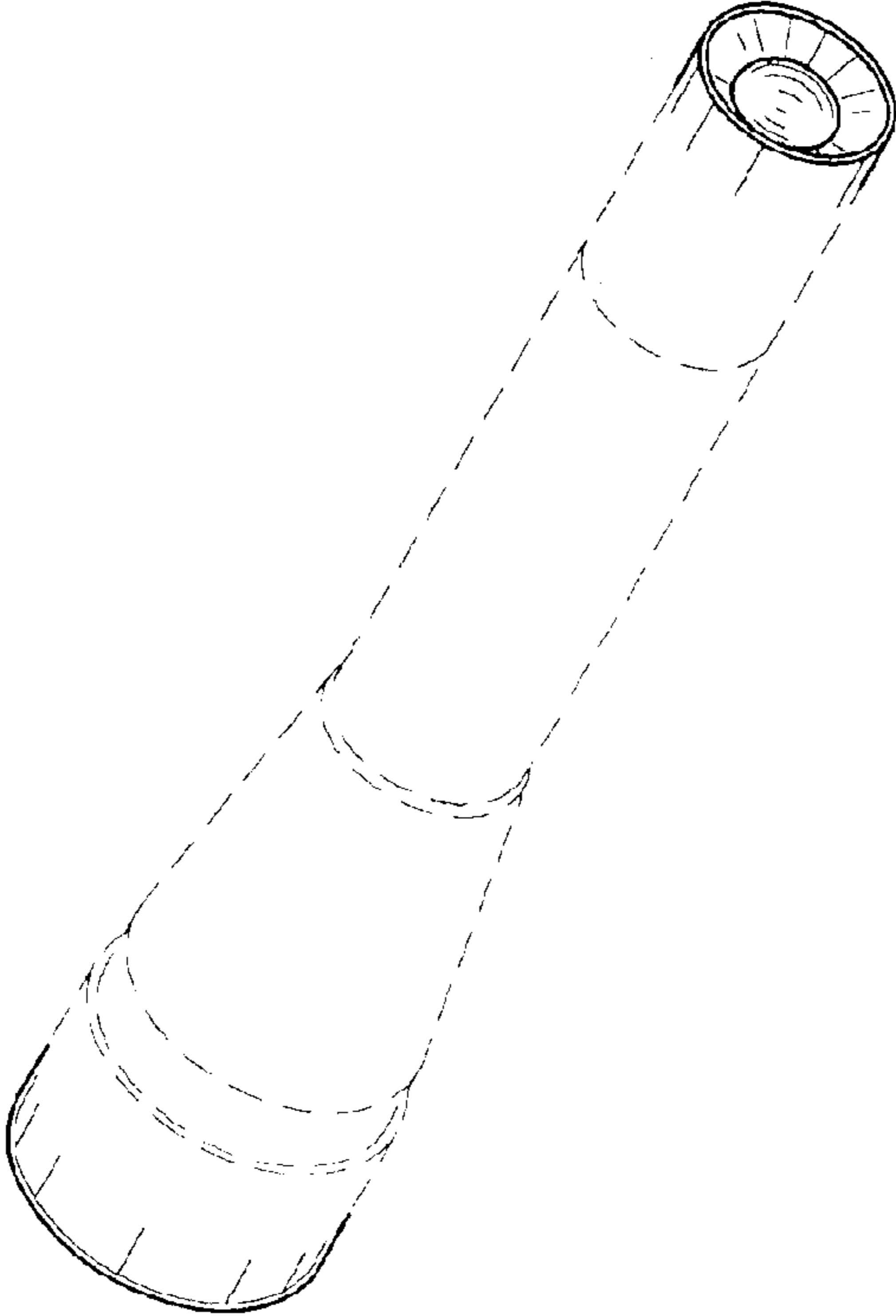


FIG.3

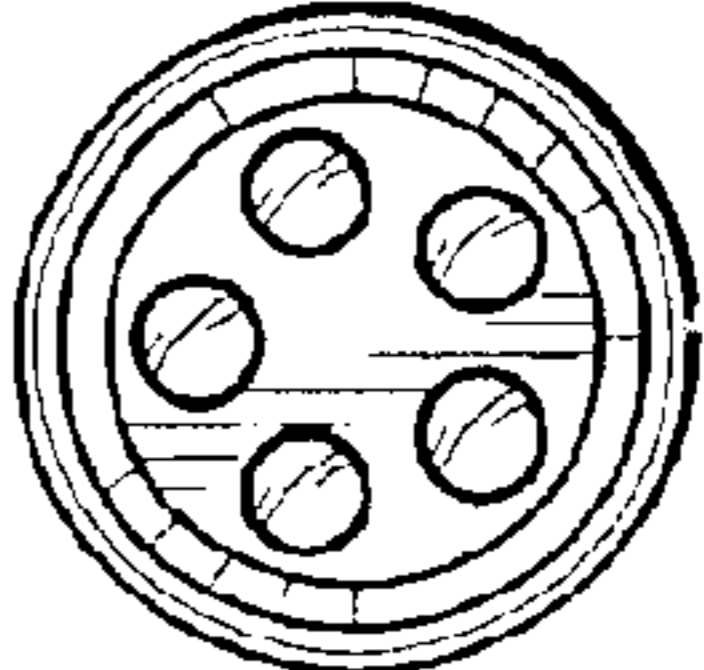


FIG.4

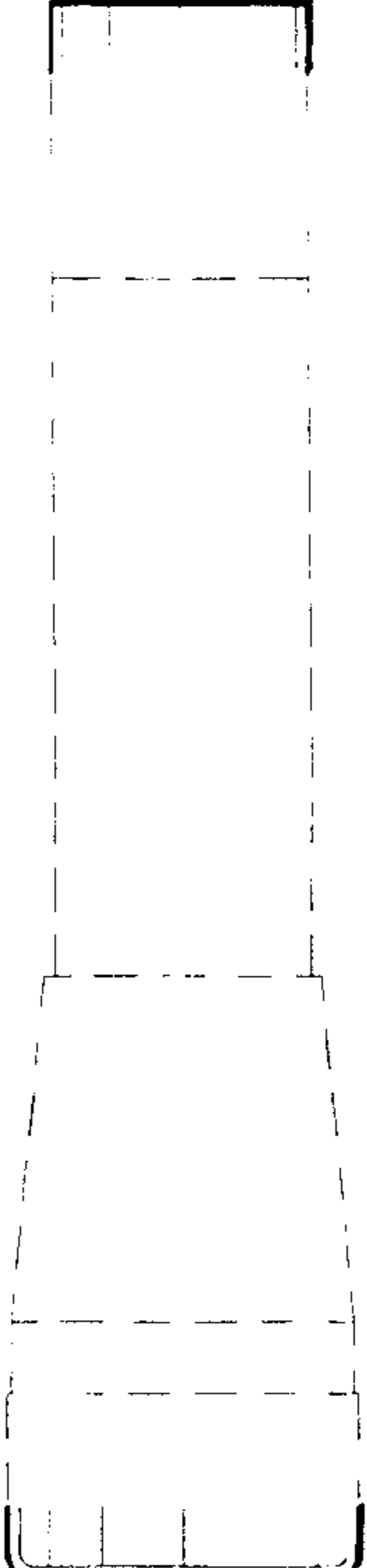


FIG.5

