

US00D500561S

(12) **United States Design Patent**  
**Franson**

(10) **Patent No.:** **US D500,561 S**  
(45) **Date of Patent:** **\*\* Jan. 4, 2005**

(54) **WINDOW COMPONENT EXTRUSION**

D448,497 S 9/2001 Cole

(76) **Inventor:** **Jeffrey R. Franson**, 21629 SE. 239th St., Maple Valley, WA (US) 98038

\* cited by examiner

(\*\*) **Term:** **14 Years**

*Primary Examiner*—Doris Clark  
(74) *Attorney, Agent, or Firm*—Black Lowe & Graham PLLC

(21) **Appl. No.:** **29/196,023**

(57) **CLAIM**

(22) **Filed:** **Dec. 19, 2003**

The ornamental design for a window component extrusion, as shown and described.

(51) **LOC (7) Cl.** ..... **25-01**

(52) **U.S. Cl.** ..... **D25/124**

(58) **Field of Search** ..... D25/124, 125;  
52/204.1, 204.5; 49/DIG. 2, 504

**DESCRIPTION**

FIG. 1 is a top right perspective view of the window component extrusion which is broken in the center indicating indefinite length; and,

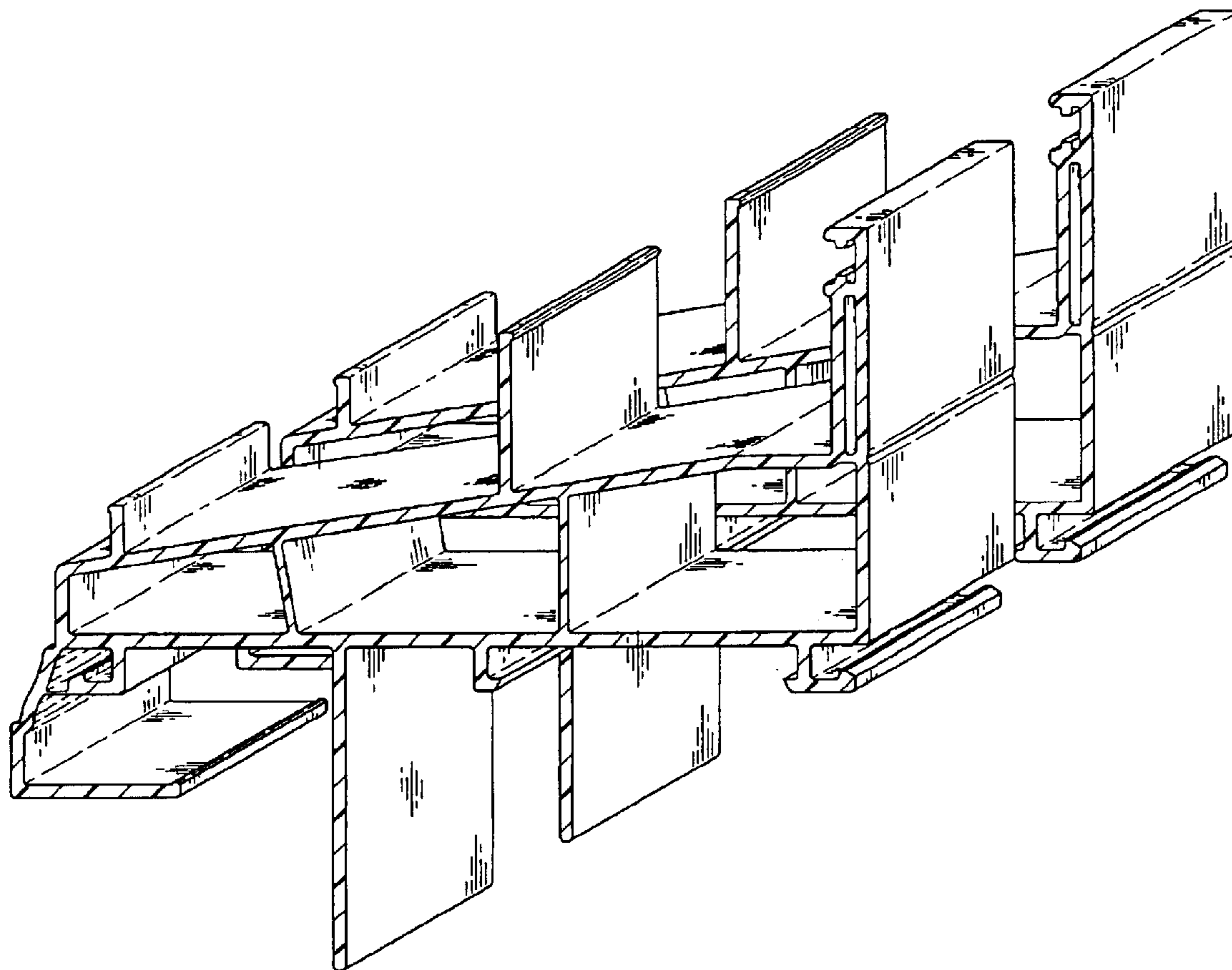
FIG. 2 is a bottom left perspective view of the window component extrusion shown in FIG. 1.

(56) **References Cited**

**U.S. PATENT DOCUMENTS**

D394,509 S 5/1998 Franson  
D432,678 S \* 10/2000 Habeck et al. .... D25/124

**1 Claim, 1 Drawing Sheet**



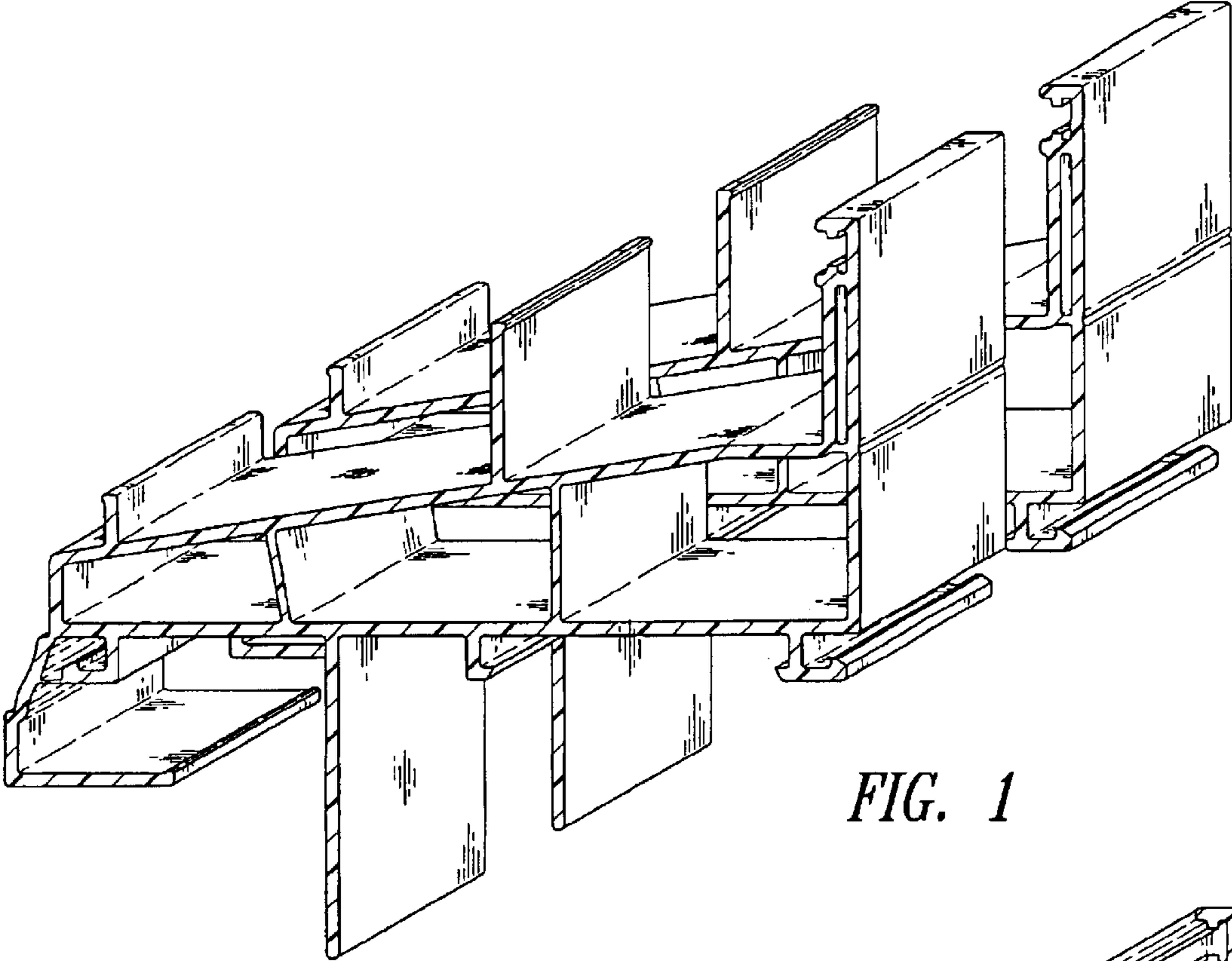


FIG. 1

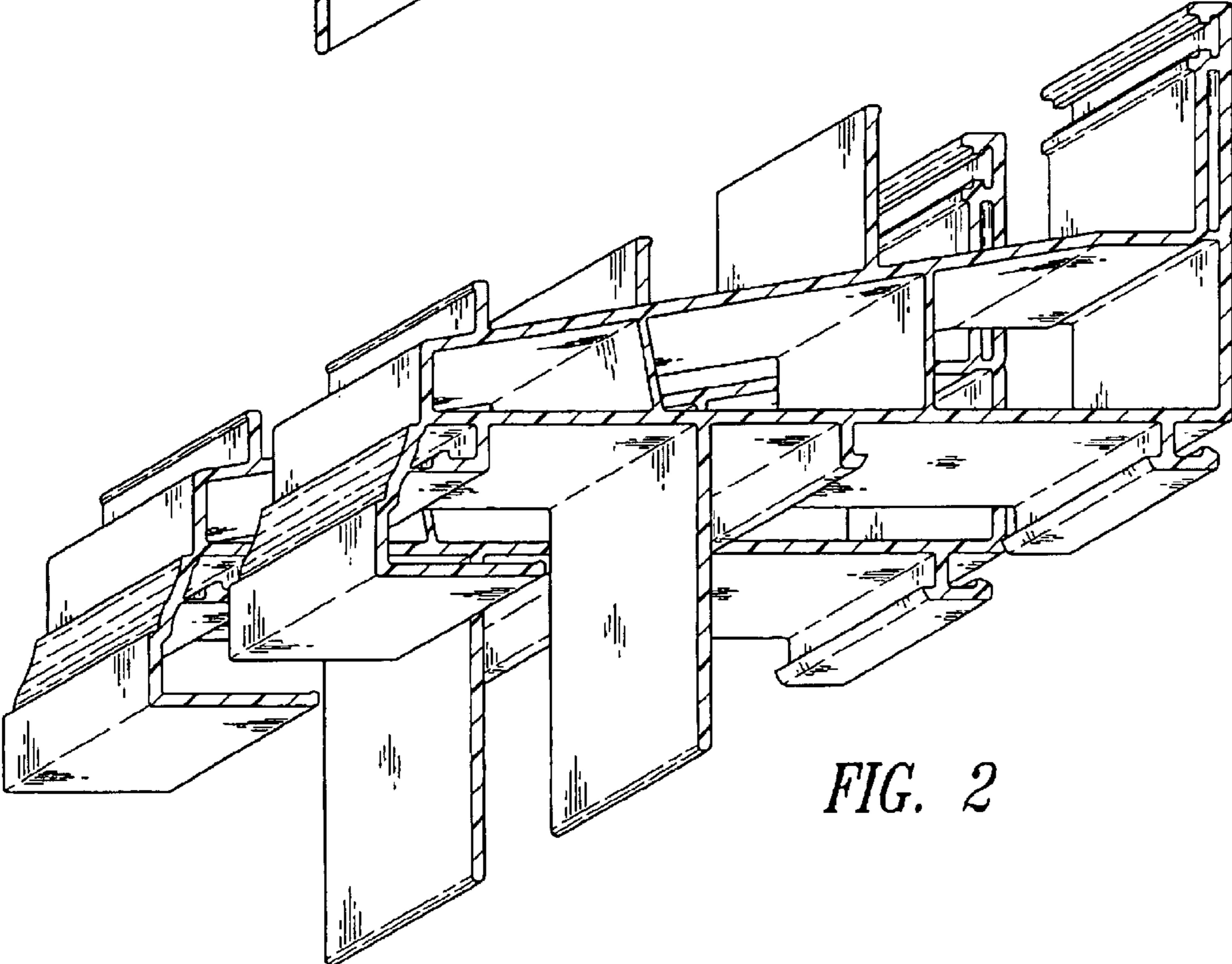


FIG. 2