

US00D500560S

(12) **United States Design Patent**
Willman et al.

(10) **Patent No.:** **US D500,560 S**
(45) **Date of Patent:** **** Jan. 4, 2005**

(54) **WINDOW SASH FRAME EXTRUSION**

D461,257 S 8/2002 Ballard et al.

(75) Inventors: **Todd A. Willman**, Germantown, OH (US); **Roger D. Brooks**, Springboro, OH (US); **Philip G. Morton**, Germantown, OH (US); **Jonathan C. Hauberg**, Centerville, OH (US)

* cited by examiner

Primary Examiner—Doris Clark
(74) *Attorney, Agent, or Firm*—Jacox, Meckstroth & Jenkins

(73) Assignee: **Dayton Technologies, L.L.C.**, Monroe, OH (US)

(57) **CLAIM**

(**) Term: **14 Years**

The ornamental design for a window sash frame extrusion, as shown and described.

(21) Appl. No.: **29/194,720**

(22) Filed: **Dec. 1, 2003**

DESCRIPTION

(51) **LOC (7) Cl.** **25-01**

(52) **U.S. Cl.** **D25/124**

(58) **Field of Search** D25/124; 52/204.55,
52/204.5

FIG. 1 is a perspective view of a window sash frame extrusion, showing our new design, with a middle portion broken away to disclose indefinite length; and,

FIG. 2 is an end view thereof, the opposite end view being a mirror image.

(56) **References Cited**

U.S. PATENT DOCUMENTS

D358,670 S * 5/1995 Franson D25/124

1 Claim, 1 Drawing Sheet

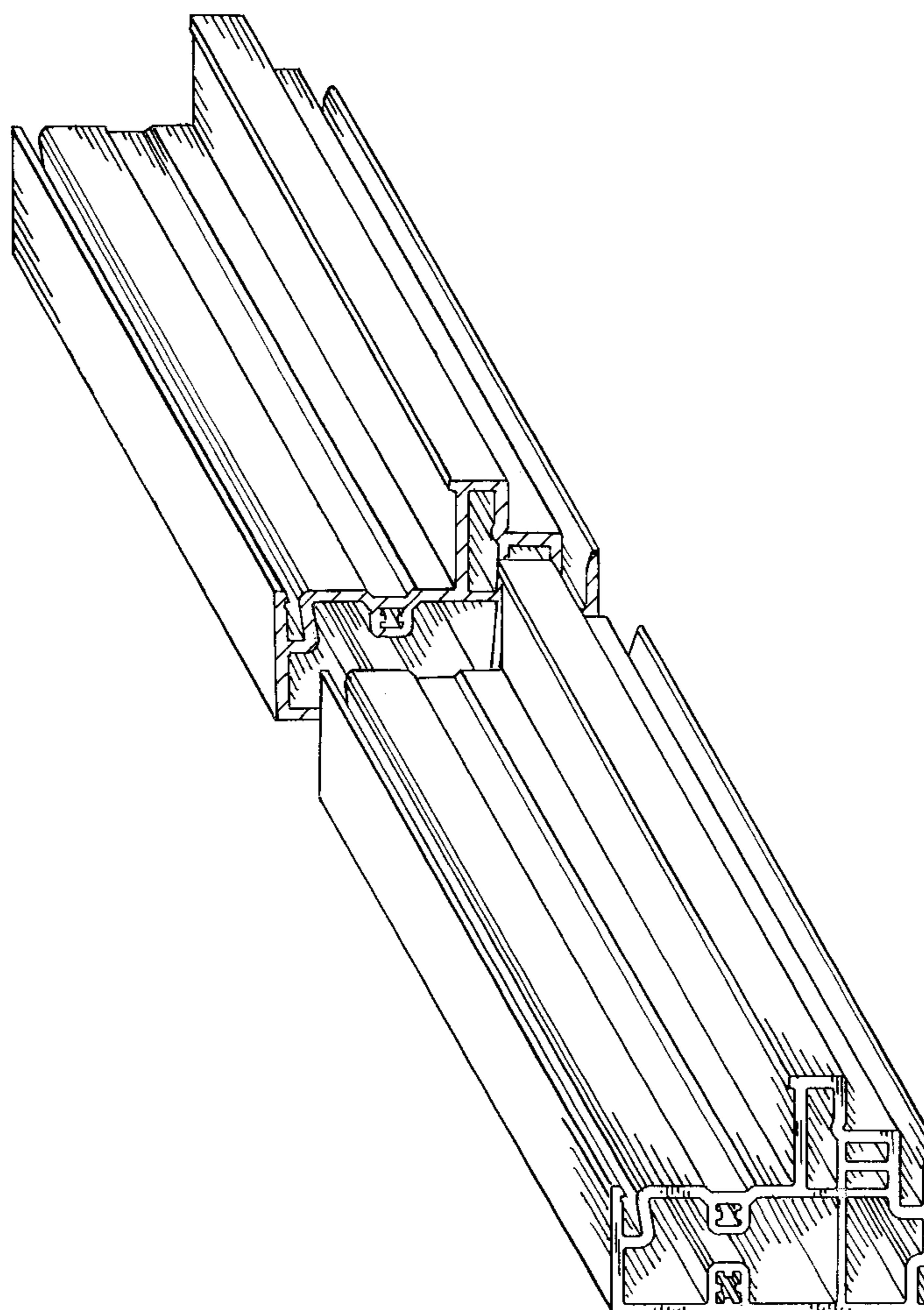


FIG-1

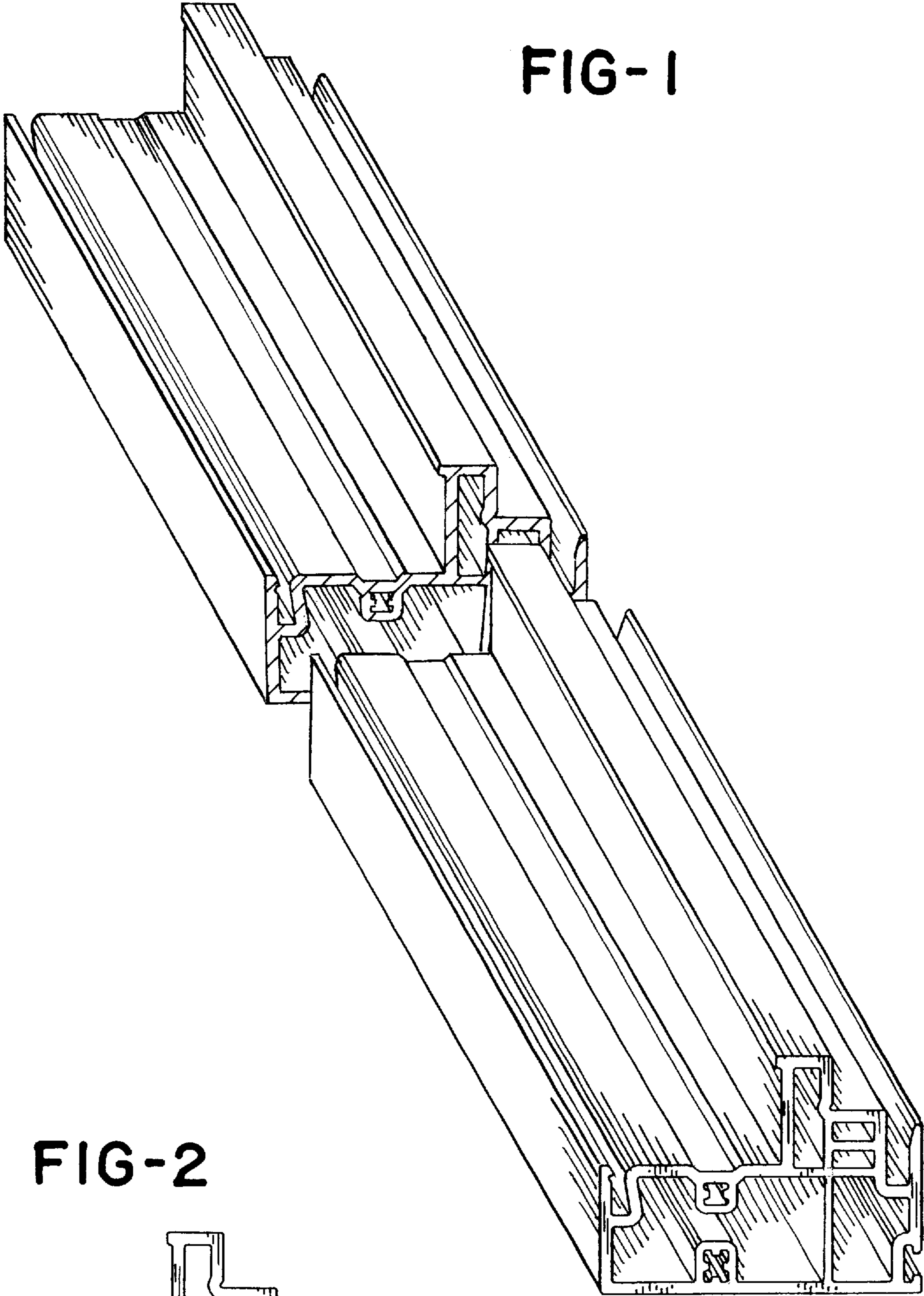


FIG-2

