

US00D500554S

(12) **United States Design Patent**
Brunjes et al.

(10) **Patent No.:** **US D500,554 S**
(45) **Date of Patent:** **** Jan. 4, 2005**

(54) **PUMP BODY FOR A MECHANICAL
CARDIOPULMONARY RESUSCITATOR**

5,823,185 A * 10/1998 Chang 128/205.18
2003/0178025 A1 * 9/2003 Holt et al. 128/205.13

(75) Inventors: **Michael W. Brunjes**, Labadie, MO
(US); **Jason J. Diniz**, Philadelphia, PA
(US)

* cited by examiner

Primary Examiner—Ian Simmons
(74) *Attorney, Agent, or Firm*—Walker, McKenzie &
Walker, P.C.

(73) Assignee: **NewAir Manufacturing, L.L.C.**,
Bartlett, TN (US)

(57) **CLAIM**

(**) Term: **14 Years**

The ornamental design for a pump body for a mechanical
cardiopulmonary resuscitator, as shown and described.

(21) Appl. No.: **29/176,570**

DESCRIPTION

(22) Filed: **Feb. 24, 2003**

(51) **LOC (7) Cl.** **24-04**

(52) **U.S. Cl.** **D24/164; D24/110**

(58) **Field of Search** D24/115, 110,
D24/110.5, 167, 164, 169; D15/7; 128/205.13,
205.18, 205.24, 204.13; 601/41

FIG. 1 is a front elevational view of a pump body for a
mechanical cardiopulmonary resuscitator, showing a pre-
ferred embodiment of our new design, the rear elevation
being a mirror image thereof.

FIG. 2 is a bottom plan view of the pump body for a
mechanical cardiopulmonary resuscitator of FIG. 1.

FIG. 3 is a top plan view of the pump body for a
mechanical cardiopulmonary resuscitator of FIG. 1.

FIG. 4 is a first end view of the pump body for a
mechanical cardiopulmonary resuscitator of FIG. 1; and,

FIG. 5 is a second end view of the pump body for a
mechanical cardiopulmonary resuscitator of FIG. 1.

(56) **References Cited**

U.S. PATENT DOCUMENTS

D251,853 S * 5/1979 Elam D24/110
4,819,627 A * 4/1989 Connors 128/203.11
D335,552 S * 5/1993 Kohnke D24/110.5
5,806,512 A * 9/1998 Abramov et al. 128/204.18

1 Claim, 3 Drawing Sheets

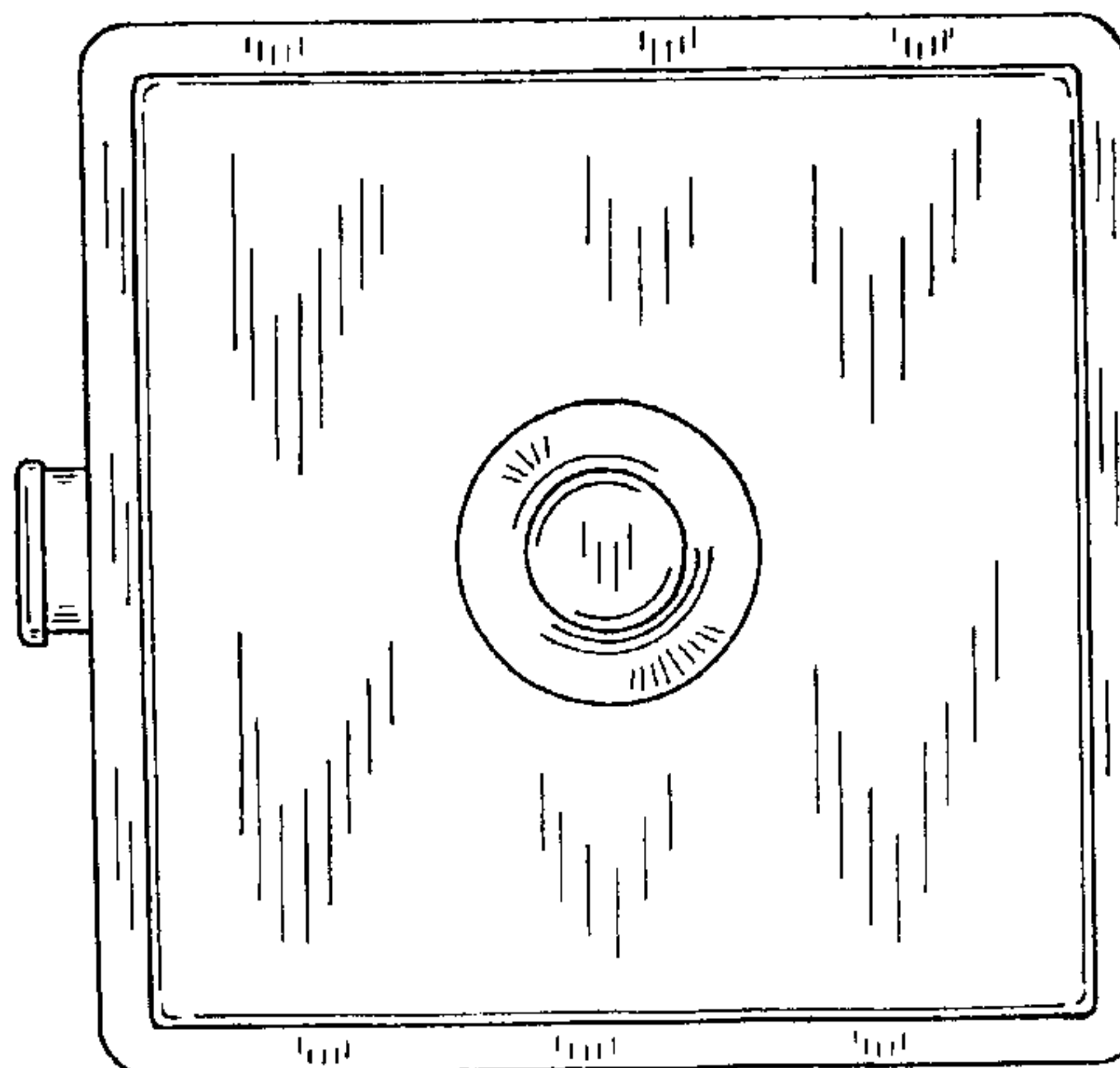
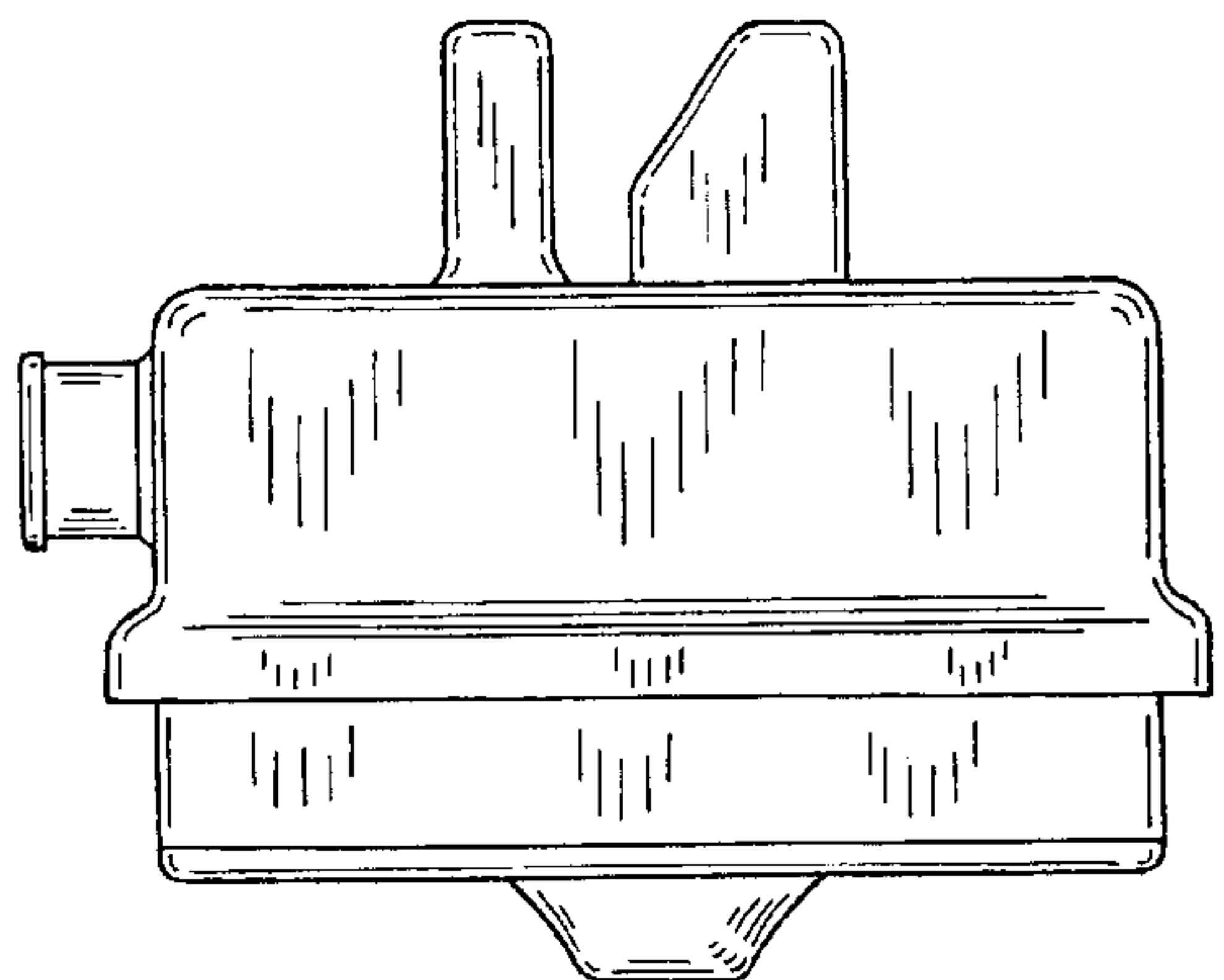


FIG. 1

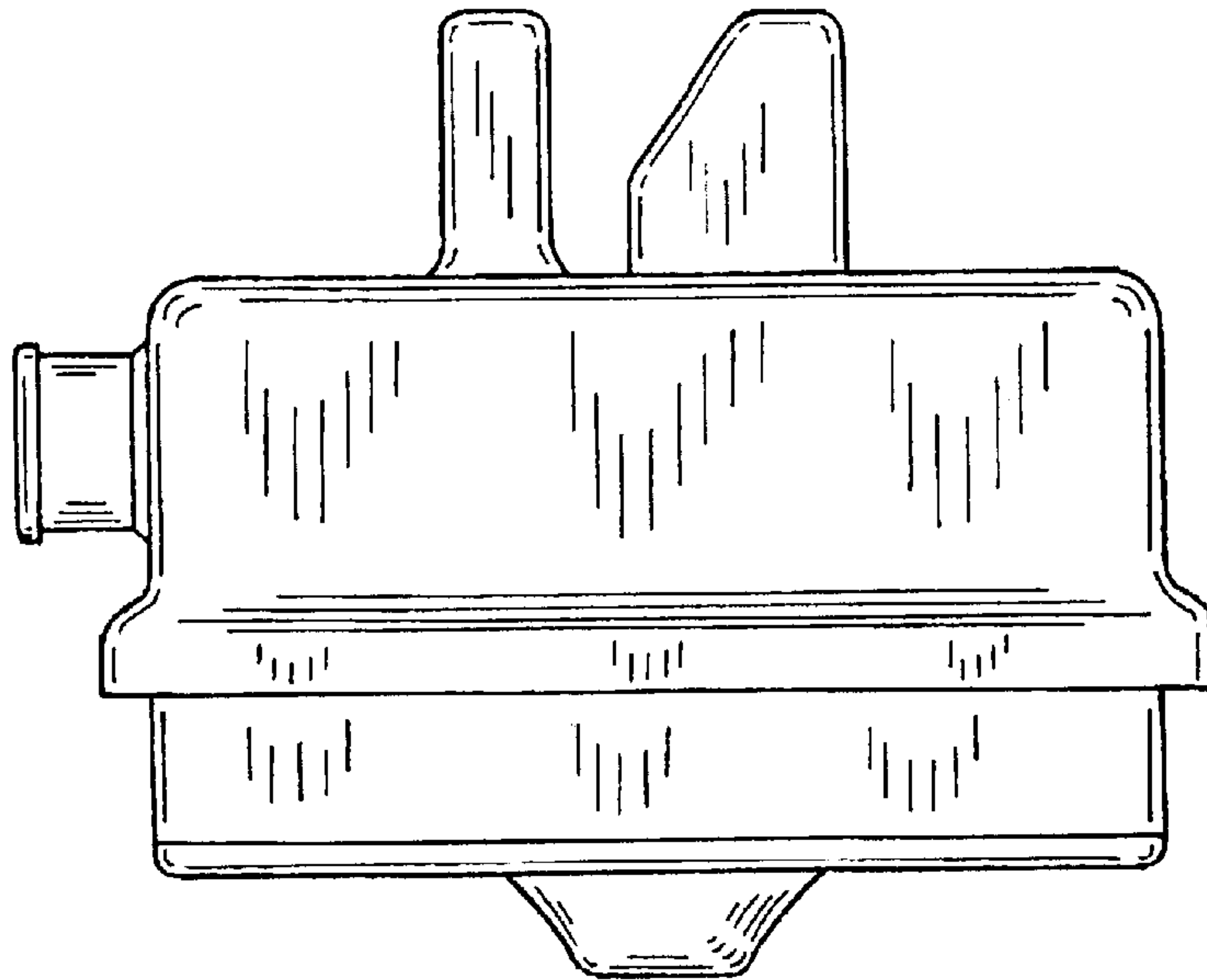


FIG. 2

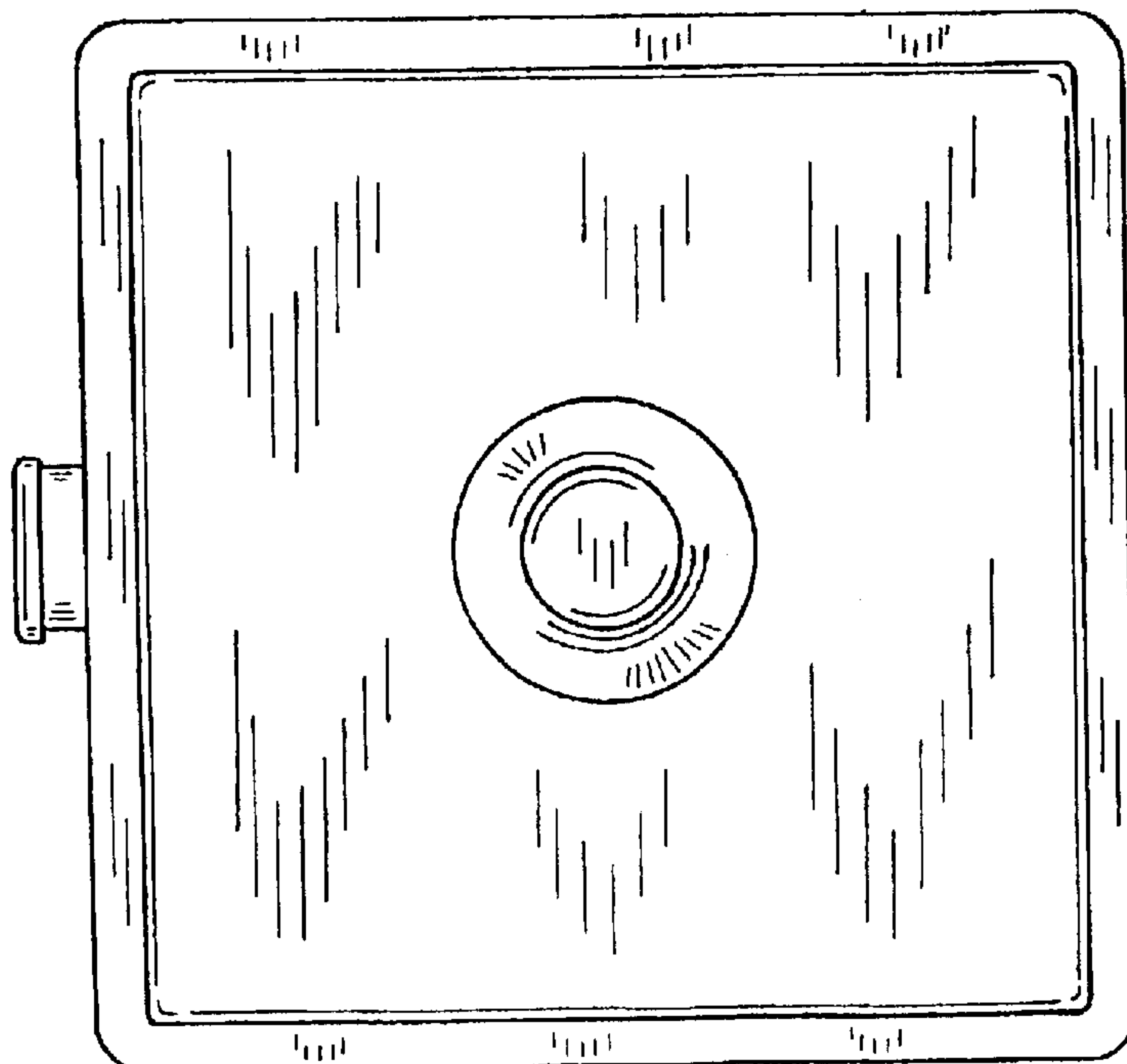


FIG. 3

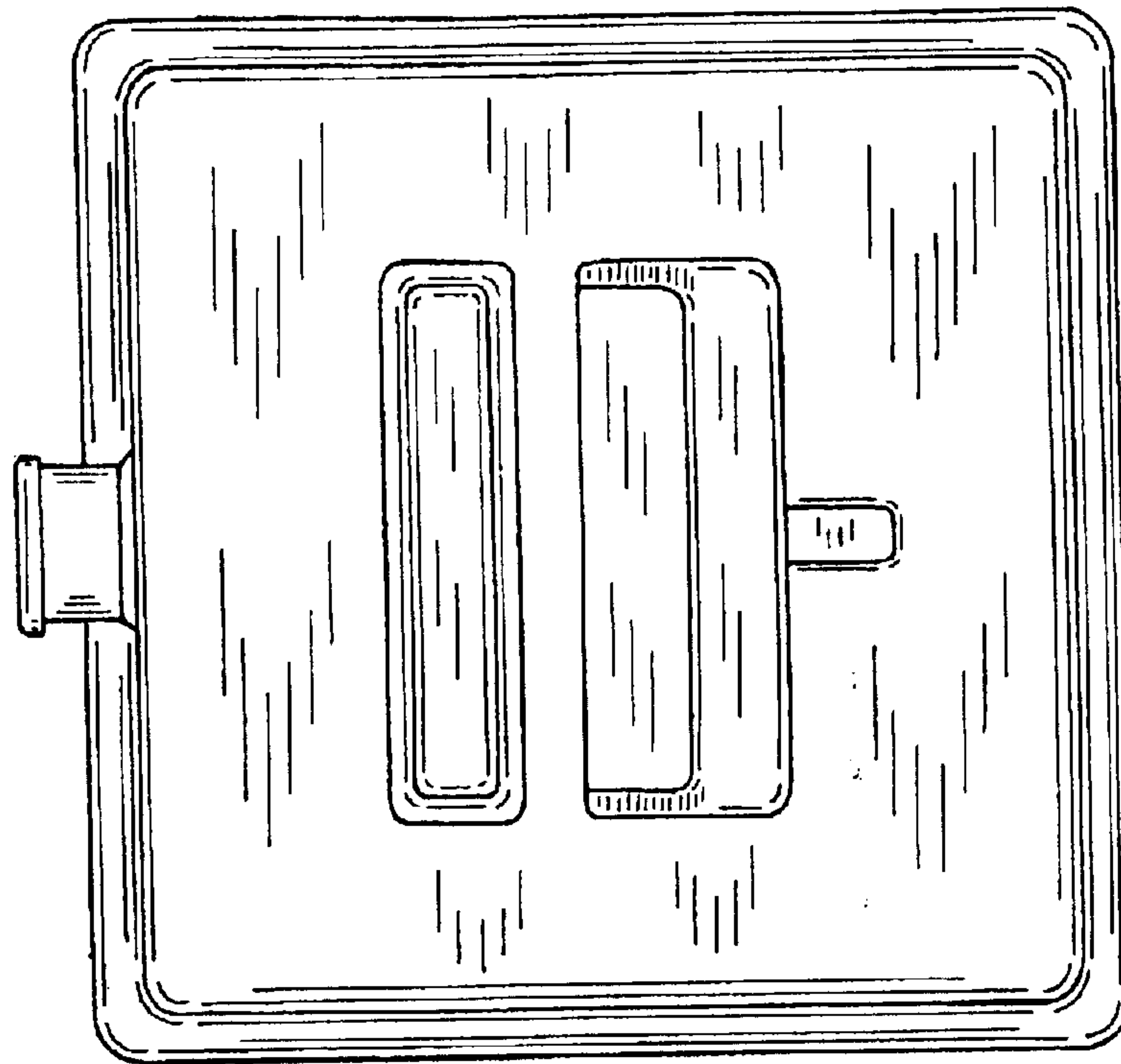


FIG. 4

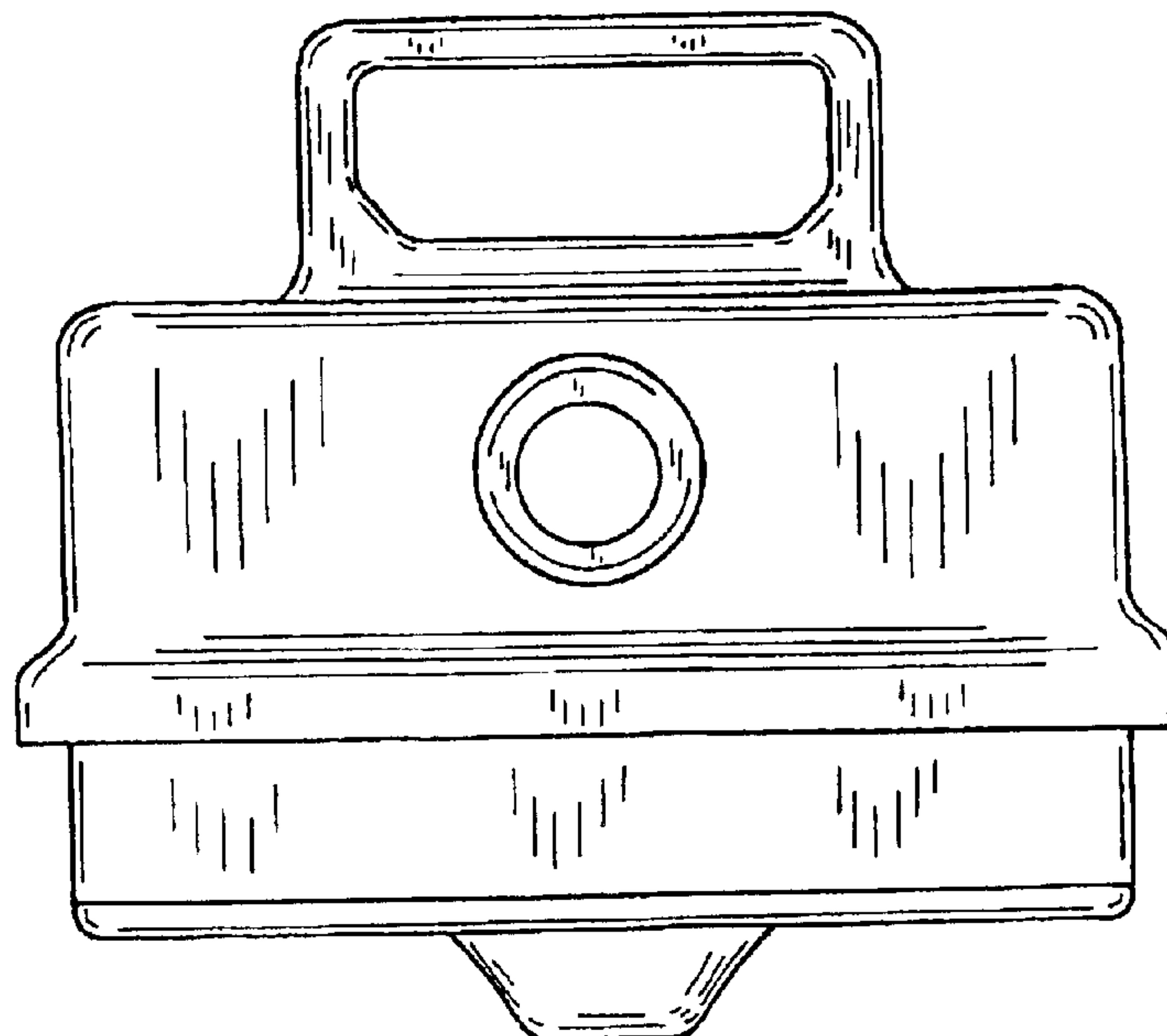


FIG. 5

