

US00D500551S

(12) **United States Design Patent**
Lantz et al.

(10) **Patent No.: US D500,551 S**
(45) **Date of Patent: ** Jan. 4, 2005**

(54) **BREAST PUMP**

(75) Inventors: **Daniel Lantz**, Morristown, NJ (US);
Ralf Groene, Boulder, CO (US)

(73) Assignee: **Gerber Products Company**, Fremont,
MI (US)

(**) Term: **14 Years**

(21) Appl. No.: **29/190,980**

(22) Filed: **Sep. 30, 2003**

(51) **LOC (7) Cl.** **24-02**

(52) **U.S. Cl.** **D24/109**

(58) **Field of Search** D24/109; 604/74,
604/75, 76

2003/0191432 A1 10/2003 Silver
2003/0204164 A1 10/2003 Britto et al.
2004/0039330 A1 * 2/2004 Silver 604/74
2004/0087898 A1 * 5/2004 Weniger 604/74

FOREIGN PATENT DOCUMENTS

WO WO 03/013628 2/2003

* cited by examiner

Primary Examiner—Ian Simmons

(74) *Attorney, Agent, or Firm*—John W. Kung

(57) **CLAIM**

The ornamental design of a breast pump, as shown and described.

DESCRIPTION

FIG. 1 is a rear perspective view of a breast pump showing our new design;

FIG. 2 is a front elevational view of the breast pump shown in FIG. 1;

FIG. 3 is a rear elevational view of the breast pump shown in FIG. 1;

FIG. 4 is a left side elevational view of the breast pump shown in FIG. 1, the right side being a mirror image of the left side; and,

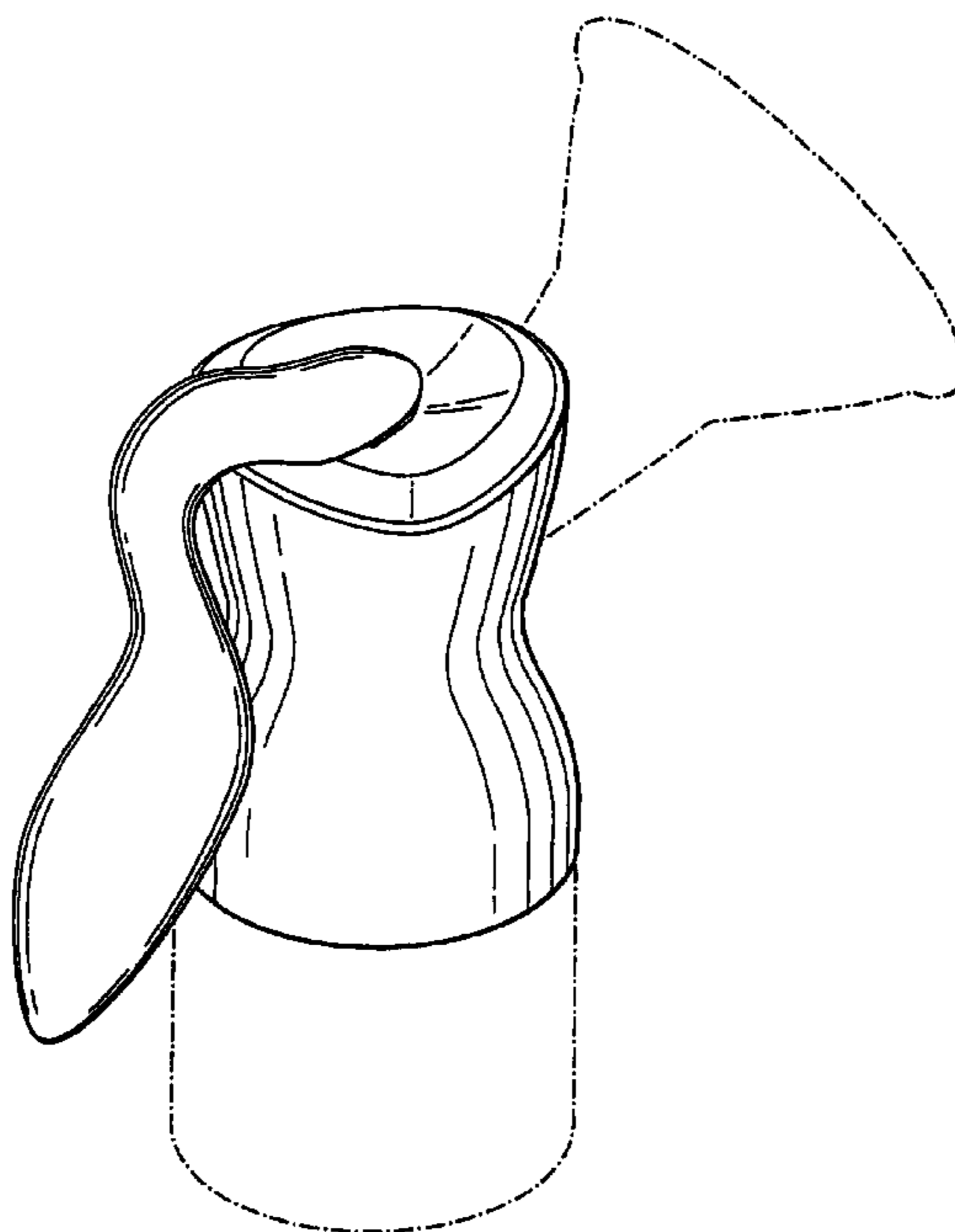
FIG. 5 is a top plan view of a breast pump shown in FIG. 1. The broken line showing of the funnel and bottle in the FIGS. 1 through 5 is for illustrative purposes only and forms no part of our claimed design. The bottom of the breast pump is not visible in its normal or intended use. Therefore, the bottom view is not a matter or ornamental concern, and has been omitted from the drawings.

(56) **References Cited**

U.S. PATENT DOCUMENTS

D307,478 S	4/1990	Morifuji
D309,500 S	7/1990	Yuan et al.
D313,103 S	12/1990	Kawano
D326,319 S	5/1992	Chambers
D326,516 S	5/1992	Chambers
D345,209 S	3/1994	Shoda et al.
5,415,632 A	5/1995	Samson
D372,777 S	8/1996	Kan
5,749,850 A	5/1998	Williams et al.
5,843,029 A	12/1998	Bachman et al.
D408,528 S	4/1999	Kan
D418,598 S	1/2000	Jauch
D420,443 S	2/2000	Morifuji
6,152,896 A	11/2000	Bachman et al.
D446,300 S	8/2001	Kirchner
6,749,582 B2 *	6/2004	Britto et al. 604/74
D496,097 S *	9/2004	Rosnak et al. D24/109

1 Claim, 4 Drawing Sheets



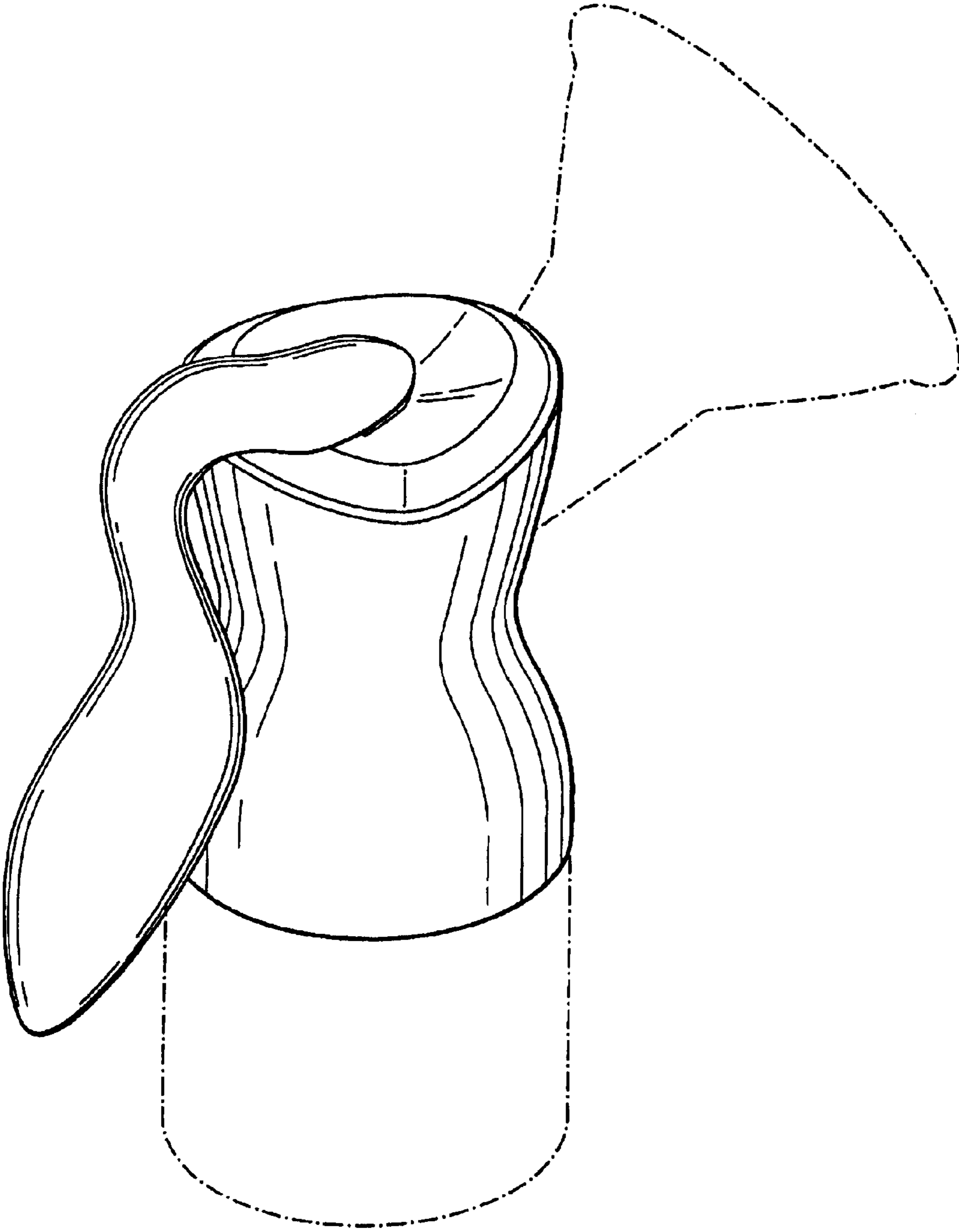


FIG. 1

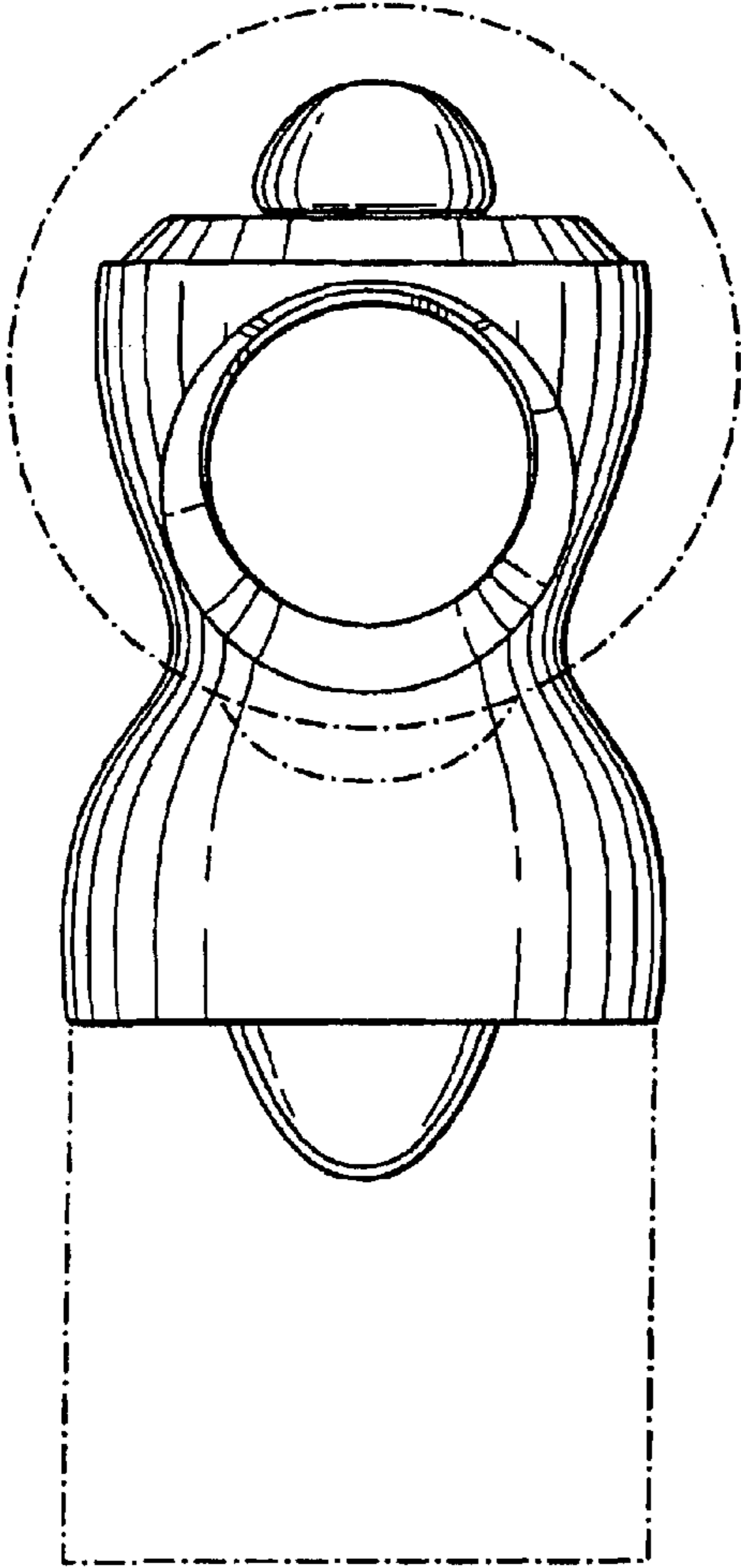


FIG. 2

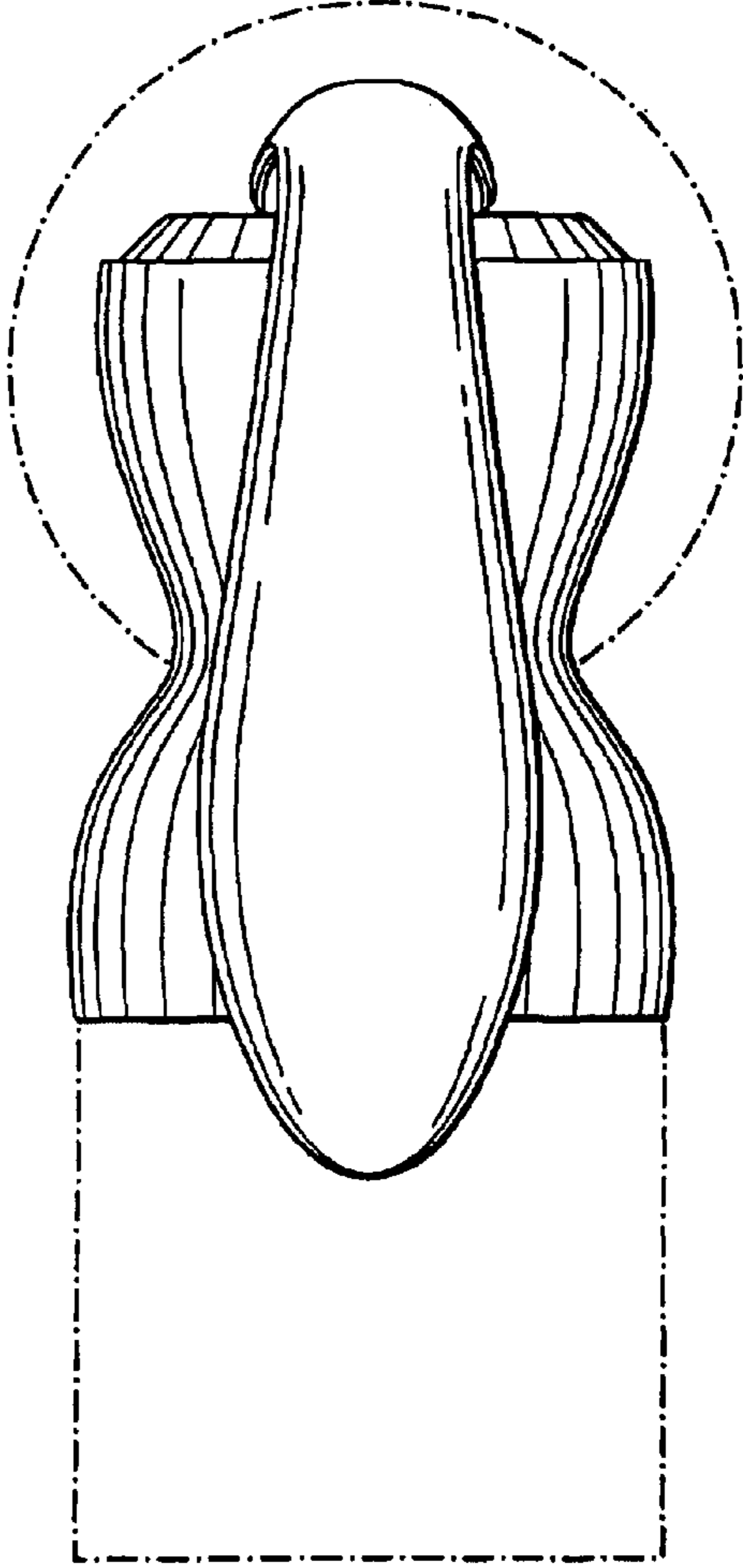


FIG. 3

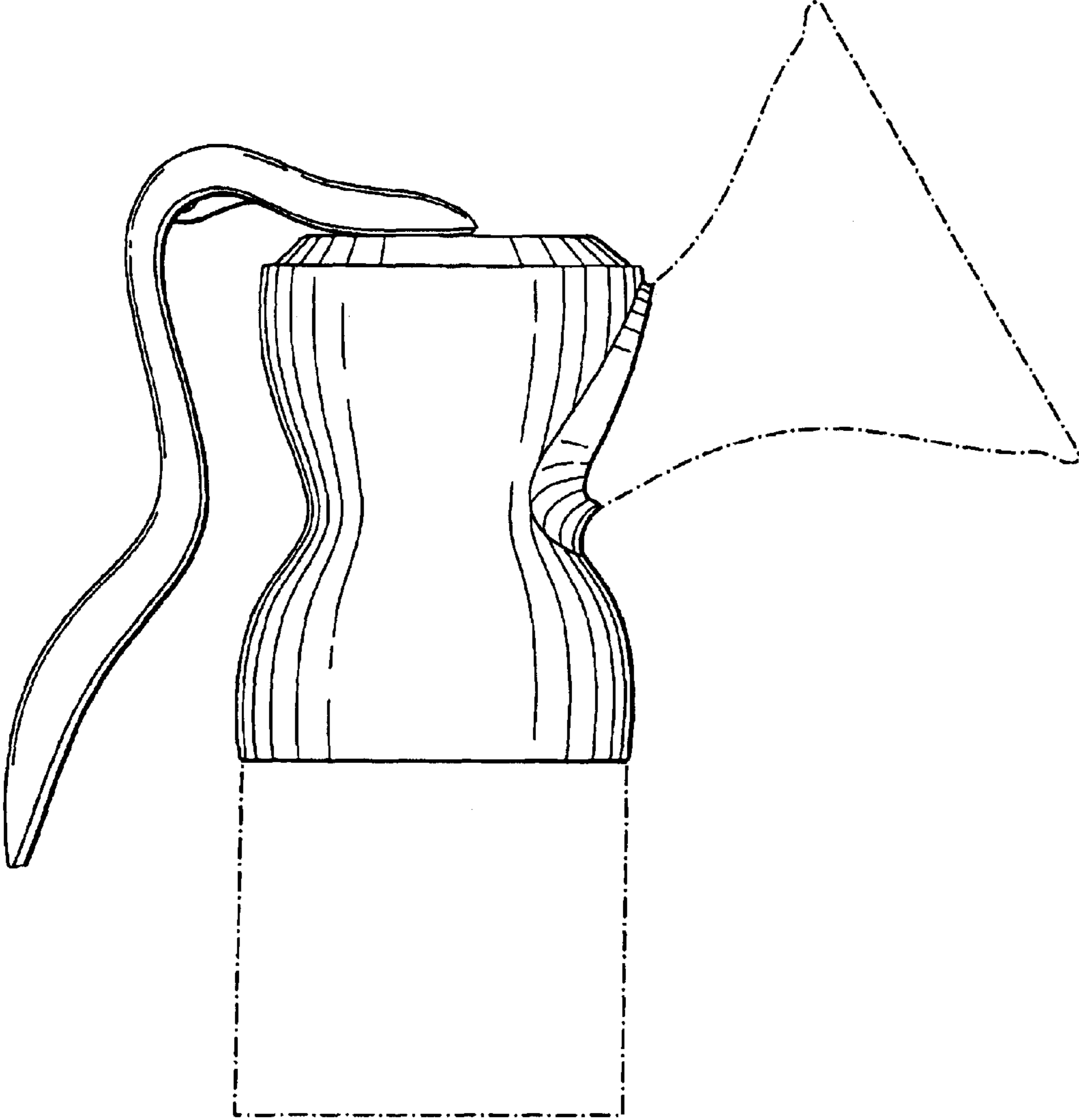


FIG. 4

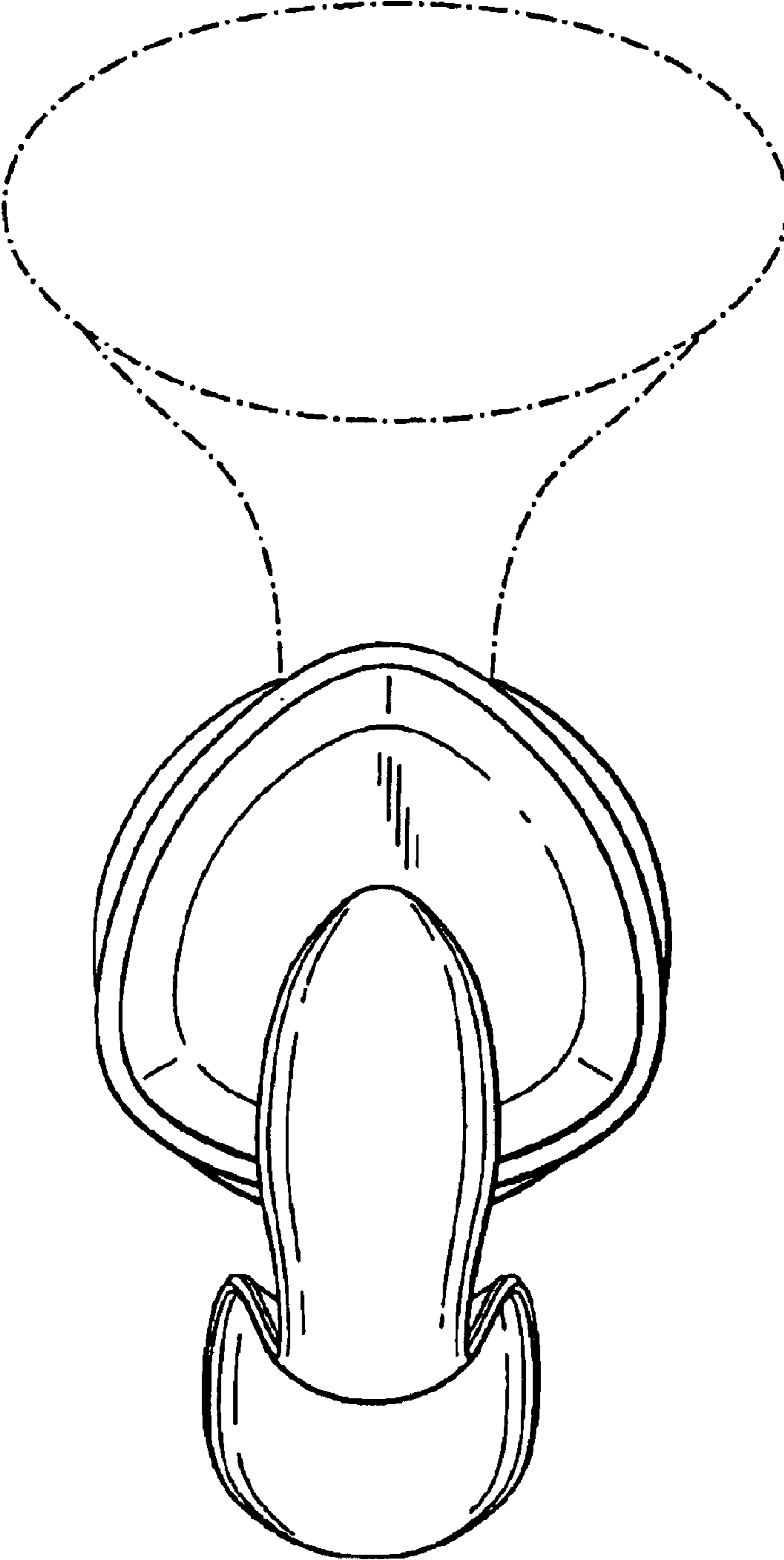


FIG. 5