

US00D500547S

(12) **United States Design Patent**
Gray

(10) **Patent No.:** **US D500,547 S**
(45) **Date of Patent:** **** Jan. 4, 2005**

(54) **REEL**

(76) **Inventor:** **David Gray**, 928 NW. Bent Tree Dr.,
Lee's Summit, MO (US) 64081

(**) **Term:** **14 Years**

(21) **Appl. No.:** **29/198,593**

(22) **Filed:** **Jan. 30, 2004**

(51) **LOC (7) Cl.** **22-05**

(52) **U.S. Cl.** **D22/140**

(58) **Field of Search** D22/140, 137-139;
242/223, 314, 370, 310; 43/19-21

(56) **References Cited**

U.S. PATENT DOCUMENTS

D400,639 S	*	11/1998	Ito et al.	D22/140
6,032,894 A	*	3/2000	Chapman et al.	242/310
D452,292 S	*	12/2001	Kim et al.	D22/140
D476,715 S	*	7/2003	Robbins et al.	D22/140

* cited by examiner

Primary Examiner—Catherine R. Oliver
(74) *Attorney, Agent, or Firm*—Blackwell Sanders Peper
Martin LLP

(57) **CLAIM**

The ornamental design for a reel, as shown and described.

DESCRIPTION

FIG. 1 is a perspective view of a reel according to the present invention.

FIG. 2 is a top elevational view of the reel of FIG. 1.

FIG. 3 is a bottom elevational view of FIG. 1.

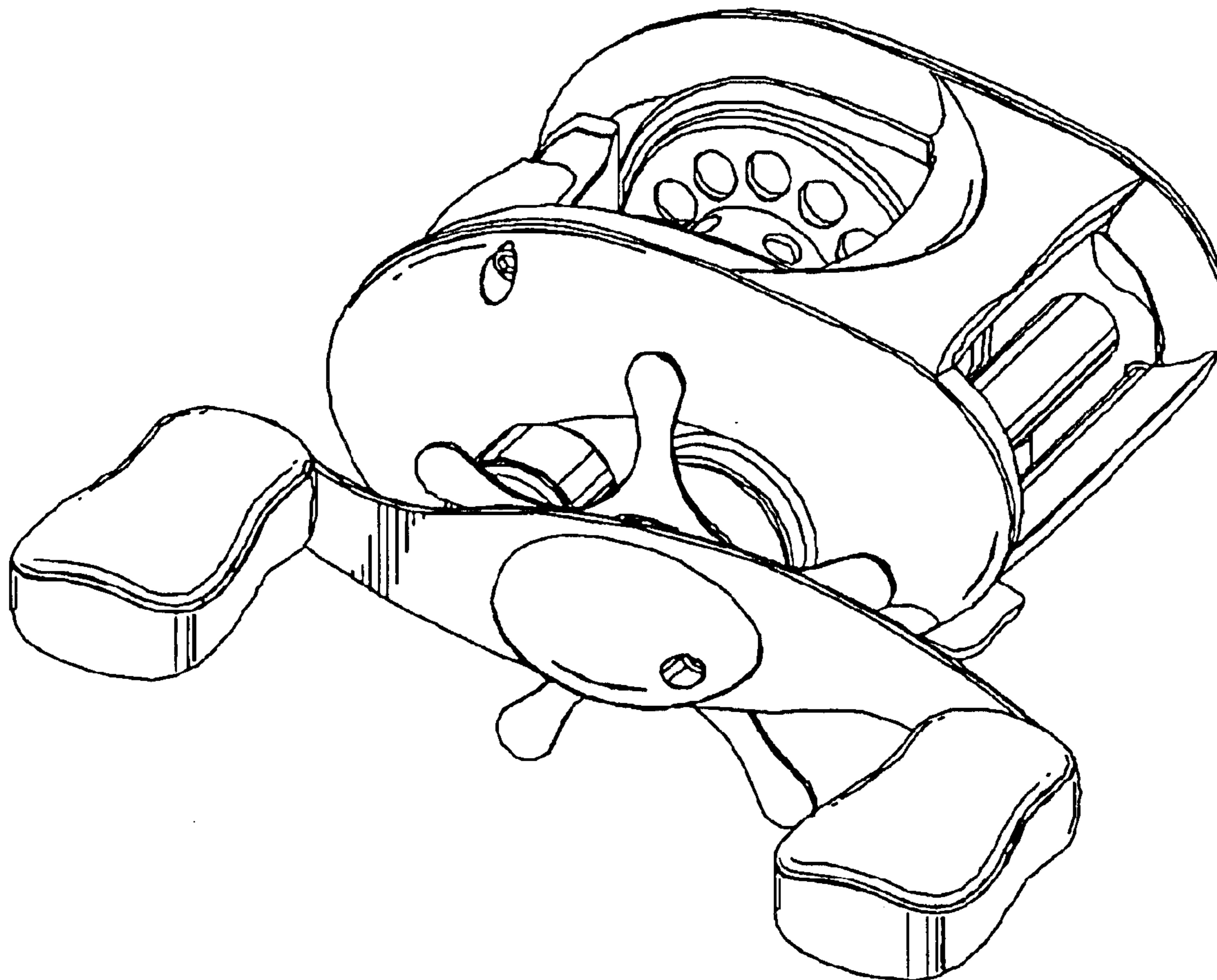
FIG. 4 is a front elevational view of FIG. 1.

FIG. 5 is a right side elevational view of FIG. 1.

FIG. 6 is a rear elevational view of FIG. 1; and,

FIG. 7 is a left side elevational view of FIG. 1.

1 Claim, 3 Drawing Sheets



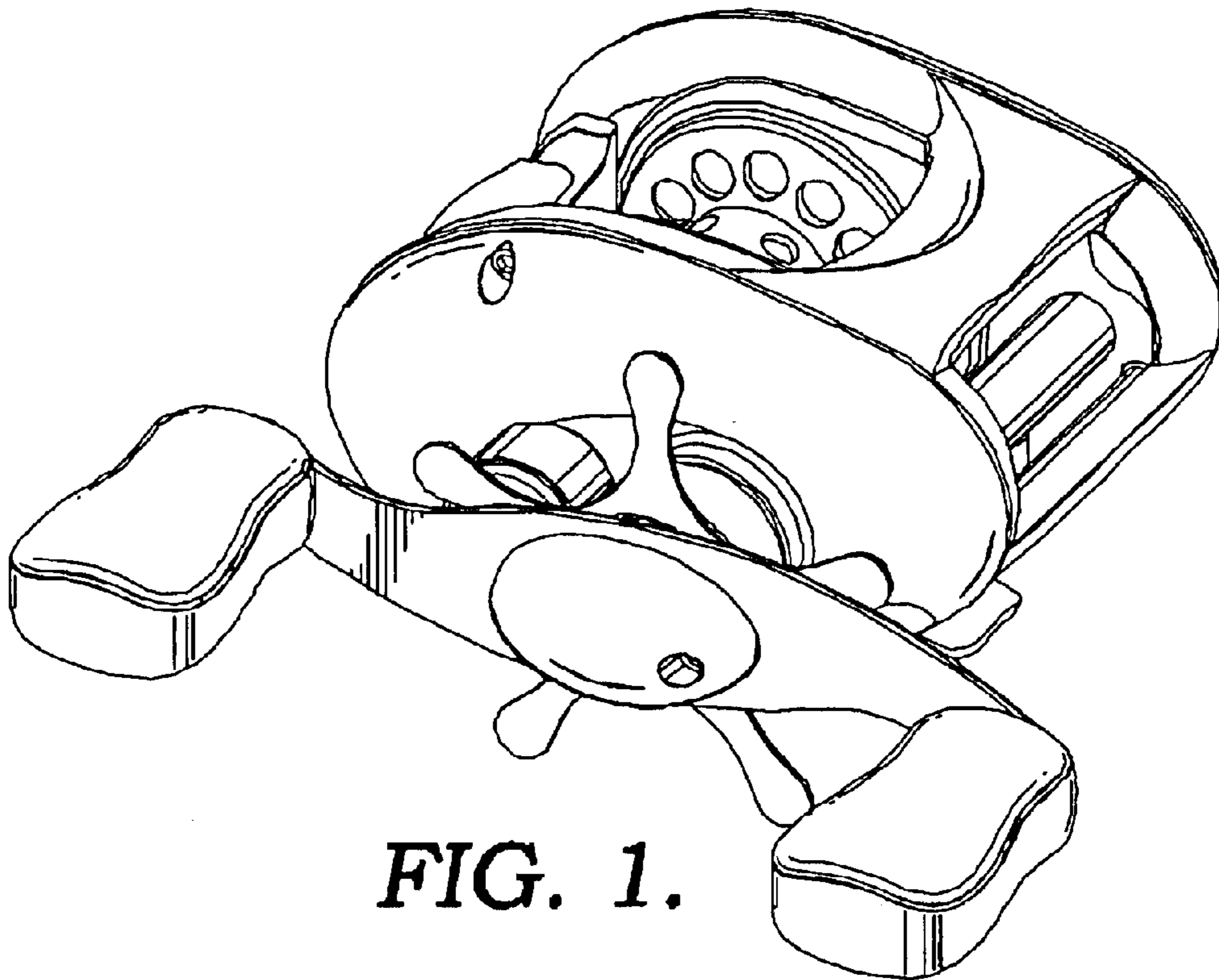


FIG. 1.

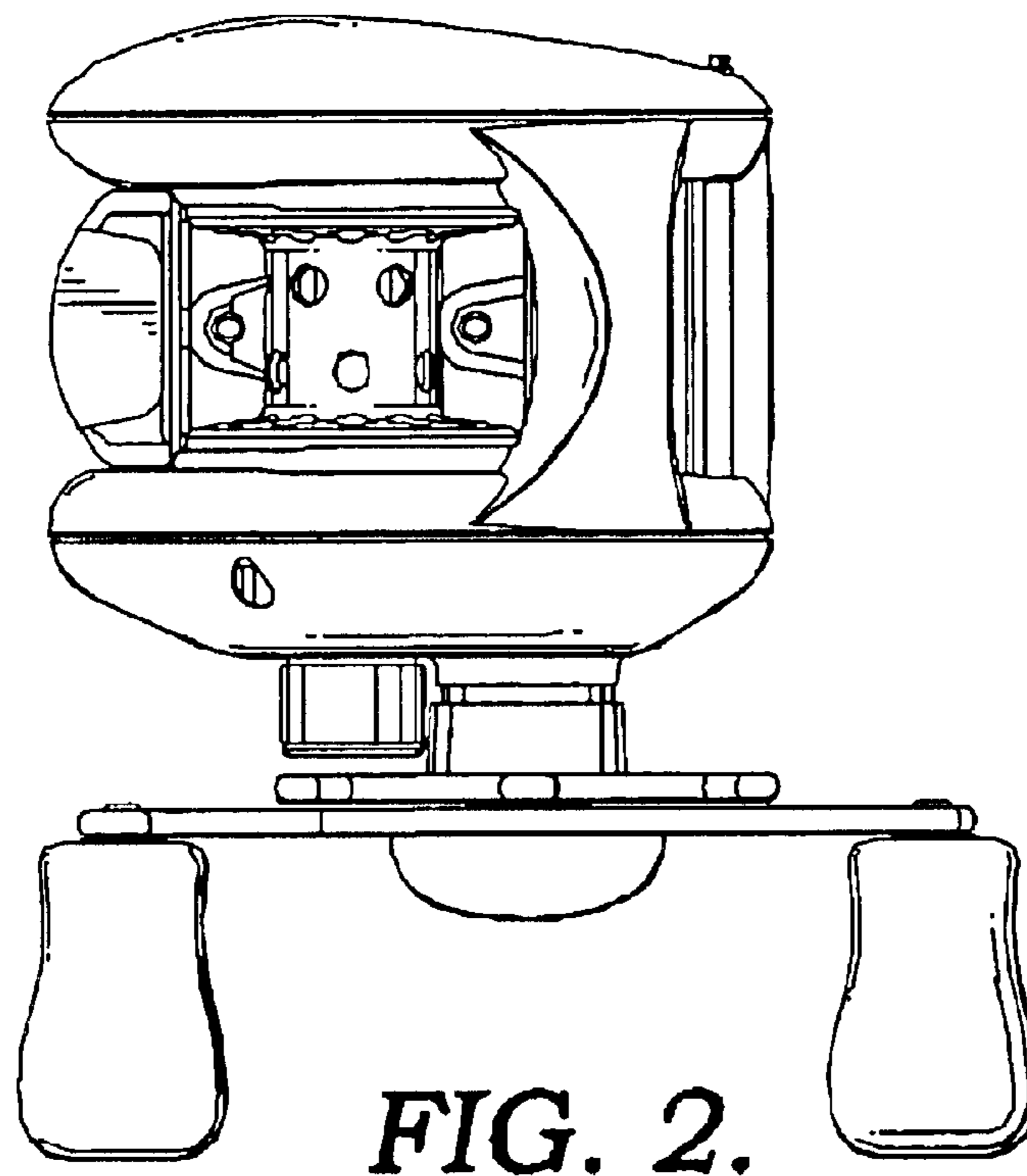


FIG. 2.

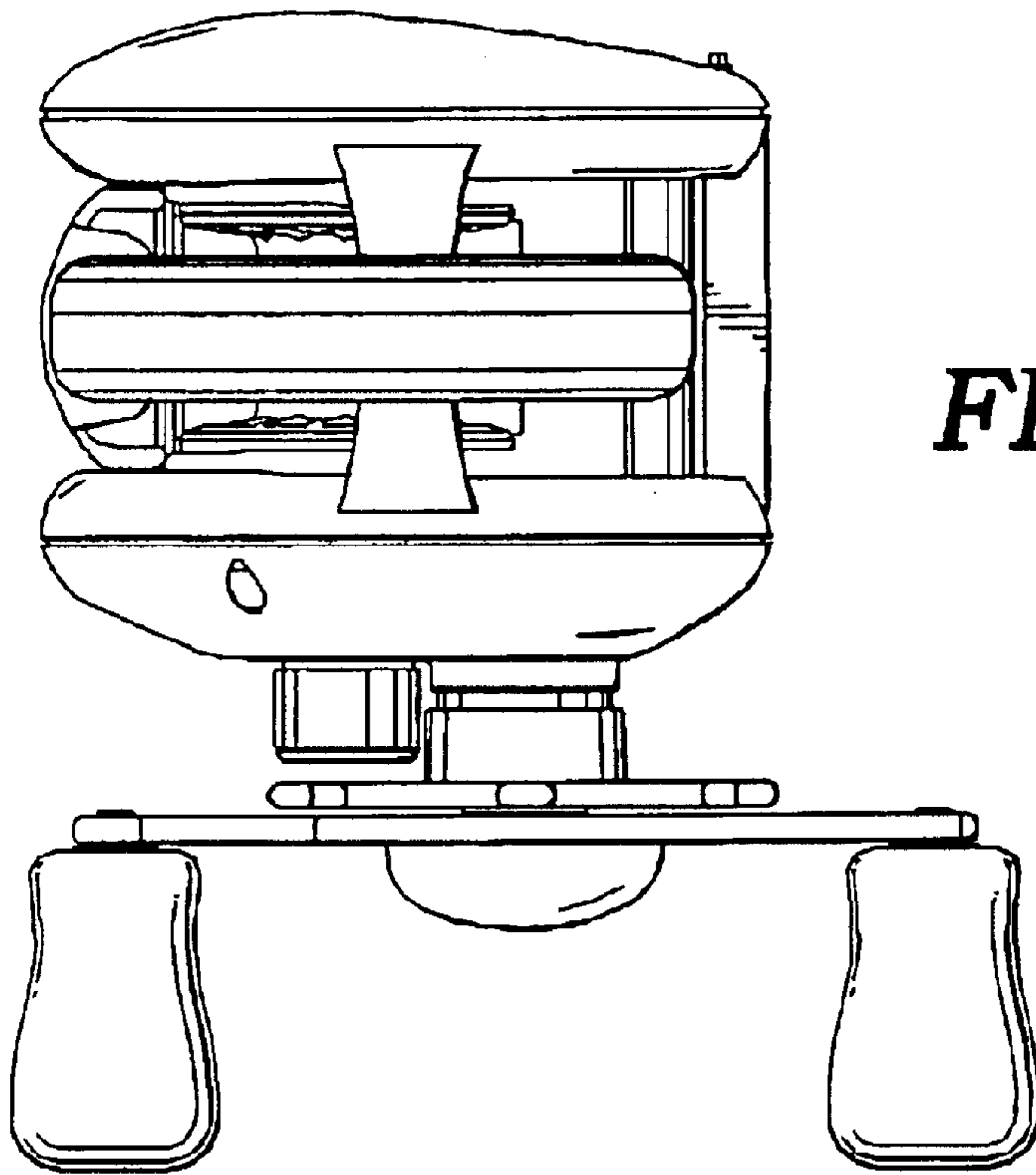


FIG. 3.

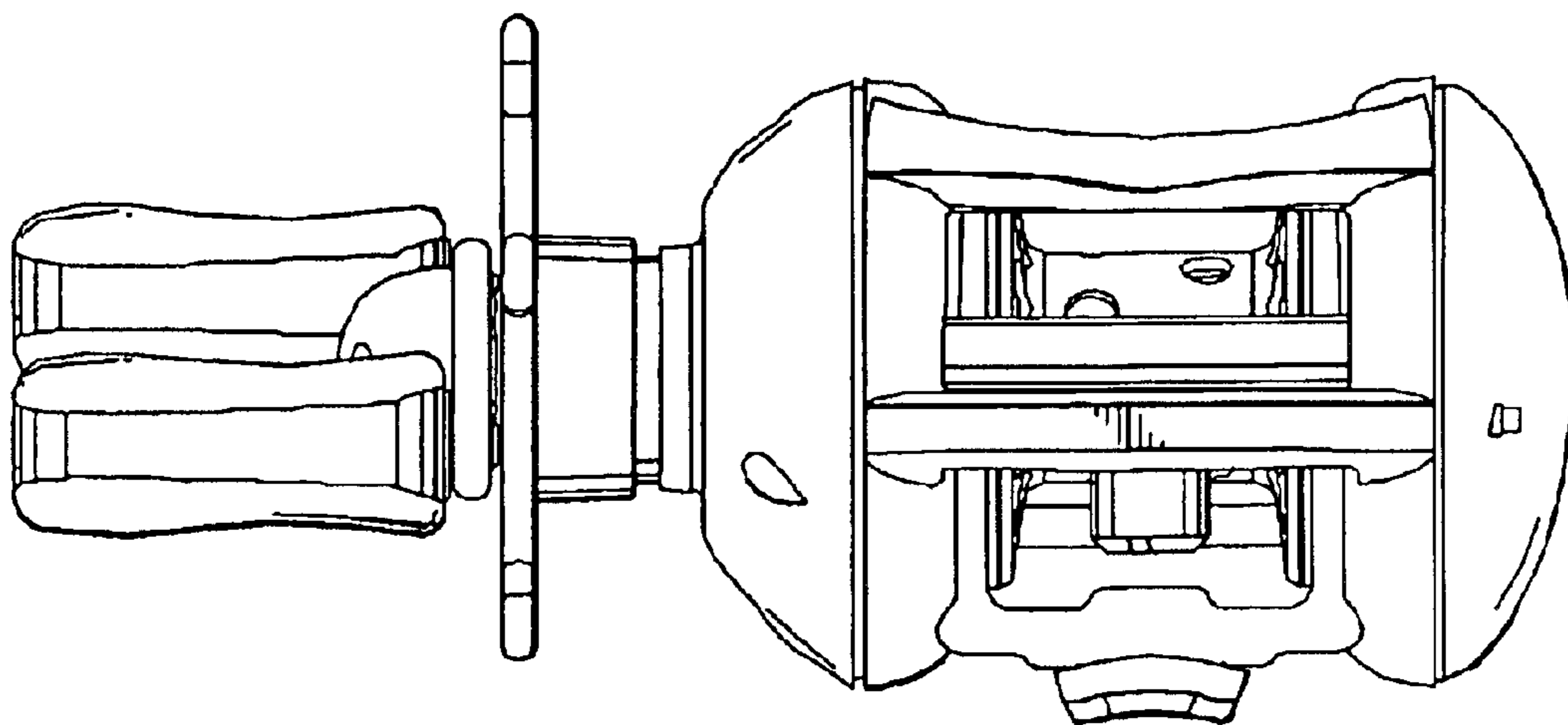


FIG. 4.

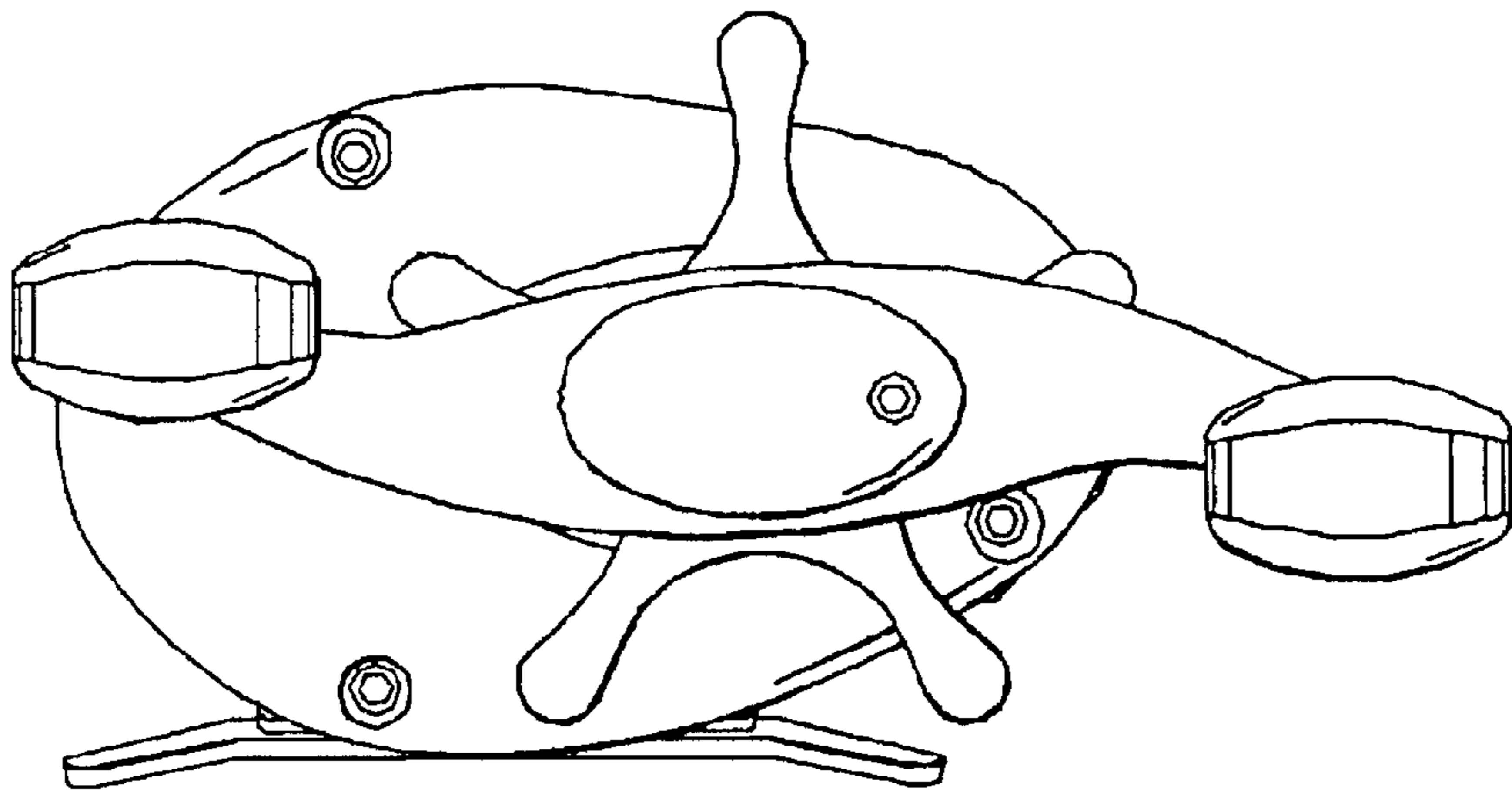


FIG. 5.

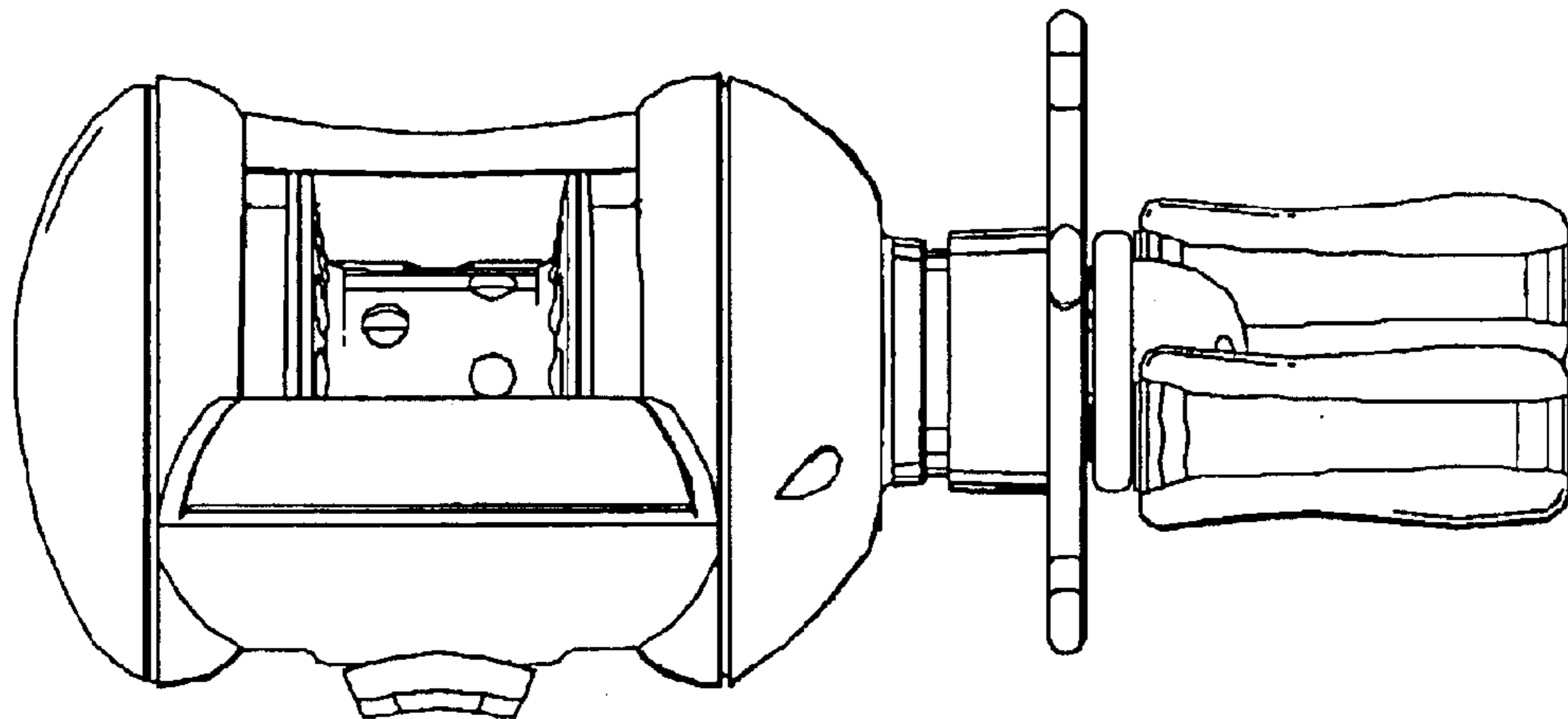


FIG. 6.

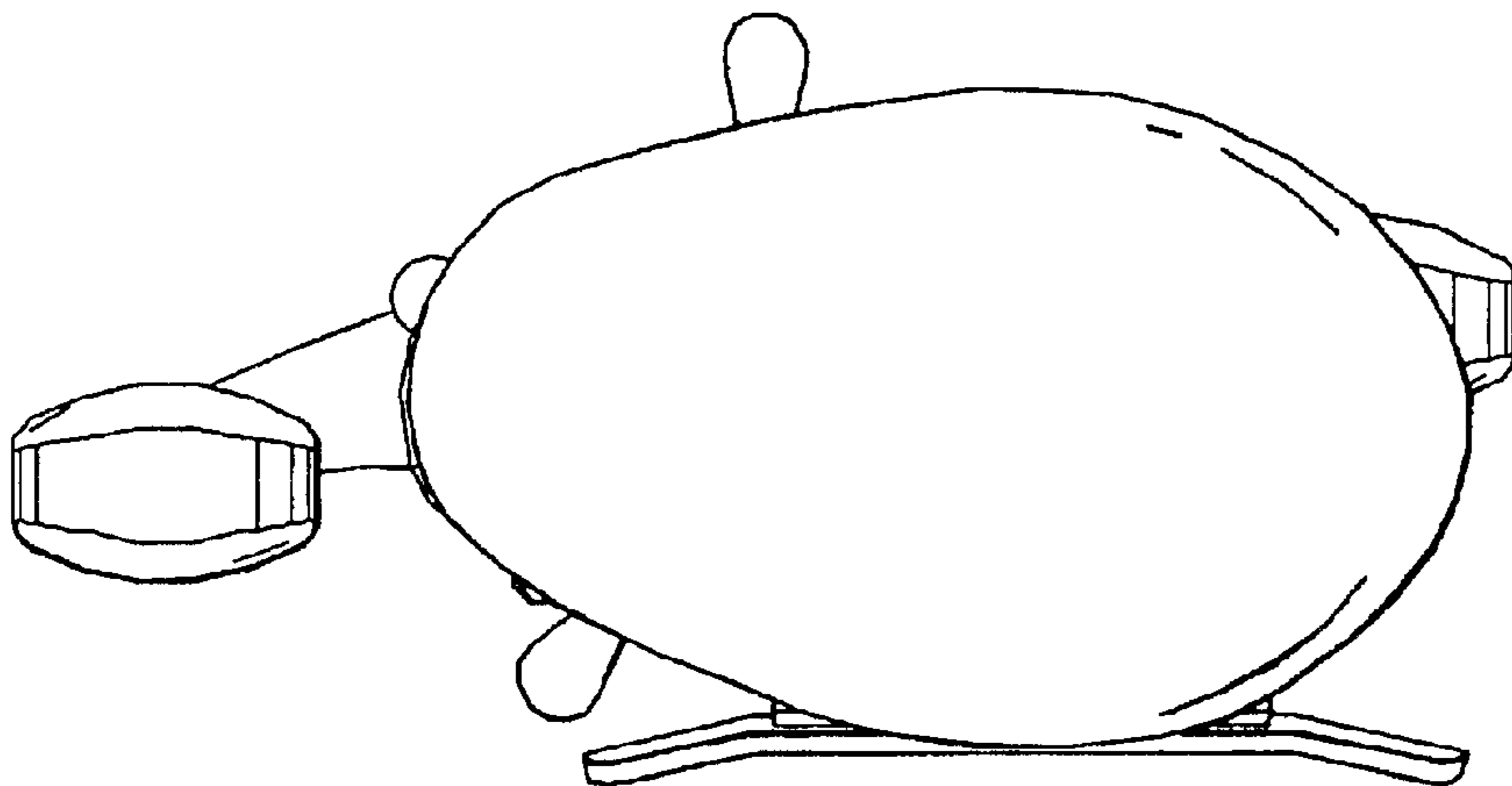


FIG. 7.