

US00D500544S

(12) **United States Design Patent**  
**Wu**

(10) **Patent No.:** **US D500,544 S**  
(45) **Date of Patent:** **\*\* Jan. 4, 2005**

(54) **GOLF EXERCISER**

D459,426 S \* 6/2002 Wang ..... D21/791

(76) Inventor: **Ming-Che Wu**, No. 651-11, Shin Sheng Rd., Chia-Yi City (TW)

\* cited by examiner

*Primary Examiner*—Mitchell Siegel

(\*\*) Term: **14 Years**

(57) **CLAIM**

(21) Appl. No.: **29/196,474**

The ornamental design for a golf exerciser, as shown and described.

(22) Filed: **Dec. 29, 2003**

**DESCRIPTION**

(51) **LOC (7) Cl.** ..... **21-02**

FIG. 1 is a perspective view of a golf exerciser showing my design;

(52) **U.S. Cl.** ..... **D21/791**

FIG. 2 is a front elevational view thereof;

(58) **Field of Search** ..... D21/789, 791;

FIG. 3 is a rear elevational view thereof;

473/139-149; 206/315.1, 315.9

FIG. 4 is a left side elevational view thereof;

(56) **References Cited**

FIG. 5 is a right side elevational view thereof;

**U.S. PATENT DOCUMENTS**

FIG. 6 is a top plan view thereof; and,

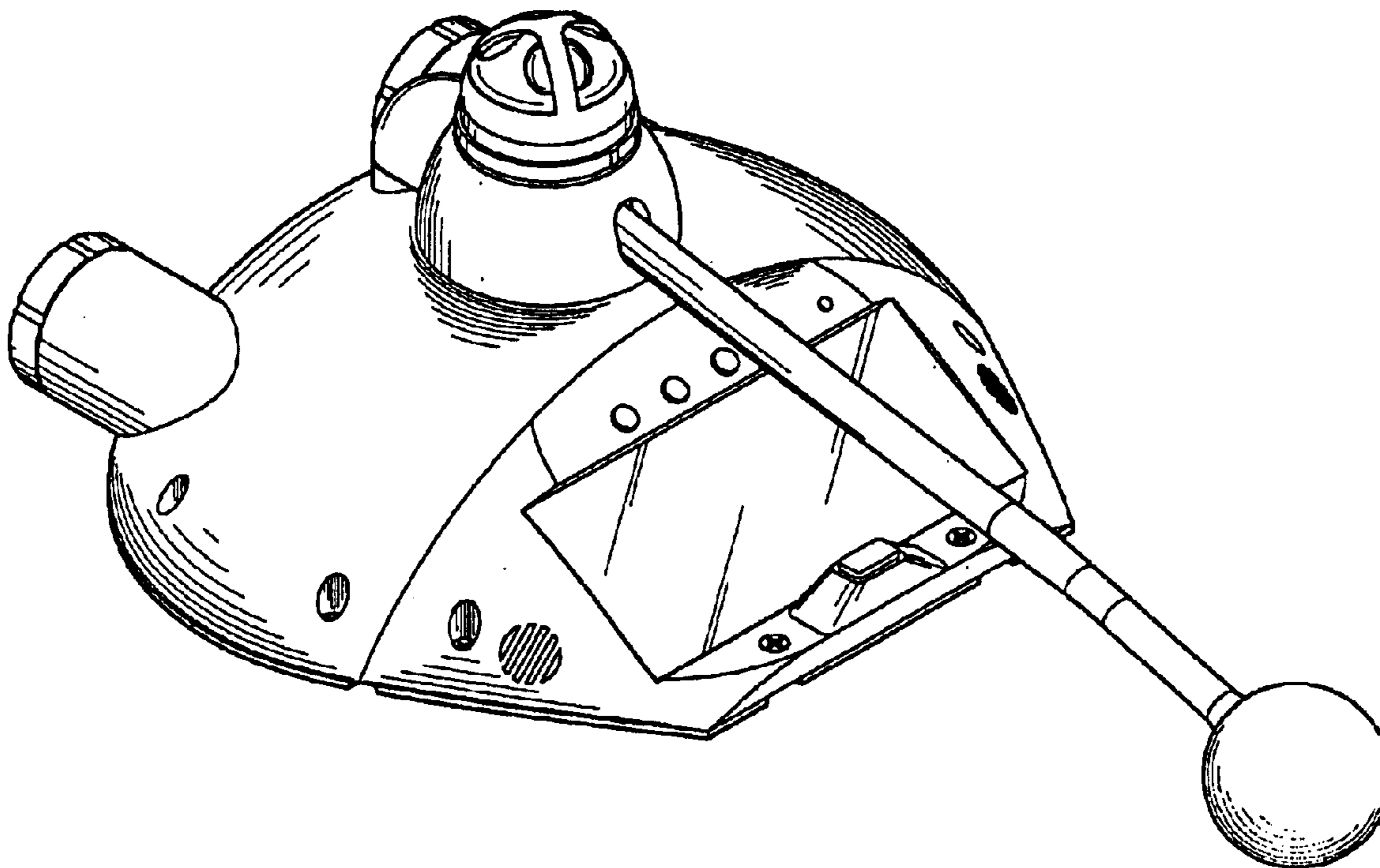
D216,403 S \* 12/1969 Terry ..... D21/791

FIG. 7 is a bottom plan view thereof.

D319,092 S \* 8/1991 Dennesen ..... D21/791

D391,333 S \* 2/1998 Russell et al. .... D21/791

**1 Claim, 4 Drawing Sheets**



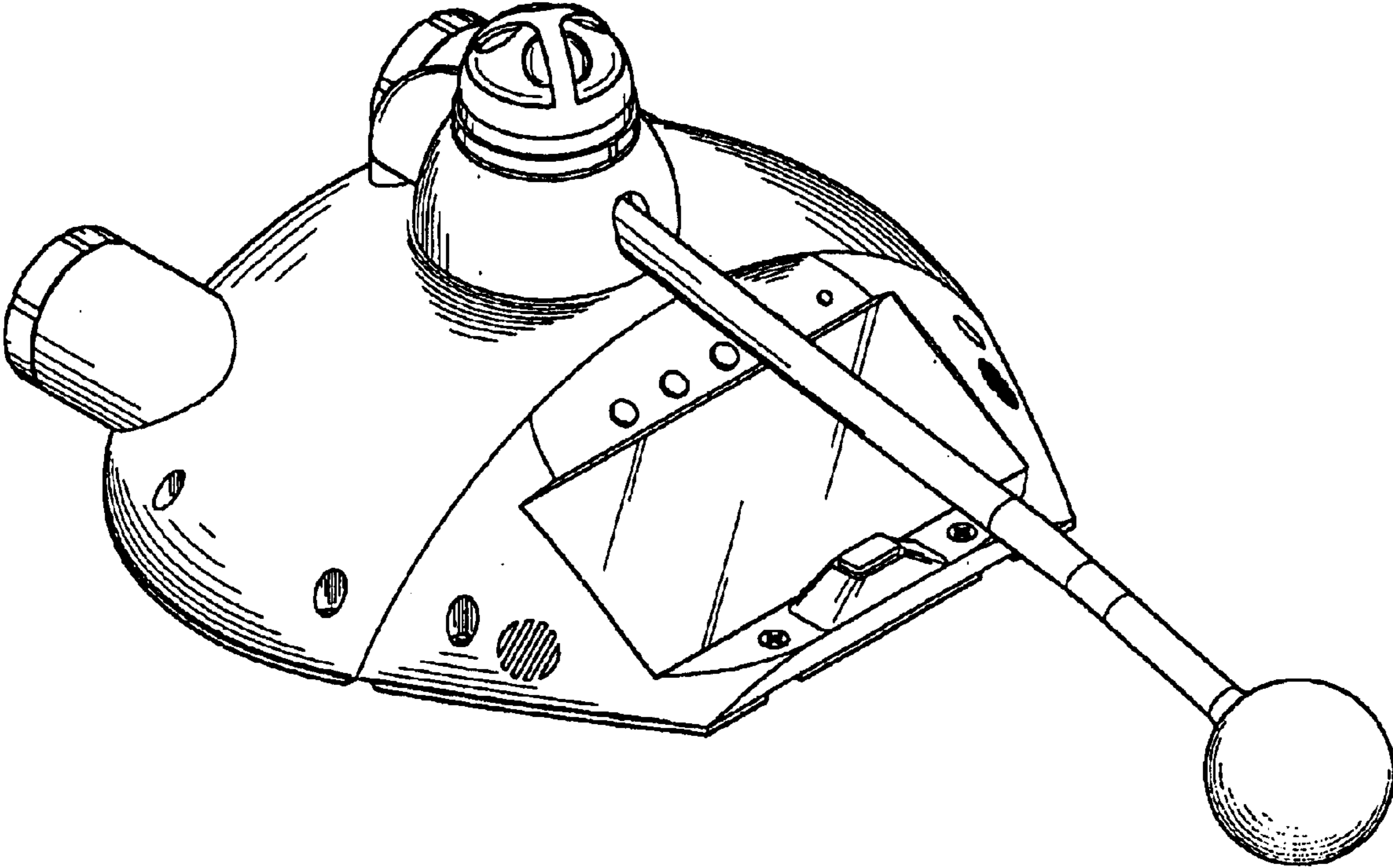


FIG 1

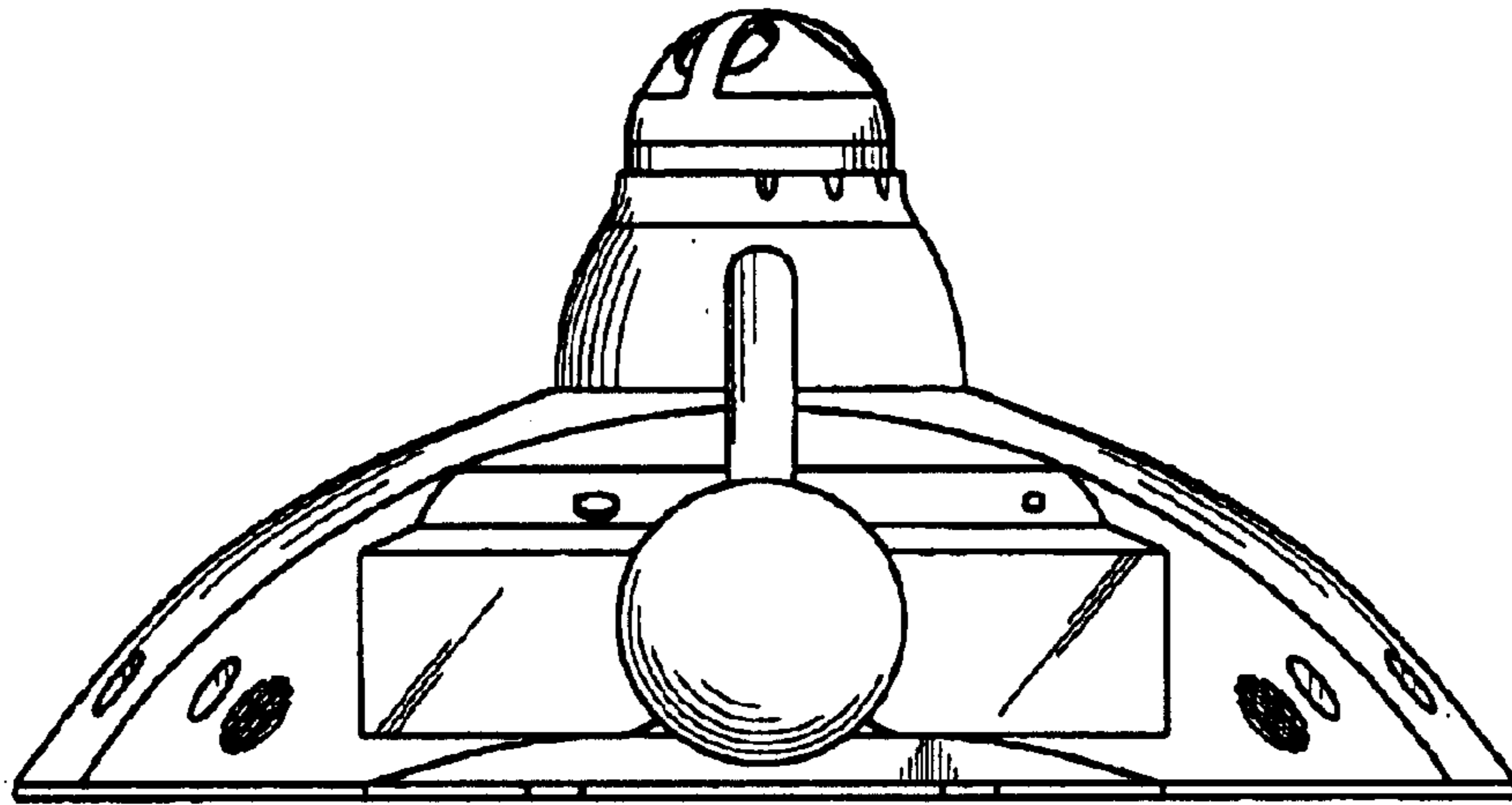


FIG 2

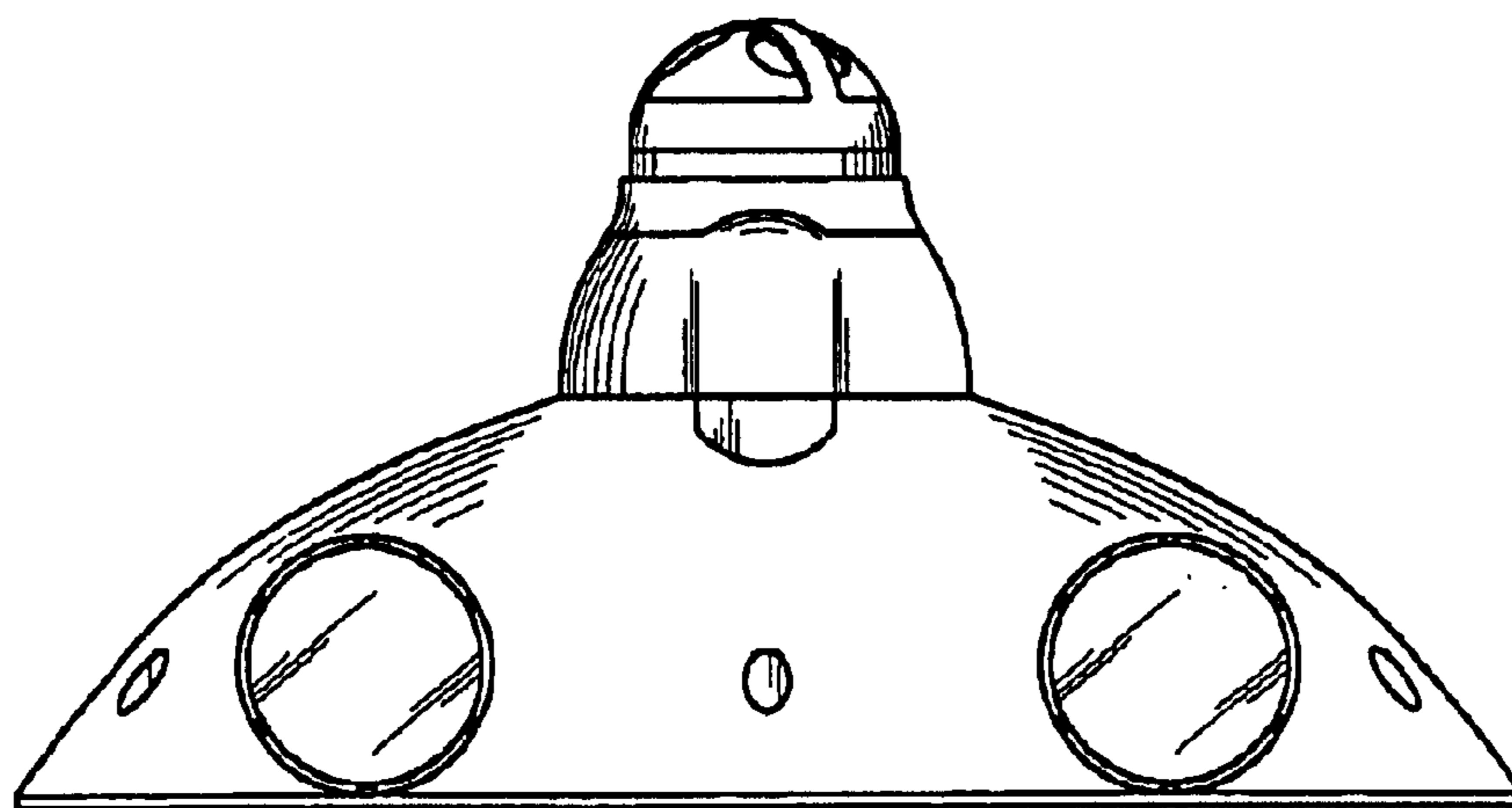


FIG 3

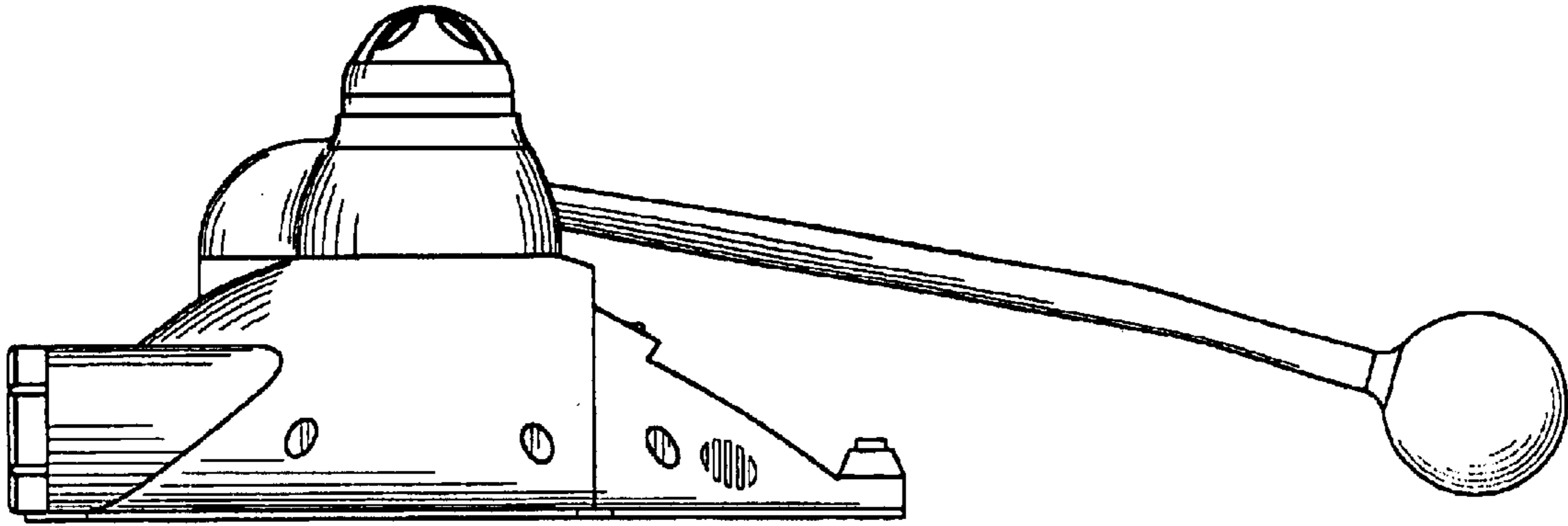


FIG 4

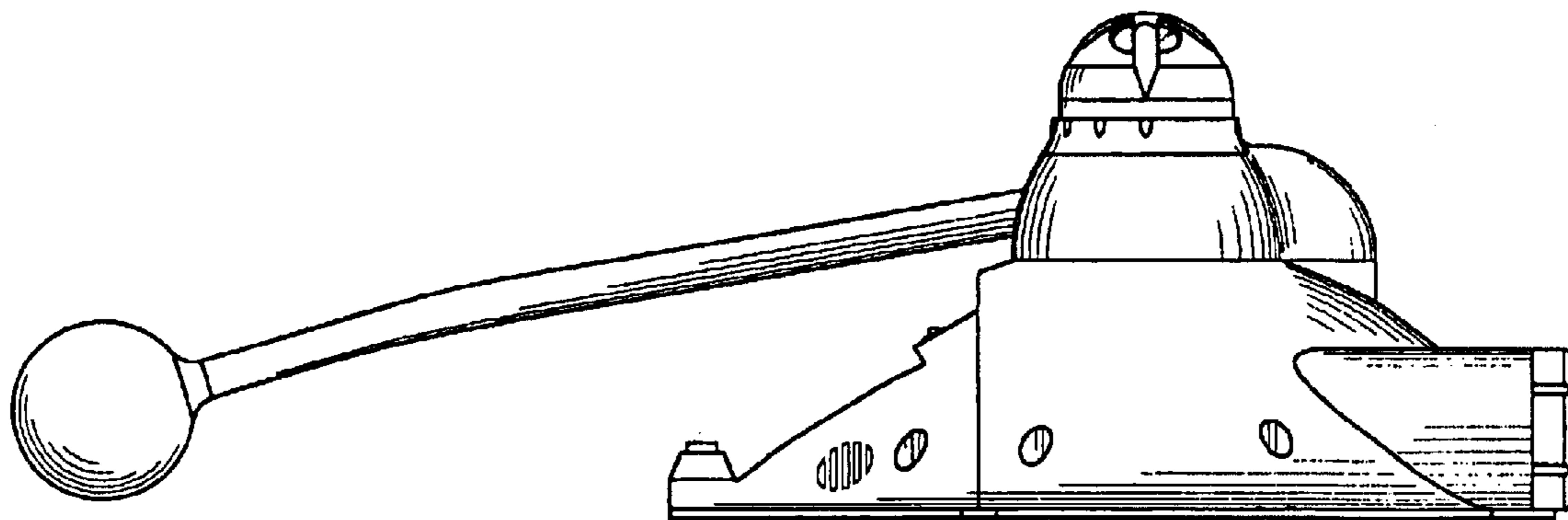


FIG 5

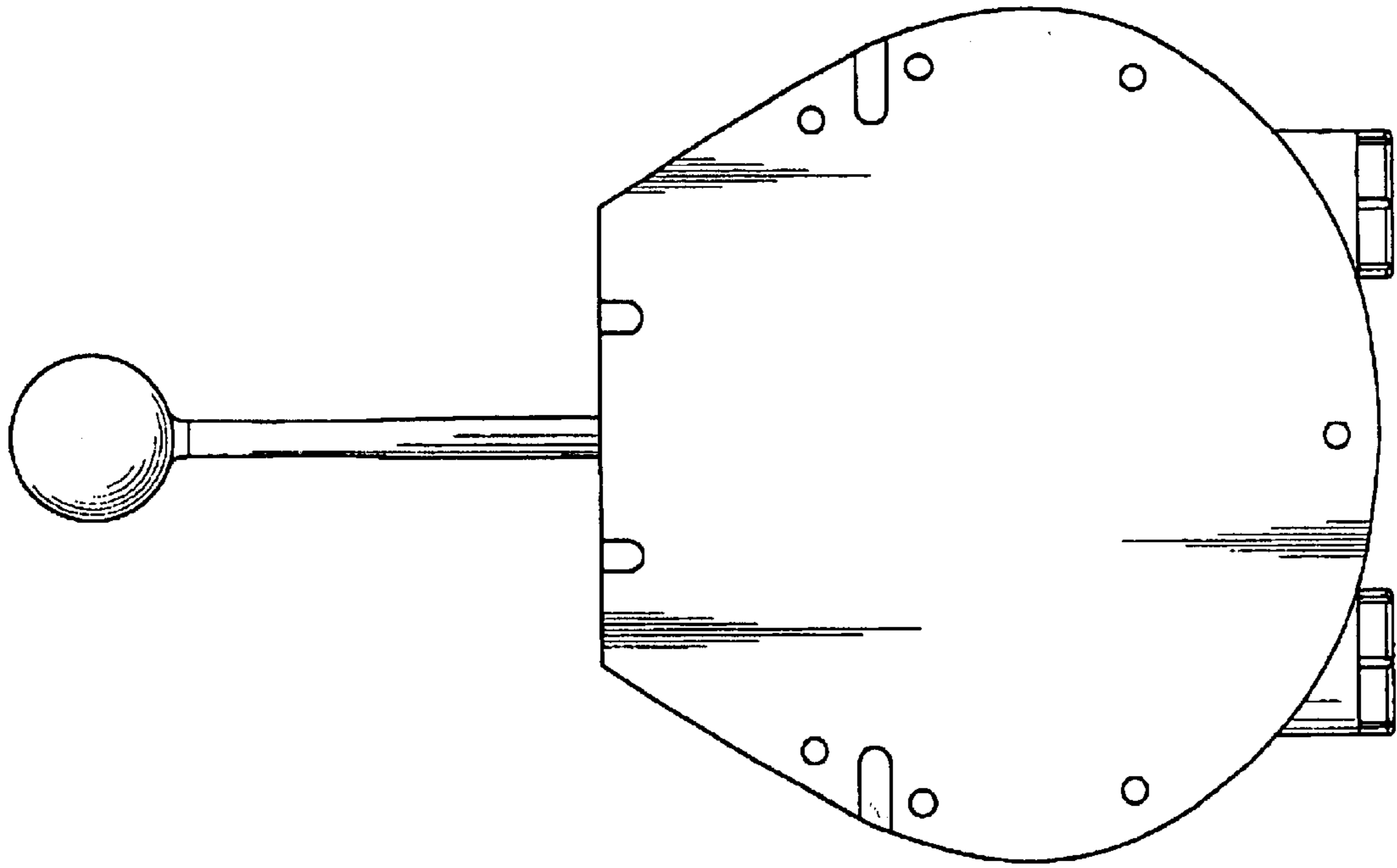


FIG 7

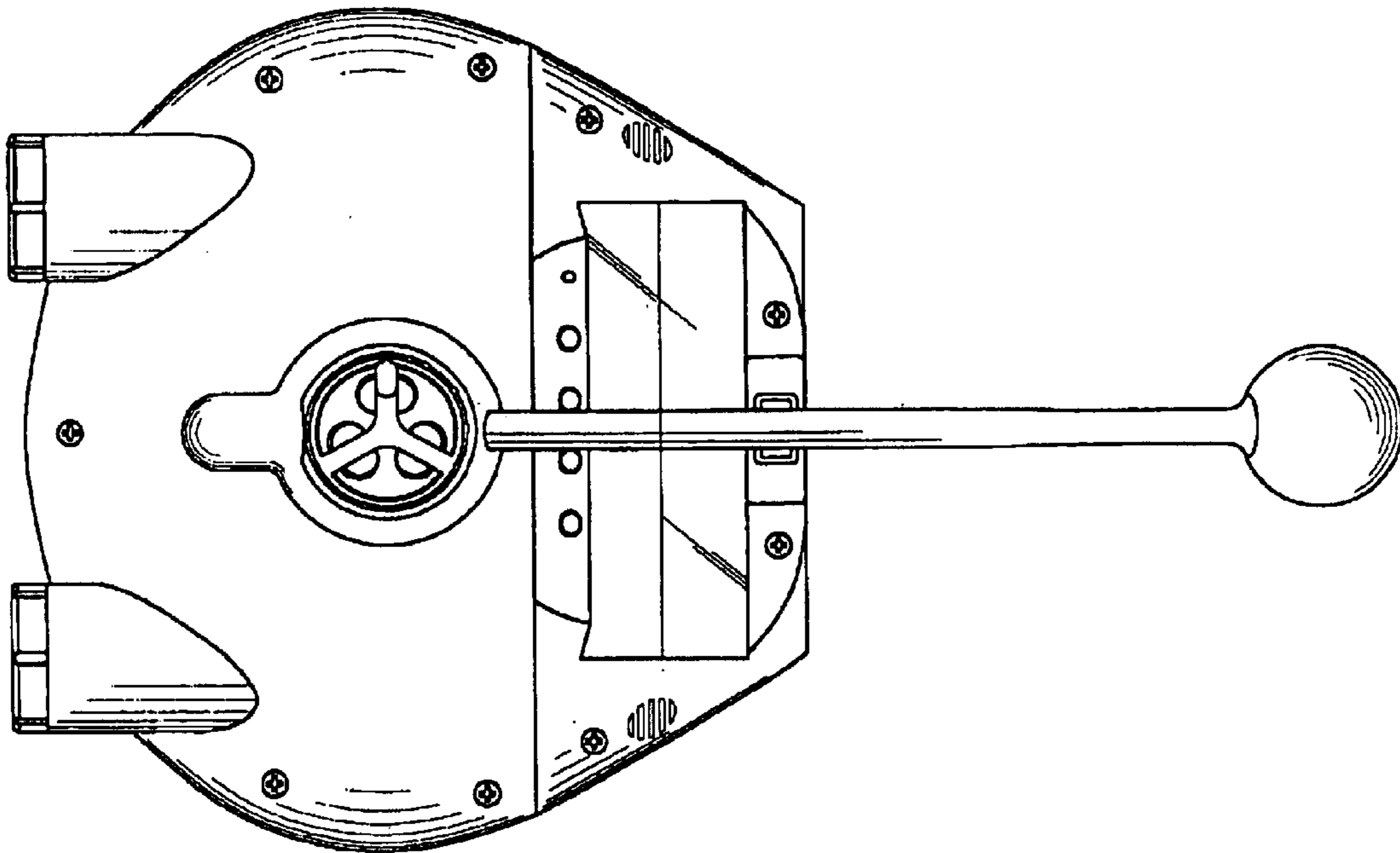


FIG 6