



US00D500543S

(12) **United States Design Patent**
Stein

(10) **Patent No.:** **US D500,543 S**
(45) **Date of Patent:** **** Jan. 4, 2005**

(54) **BILLIARD TABLE**
(75) **Inventor:** **Sanford B. Stein**, Minnetonka, MN
(US)
(73) **Assignee:** **Brunswick Bowling & Billiards**
Corporation, Muskegon, MI (US)
(**) **Term:** **14 Years**

D219,390 S 12/1970 Johnson
D230,491 S 2/1974 Heiss
D259,651 S 6/1981 Kaye
4,840,376 A * 6/1989 Garret 473/1
D319,279 S 8/1991 Kaye
D319,484 S 8/1991 Hull et al.
5,161,797 A 11/1992 Frasca
D348,916 S 7/1994 Powers
6,709,341 B1 * 3/2004 Giles 473/4

* cited by examiner

(21) **Appl. No.:** **29/179,593**
(22) **Filed:** **Apr. 11, 2003**

Primary Examiner—Prabhakar Deshmukh
(74) *Attorney, Agent, or Firm*—Dykema Gossett PLLC

(51) **LOC (7) Cl.** **06-03**
(52) **U.S. Cl.** **D21/784**
(58) **Field of Search** D21/782–784;
473/1, 4, 6, 7, 10, 28, 29; D6/480

(57) **CLAIM**

The ornamental design for a billiard table, as shown and described.

(56) **References Cited**

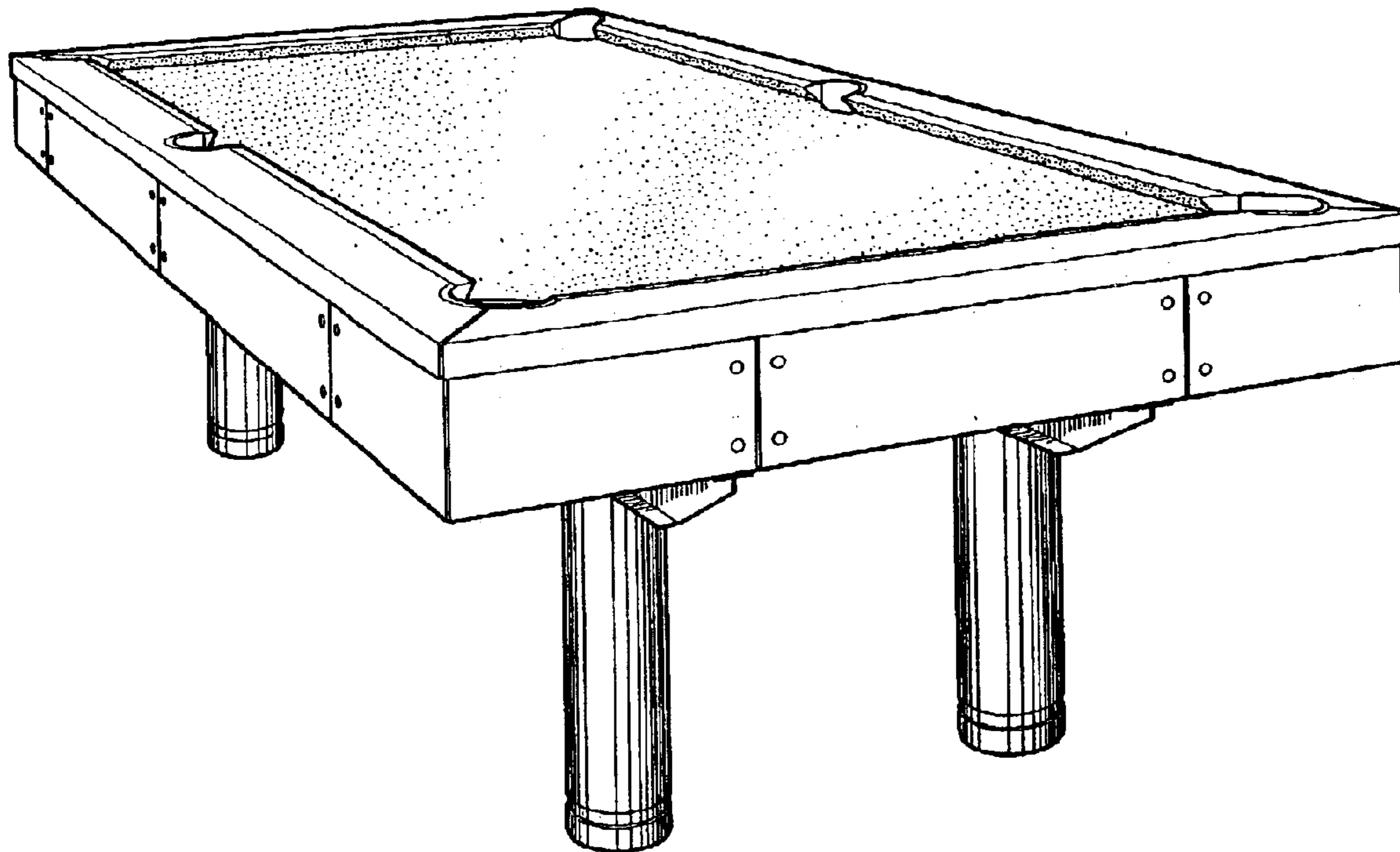
DESCRIPTION

U.S. PATENT DOCUMENTS

187,878 A 2/1877 Marsden
D42,466 S * 5/1912 Hine D21/784
D43,465 S 1/1913 Maher
1,792,166 A * 2/1931 Horstmann 116/224
D109,825 S * 5/1938 Wendt D21/784
D122,580 S 9/1940 Wendt
D148,119 S 12/1947 Anderson et al.
D204,276 S 4/1966 Braun
D208,257 S 8/1967 Kotler

FIG. 1 is a perspective view of a billiard table, showing my new design;
FIG. 2 is a right-hand side elevational view, wherein the left-hand side elevational view is substantially identical;
FIG. 3 is an end elevational view, wherein the opposite end elevational view is substantially identical;
FIG. 4 is a top plan view; and,
FIG. 5 is a bottom plan view thereof.

1 Claim, 4 Drawing Sheets



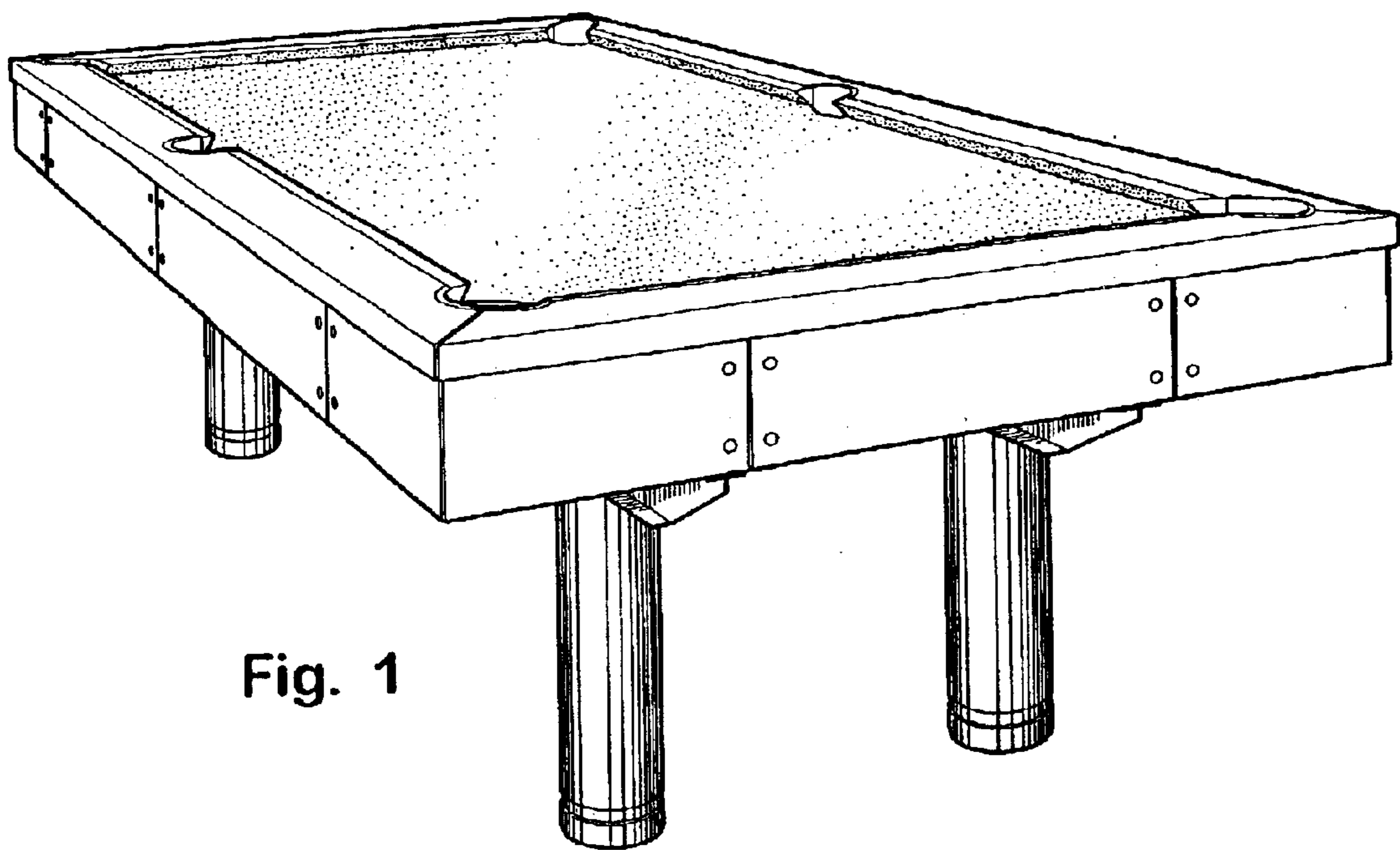


Fig. 1

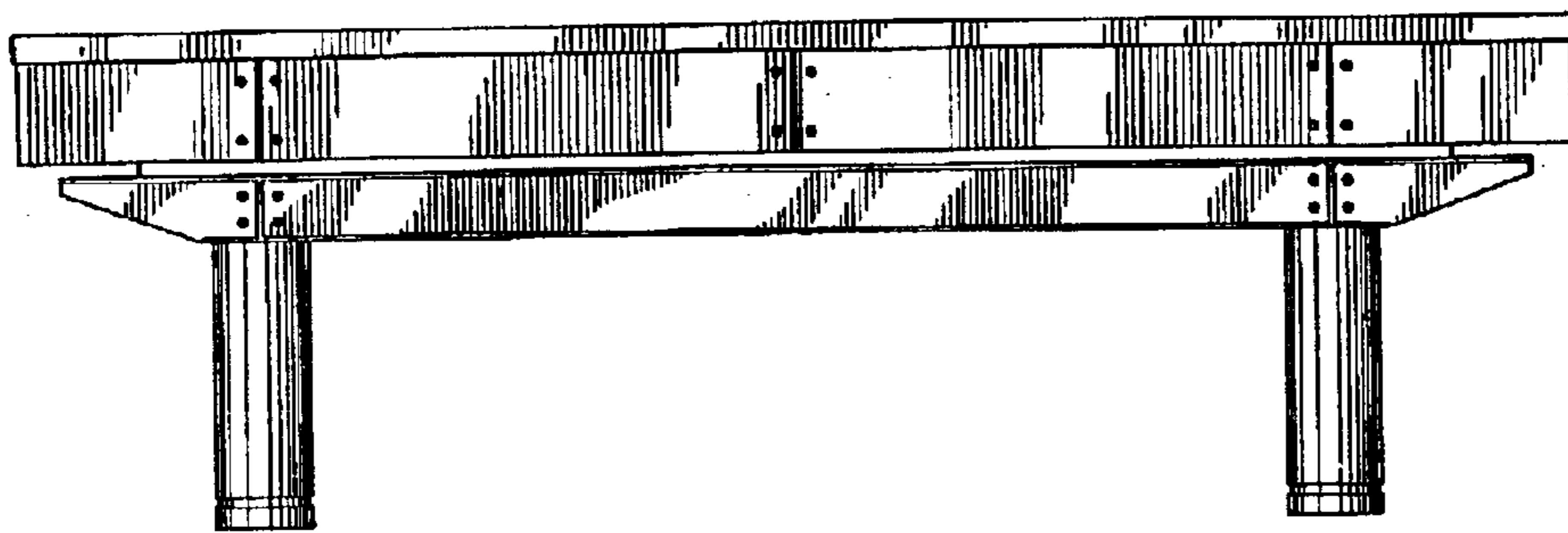


Fig. 2

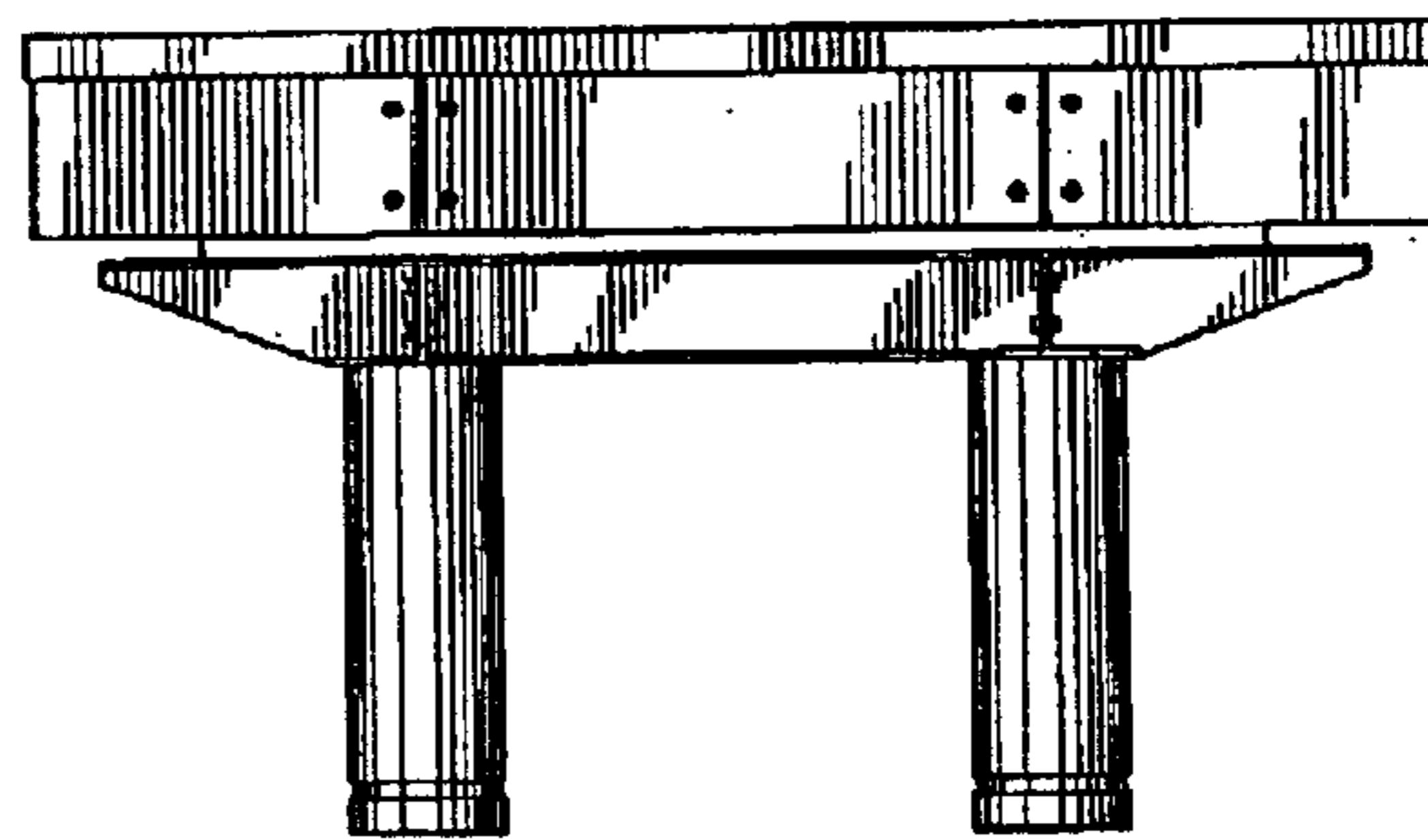


Fig. 3

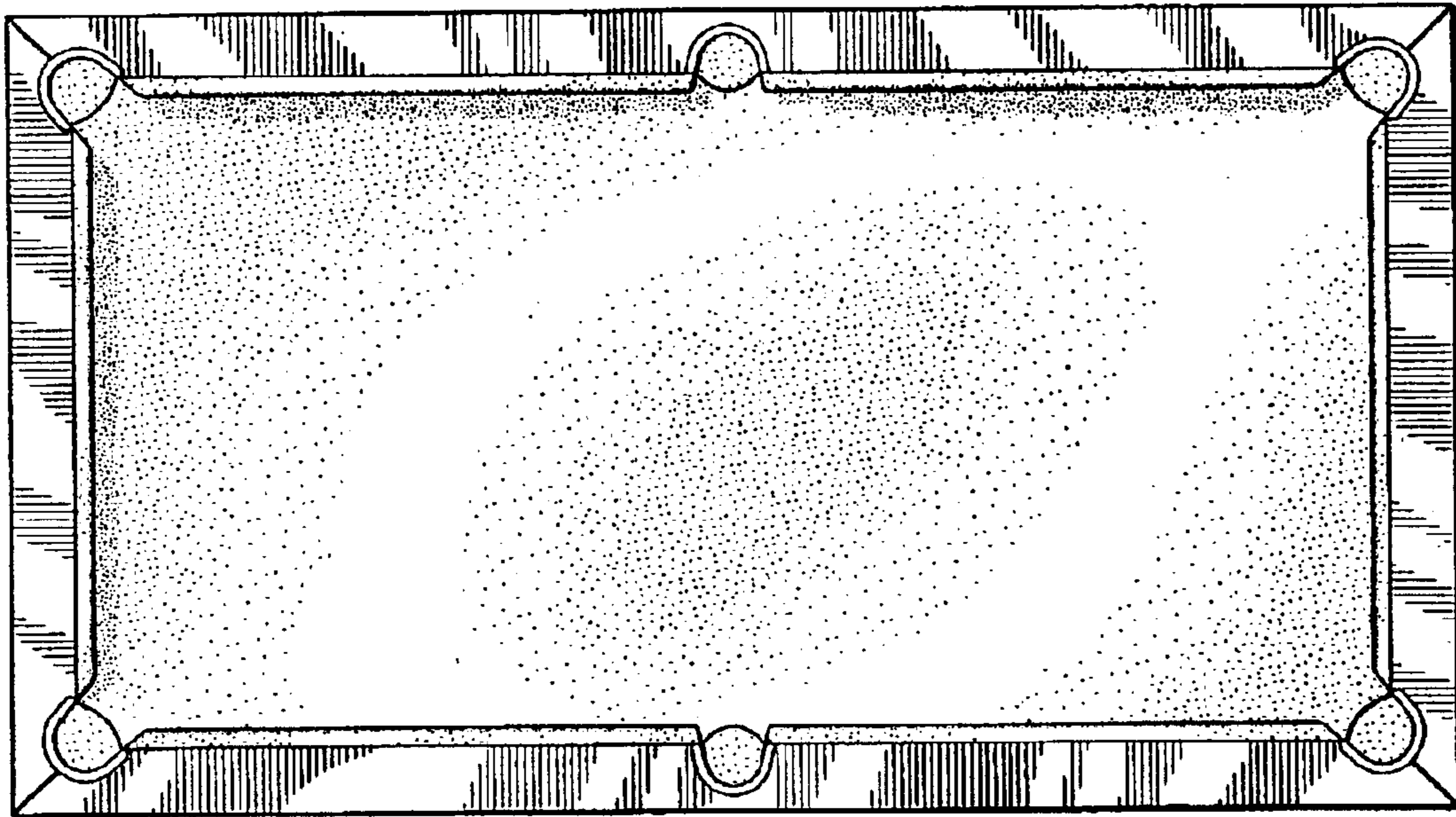


Fig. 4

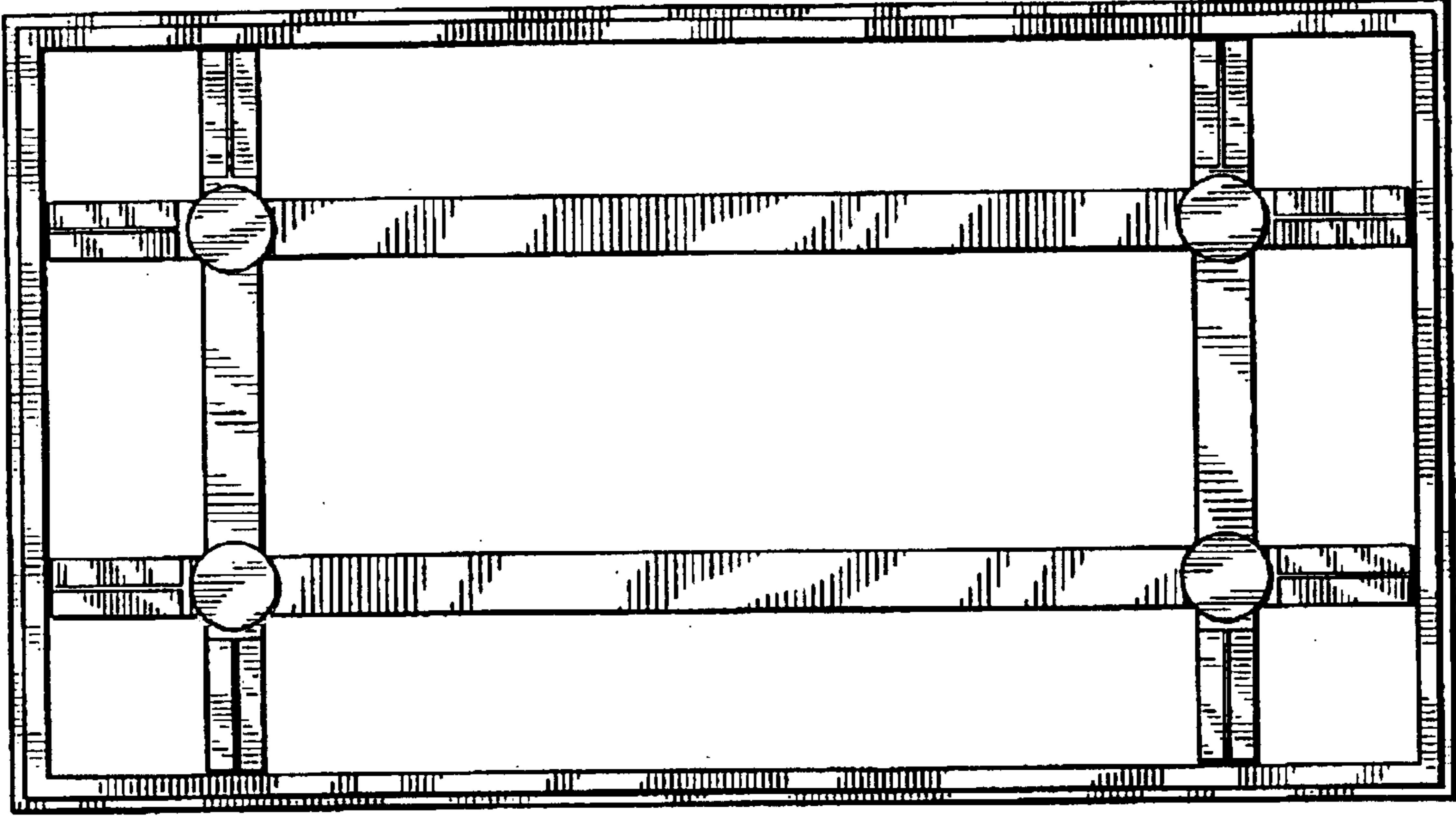


Fig. 5