

US00D500539S

(12) **United States Design Patent**
Holloway

(10) **Patent No.:** **US D500,539 S**
(45) **Date of Patent:** **** Jan. 4, 2005**

(54) **GOLF PUTTER HEAD**

D486,541 S * 2/2004 Bettinardi D21/738

(76) Inventor: **Jake Holloway**, P.O. Box 555,
Elverson, PA (US) 19520

* cited by examiner

Primary Examiner—Mitchell Siegel

(**) Term: **14 Years**

(74) *Attorney, Agent, or Firm*—Gregory J. Gore

(21) Appl. No.: **29/194,131**

(57) **CLAIM**

(22) Filed: **Nov. 20, 2003**

The ornamental design for a golf putter head, as shown and described.

(51) **LOC (7) Cl.** **21-02**

DESCRIPTION

(52) **U.S. Cl.** **D21/736**

(58) **Field of Search** D21/736-746;
473/324-331, 340, 341, 251-256

FIG. 1 is an isometric view showing my new design for a golf putter head;

FIG. 2 is a top view thereof;

FIG. 3 is a front view thereof;

FIG. 4 is a rear view thereof;

FIG. 5 is a side view thereof; and,

FIG. 6 is a bottom view thereof.

(56) **References Cited**

U.S. PATENT DOCUMENTS

D357,519 S * 4/1995 Ellickson et al. D21/738

5,700,207 A * 12/1997 Guthrie et al. 473/313

D486,540 S * 2/2004 Bettinardi D21/738

1 Claim, 2 Drawing Sheets

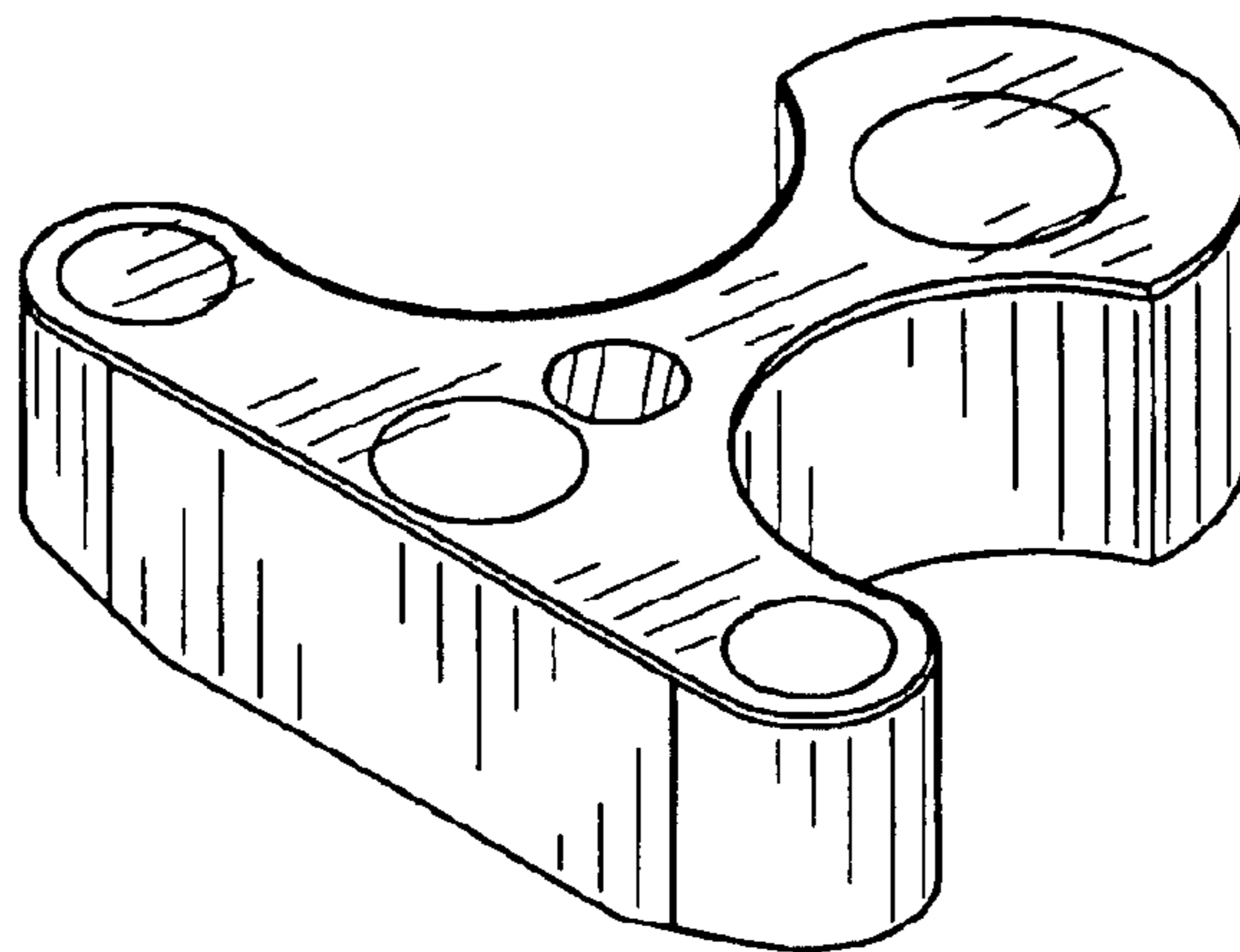


FIG. 1

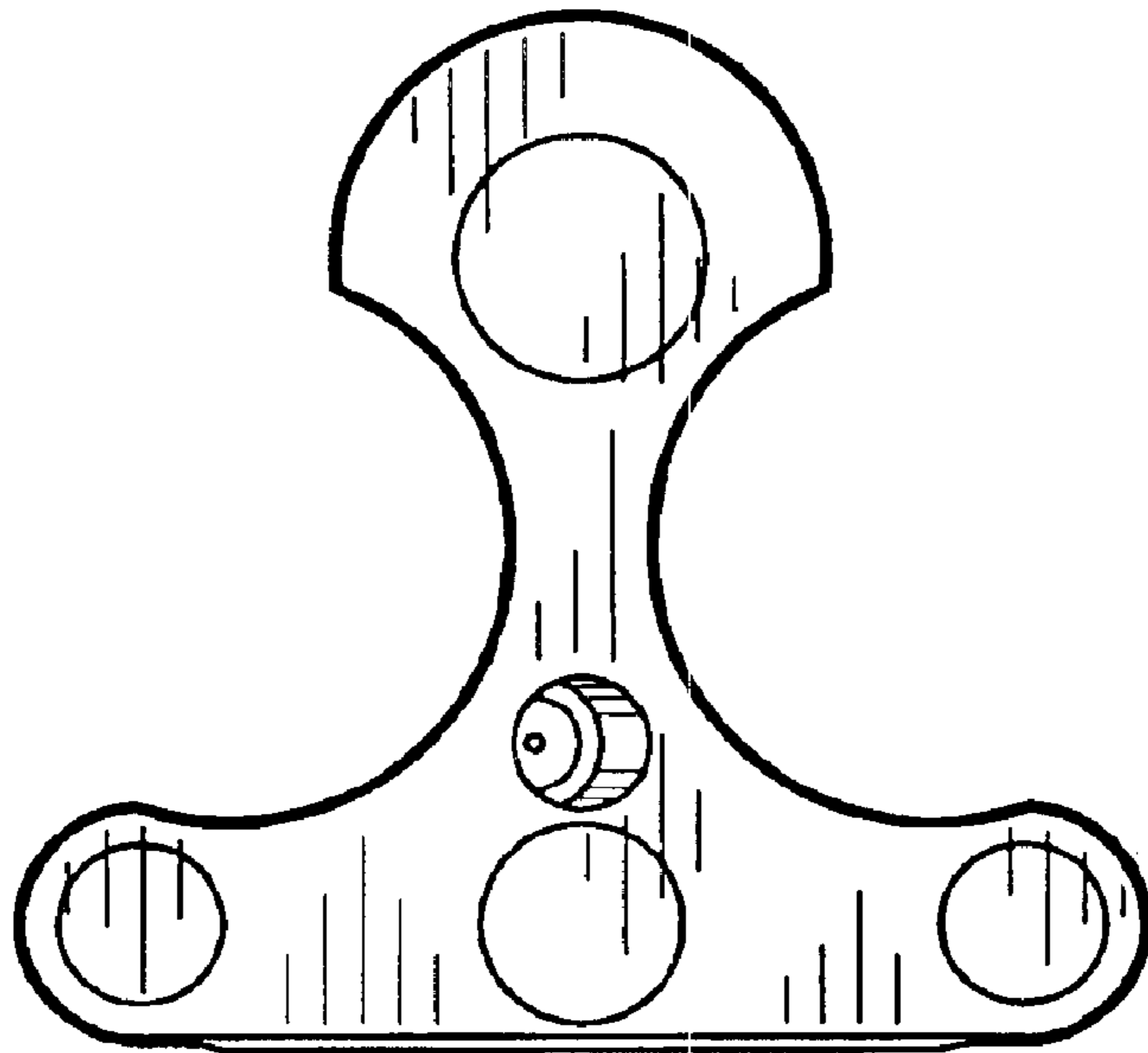
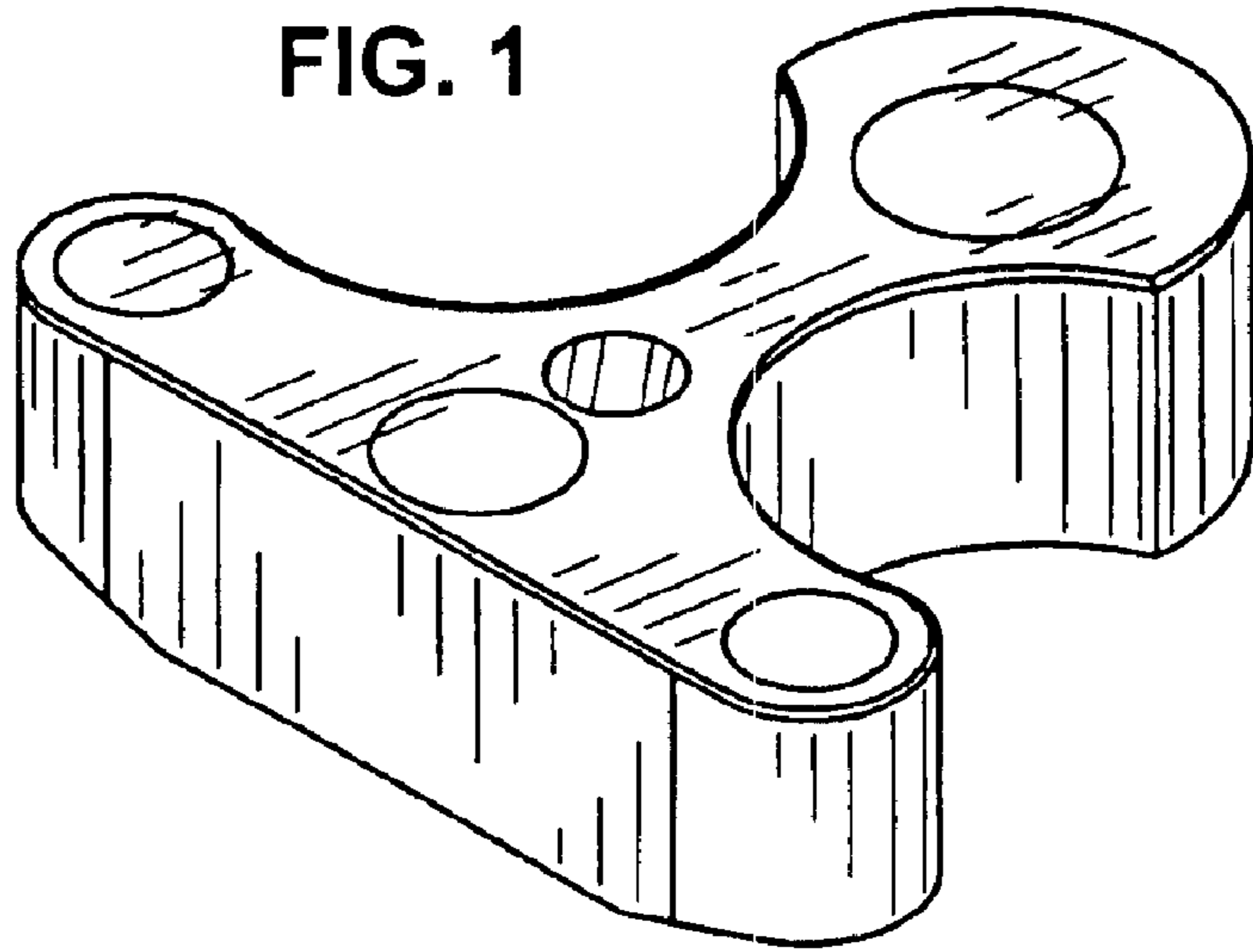


FIG. 2



FIG. 3

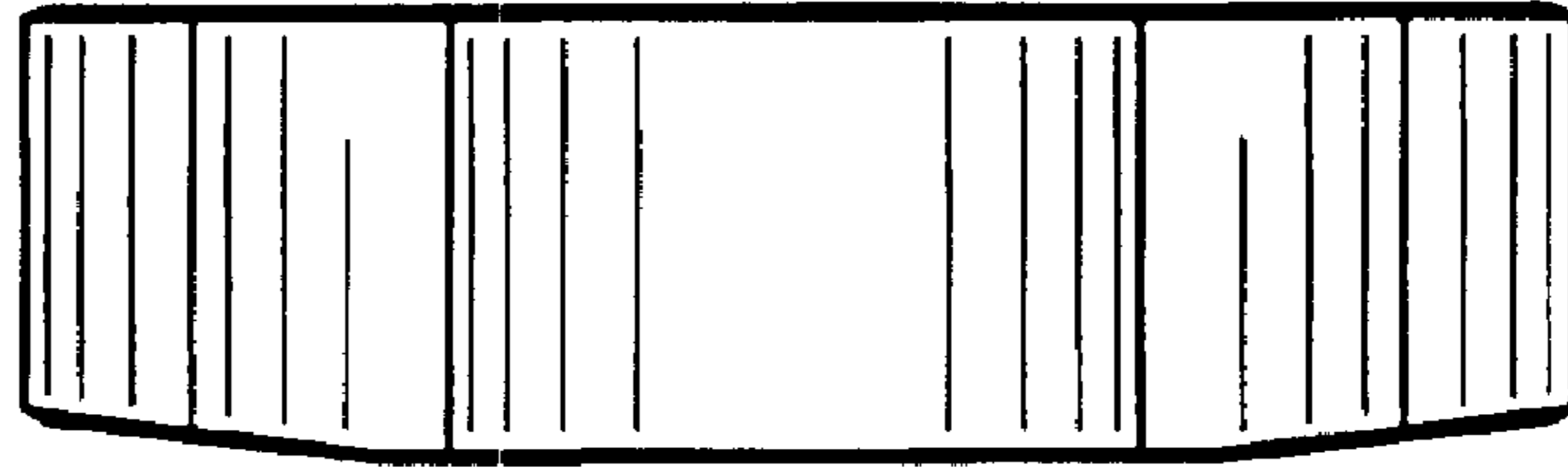


FIG. 4

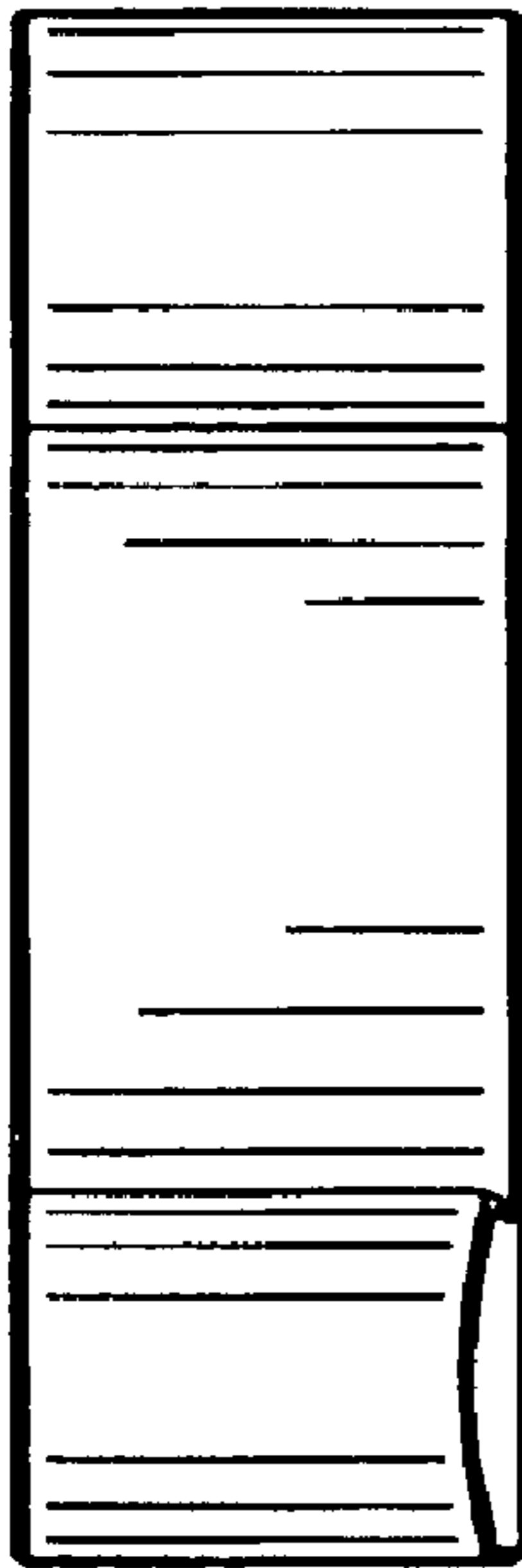


FIG. 5

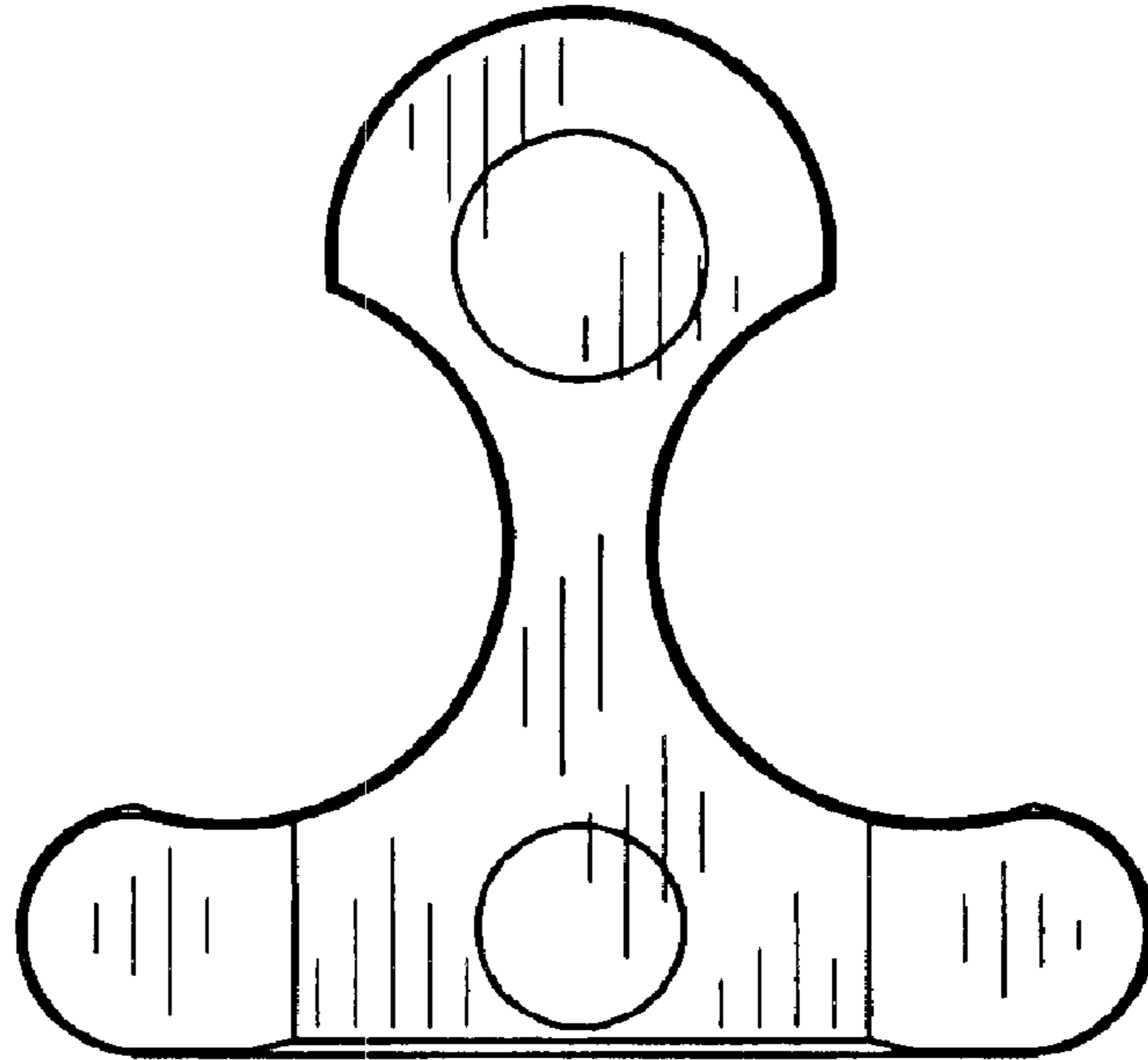


FIG. 6